



**GENERAL CATALOGUE**

 **PEDROLLO**<sup>®</sup>  
*... the spring of life*



**PEDROLLO S.p.A.**

Via Enrico Fermi 7

37047 San Bonifacio (Verona) ITALY

paid-up capital € 40.000.000,00

Tel. +39 045 6136311

Fax +39 045 7614663

e-mail: [sales@pedrollo.com](mailto:sales@pedrollo.com)

[www.pedrollo.com](http://www.pedrollo.com)



### PERFORMANCE RANGE

- Flow rate up to **400 l/min** (24 m<sup>3</sup>/h)
- Head up to **27 m**

### APPLICATION LIMITS

- **5 m** maximum immersion depth
- Maximum liquid temperature **+40 °C**
- Solids passage:
  - up to **Ø 10 mm** for D6-D8-D10-D15
  - up to **Ø 6 mm** for D18-D20
  - up to **Ø 3 mm** for D30
- Suction level:
  - **23 mm** above ground level for D6-D8-D10-D18-D20
  - **15 mm** above ground level for D15-D30
- **220 mm** minimum immersion depth for continuous service

### CONSTRUCTION AND SAFETY STANDARDS

- Complete with **5 m** long power cable
- Float switch for single-phase versions

EN 60335-1  
IEC 60335-1  
CEI 61-150

EN 60034-1  
IEC 60034-1  
CEI 2-3



### CERTIFICATIONS



### INSTALLATION AND USE

Designed to pump **clear or slightly dirty water**, these pumps are suitable for use in domestic, civil and professional applications and in particular for draining flooded areas such as cellars and garages, for draining swimming pools and reservoirs and for the disposal of non-sewage waste water.

These pumps distinguish themselves for their reliability, which can be best appreciated under automatic operating conditions in fixed installations.

### PATENTS - TRADE MARKS - MODELS

- Patent pending n° BO2008A000494, BO2008A000496

### OPTIONALS AVAILABLE ON REQUEST

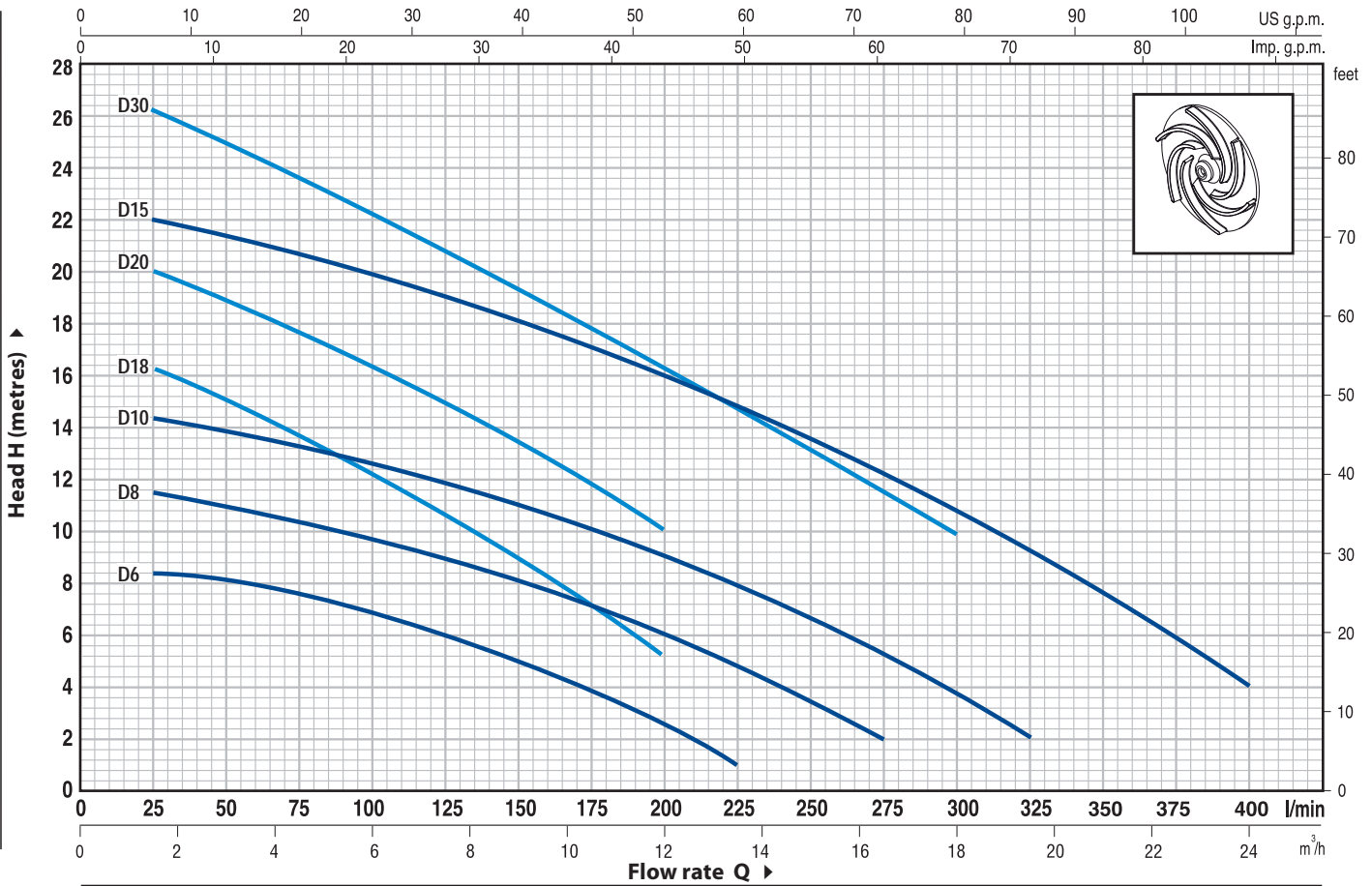
- Pumps with a **10 m** long power cable
  - ⇒ N.B. Standard EN 60335-2-41 states that the power cable must be 10 m long for outdoor applications
- Single-phase pumps without float switch
- Other voltages or 60 Hz frequency

### GUARANTEE

2 years subject to terms and conditions

## CHARACTERISTIC CURVES AND PERFORMANCE DATA

50 Hz n = 2900 1/min

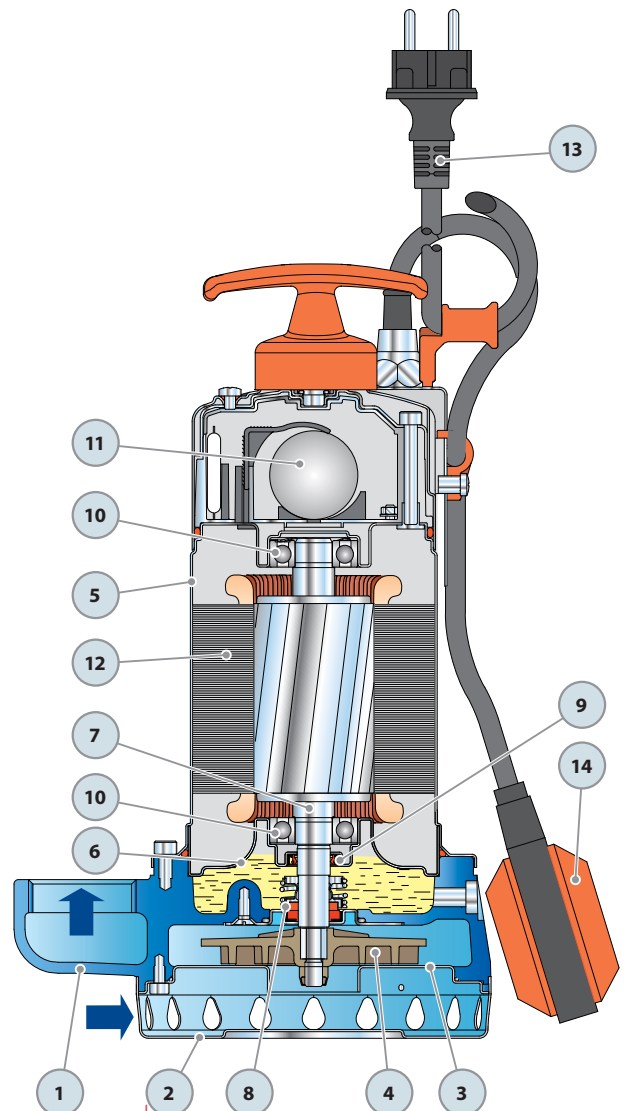


| MODEL        |             | POWER |      | Q        | Flow rate (m³/h) |      |      |      |      |      |      |      |      |      |      |      |      |      |      |      |  |  |  |
|--------------|-------------|-------|------|----------|------------------|------|------|------|------|------|------|------|------|------|------|------|------|------|------|------|--|--|--|
| Single-phase | Three-phase | kW    | HP   |          | 0                | 1.5  | 3.0  | 4.5  | 6.0  | 7.5  | 9.0  | 10.5 | 12.0 | 13.5 | 15.0 | 16.5 | 18.0 | 19.5 | 21.0 | 24.0 |  |  |  |
|              |             |       |      | l/min    | 0                | 25   | 50   | 75   | 100  | 125  | 150  | 175  | 200  | 225  | 250  | 275  | 300  | 325  | 350  | 400  |  |  |  |
| <b>Dm 6</b>  | -           | 0.45  | 0.60 | H metres | 9                | 8.5  | 8    | 7.5  | 6.8  | 6    | 5.2  | 4    | 2.6  | 1    |      |      |      |      |      |      |  |  |  |
| <b>Dm 8</b>  | -           | 0.55  | 0.75 |          | 12               | 11.5 | 11   | 10.5 | 9.8  | 9    | 8.2  | 7.2  | 6    | 4.8  | 3.5  | 2    |      |      |      |      |  |  |  |
| <b>Dm 10</b> | <b>D 10</b> | 0.75  | 1    |          | 15               | 14.5 | 14   | 13.2 | 12.5 | 11.8 | 11   | 10   | 9    | 8    | 6.8  | 5.4  | 3.5  | 2    |      |      |  |  |  |
| <b>Dm 15</b> | <b>D 15</b> | 1.1   | 1.5  |          | 23               | 22   | 21.5 | 20.5 | 20   | 19   | 18   | 17   | 16   | 15   | 13.5 | 12   | 11   | 9    | 7.5  | 4    |  |  |  |
| <b>Dm 18</b> | -           | 0.55  | 0.75 |          | 17               | 16.5 | 15   | 13.5 | 12   | 10.7 | 9    | 7.7  | 5    |      |      |      |      |      |      |      |  |  |  |
| <b>Dm 20</b> | <b>D 20</b> | 0.75  | 1    |          | 21               | 20   | 19   | 17.5 | 16   | 15   | 13.5 | 12   | 10   |      |      |      |      |      |      |      |  |  |  |
| <b>Dm 30</b> | <b>D 30</b> | 1.1   | 1.5  |          | 27               | 26   | 25   | 23.5 | 22   | 21   | 19.5 | 18   | 16   | 14.5 | 13   | 11.5 | 10   |      |      |      |  |  |  |

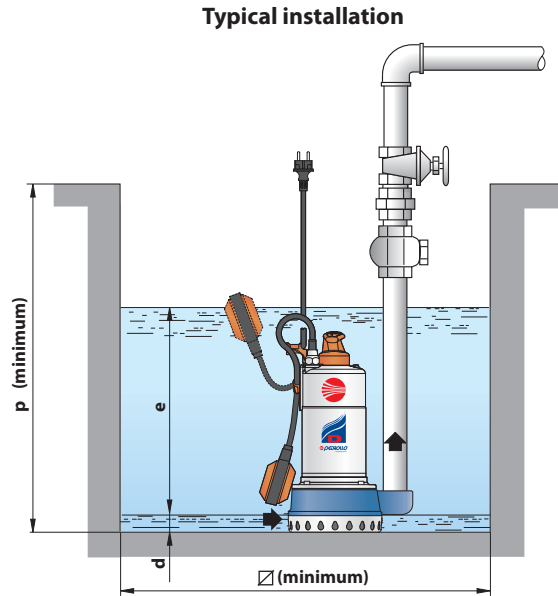
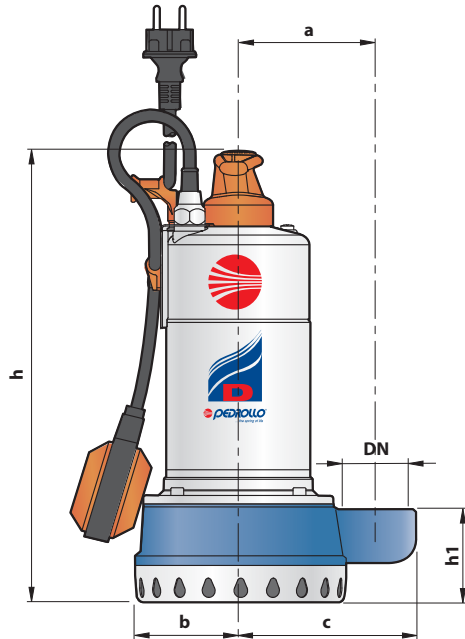
Q = Flow rate H = Total manometric head

Tolerance of characteristic curves in compliance with EN ISO 9906 App. A.

| POS. | COMPONENT   | CONSTRUCTION CHARACTERISTICS                               |  |
|------|---|--|--|
| 1    | PUMP BODY   | Cast iron, with threaded port in compliance with ISO 228/1 |  |
| 2    | SUCTION FILTER  | Stainless steel AISI 304 (with mesh filter for D30)        |  |
| 3    | SUCTION PLATE   | Stainless steel AISI 304                                   |  |
| 4    | IMPELLER  | Technopolymer open type (closed for D30)                   |  |
| 5    | MOTOR CASING  | Stainless steel AISI 304                                   |  |
| 6    | MOTOR CASING PLATE  | Stainless steel AISI 304                                   |  |
| 7    | MOTOR SHAFT   | Stainless steel EN 10088-3 - 1.4104                        |  |
| 8    | <b>SHAFT WITH DOUBLE SEAL AND OIL CHAMBER</b>   |  |  |
|      | <i>Seal</i>   | <i>Shaft</i>   | <i>Materials</i>   |
|      | <i>Model</i>  | <i>Diameter</i>  | <i>Stationary ring</i> <i>Rotational ring</i> <i>Elastomer</i> |
|      | MG1-14 SIC  | Ø 14 mm  | Ceramic    Silicon carbide    NBR                              |
| 9    | LIP SEAL  | Ø 15 x Ø 24 x H 5 mm (Ø 16 x Ø 24 x H 5 mm for D15, D30)   |  |
| 10   | BEARINGS  | 6203 ZZ / 6203 ZZ  |  |
| 11   | <b>CAPACITOR</b>  |  |  |
|      | <i>Pump</i>   | <i>Capacitance</i>   |  |
|      | <i>Single-phase</i>   | <i>(230 V or 240 V)</i> <i>(110 V)</i>                     |  |
|      | Dm6   |  |  |
|      | Dm8   | 20 µF 450 VL   | 30 µF 250 VL   |
|      | Dm10  |  |  |
|      | Dm18  |  |  |
|      | Dm20  |  |  |
|      | Dm15  | 25 µF 450 VL   | -  |
|      | Dm30  |  |  |
| 12   | <b>ELECTRIC MOTOR</b>   |  |  |
|      | - Single-phase 230 V - 50 Hz<br>with thermal overload protector built-in to the winding |  |  |
|      | - Three-phase 400 V - 50 Hz   |  |  |
|      | - Insulation: F class   |  |  |
|      | - Protection: IP 68   |  |  |
| 13   | <b>POWER CABLE</b>  |  |  |
|      | 5 metre long "H07 RN-F" cable<br>(with Schuko plug on single-phase versions only)       |  |  |
| 14   | <b>FLOAT SWITCH</b>   |  |  |
|      | (only for single-phase versions)  |  |  |



## DIMENSIONS AND WEIGHT



| MODEL        |             | PORT<br>DN | DIMENSIONS mm |      |     |     |    |      |          |     |     | kg   |      |
|--------------|-------------|------------|---------------|------|-----|-----|----|------|----------|-----|-----|------|------|
| Single-phase | Three-phase |            | a             | b    | c   | h   | h1 | d    | e        | p   | Ø   | 1~   | 3~   |
| Dm 6         | -           | 1½"        | 105           | 81   | 136 | 352 | 72 | 23   | variable | 500 | 500 | 11.7 | -    |
| Dm 8         | -           |            |               |      |     |     |    |      |          |     |     | 11.7 | -    |
| Dm 10        | D 10        |            |               |      |     |     |    |      |          |     |     | 12.7 | 11.6 |
| Dm 15        | D 15        |            | 14.7          | 13.7 |     |     |    |      |          |     |     |      |      |
| Dm 18        | -           |            | 11.8          | -    |     |     |    |      |          |     |     |      |      |
| Dm 20        | D 20        |            | 13.0          | 11.7 |     |     |    |      |          |     |     |      |      |
| Dm 30        | D 30        | 110        | 90            | 140  | 371 | 85  | 15 | 15.0 | 14.0     |     |     |      |      |

## ABSORPTION

| MODEL        | VOLTAGE (single-phase) |       |        |
|--------------|------------------------|-------|--------|
|              | 230 V                  | 240 V | 110 V  |
| Single-phase |                        |       |        |
| Dm 6         | 2.4 A                  | 2.4 A | 5.2 A  |
| Dm 8         | 3.4 A                  | 3.4 A | 6.9 A  |
| Dm 10        | 5.2 A                  | 5.2 A | 10.5 A |
| Dm 15        | 7.9 A                  | 7.9 A | -      |
| Dm 18        | 3.8 A                  | 3.8 A | 7.2 A  |
| Dm 20        | 5.4 A                  | 5.4 A | 11.0 A |
| Dm 30        | 7.2 A                  | 7.2 A | -      |

| MODEL       | VOLTAGE (three-phase) |       |       |       |
|-------------|-----------------------|-------|-------|-------|
|             | 230 V                 | 400 V | 240 V | 415 V |
| Three-phase |                       |       |       |       |
| D 10        | 3.6 A                 | 2.1 A | 3.6 A | 2.1 A |
| D 15        | 6.0 A                 | 3.5 A | 6.0 A | 3.5 A |
| D 20        | 3.6 A                 | 2.1 A | 3.6 A | 2.1 A |
| D 30        | 6.0 A                 | 3.5 A | 6.0 A | 3.5 A |

## PALLETIZATION

| MODEL        |             | GROUPAGE |        |     |     | CONTAINER |        |      |      |
|--------------|-------------|----------|--------|-----|-----|-----------|--------|------|------|
| Single-phase | Three-phase | n° pumps | H (mm) | kg  |     | n° pumps  | H (mm) | kg   |      |
|              |             |          |        | 1~  | 3~  |           |        | 1~   | 3~   |
| Dm 6         | -           | 60       | 1310   | 721 | -   | 100       | 2090   | 1190 | -    |
| Dm 8         | -           | 60       | 1310   | 720 | -   | 100       | 2090   | 1190 | -    |
| Dm 10        | D 10        | 60       | 1310   | 780 | 711 | 100       | 2090   | 1288 | 1174 |
| Dm 15        | D 15        | 45       | 1388   | 678 | 632 | 60        | 1804   | 898  | 837  |
| Dm 18        | -           | 60       | 1310   | 725 | -   | 100       | 2090   | 1197 | -    |
| Dm 20        | D 20        | 60       | 1310   | 797 | 720 | 100       | 2090   | 1317 | 1188 |
| Dm 30        | D 30        | 45       | 1388   | 690 | 647 | 60        | 1804   | 914  | 857  |

