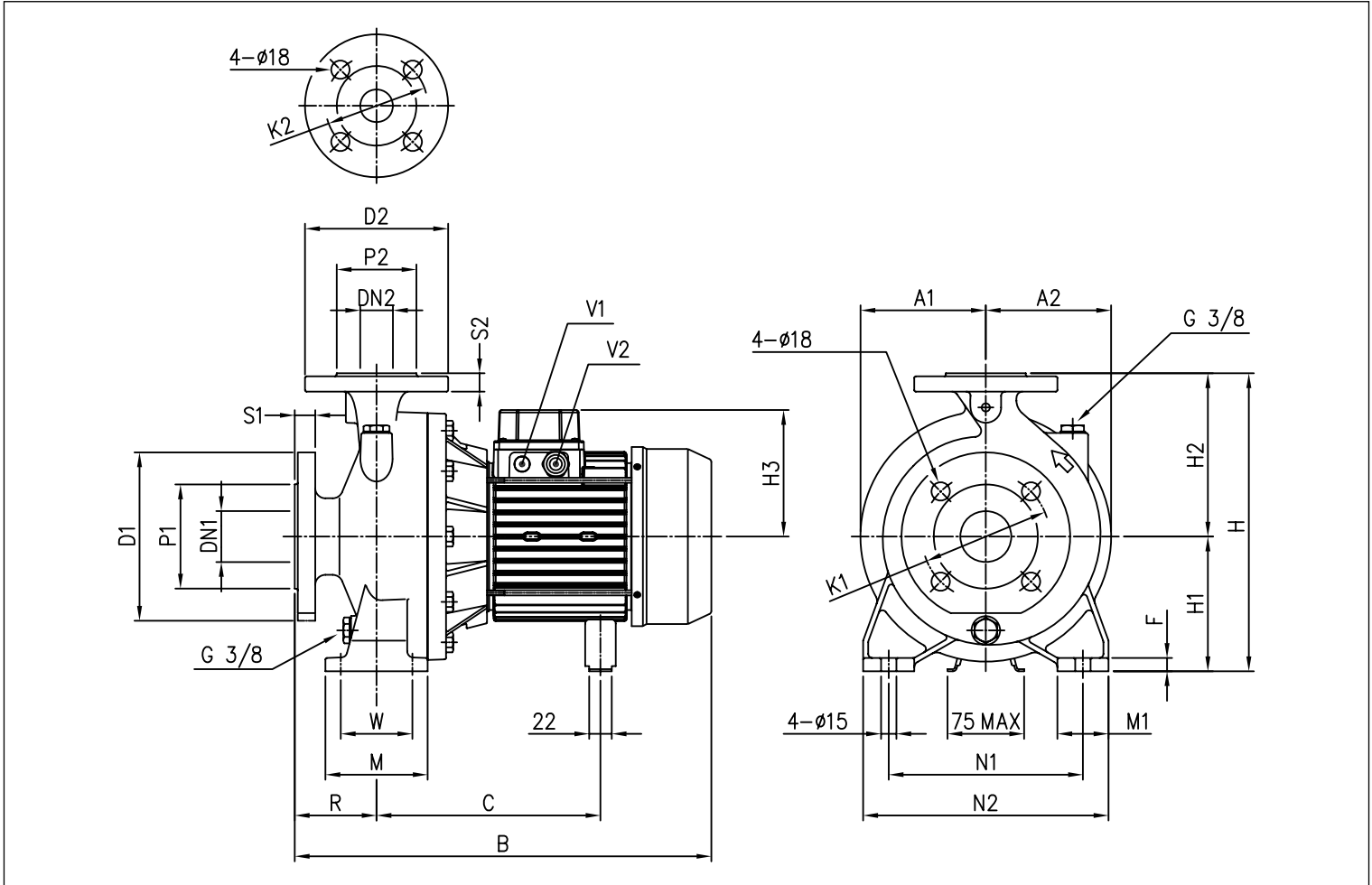


# MD - MMD

**MONOBLOC CENTRIFUGAL ELECTRIC PUMP IN COMPLIANCE WITH EN 733**  
in cast iron

MD DIMENSIONS - up to 11 kW

2 Poles



**DIMENSIONAL TABLE**

Model	Dimensions [mm]																							Weight [kg]						
	DN1 Ø	P1 Ø	K1 Ø	D1 Ø	S1	DN2 Ø	P2 Ø	K2 Ø	D2 Ø	S2	H	H1	H2	H3	R	W	M	M1	N1	N2	A1	A2	B	C	F	V1	V2		*	
MD 32-250/5.5	50	102	125	165	20	32	78	100	140	18	405	180	225	150	100	95	125	65	250	320	176	176	539	539	275	15	PG 13.5	PG 16	74.2	74.2
MD 32-250/7.5	50	102	125	165	20	32	78	100	140	18	405	180	225	150	100	95	125	65	250	320	176	176	537	557	275	15	PG 13.5	PG 16	-	77.7
MD 32-250/9.2	50	102	125	165	20	32	78	100	140	18	405	180	225	178	100	95	125	65	250	320	176	176	589	589	354	15	PG 13.5	PG 21	-	94.5
MD 32-250/11	50	102	125	165	20	32	78	100	140	18	405	180	225	178	100	95	125	65	250	320	176	176	589	589	354	15	PG 13.5	PG 21	-	97.4
MD 40-250/11	65	122	145	185	20	40	88	110	150	18	405	180	225	178	100	95	125	65	250	320	176	176	589	589	354	15	PG 13.5	PG 21	-	100.4

\* Models with IE3 motor only

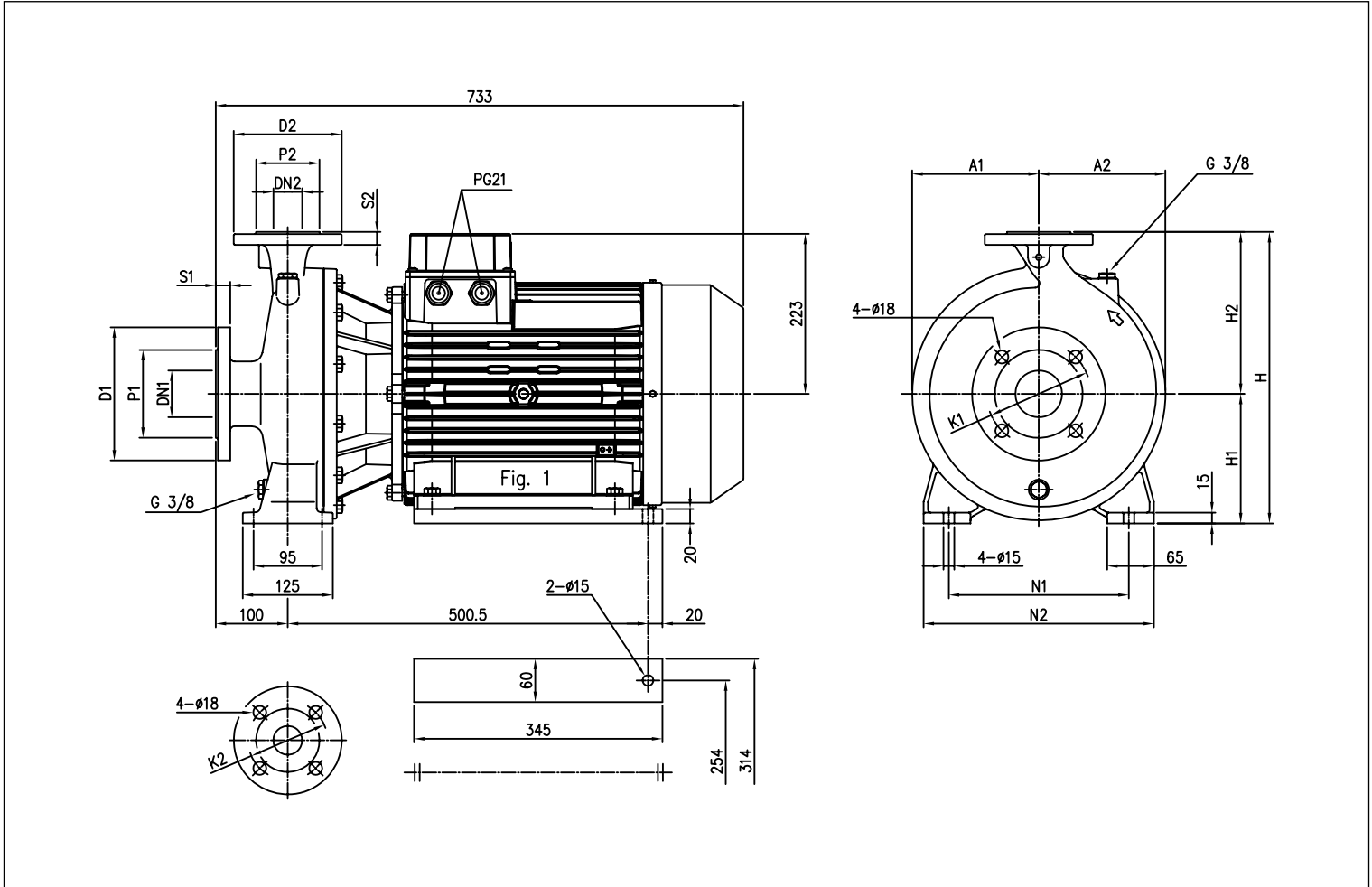
The content of this publication should not be considered mandatory. EBARA Pumps Europe S.p.A. reserves the right to change the content without prior notice.

# MD - MMD

**MONOBLOC CENTRIFUGAL ELECTRIC PUMP IN COMPLIANCE WITH EN 733**  
in cast iron

MD DIMENSIONS - starting from 15 kW and over

2 Poles



## DIMENSIONAL TABLE

Model	Dimensions [mm]																Weight [kg]	
	DN1 Ø	P1 Ø	K1 Ø	D1 Ø	S1	DN2 Ø	P2 Ø	K2 Ø	D2 Ø	S2	H	H1	H2	N1	N2	A1		A2
MD 40-250/15	65	122	145	185	20	40	88	110	150	18	405	180	225	250	320	176	176	105.1
MD 50-250/15	65	122	145	185	20	50	102	125	165	20	405	180	225	250	320	176	176	106.1
MD 50-250/18.5	65	122	145	185	20	50	102	125	165	20	405	180	225	250	320	176	176	136.3
MD 50-250/22	65	122	145	185	20	50	102	125	165	20	405	180	225	250	320	176	176	161.1

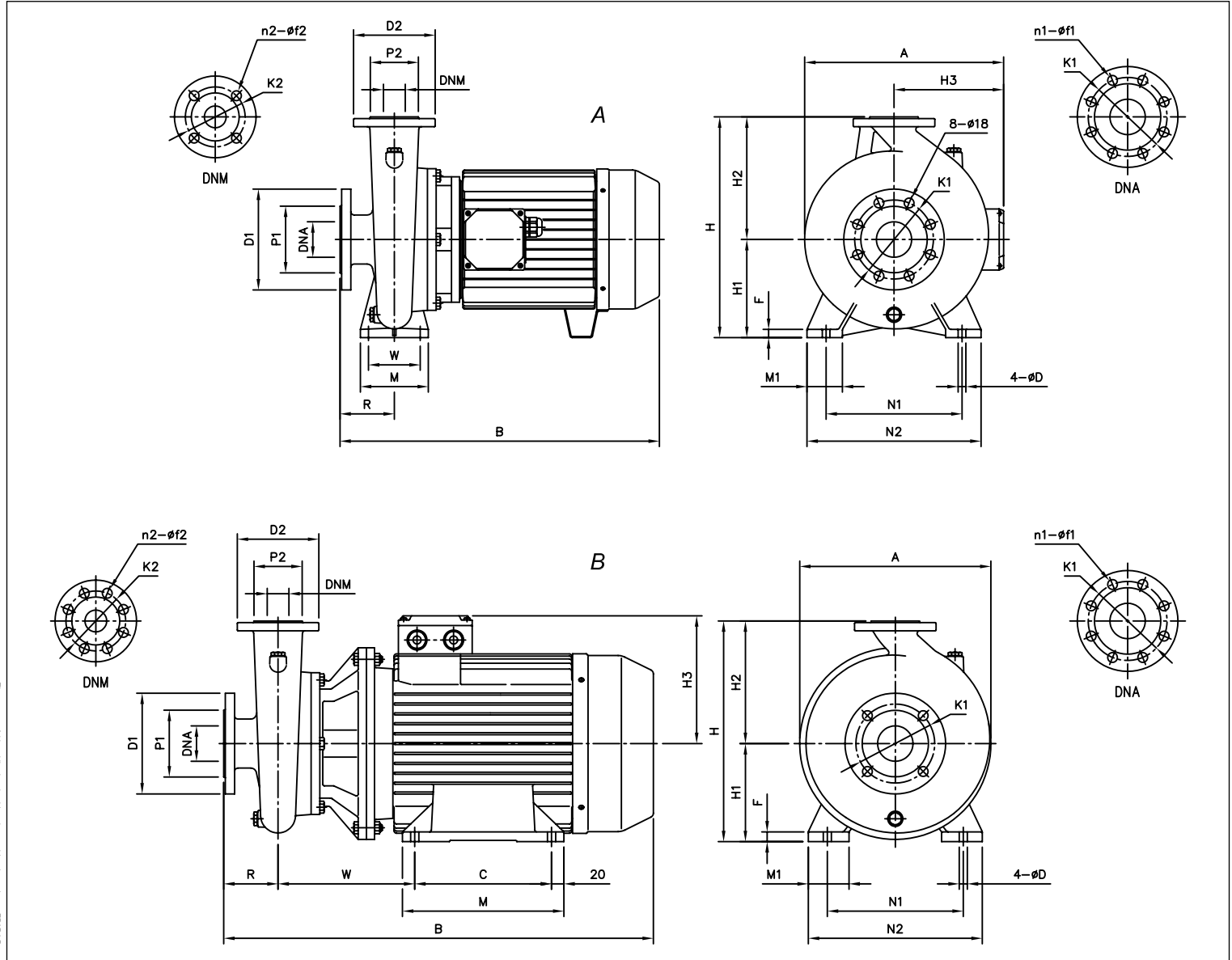
The content of this publication should not be considered mandatory. EBARA Pumps Europe S.p.A. reserves the right to change the content without prior notice.

# MD - MMD

**MONOBLOC CENTRIFUGAL ELECTRIC PUMP IN COMPLIANCE WITH EN 733**  
in cast iron

## MMD DIMENSIONS

2 Poles



## DIMENSIONAL TABLE

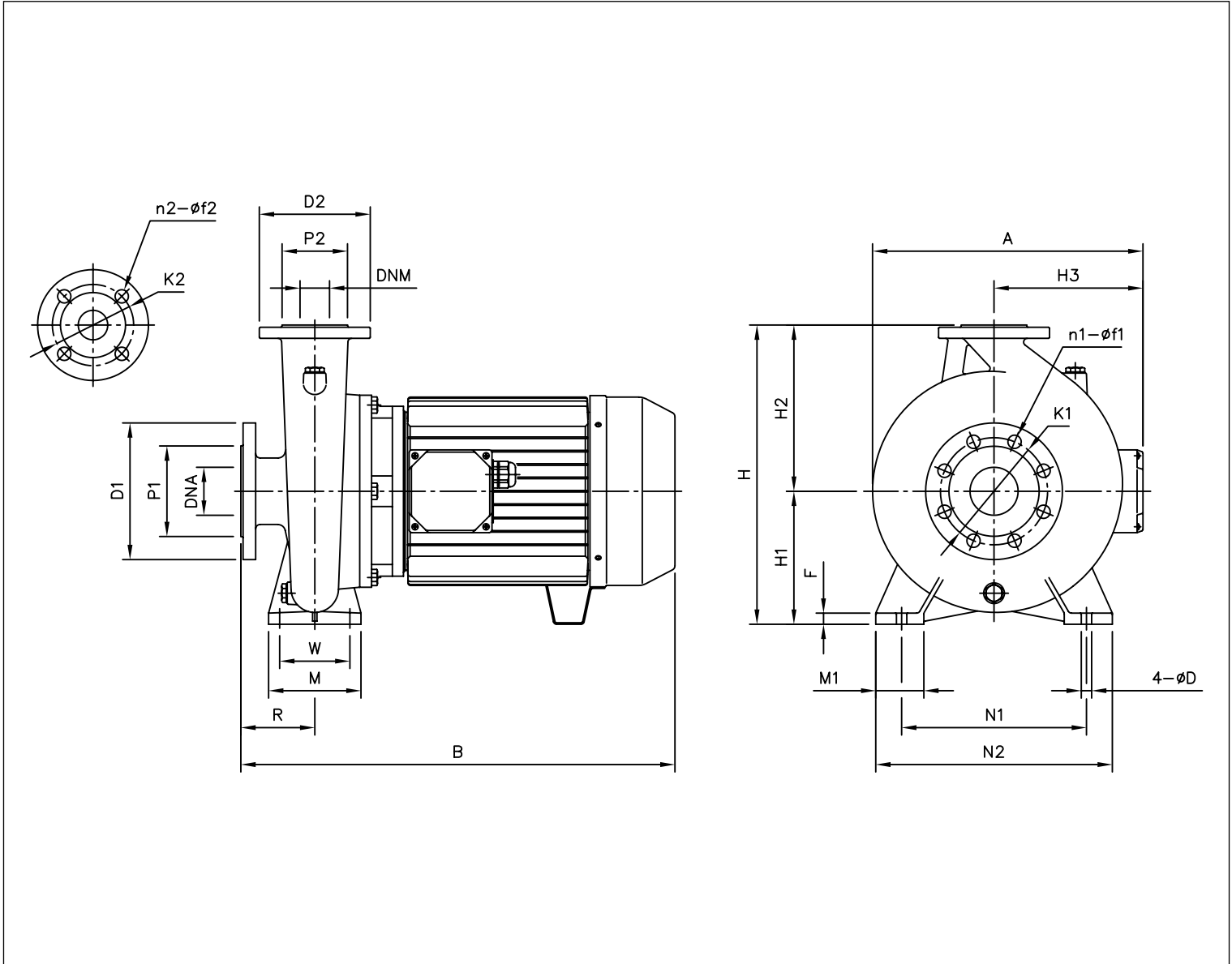
Model	Fig.	DNA	Dimensions [mm]																				Weight [kg]						
			n1	f1	P1	K1	D1	DNM	n2	f2	P2	K2	D2	H	H1	H2	H3	R	W	N1	M	N2		M1	F	A	B	C	D
MMD 65-250/22	B	80	8	18	138	160	200	65	4	18	122	145	185	430	180	250	238	100	280	254	420	320	60	20	365	814	370	14	141.0
MMD 65-250/30	B	80	8	18	138	160	200	65	4	18	122	145	185	450	200	250	330	100	325	318	345	380	60	24	365	952	305	18	264.0
MMD 65-250/37	B	80	8	18	138	160	200	65	4	18	122	145	185	450	200	250	330	100	325	318	345	380	60	24	365	952	305	18	297.0
MMD 80-160/11	A	100	8	18	158	180	220	80	8	18	138	160	200	405	180	225	194	125	95	250	125	320	65	14	315	679	-	14	87.0
MMD 80-160/15R	A	100	8	18	158	180	220	80	8	18	138	160	200	405	180	225	194	125	95	250	125	320	65	14	315	730	-	14	90.0
MMD 80-160/15	A	100	8	18	158	180	220	80	8	18	138	160	200	405	180	225	194	125	95	250	125	320	65	14	315	730	-	14	90.0
MMD 80-200/18.5	B	100	8	18	158	180	220	80	8	18	138	160	200	430	180	250	238	125	280	254	420	320	60	20	360	839	370	14	137.0
MMD 80-200/22	B	100	8	18	158	180	220	80	8	18	138	160	200	430	180	250	238	125	280	254	420	320	60	20	360	839	370	14	147.0
MMD 80-200/30	B	100	8	18	158	180	220	80	8	18	138	160	200	450	200	250	330	125	325	318	345	380	60	24	400	977	305	18	284.0
MMD 80-200/37	B	100	8	18	158	180	220	80	8	18	138	160	200	450	200	250	330	125	325	318	345	380	60	24	400	977	305	18	317.0
MMD 80-250/37	B	100	8	18	158	180	220	80	8	18	138	160	200	480	200	280	330	125	325	318	345	380	60	24	400	977	305	18	320.0
MMD 100-200/22	B	125	8	18	188	210	250	100	8	18	158	180	220	460	180	280	238	125	280	254	420	320	60	20	380	839	370	14	157.0
MMD 100-200/30	B	125	8	18	188	210	250	100	8	18	158	180	220	480	200	280	330	125	325	318	345	380	60	24	400	977	305	18	294.0
MMD 100-200/37	B	125	8	18	188	210	250	100	8	18	158	180	220	480	200	280	330	125	325	318	345	380	60	24	400	977	305	18	327.0

# MD - MMD

**MONOBLOC CENTRIFUGAL ELECTRIC PUMP IN COMPLIANCE WITH EN 733**  
in cast iron

MMD4 DIMENSIONS - up to 65

4 Poles



**DIMENSIONAL TABLE**

Model	Dimensions [mm]																											Weight [kg]
	DNA	n1	f1	P1	K1	D1	DNM	n2	f2	P2	K2	D2	H	H1	H2	H3	R	W	N1	M	N2	M1	F	A	B	D		
MMD4 32-250/1.1	50	4	18	102	125	165	32	4	14	78	100	140	405	180	225	138	100	95	250	125	320	65	12	320	476	14	50.0	
MMD4 32-250/1.5	50	4	18	102	125	165	32	4	14	78	100	140	405	180	225	138	100	95	250	125	320	65	12	320	476	14	51.0	
MMD4 40-250/1.5	65	4	18	122	145	185	40	4	18	88	110	150	405	180	225	138	100	95	250	125	320	65	12	325	476	14	49.0	
MMD4 40-250/2.2	65	4	18	122	145	185	40	4	18	88	110	150	405	180	225	145	100	95	250	125	320	65	12	325	515	14	55.0	
MMD4 50-250/2.2	65	4	18	122	145	185	50	4	18	102	125	165	405	180	225	145	100	95	250	125	320	65	14	333	515	14	58.0	
MMD4 50-250/3	65	4	18	122	145	185	50	4	18	102	125	165	405	180	225	145	100	95	250	125	320	65	14	333	549	14	65.0	
MMD4 65-250/4	80	8	18	138	160	200	65	4	18	122	145	185	450	200	250	160	100	120	280	160	360	80	14	365	549	14	79.0	
MMD4 65-250/5.5	80	8	18	138	160	200	65	4	18	122	145	185	450	200	250	194	100	120	280	160	360	80	14	365	606	14	103.0	

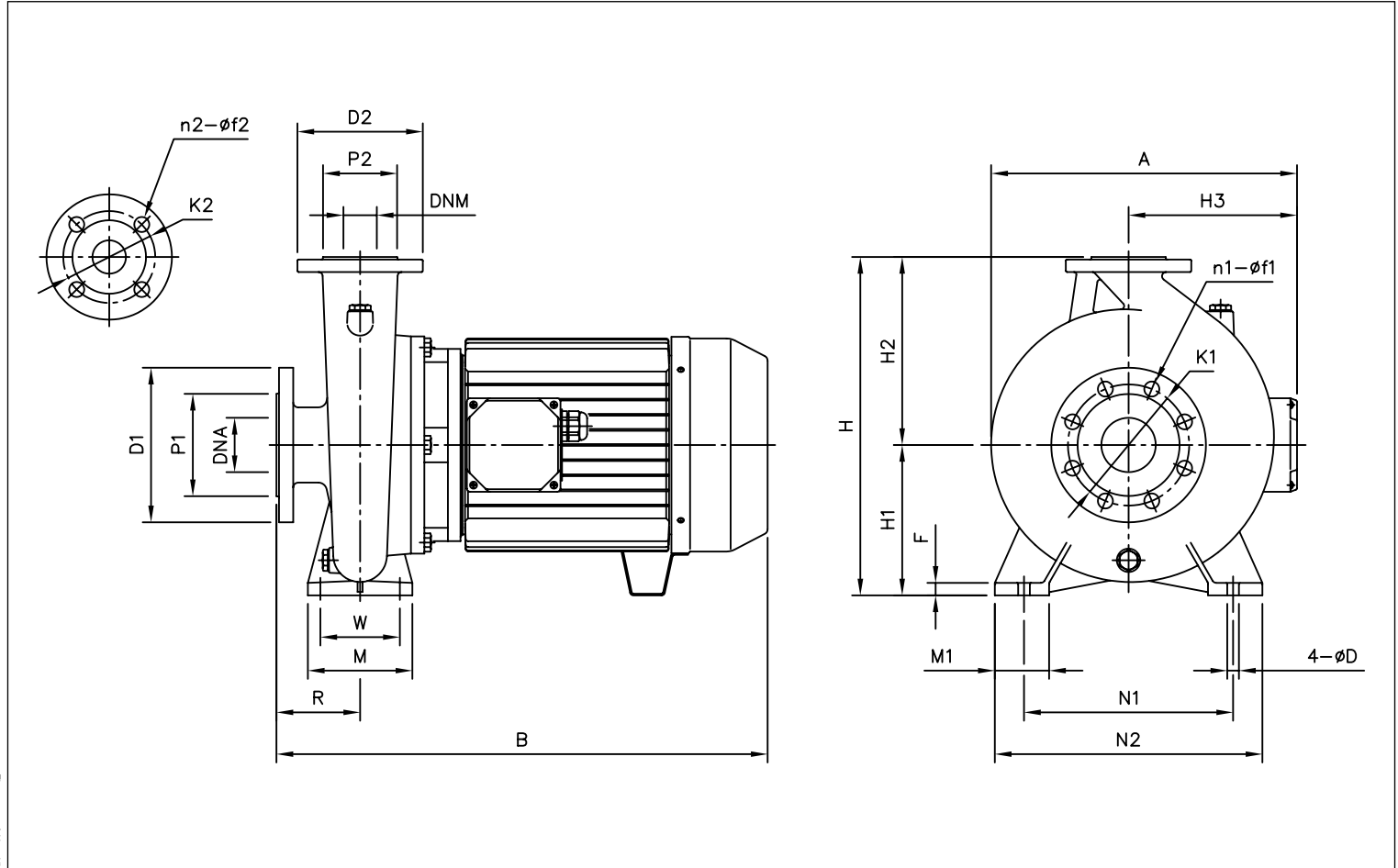
The content of this publication should not be considered mandatory. EBARA Pumps Europe S.p.A. reserves the right to change the content without prior notice.

# MD - MMD

**MONOBLOC CENTRIFUGAL ELECTRIC PUMP IN COMPLIANCE WITH EN 733**  
in cast iron

## MMD4 DIMENSIONS - from 80 to 200

4 Poles



### DIMENSIONAL TABLE

Model	Dimensions [mm]																								Weight [kg]		
	DNA	n1	f1	P1	K1	D1	DNM	n2	f2	P2	K2	D2	H	H1	H2	H3	R	W	N1	M	N2	M1	F	A		B	D
MMD4 80-160/1.5	100	8	18	158	180	220	80	8	18	138	160	200	405	180	225	138	125	95	250	125	320	65	14	330	501	14	46.0
MMD4 80-160/2.2	100	8	18	158	180	220	80	8	18	138	160	200	405	180	225	145	125	95	250	125	320	65	14	330	540	14	52.0
MMD4 80-200/3	100	8	18	158	180	220	80	8	18	138	160	200	430	180	250	145	125	95	280	125	345	65	12	355	586	14	68.0
MMD4 80-200/4	100	8	18	158	180	220	80	8	18	138	160	200	430	180	250	160	125	95	280	125	345	65	12	355	574	14	72.0
MMD4 80-250/5.5	100	8	18	158	180	220	80	8	18	138	160	200	480	200	280	194	125	120	315	160	400	80	14	400	631	18	109.0
MMD4 80-250/7.5	100	8	18	158	180	220	80	8	18	138	160	200	480	200	280	194	125	120	315	160	400	80	14	400	671	18	119.0
MMD4 100-200/4	125	8	18	188	210	250	100	8	18	158	180	220	480	200	280	160	125	120	280	160	360	80	14	385	574	18	77.0
MMD4 100-200/5.5	125	8	18	188	210	250	100	8	18	158	180	220	480	200	280	194	125	120	280	160	360	80	14	385	631	18	103.0
MMD4 100-250/7.5	125	8	18	188	210	250	100	8	18	158	180	220	505	225	280	194	140	120	315	160	400	80	14	420	686	18	125.0
MMD4 100-250/11	125	8	18	188	210	250	100	8	18	158	180	220	505	225	280	238	140	120	315	160	400	80	14	420	779	18	168.0
MMD4 125-200/5.5	150	8	22	212	240	285	125	8	18	188	210	250	565	250	280	194	140	120	315	160	400	80	14	470	657	18	137.0
MMD4 125-200/7.5R	150	8	22	212	240	285	125	8	18	188	210	250	565	250	315	194	140	120	315	160	400	80	14	470	697	18	147.0
MMD4 125-200/7.5	150	8	22	212	240	285	125	8	18	188	210	250	565	250	315	194	140	120	315	160	400	80	14	470	697	18	147.0
MMD4 125-200/11	150	8	22	212	240	285	125	8	18	188	210	250	565	250	315	238	140	120	315	160	400	80	14	470	790	18	190.0
MMD4 125-250/11	150	8	22	212	240	285	125	8	18	188	210	250	605	250	355	238	140	120	315	160	400	80	16	470	790	18	196.0
MMD4 125-250/15	150	8	22	212	240	285	125	8	18	188	210	250	605	250	355	238	140	120	315	160	400	80	16	470	854	18	216.0
MMD4 150-200/7.5	200	12	22	268	295	340	150	8	22	212	240	285	680	280	400	194	160	155	450	200	550	100	22	550	717	24	180.0
MMD4 150-200/11R	200	12	22	268	295	340	150	8	22	212	240	285	680	280	400	238	160	155	450	200	550	100	22	550	810	24	223.0
MMD4 150-200/11	200	12	22	268	295	340	150	8	22	212	240	285	680	280	400	238	160	155	450	200	550	100	22	550	810	24	223.0
MMD4 150-200/15	200	12	22	268	295	340	150	8	22	212	240	285	680	280	400	238	160	155	450	200	550	100	22	550	874	24	229.0
MMD4 200-250/18.5R	250	12	25	320	355	405	200	12	22	268	295	340	765	315	450	238	200	155	450	200	550	100	22	630	962	24	368.0
MMD4 200-250/18.5	250	12	25	320	355	405	200	12	22	268	295	340	765	315	450	238	200	155	450	200	550	100	22	630	962	24	368.0
MMD4 200-250/22R	250	12	25	320	355	405	200	12	22	268	295	340	765	315	450	238	200	155	450	200	550	100	22	630	1002	24	383.0
MMD4 200-250/22	250	12	25	320	355	405	200	12	22	268	295	340	765	315	450	238	200	155	450	200	550	100	22	630	1002	24	383.0