

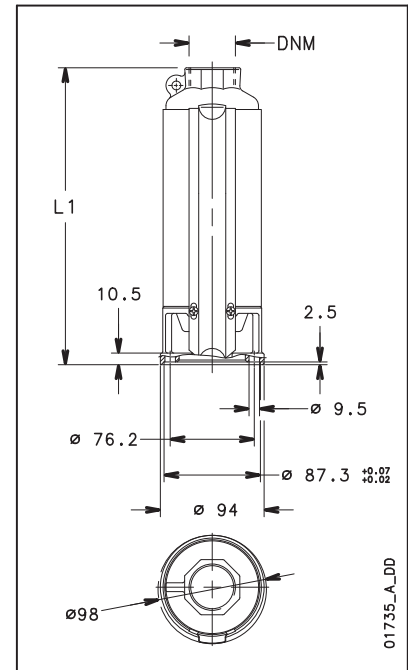
# 1GSL SERIES

## Hydraulic performance table at 50 Hz

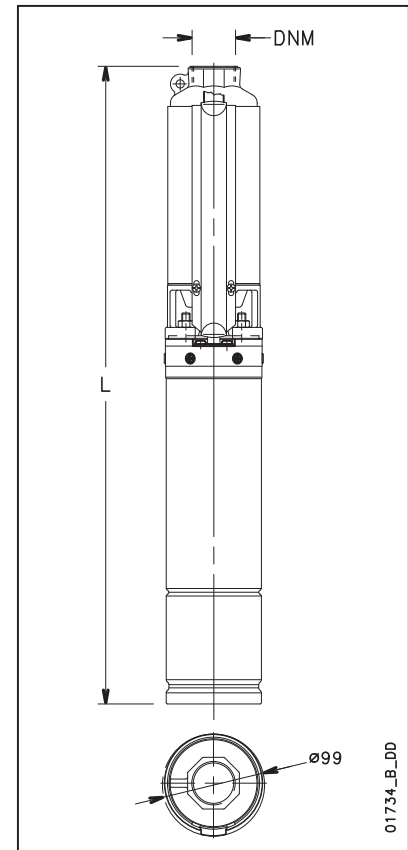
PUMP TYPE	N. OF STAGES	MOTOR POWER		Q = DELIVERY						
				H = TOTAL HEAD METRES COLUMN OF WATER						
				l/min	0	8,3	10	15	20	22,5
				m <sup>3</sup> /h	0	0,5	0,6	0,9	1,2	1,35
		kW	HP							
1GSL02 <sup>(1)</sup>	8	0,37	0,5	53	46,6	45	37	27	20,6	
1GSL03	12	0,37	0,5	79,4	69,9	67	55	40	30,9	
1GSL05	18	0,55	0,75	119	105	100	83	60	46,3	
1GSL07	24	0,75	1	159	140	133	110	80	61,7	
1GSL11	35	1,1	1,5	232	204	194	160	116	90	
1GSL15	49	1,5	2	324	285	272	224	163	126	

(1) Maximum pump absorbed power: 0,25 kW - 0,33 HP.

1gsl-2p50-en\_c\_th



01735\_A\_DD



01734\_B\_DD

## 1GSL..4OS SERIES

### Dimensions and weights

ELECTRIC PUMP TYPE *	NUMBER OF STAGES	DNM	DIMENSIONS (mm)		PUMP WEIGHT kg	ELECTRIC PUMP WEIGHT kg
			L1	L		
1GSL02M-4OS	8	Rp 1 1/4	298	651	3,1	10,7
1GSL03M-4OS	12	Rp 1 1/4	369	722	3,9	11,5
1GSL05M-4OS	18	Rp 1 1/4	472	825	4,9	13,1
1GSL07M-4OS	24	Rp 1 1/4	578	956	5,8	15,1
1GSL11M-4OS	35	Rp 1 1/4	824	1237	8,7	19,9
1GSL15M-4OS	49	Rp 1 1/4	1068	1516	11,8	24,6
1GSL03T-4OS	12	Rp 1 1/4	369	701	3,9	11
1GSL05T-4OS	18	Rp 1 1/4	472	825	4,9	12,5
1GSL07T-4OS	24	Rp 1 1/4	578	931	5,8	14
1GSL11T-4OS	35	Rp 1 1/4	824	1202	8,7	18
1GSL15T-4OS	49	Rp 1 1/4	1068	1481	11,8	23,2

1gsl-4os-2p50\_a\_td

## 1GSL..L4C SERIES

### Dimensions and weights

ELECTRIC PUMP TYPE	NUMBER OF STAGES	DNM	DIMENSIONS (mm)		PUMP WEIGHT kg	ELECTRIC PUMP WEIGHT kg
			L1	L		
1GSL02M-L4C	8	Rp 1 1/4	298	532	3,1	10,3
1GSL03M-L4C	12	Rp 1 1/4	369	603	3,9	11,2
1GSL05M-L4C	18	Rp 1 1/4	472	736	4,9	12,7
1GSL07M-L4C	24	Rp 1 1/4	578	862	5,8	14,2
1GSL11M-L4C	35	Rp 1 1/4	824	1153	8,7	19,6
1GSL15M-L4C	49	Rp 1 1/4	1068	1459	11,8	24,5
1GSL03T-L4C	12	Rp 1 1/4	369	583	3,9	10,9
1GSL05T-L4C	18	Rp 1 1/4	472	706	4,9	12,1
1GSL07T-L4C	24	Rp 1 1/4	578	842	5,8	13,6
1GSL11T-L4C	35	Rp 1 1/4	824	1108	8,7	17,1
1GSL15T-L4C	49	Rp 1 1/4	1068	1414	11,8	23,8

1gsl-l4c-2p50\_a\_td

\* Electric pumps over 1500 mm long are supplied uncoupled.  
Motor and pump are packed separately.

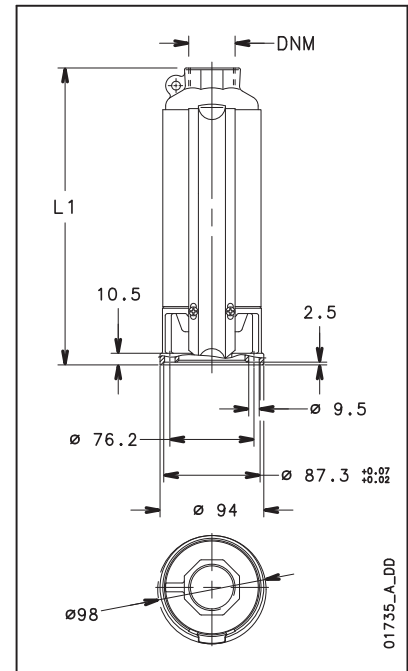
# 2GS SERIES

## Hydraulic performance table at 50 Hz

PUMP TYPE	N. OF STAGES	MOTOR POWER		Q = DELIVERY					
		kW	HP	l/min	m <sup>3</sup> /h				
				0	20	25	30	40	50
				0	1,2	1,5	1,8	2,4	3
				H = TOTAL HEAD METRES COLUMN OF WATER					
2GS02 <sup>(1)</sup>	5	0,37	0,5	33	30	28	26	20	13
2GS03	7	0,37	0,5	47	42	40	36	29	19
2GS05	10	0,55	0,75	67	60	56	52	41	27
2GS07	14	0,75	1	93	83	79	73	57	37
2GS11	20	1,1	1,5	133	119	113	104	82	53
2GS15	28	1,5	2	187	167	158	146	115	74
2GS22	40	2,2	3	267	238	226	208	164	106
2GS30	52	3	4	347	309	294	271	213	138

(1) Maximum pump absorbed power: 0,25 kW - 0,33 HP.

2gs-2p50-en\_c\_td

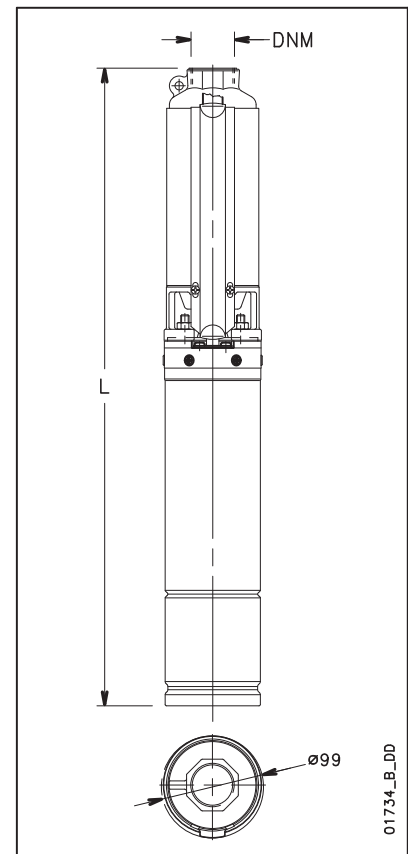


# 2GS..4OS SERIES

## Dimensions and weights

ELECTRIC PUMP TYPE *	NUMBER OF STAGES	DNM	DIMENSIONS (mm)		PUMP WEIGHT kg	ELECTRIC PUMP WEIGHT kg
			L1	L		
2GS02M-4OS	5	Rp 1 1/4	245	598	2,6	10,2
2GS03M-4OS	7	Rp 1 1/4	280	633	2,9	10,5
2GS05M-4OS	10	Rp 1 1/4	332	685	3,5	11,7
2GS07M-4OS	14	Rp 1 1/4	402	780	4,2	13,5
2GS11M-4OS	20	Rp 1 1/4	507	920	5,3	16,5
2GS15M-4OS	28	Rp 1 1/4	680	1128	7,1	19,9
2GS22M-4OS	40	Rp 1 1/4	914	1412	10,1	25,2
2GS03T-4OS	7	Rp 1 1/4	280	612	2,9	10
2GS05T-4OS	10	Rp 1 1/4	332	685	3,5	11,1
2GS07T-4OS	14	Rp 1 1/4	402	755	4,2	12,4
2GS11T-4OS	20	Rp 1 1/4	507	885	5,3	14,6
2GS15T-4OS	28	Rp 1 1/4	680	1093	7,1	18,5
2GS22T-4OS	40	Rp 1 1/4	914	1362	10,1	23
2GS30T-4OS	52	Rp 1 1/4	1120	1568	12,2	26,1

2gs-4os-2p50\_a\_td



# 2GS..L4C SERIES

## Dimensions and weights

ELECTRIC PUMP TYPE *	NUMBER OF STAGES	DNM	DIMENSIONS (mm)		PUMP WEIGHT kg	ELECTRIC PUMP WEIGHT kg
			L1	L		
2GS02M-L4C	5	Rp 1 1/4	245	479	2,6	9,8
2GS03M-L4C	7	Rp 1 1/4	280	514	2,9	10,1
2GS05M-L4C	10	Rp 1 1/4	332	596	3,5	11,3
2GS07M-L4C	14	Rp 1 1/4	402	686	4,2	12,6
2GS11M-L4C	20	Rp 1 1/4	507	836	5,3	16,2
2GS15M-L4C	28	Rp 1 1/4	680	1071	7,1	19,8
2GS22M-L4C	40	Rp 1 1/4	914	1325	10,1	24,3
2GS03T-L4C	7	Rp 1 1/4	280	494	2,9	9,9
2GS05T-L4C	10	Rp 1 1/4	332	566	3,5	10,7
2GS07T-L4C	14	Rp 1 1/4	402	666	4,2	12
2GS11T-L4C	20	Rp 1 1/4	507	791	5,3	13,7
2GS15T-L4C	28	Rp 1 1/4	680	1026	7,1	19,1
2GS22T-L4C	40	Rp 1 1/4	914	1305	10,1	22,9
2GS30T-L4C	52	Rp 1 1/4	1120	1662	12,2	32,8

2gs-l4c-2p50\_a\_td

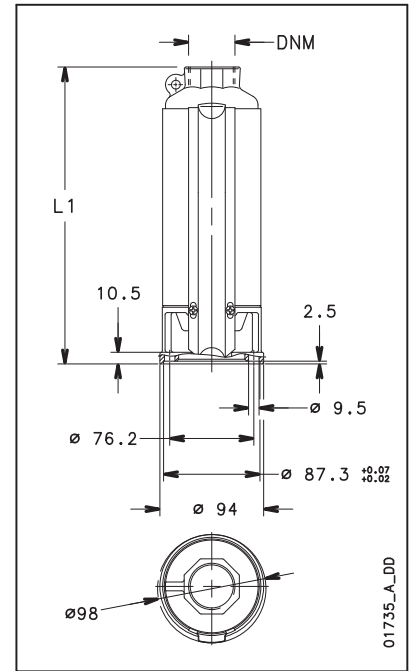
\* Electric pumps over 1500 mm long are supplied uncoupled.  
Motor and pump are packed separately.

# 4GS SERIES

## Hydraulic performance table at 50 Hz

PUMP TYPE	NUMBER OF STAGES	RATED POWER		Q = DELIVERY						
				l/min	0	30	40	60	80	90
				m <sup>3</sup> /h	0	1,8	2,4	3,6	4,8	5,4
				H = TOTAL HEAD IN COLUMN OF WATER (METRES)						
4GS03M	4	0,37	0,5	27	24	23	19	13	9	
4GS05M	7	0,55	0,75	47	42	40	33	22	15	
4GS07M	9	0,75	1	60	54	51	42	28	19	
4GS11M	14	1,1	1,5	94	84	80	66	44	30	
4GS15M	19	1,5	2	127	114	108	89	60	40	
4GS22M	27	2,2	3	181	162	154	127	85	57	
4GS30T	35	3	4	228	204	194	160	107	72	
4GS40T	48	4	5,5	321	288	274	226	151	102	

4gs-2p50\_b\_td

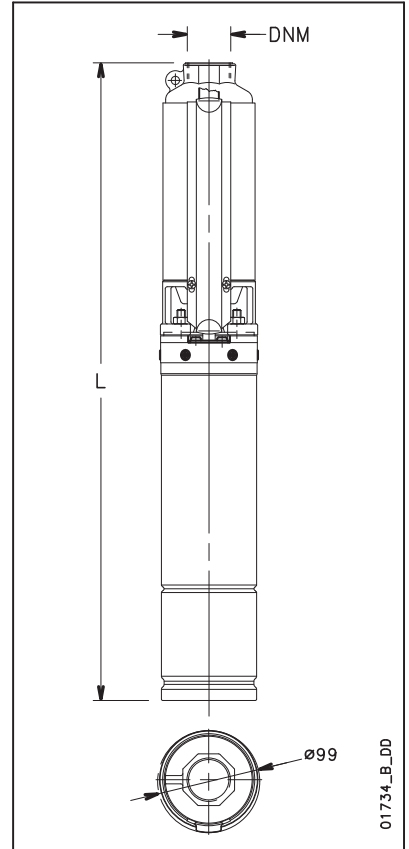


## 4GS..4OS SERIES

### Dimensions and weights

ELECTRIC PUMP TYPE *	NUMBER OF STAGES	DNM	DIMENSIONS (mm)		PUMP WEIGHT kg	ELECTRIC PUMP WEIGHT kg
			L1	L		
4GS03M-4OS	4	Rp 1 1/4	245	598	2,5	10,1
4GS05M-4OS	7	Rp 1 1/4	309	662	3,1	11,3
4GS07M-4OS	9	Rp 1 1/4	352	730	3,5	12,8
4GS11M-4OS	14	Rp 1 1/4	460	873	4,6	15,8
4GS15M-4OS	19	Rp 1 1/4	568	1016	5,7	18,5
4GS22M-4OS	27	Rp 1 1/4	770	1268	7,6	22,7
4GS03T-4OS	4	Rp 1 1/4	245	577	2,5	9,6
4GS05T-4OS	7	Rp 1 1/4	309	662	3,1	10,7
4GS07T-4OS	9	Rp 1 1/4	352	705	3,5	11,7
4GS11T-4OS	14	Rp 1 1/4	460	838	4,6	13,9
4GS15T-4OS	19	Rp 1 1/4	568	981	5,7	17,1
4GS22T-4OS	27	Rp 1 1/4	770	1218	7,6	20,5
4GS30T-4OS	35	Rp 1 1/4	967	1415	9,6	23,5
4GS40T-4OS	48	Rp 1 1/4	1248	1816	12,8	30,6

4gs-4os-2p50\_a\_td



## 4GS..L4C SERIES

### Dimensions and weights

ELECTRIC PUMP TYPE *	NUMBER OF STAGES	DNM	DIMENSIONS (mm)		PUMP WEIGHT kg	ELECTRIC PUMP WEIGHT kg
			L1	L		
4GS03M-L4C	4	Rp 1 1/4	245	479	2,5	9,7
4GS05M-L4C	7	Rp 1 1/4	309	573	3,1	10,9
4GS07M-L4C	9	Rp 1 1/4	352	636	3,5	11,9
4GS11M-L4C	14	Rp 1 1/4	460	789	4,6	15,5
4GS15M-L4C	19	Rp 1 1/4	568	959	5,7	18,4
4GS22M-L4C	27	Rp 1 1/4	770	1181	7,6	21,8
4GS03T-L4C	4	Rp 1 1/4	245	459	2,5	9,5
4GS05T-L4C	7	Rp 1 1/4	309	543	3,1	10,3
4GS07T-L4C	9	Rp 1 1/4	352	616	3,5	11,3
4GS11T-L4C	14	Rp 1 1/4	460	744	4,6	13
4GS15T-L4C	19	Rp 1 1/4	568	914	5,7	17,7
4GS22T-L4C	27	Rp 1 1/4	770	1161	7,6	20,4
4GS30T-L4C	35	Rp 1 1/4	967	1509	9,6	30,2
4GS40T-L4C	48	Rp 1 1/4	1248	1860	12,8	36,5

4gs-l4c-2p50\_a\_td

\* Electric pumps over 1500 mm long are supplied uncoupled.  
Motor and pump are packed separately.

# 6GS SERIES

## Hydraulic performance table at 50 Hz

PUMP TYPE	NUMBER OF STAGES	RATED POWER		Q = DELIVERY					
		kW	HP	H = TOTAL HEAD IN COLUMN OF WATER (METRES)					
				l/min	m <sup>3</sup> /h	0	50	70	90
6GS05	5	0,55	0,75	30,5	25,8	23	21	17	11,5
6GS07	7	0,75	1	42,7	36,1	33	29	24	16,1
6GS11	10	1,1	1,5	61	51,6	47	41	34	23
6GS15	14	1,5	2	85,4	72,2	66	58	48	32,2
6GS22	21	2,2	3	128	108	99	87	71	48,3
6GS30	29	3	4	177	150	136	120	99	66,7
6GS40	38	4	5,5	232	196	179	157	129	87,4
6GS55	52	5,5	7,5	317	268	244	215	177	120

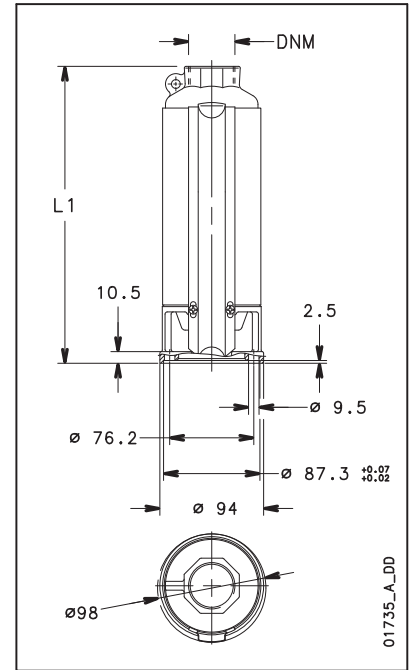
6gs-2p50-en\_c\_th

# 6GS..4OS SERIES

## Dimensions and weights

ELECTRIC PUMP TYPE *	NUMBER OF STAGES	DNM	DIMENSIONS (mm)		PUMP WEIGHT kg	ELECTRIC PUMP WEIGHT kg
			L1	L		
6GS05M-4OS	5	Rp 1 1/4	329	682	3,5	11,7
6GS07M-4OS	7	Rp 1 1/4	390	768	4,2	13,5
6GS11M-4OS	10	Rp 1 1/4	485	898	5,1	16,3
6GS15M-4OS	14	Rp 1 1/4	645	1093	6,8	19,6
6GS22M-4OS	21	Rp 1 1/4	862	1360	9,1	24,2
6GS05T-4OS	5	Rp 1 1/4	329	682	3,5	11,1
6GS07T-4OS	7	Rp 1 1/4	390	743	4,2	12,4
6GS11T-4OS	10	Rp 1 1/4	485	863	5,1	14,4
6GS15T-4OS	14	Rp 1 1/4	645	1058	6,8	18,2
6GS22T-4OS	21	Rp 1 1/4	862	1310	9,1	22
6GS30T-4OS	29	Rp 1 1/4	1127	1575	11,8	25,7
6GS40T-4OS	38	Rp 1 1/4	1406	1974	14,7	32,5
6GS55T-4OS	52	Rp 1 1/4	1840	2468	19,3	40,6

6gs-4os-2p50\_a\_td



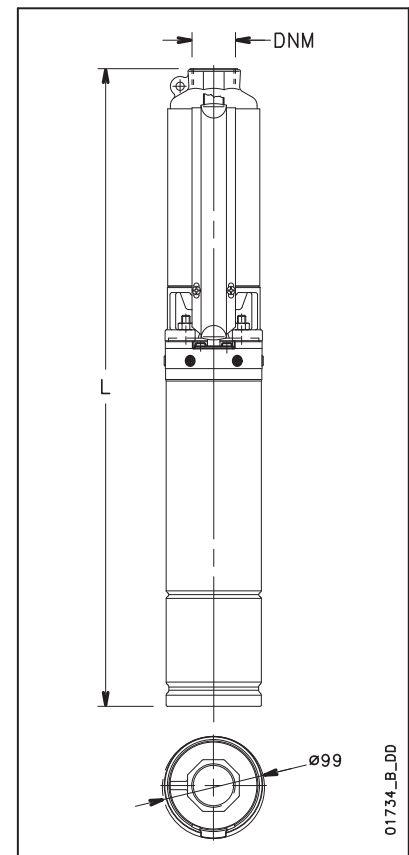
01735\_A\_DD

# 6GS..L4C SERIES

## Dimensions and weights

ELECTRIC PUMP TYPE *	NUMBER OF STAGES	DNM	DIMENSIONS (mm)		PUMP WEIGHT kg	ELECTRIC PUMP WEIGHT kg
			L1	L		
6GS05M-L4C	5	Rp 1 1/4	329	593	3,5	11,3
6GS07M-L4C	7	Rp 1 1/4	390	674	4,2	12,6
6GS11M-L4C	10	Rp 1 1/4	485	814	5,1	16
6GS15M-L4C	14	Rp 1 1/4	645	1036	6,8	19,5
6GS22M-L4C	21	Rp 1 1/4	862	1273	9,1	23,3
6GS05T-L4C	5	Rp 1 1/4	329	563	3,5	10,7
6GS07T-L4C	7	Rp 1 1/4	390	654	4,2	12
6GS11T-L4C	10	Rp 1 1/4	485	769	5,1	13,5
6GS15T-L4C	14	Rp 1 1/4	645	991	6,8	18,8
6GS22T-L4C	21	Rp 1 1/4	862	1253	9,1	21,9
6GS30T-L4C	29	Rp 1 1/4	1127	1669	11,8	32,4
6GS40T-L4C	38	Rp 1 1/4	1406	2018	14,7	38,4
6GS55T-L4C	52	Rp 1 1/4	1840	2522	19,3	46,3

6gs-l4c-2p50\_a\_td



01734\_B\_DD

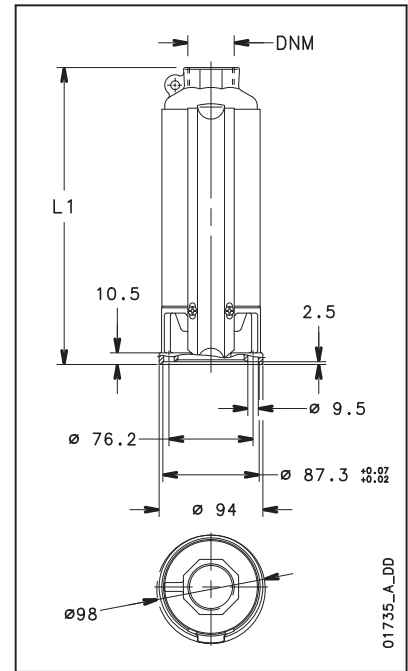
\* Electric pumps over 1500 mm long are supplied uncoupled.  
Motor and pump are packed separately.

# 8GS SERIES

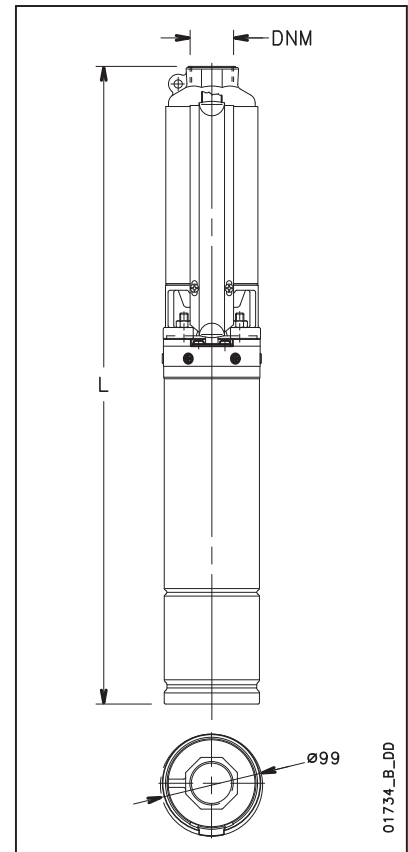
## Hydraulic performance table at 50 Hz

PUMP TYPE	NUMBER OF STAGES	RATED POWER		Q = DELIVERY						
				H = TOTAL HEAD IN COLUMN OF WATER (METRES)						
				l/min	0	67	100	120	140	183
				m <sup>3</sup> /h	0	4	6	7,2	8,4	11
		kW	HP							

8gs-2p50\_c\_th



01735\_A\_DD



01734\_B\_DD

## 8GS..4OS SERIES

### Dimensions and weights

ELECTRIC PUMP TYPE *	NUMBER OF STAGES	DNM	DIMENSIONS (mm)		PUMP WEIGHT kg	ELECTRIC PUMP WEIGHT kg
			L1	L		
8GS07M-4OS	4	Rp 2	299	677	3,2	12,5
8GS11M-4OS	6	Rp 2	361	774	3,8	15
8GS15M-4OS	8	Rp 2	423	871	4,5	17,3
8GS22M-4OS	13	Rp 2	580	1078	6	21,1
8GS07T-4OS	4	Rp 2	299	652	3,2	11,4
8GS11T-4OS	6	Rp 2	361	739	3,8	13,1
8GS15T-4OS	8	Rp 2	423	836	4,5	15,9
8GS22T-4OS	13	Rp 2	580	1028	6	18,9
8GS30T-4OS	17	Rp 2	740	1188	7,8	21,7
8GS40T-4OS	23	Rp 2	926	1494	9,6	27,4
8GS55T-4OS	32	Rp 2	1224	1852	12,8	34,1
8GS75T-4OS	43	Rp 2	1563	2397	16,2	45

8gs-4os-2p50\_a\_td

## 8GS..L4C SERIES

### Dimensions and weights

PUMP TYPE *	OF STAGES	DNM	(mm)		WEIGHT kg	PUMP WEIGHT kg
			L1	L		
8GS07M-L4C	4	Rp 2	299	583	3,2	11,6
8GS11M-L4C	6	Rp 2	361	690	3,8	14,7
8GS15M-L4C	8	Rp 2	423	814	4,5	17,2
8GS22M-L4C	13	Rp 2	580	991	6	20,2
8GS07T-L4C	4	Rp 2	299	563	3,2	11
8GS11T-L4C	6	Rp 2	361	645	3,8	12,2
8GS15T-L4C	8	Rp 2	423	769	4,5	16,5
8GS22T-L4C	13	Rp 2	580	971	6	18,8
8GS30T-L4C	17	Rp 2	740	1282	7,8	28,4
8GS40T-L4C	23	Rp 2	926	1538	9,6	33,3
8GS55T-L4C	32	Rp 2	1224	1906	12,8	39,8
8GS75T-L4C	43	Rp 2	1563	2325	16,2	45,4

8gs-l4c-2p50\_a\_td

\* Electric pumps over 1500 mm long are supplied uncoupled.  
Motor and pump are packed separately.

# 12GS SERIES

## Hydraulic performance table at 50 Hz

PUMP TYPE	NUMBER OF STAGES	RATED POWER		Q = DELIVERY						
		kW	HP	H = TOTAL HEAD IN COLUMN OF WATER (METRES)						
				0	100	150	175	200	250	
12GS15	7	1,5	2	43,9	37,3	31	28	24	14,6	
12GS22	11	2,2	3	69	58,4	49	43	37	22,5	
12GS30	15	3	4	94	79,4	67	59	50	30	
12GS40	20	4	5,5	128,6	109,9	94	84	73	46	
12GS55	27	5,5	7,5	173,6	148,3	127	113	98	62	
12GS75	35	7,5	10	221,8	190,2	163	146	126	80	

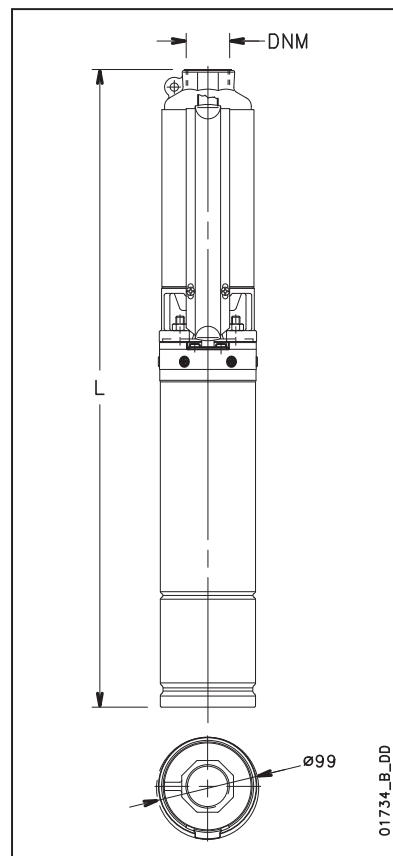
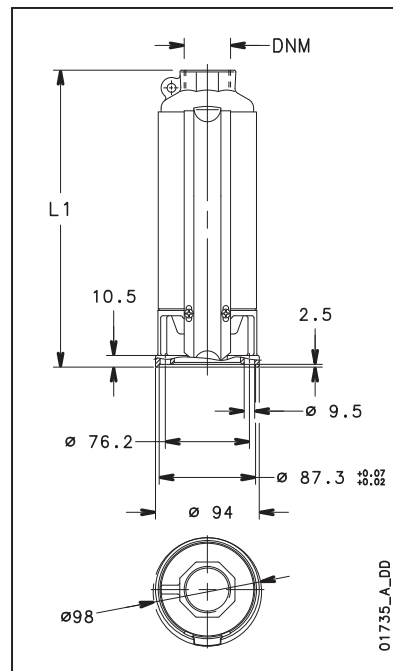
12gs-2p50\_b\_th

# 12GS..4OS SERIES

## Dimensions and weights

ELECTRIC PUMP TYPE *	NUMBER OF STAGES	DNM	DIMENSIONS (mm)		PUMP WEIGHT kg	ELECTRIC PUMP WEIGHT kg
			L1	L		
12GS15M-4OS	7	Rp 2	539	987	5,2	18
12GS22M-4OS	11	Rp 2	785	1283	7,9	23
12GS15T-4OS	7	Rp 2	539	952	5,2	16,6
12GS22T-4OS	11	Rp 2	785	1233	7,9	20,8
12GS30T-4OS	15	Rp 2	992	1440	10	23,9
12GS40T-4OS	20	Rp 2	1252	1820	12,6	30,4
12GS55T-4OS	27	Rp 2	1634	2262	16,8	38,1
12GS75T-4OS	35	Rp 2	2049	2883	20,9	49,7

12gs-4os-2p50\_a\_td



# 12GS..L4C SERIES

## Dimensions and weights

ELECTRIC PUMP TYPE *	NUMBER OF STAGES	DNM	DIMENSIONS (mm)		PUMP WEIGHT kg	ELECTRIC PUMP WEIGHT kg
			L1	L		
12GS15M-L4C	7	Rp 2	539	930	5,2	17,9
12GS22M-L4C	11	Rp 2	785	1196	7,9	22,1
12GS15T-L4C	7	Rp 2	539	885	5,2	17,2
12GS22T-L4C	11	Rp 2	785	1176	7,9	20,7
12GS30T-L4C	15	Rp 2	992	1534	10	30,6
12GS40T-L4C	20	Rp 2	1252	1864	12,6	36,3
12GS55T-L4C	27	Rp 2	1634	2316	16,8	43,8
12GS75T-L4C	35	Rp 2	2049	2811	20,9	50,1

12gs-l4c-2p50\_a\_td

\* Electric pumps over 1500 mm long are supplied uncoupled.  
Motor and pump are packed separately.

# 16GS SERIES

## Hydraulic performance table at 50 Hz

PUMP TYPE	NUMBER OF STAGES	RATED POWER		Q = DELIVERY						
				l/min	0	133	200	250	300	367
				m <sup>3</sup> /h	0	8	12	15	18	22
				H = TOTAL HEAD IN COLUMN OF WATER (METRES)						
16GS22	9	2,2	3	49,5	40,3	34	29	23	14	
16GS30	12	3	4	66	54	46	39	31	20,4	
16GS40	16	4	5,5	92,1	74,9	64	54	44	29	
16GS55	21	5,5	7,5	120,9	98,6	84	72	59	39	
16GS75	28	7,5	10	161,2	131,5	112	96	78	52	

16gs-2p50\_b\_th

## 16GS..4OS SERIES

### Dimensions and weights

ELECTRIC PUMP TYPE *	NUMBER OF STAGES	DNM	DIMENSIONS (mm)		PUMP WEIGHT kg	ELECTRIC PUMP WEIGHT kg
			L1	L		
16GS22M-4OS	9	Rp 2	749	1247	7,7	22,8
16GS22T-4OS	9	Rp 2	749	1197	7,7	20,6
16GS30T-4OS	12	Rp 2	953	1401	9,7	23,6
16GS40T-4OS	16	Rp 2	1224	1792	12,4	30,2
16GS55T-4OS	21	Rp 2	1620	2248	16,5	37,8
16GS75T-4OS	28	Rp 2	2096	2930	21,2	50

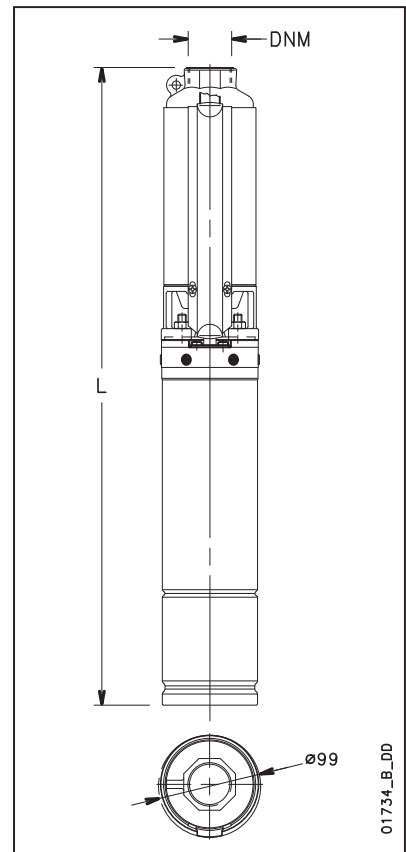
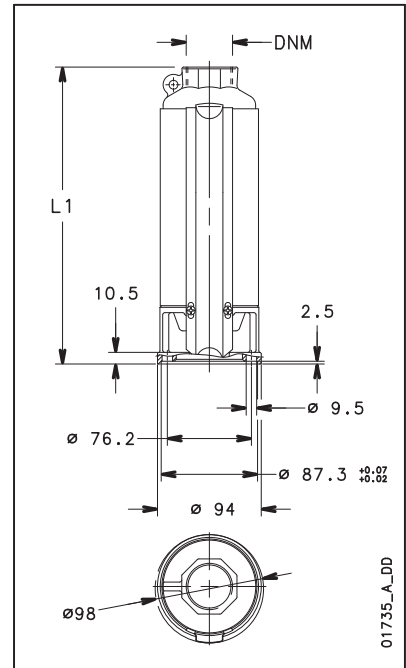
16gs-4os-2p50\_a\_td

## 16GS..L4C SERIES

### Dimensions and weights

ELECTRIC PUMP TYPE *	NUMBER OF STAGES	DNM	DIMENSIONS (mm)		PUMP WEIGHT kg	ELECTRIC PUMP WEIGHT kg
			L1	L		
16GS22M-L4C	9	Rp 2	749	1160	7,7	21,9
16GS22T-L4C	9	Rp 2	749	1140	7,7	20,5
16GS30T-L4C	12	Rp 2	953	1495	9,7	30,3
16GS40T-L4C	16	Rp 2	1224	1836	12,4	36,1
16GS55T-L4C	21	Rp 2	1620	2302	16,5	43,5
16GS75T-L4C	28	Rp 2	2096	2858	21,2	50,4

16gs-l4c-2p50\_a\_td



\* Electric pumps over 1500 mm long are supplied uncoupled.  
Motor and pump are packed separately.