

Data sheet for three-phase Squirrel-Cage-Motors



MLFB-Ordering data : 1LA7073-4AB11

Client order no. :
Order no. :
Offer no. :
Remarks :

Item no. :
Consignment no. :
Project :

Electrical data:

Rated voltage :	(1) 230 VD/400 VY, 50 Hz, 460 VY, 60 Hz					
Frequency :	50 Hz		60 Hz			
Rated power :	0.37 kW		0.43 kW			
Rated speed :	1370 1/ min		1669 1/ min			
Rated torque :	2.6 Nm		2.5 Nm			
Rated current (IE) :	VD	VY	VY			
	1.84 A	1.06 A	1.08 A			
Starting / rated current :	3.3		3.8			
Breakdown / rated torque :	2.1		2.2			
Starting / rated torque :	1.9		2.0			
Efficiency %	4/4	3/4	2/4	4/4	3/4	2/4
	65.8%	64.8%	60.8%	65.8%	64.8%	60.8%
Power factor :	0.78	0.72	0.61	0.76	0.70	0.58
Efficiency class :	-/-		-/-			

Mechanical data:

Sound pressure level 50Hz/60Hz (load) :	44 dB(A)	48 dB(A)
Moment of inertia :	0.00077 kg*m ²	
Bearing DE :	6202 2ZC3	
Bearing NDE :	6202 2ZC3	
Type of bearing :	Floating bearings pre-loaded DE (standard)	
Condensate drainage holes :	No	
Regreasing device :	No	
Lubricants :	Esso Unirex N3	
Grease lifetime/Relubrication interval :	40000 h	
Quantity of grease for relubrication :	null g	
External earthing terminal :	No	
Coating :	Special paint finish RAL 7030 stone gray	

Environmental conditions:

Ambient temperature :	-20 °C - +40 °C
Altitude above sea level :	1000 m
Standards and specifications :	IEC, DIN, ISO, VDE, EN

General data:

Frame size	071 M
Design of electrical machine :	(1) IM B5 / V1 without canopy
Weight in kg, without optional accessories :	6.00 kg
Frame material :	Aluminum
Degree of protection :	IP 55
Method of cooling, TEFC :	IC 411
Vibration class :	A (Standard)
Insulation :	155(F) to 130(B)
Duty type :	S1 - continuous duty
Direction of rotation :	Bi-directional

Terminal box:

Material of terminal box :	
Type of terminal box :	gk 030
Contact screw thread :	
Max. cross-sectional area :	
Cable diameter from ... to ... :	
Cable entry :	
Cable gland :	

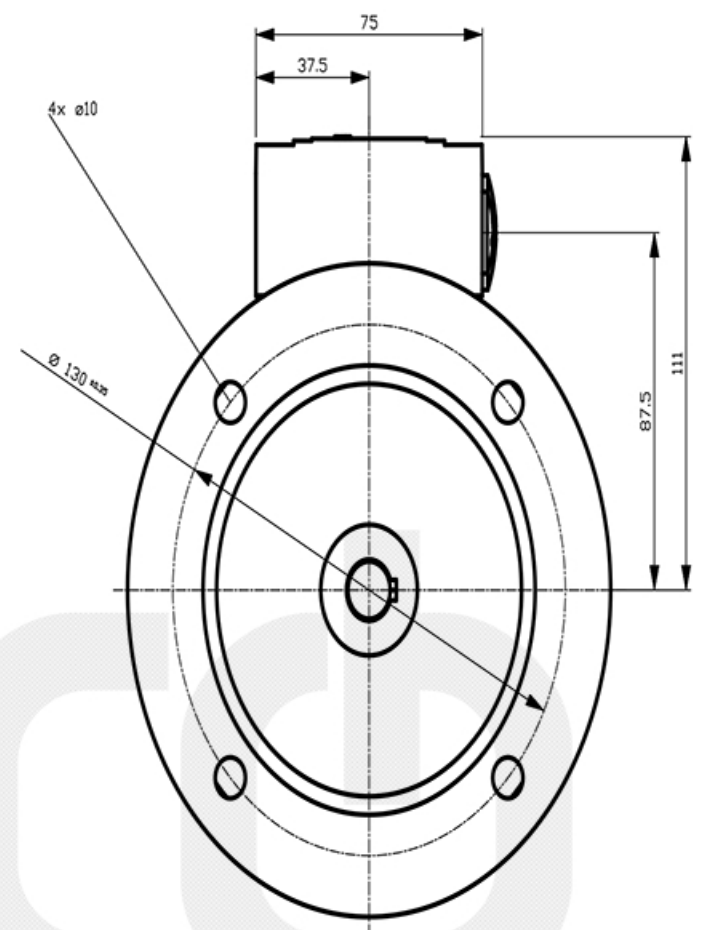
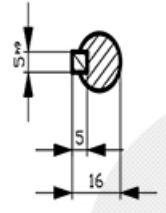
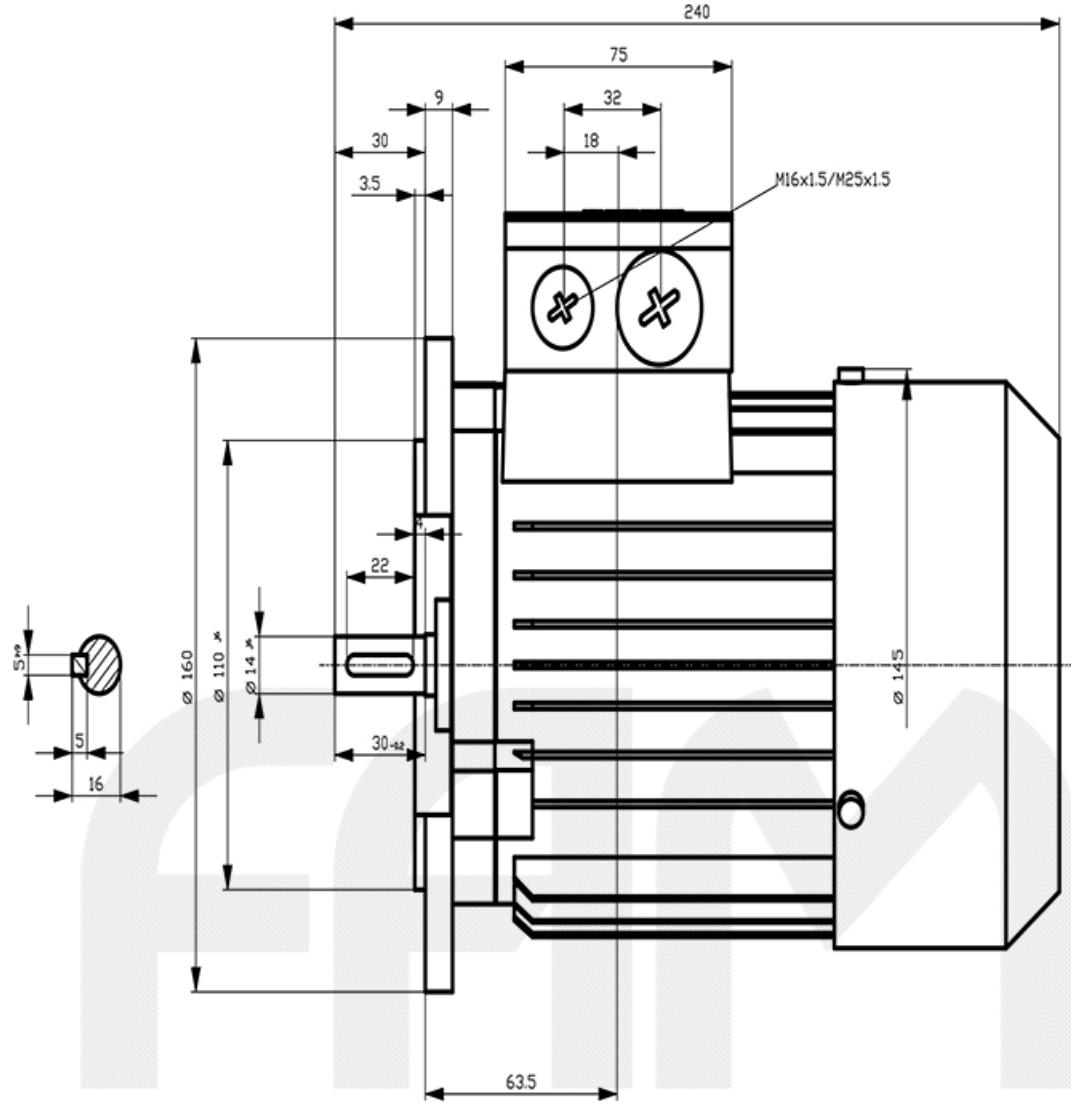
Special design:

Tel: 48 0000 49 (60 Lines)

Transmittal, reproduction, dissemination and/or editing of this document as well as utilization of its contents and communication thereof to others without express authorization are prohibited. Offenders will be held liable for any damages resulting from their actions. Siemens AG is not liable for any loss of a utility model or design patent are reserved.

Weitergabe sowie Vervielfältigung, Verbreitung und/oder Bearbeitung dieses Dokuments, Verwertung und Mitteilung seines Inhaltes sind verboten, soweit nicht ausdrücklich gestattet. Zuwiderhandlungen verpflichten zu Schadenersatz. Alle Rechte vorbehalten. Siemens AG ist nicht haftbar für den Verlust eines Gebrauchsmusters oder Patents. Alle Rechte vorbehalten.

Confid. à titre de secret d'entreprise. Tous droits réservés. Communicado como secreto empresarial. Reservados todos los derechos. Доверитель и качество производства иного охраня. Сохранено как секрет фирмы. Nos reservamos todos los derechos.



Tel: 48 0000 49 (60 Lines)

Tolerance	Surface	Material	Weight	Scale
1LA7073-4AB11	Author	Dimensional drawing		
	Creator	Maßzeichnung		
	Approval	DTK		
	Department			
	Change Order	MJFB	Doc. Type	
	Doc. State	1/22/19	Item No.	Paper Size A3
	Revision	Index RS	Doc. No.	1st. Language en
				2nd. Language de
© Siemens AG 2016	Project No.	-	Ref. No.	Sheet 1 of 1

SIEMENS