



Data sheet for three-phase Squirrel-Cage-Motors

MLFB-Ordering data : **1LA7083-4AA10**

Client order no. :
Order no. :
Offer no. :
Remarks :

Item no. :
Consignment no. :
Project :

Electrical data:

Rated voltage :	(1) 230 VD/400 VY, 50 Hz, 460 VY, 60 Hz					
Frequency :	50 Hz		60 Hz			
Rated power :	0.75 kW		0.86 kW			
Rated speed :	1395 1/ min		1695 1/ min			
Rated torque :	5.1 Nm		4.8 Nm			
Rated current (IE) :	VD	VY	VY			
	3.27 A	1.88 A	1.79 A			
Starting / rated current :	4.2		5.1			
Breakdown / rated torque :	2.3		2.3			
Starting / rated torque :	2.3		2.3			
Efficiency %	4/4	3/4	2/4	4/4	3/4	2/4
	72.1%	72.1%	68.1%	75.5%	75.5%	72.5%
Power factor :	0.80	0.75	0.66	0.80	0.75	0.65
Efficiency class :	IE1		-/-			

Mechanical data:

Sound pressure level 50Hz/60Hz (load) :	47 dB(A)	51 dB(A)
Moment of inertia :	0.0017 kg*m ²	
Bearing DE :	6004 2ZC3	
Bearing NDE :	6004 2ZC3	
Type of bearing :	Floating bearings pre-loaded DE (standard)	
Condensate drainage holes :	No	
Regreasing device :	No	
Lubricants :	Esso Unirex N3	
Grease lifetime/Relubrication interval :	40000 h	
Quantity of grease for relubrication :	null g	
External earthing terminal :	No	
Coating :	Special paint finish RAL 7030 stone gray	

Environmental conditions:

Ambient temperature :	-20 °C - +40 °C
Altitude above sea level :	1000 m
Standards and specifications :	IEC, DIN, ISO, VDE, EN

General data:

Frame size	080 M
Design of electrical machine :	(0) IM B3 / B6 / B7 / B8 / V5 without canopy
Weight in kg, without optional accessories :	10.00 kg
Frame material :	Aluminum
Degree of protection :	IP 55
Method of cooling, TEFC :	IC 411
Vibration class :	A (Standard)
Insulation :	155(F) to 130(B)
Duty type :	S1 - continuous duty
Direction of rotation :	Bi-directional

Terminal box:

Material of terminal box :	
Type of terminal box :	gk 030
Contact screw thread :	
Max. cross-sectional area :	
Cable diameter from ... to ... :	
Cable entry :	
Cable gland :	

Special design:

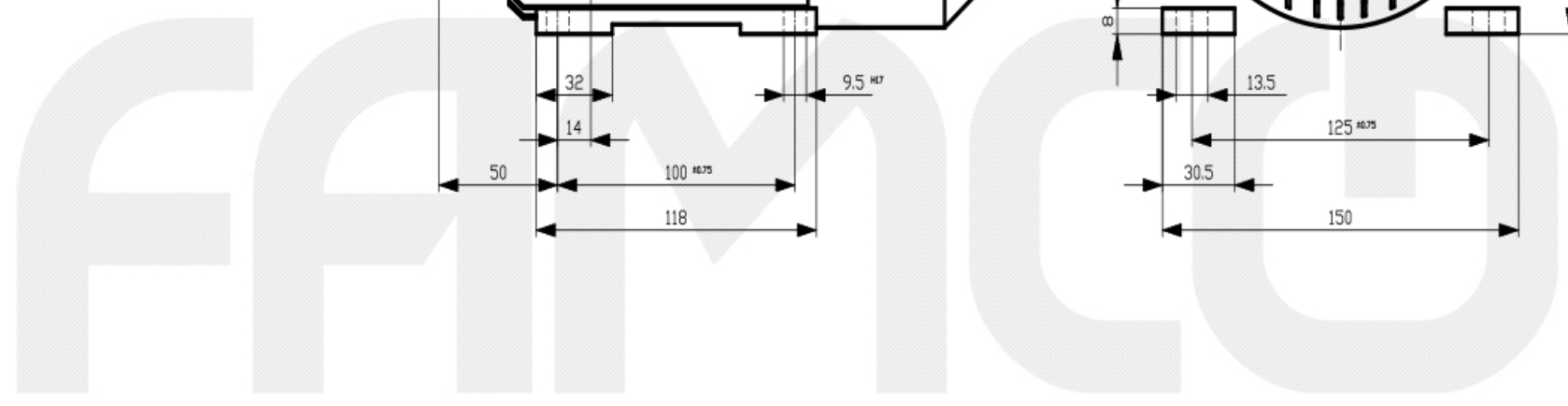
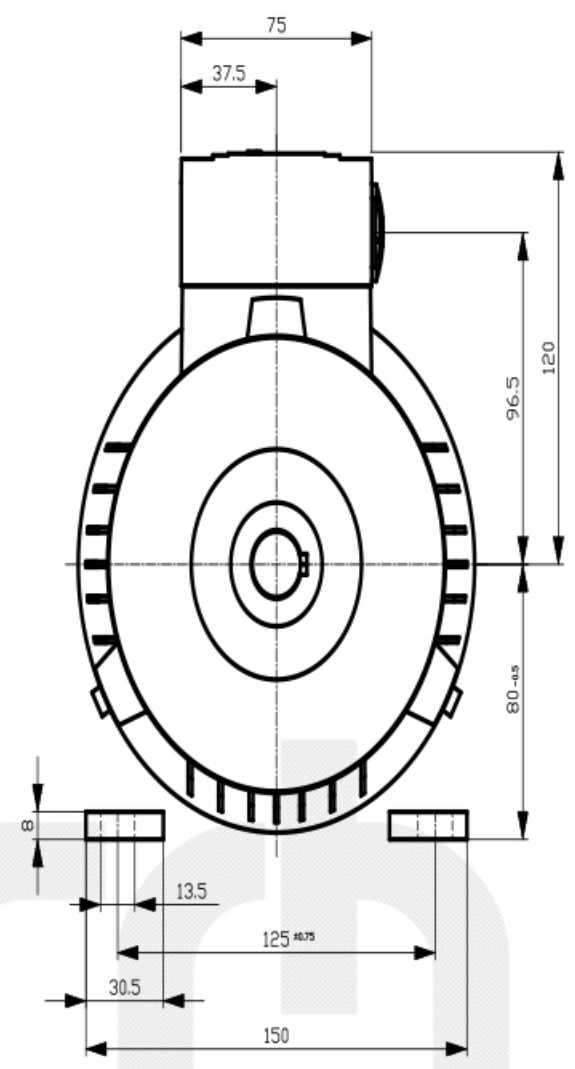
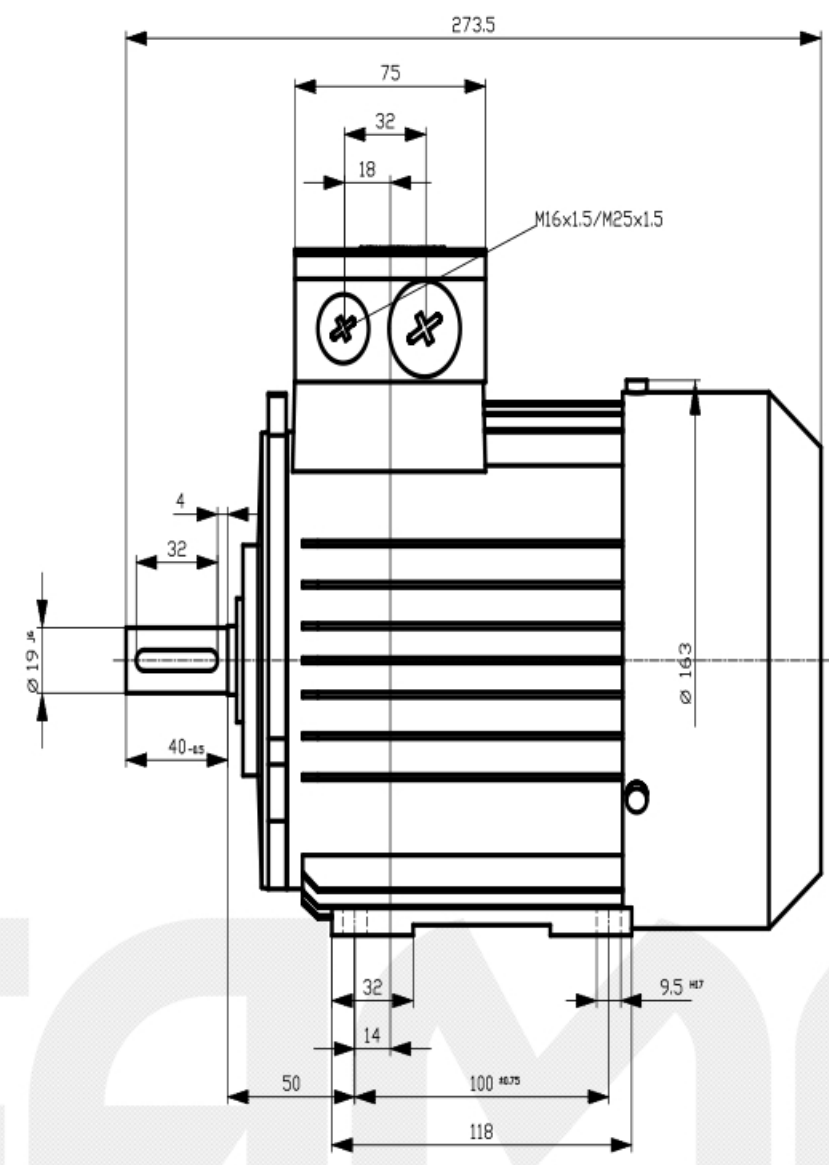
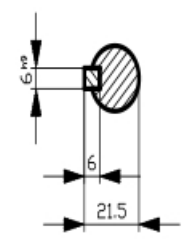
Tel: 48 0000 49 (60 Lines)

1. 2. 3. 4. 5. 6. 7. 8.
 A. B. C. D. E. F.

Transmittal, reproduction, dissemination and/or selling of this document as well as utilization of its contents and communication thereof to others without express authorization are prohibited. Offenders will be held liable for damages. Siemens AG is not liable for any patent grant or registration of a utility model or design patent.

Weitergabe sowie Vervielfältigung, Verbreitung, insbesondere Bearbeitung dieses Dokumentes, Verwertung und Mitteilung seines Inhaltes sind verboten, soweit nicht ausdrücklich gestattet. Zuwiderhandlungen verpflichten zu Schadenersatz. Alle Rechte vorbehalten.

Confidà a titre de secret d'entreprise. Tous droits réservés. Communicado como secreto empresarial. Reservados todos os direitos.



Tolerance	Surface	Material	Weight	Scale
1LA7083-4AA10	Author Creator Approval Department Change Order	Dimensional drawing Maßzeichnung	MJFB	Doc Type
	Doc State: 1/22/19	Item No	Paper Size: A3	
	Revision: Inden IS	Doc No	1st Language: en 2nd Language: de	
© Siemens AG 2016	Project No: -	Ref No: -	Sheet: 1 of 1	

Tel: 48 0000 49 (60 Lines)

1. 2. 3. 4. 5. 6. 7. 8.