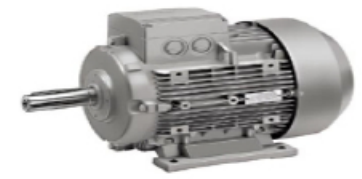


Data sheet for three-phase Squirrel-Cage-Motors



MLFB-Ordering data : 1LA7083-4AA12

Client order no. :
Order no. :
Offer no. :
Remarks :

Item no. :
Consignment no. :
Project :

Electrical data:

| | | | | | | |
|----------------------------|---|--------|-------------|-------|-------|-------|
| Rated voltage : | (1) 230 VD/400 VY, 50 Hz, 460 VY, 60 Hz | | | | | |
| Frequency : | 50 Hz | | 60 Hz | | | |
| Rated power : | 0.75 kW | | 0.86 kW | | | |
| Rated speed : | 1395 1/ min | | 1695 1/ min | | | |
| Rated torque : | 5.1 Nm | | 4.8 Nm | | | |
| Rated current (IE) : | VD | VY | VY | | | |
| | 3.27 A | 1.88 A | 1.79 A | | | |
| Starting / rated current : | 4.2 | | 5.1 | | | |
| Breakdown / rated torque : | 2.3 | | 2.3 | | | |
| Starting / rated torque : | 2.3 | | 2.3 | | | |
| Efficiency % | 4/4 | 3/4 | 2/4 | 4/4 | 3/4 | 2/4 |
| | 72.1% | 72.1% | 68.1% | 75.5% | 75.5% | 72.5% |
| Power factor : | 0.80 | 0.75 | 0.66 | 0.80 | 0.75 | 0.65 |
| Efficiency class : | IE1 | | -/ | | | |

Mechanical data:

| | | |
|--|--|----------|
| Sound pressure level 50Hz/60Hz (load) : | 47 dB(A) | 51 dB(A) |
| Moment of inertia : | 0.0017 kg*m ² | |
| Bearing DE : | 6004 2ZC3 | |
| Bearing NDE : | 6004 2ZC3 | |
| Type of bearing : | Floating bearings pre-loaded DE (standard) | |
| Condensate drainage holes : | No | |
| Regreasing device : | No | |
| Lubricants : | Esso Unirex N3 | |
| Grease lifetime/Relubrication interval : | 40000 h | |
| Quantity of grease for relubrication : | null g | |
| External earthing terminal : | No | |
| Coating : | Special paint finish RAL 7030 stone gray | |

Environmental conditions:

| | |
|--------------------------------|------------------------|
| Ambient temperature : | -20 °C - +40 °C |
| Altitude above sea level : | 1000 m |
| Standards and specifications : | IEC, DIN, ISO, VDE, EN |

General data:

| | |
|--|---|
| Frame size | 080 M |
| Design of electrical machine : | (2) IM B14 / V18 / V19, standard flange |
| Weight in kg, without optional accessories : | 10.00 kg |
| Frame material : | Aluminum |
| Degree of protection : | IP 55 |
| Method of cooling, TEFC : | IC 411 |
| Vibration class : | A (Standard) |
| Insulation : | 155(F) to 130(B) |
| Duty type : | S1 - continuous duty |
| Direction of rotation : | Bi-directional |

Terminal box:

| | |
|----------------------------------|--------|
| Material of terminal box : | |
| Type of terminal box : | gk 030 |
| Contact screw thread : | |
| Max. cross-sectional area : | |
| Cable diameter from ... to ... : | |
| Cable entry : | |
| Cable gland : | |

Special design:

Tel: 48 0000 49 (60 Lines)

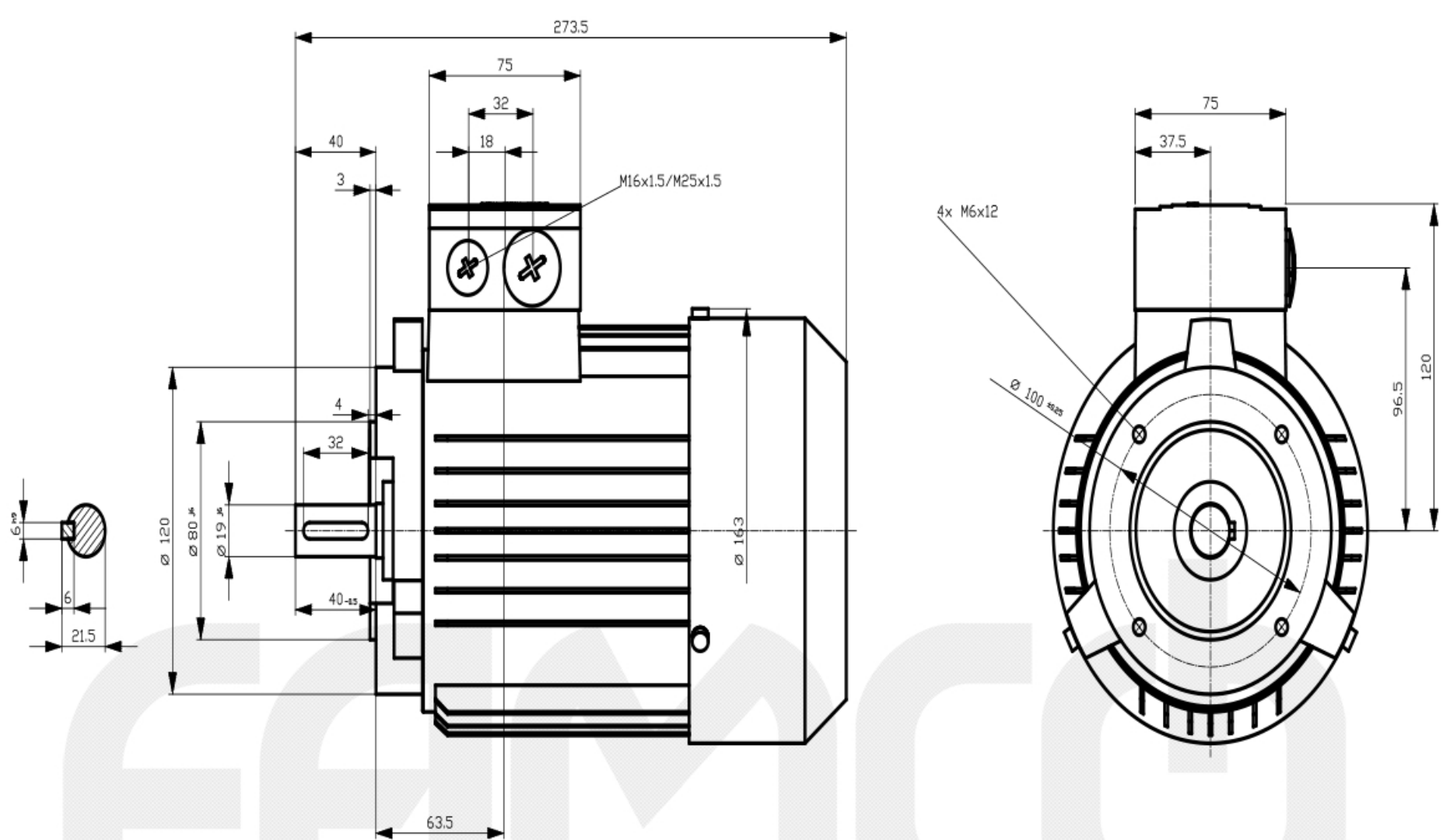
Transmissie, reproductie, verspreiding, verspreiding en/of het gebruik van dit document is
 niet toegestaan. Het gebruik van dit document is uitsluitend bestemd voor de afnemer en kan vertrouwelijk of anderszins wettelijk beschermd zijn. Het is niet toegestaan het document te kopiëren, te verspreiden of anderszins openbaar te maken. Het is niet toegestaan het document te verspreiden of anderszins openbaar te maken. Het is niet toegestaan het document te verspreiden of anderszins openbaar te maken.

Weitergabe sowie Vervielfältigung, Verbreitung, insbesondere Bearbeitung dieses Dokuments, Anweisung und Vervielfältigung seines Inhaltes sind verboten, soweit nicht ausdrücklich gestattet. Zuwiderhandlungen verpflichten zu Schadenersatz. Alle Rechte vorbehalten.

Weitergabe sowie Vervielfältigung, Verbreitung, insbesondere Bearbeitung dieses Dokuments, Anweisung und Vervielfältigung seines Inhaltes sind verboten, soweit nicht ausdrücklich gestattet. Zuwiderhandlungen verpflichten zu Schadenersatz. Alle Rechte vorbehalten.

Confidencial e secreto empresarial. Todos los derechos reservados. Reservados todos los derechos. Comunique a todos los propietarios de los derechos.

Confidant als geheime informatie. Het is niet toegestaan het document te verspreiden of anderszins openbaar te maken. Het is niet toegestaan het document te verspreiden of anderszins openbaar te maken.



| | | | | |
|-------------------|--------------|---------------------|----------|------------------------------------|
| Tolerance | Surface | Material | Weight | Scale |
| 1LA7083-4AA12 | Author | Dimensional drawing | | |
| | Creator | Maßzeichnung | | |
| | Approval | DTK | | |
| | Department | | | |
| | Change Order | MFB | Doc Type | |
| | Doc State | 1/22/19 | Item No | Paper Size A3 |
| | Revision | Inden IS | Doc No | 1st Language en 2nd Language de |
| © Siemens AG 2016 | Project No | - | Ref No | Sheet 1 of 1 |

Tel: 48 0000 49 (60 Lines)

SIEMENS