

Data sheet for three-phase Squirrel-Cage-Motors



MLFB-Ordering data : 1LA7090-2AA10

Client order no. :
Order no. :
Offer no. :
Remarks :

Item no. :
Consignment no. :
Project :

Electrical data:

Rated voltage :	(1) 230 VD/400 VY, 50 Hz, 460 VY, 60 Hz					
Frequency :	50 Hz		60 Hz			
Rated power :	1.50 kW		1.75 kW			
Rated speed :	2860 1/ min		3460 1/ min			
Rated torque :	5.0 Nm		4.8 Nm			
Rated current (IE) :	VD	VY	VY			
	5.74 A	3.30 A	3.25 A			
Starting / rated current :	5.5		6.0			
Breakdown / rated torque :	2.7		2.7			
Starting / rated torque :	2.4		2.4			
Efficiency %	4/4	3/4	2/4	4/4	3/4	2/4
	77.2%	77.7%	74.2%	78.5%	79.0%	78.2%
Power factor :	0.85	0.81	0.73	0.86	0.83	0.75
Efficiency class :	IE1		-/-			

Mechanical data:

Sound pressure level 50Hz/60Hz (load) :	60 dB(A)	64 dB(A)
Moment of inertia :	0.0014 kg*m ²	
Bearing DE :	6205 2ZC3	
Bearing NDE :	6004 2ZC3	
Type of bearing :	Floating bearings pre-loaded DE (standard)	
Condensate drainage holes :	No	
Regreasing device :	No	
Lubricants :	Esso Unirex N3	
Grease lifetime/Relubrication interval :	40000 h	
Quantity of grease for relubrication :	null g	
External earthing terminal :	No	
Coating :	Special paint finish RAL 7030 stone gray	

Environmental conditions:

Ambient temperature :	-20 °C - +40 °C
Altitude above sea level :	1000 m
Standards and specifications :	IEC, DIN, ISO, VDE, EN

General data:

Frame size	090 S
Design of electrical machine :	(0) IM B3 / B6 / B7 / B8 / V5 without canopy
Weight in kg, without optional accessories :	12.90 kg
Frame material :	Aluminum
Degree of protection :	IP 55
Method of cooling, TEFC :	IC 411
Vibration class :	A (Standard)
Insulation :	155(F) to 130(B)
Duty type :	S1 - continuous duty
Direction of rotation :	Bi-directional

Terminal box:

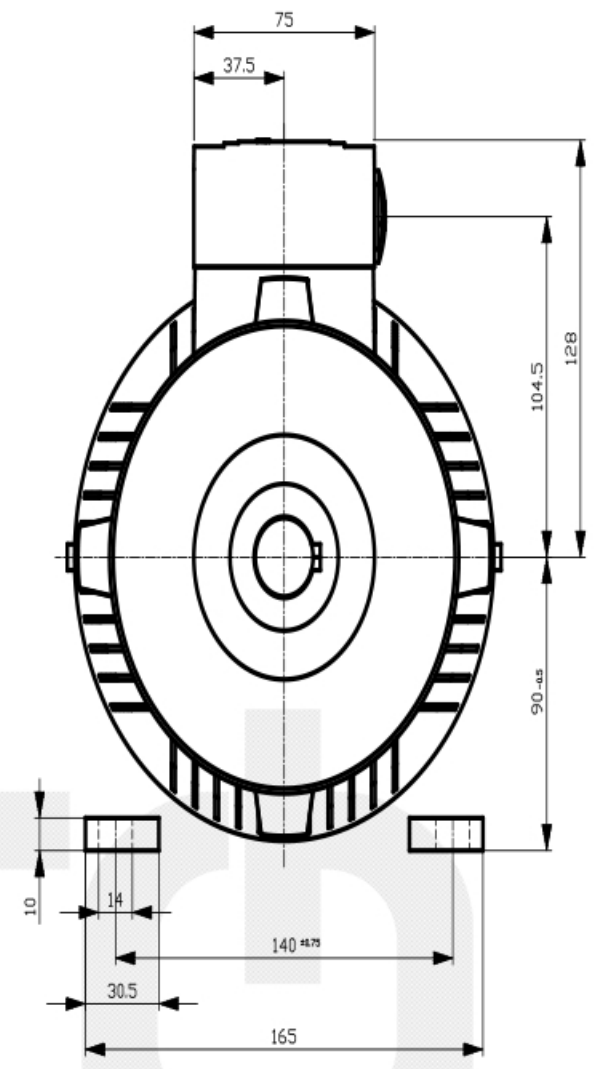
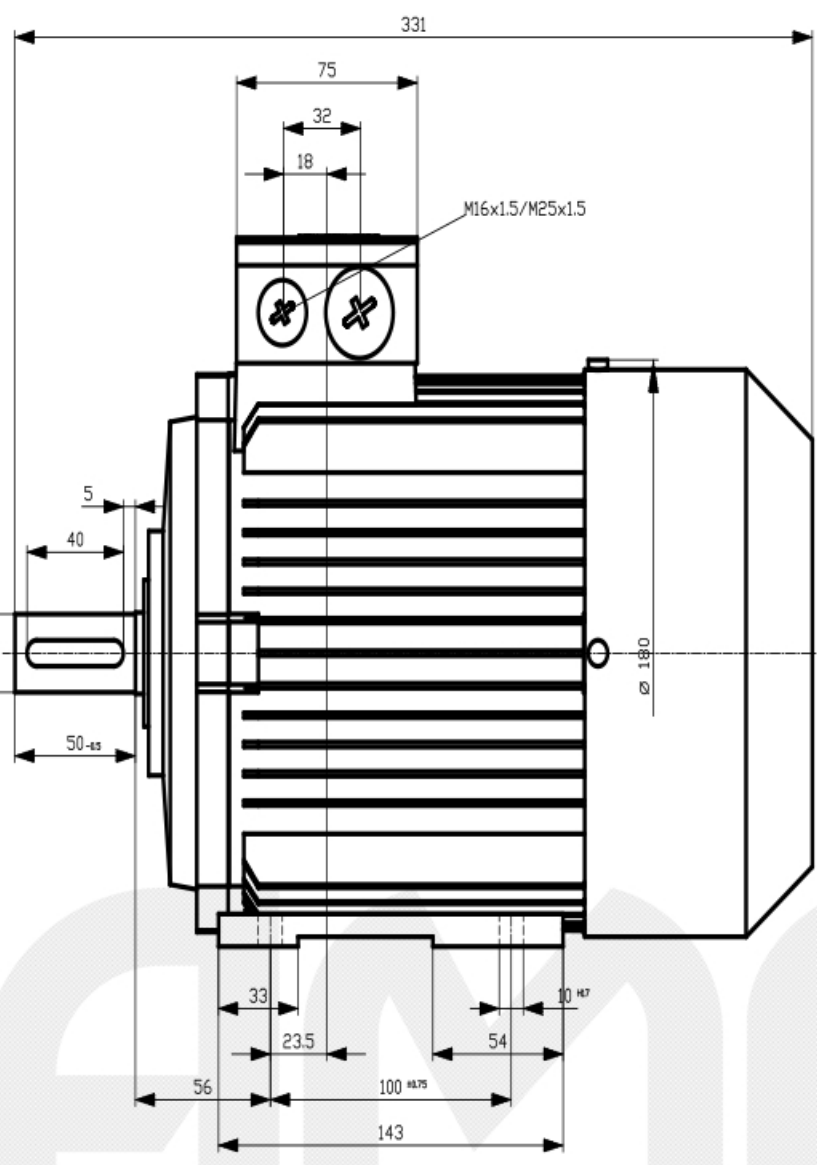
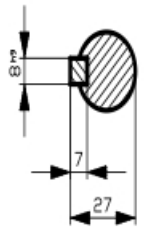
Material of terminal box :	
Type of terminal box :	gk 030
Contact screw thread :	
Max. cross-sectional area :	
Cable diameter from ... to ... :	
Cable entry :	
Cable gland :	

Special design:

Tous droits réservés. Toute réimpression, reproduction, diffusion, dissémination et/ou édition de ce document est interdite sans autorisation écrite de Siemens AG. Toute utilisation non autorisée de ce document est interdite. Les droits de propriété intellectuelle de Siemens AG sont réservés.

Confidencial como secreto de empresa. Toda reproducción, distribución, difusión, diseminación y/o edición de este documento sin el consentimiento escrito de Siemens AG está prohibida. Toda utilización no autorizada de este documento es prohibida. Los derechos de propiedad intelectual de Siemens AG están reservados.

Copyright © Siemens AG 2016. All rights reserved. Reproduction, distribution, dissemination and/or editing of this document without express authorization are prohibited. Offenders will be held liable for damages. All rights reserved.



Tolerance	Surface	Material	Weight	Scale
1LA7090-2AA10	Author	Dimensional drawing		
	Creator	Maßzeichnung		
	Approval			
	Department			
	Change Order	MJFB	Doc Type	
	Doc State	1/22/19	Item No	Paper Size A3
	Revision	Index RS	Doc No	1st Language en 2nd Language de
© Siemens AG 2016	Project No	-	Ref No	Sheet 1 of 1

Tel: 48 0000 49 (60 Lines)

