



Data sheet for three-phase Squirrel-Cage-Motors

MLFB-Ordering data : 1LA7090-4AA11

Client order no. :
Order no. :
Offer no. :
Remarks :

Item no. :
Consignment no. :
Project :

Electrical data:

Rated voltage :	(1) 230 VD/400 VY, 50 Hz, 460 VY, 60 Hz					
Frequency :	50 Hz		60 Hz			
Rated power :	1.10 kW		1.30 kW			
Rated speed :	1415 1/ min		1715 1/ min			
Rated torque :	7.4 Nm		7.2 Nm			
Rated current (IE) :	VD	VY	VY			
	4.52 A	2.60 A	2.45 A			
Starting / rated current :	4.6		5.0			
Breakdown / rated torque :	2.4		2.4			
Starting / rated torque :	2.3		2.3			
Efficiency %	4/4	3/4	2/4	4/4	3/4	2/4
	75.0%	75.0%	72.0%	79.0%	79.5%	77.0%
Power factor :	0.81	0.76	0.66	0.82	0.77	0.67
Efficiency class :	IE1		IE1			

Mechanical data:

Sound pressure level 50Hz/60Hz (load) :	48 dB(A)	52 dB(A)
Moment of inertia :	0.0024 kg*m ²	
Bearing DE :	6205 2ZC3	
Bearing NDE :	6004 2ZC3	
Type of bearing :	Floating bearings pre-loaded DE (standard)	
Condensate drainage holes :	No	
Regreasing device :	No	
Lubricants :	Esso Unirex N3	
Grease lifetime/Relubrication interval :	40000 h	
Quantity of grease for relubrication :	null g	
External earthing terminal :	No	
Coating :	Special paint finish RAL 7030 stone gray	

Environmental conditions:

Ambient temperature :	-20 °C - +40 °C
Altitude above sea level :	1000 m
Standards and specifications :	IEC, DIN, ISO, VDE, EN

General data:

Frame size	090 S
Design of electrical machine :	(1) IM B5 / V1 without canopy
Weight in kg, without optional accessories :	13.00 kg
Frame material :	Aluminum
Degree of protection :	IP 55
Method of cooling, TEFC :	IC 411
Vibration class :	A (Standard)
Insulation :	155(F) to 130(B)
Duty type :	S1 - continuous duty
Direction of rotation :	Bi-directional

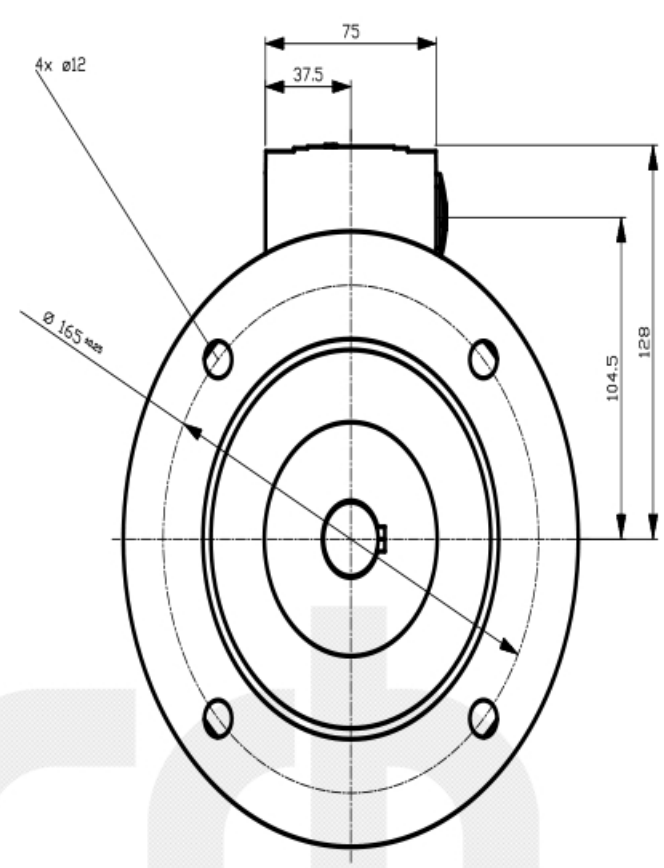
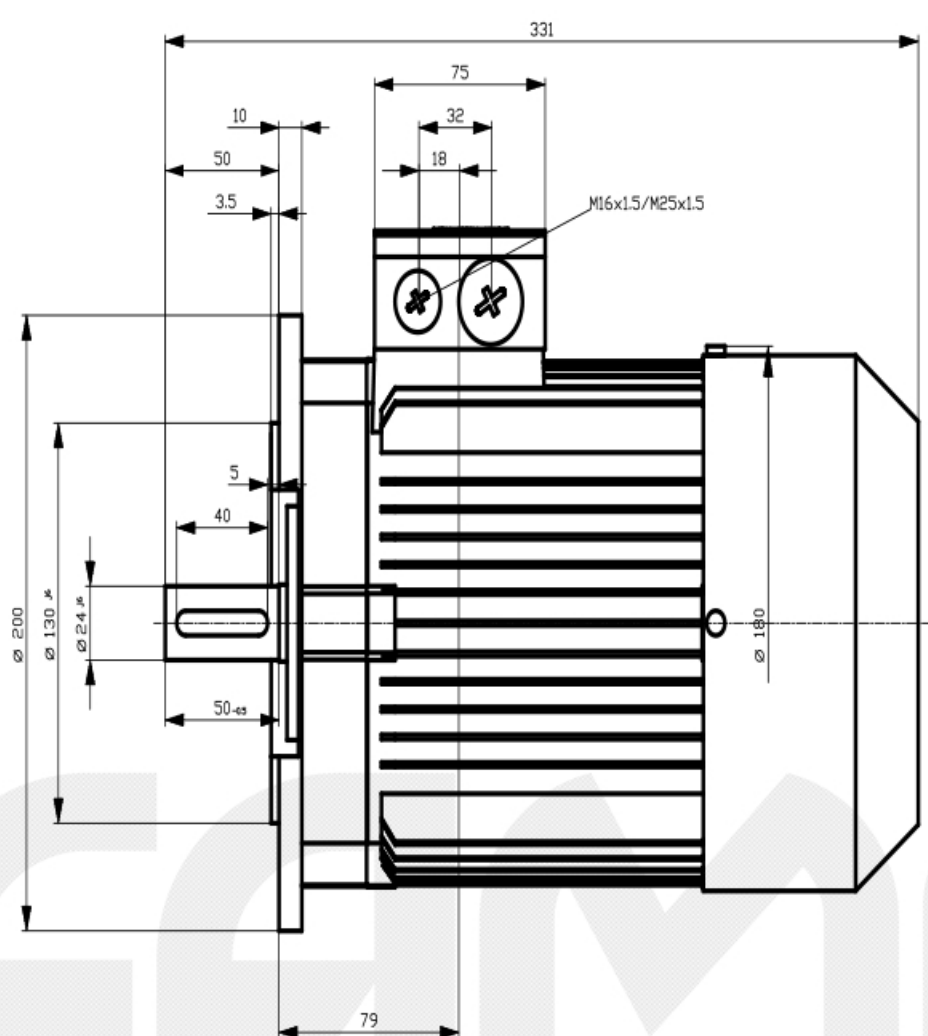
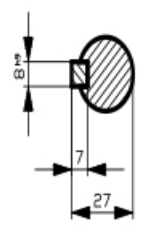
Terminal box:

Material of terminal box :	
Type of terminal box :	gk 030
Contact screw thread :	
Max. cross-sectional area :	
Cable diameter from ... to ... :	
Cable entry :	
Cable gland :	

Special design:

Tel: 48 0000 49 (60 Lines)

Tous droits réservés. Toute réimpression, reproduction, diffusion, modification ou utilisation non autorisée sans la permission écrite de la Siemens AG est formellement interdite. Toute violation de ces droits est poursuivie en justice.
 Alle Rechte vorbehalten. Nachdruck, Vervielfältigung und Verbreitung, auch auszugsweise, ist ohne schriftliche Genehmigung der Siemens AG.
 All rights reserved. Any reprinting or unauthorized use without the written permission of Siemens AG is expressly prohibited. Any violation of these rights will be pursued in court.
 Todos los derechos reservados. Toda reproducción o uso no autorizado sin el consentimiento escrito de Siemens AG quedan expresamente prohibidos. Toda violación de estos derechos será perseguida judicialmente.
 Confidantia como secreto de empresa. Nos reservamos todos los derechos.



Tolerance	Surface	Material	Weight	Scale	
1LA7090-4AA11	Author	Dimensional drawing Maßzeichnung			
	Creator				DTK
	Approval				
	Department				
	Change Order	MFB	Doc Type		
	Doc State	1/22/19	Item No	Paper Size A3	
	Revision	Inden IS	Doc No	1st Language en 2nd Language de	
© Siemens AG 2016	Project No	-	Ref No	Sheet 1 of 1	

Tel: 48 0000 49 (60 Lines)

SIEMENS