

Data sheet for three-phase Squirrel-Cage-Motors



MLFB-Ordering data : 1LA7090-6AA10

Client order no. :
Order no. :
Offer no. :
Remarks :

Item no. :
Consignment no. :
Project :

Electrical data:

Rated voltage :	(1) 230 VD/400 VY, 50 Hz, 460 VY, 60 Hz					
Frequency :	50 Hz		60 Hz			
Rated power :	0.75 kW		0.86 kW			
Rated speed :	915 1/ min		1115 1/ min			
Rated torque :	7.8 Nm		7.4 Nm			
Rated current (IE) :	VD	VY	VY			
	3.57 A	2.05 A	1.97 A			
Starting / rated current :	3.7		4.1			
Breakdown / rated torque :	2.2		2.2			
Starting / rated torque :	2.2		2.2			
Efficiency %	4/4	3/4	2/4	4/4	3/4	2/4
	70.0%	70.0%	66.0%	73.0%	73.0%	70.0%
Power factor :	0.76	0.70	0.58	0.75	0.69	0.56
Efficiency class :	-/-		IE1			

Mechanical data:

Sound pressure level 50Hz/60Hz (load) :	43 dB(A)	47 dB(A)
Moment of inertia :	0.0024 kg*m ²	
Bearing DE :	6205 2ZC3	
Bearing NDE :	6004 2ZC3	
Type of bearing :	Floating bearings pre-loaded DE (standard)	
Condensate drainage holes :	No	
Regreasing device :	No	
Lubricants :	Esso Unirex N3	
Grease lifetime/Relubrication interval :	40000 h	
Quantity of grease for relubrication :	null g	
External earthing terminal :	No	
Coating :	Special paint finish RAL 7030 stone gray	

Environmental conditions:

Ambient temperature :	-20 °C - +40 °C
Altitude above sea level :	1000 m
Standards and specifications :	IEC, DIN, ISO, VDE, EN

General data:

Frame size	090 S
Design of electrical machine :	(0) IM B3 / B6 / B7 / B8 / V5 without canopy
Weight in kg, without optional accessories :	12.50 kg
Frame material :	Aluminum
Degree of protection :	IP 55
Method of cooling, TEFC :	IC 411
Vibration class :	A (Standard)
Insulation :	155(F) to 130(B)
Duty type :	S1 - continuous duty
Direction of rotation :	Bi-directional

Terminal box:

Material of terminal box :	
Type of terminal box :	gk 030
Contact screw thread :	
Max. cross-sectional area :	
Cable diameter from ... to ... :	
Cable entry :	
Cable gland :	

Special design:

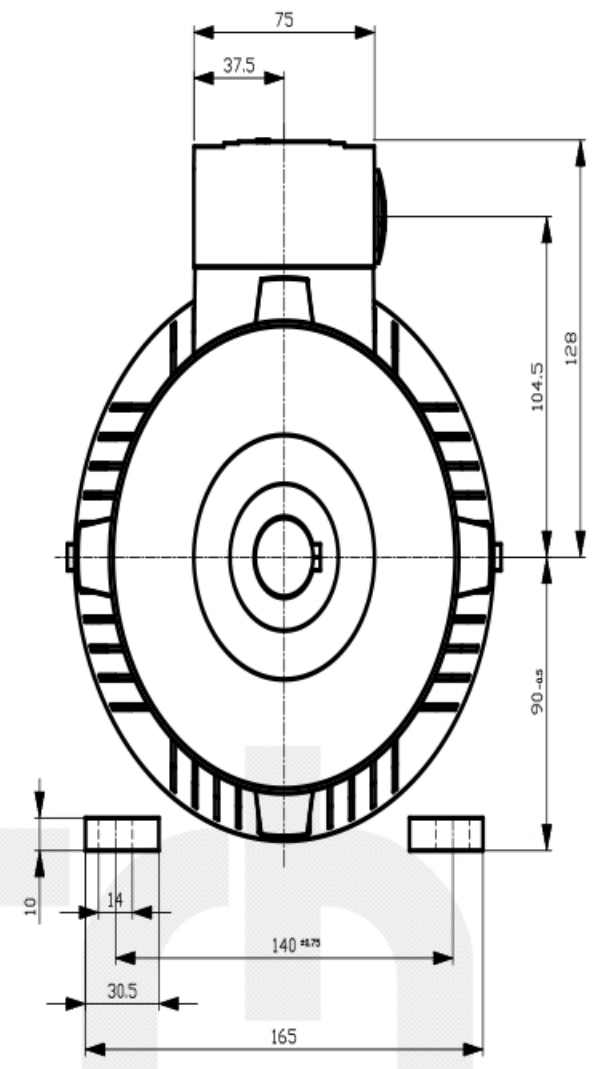
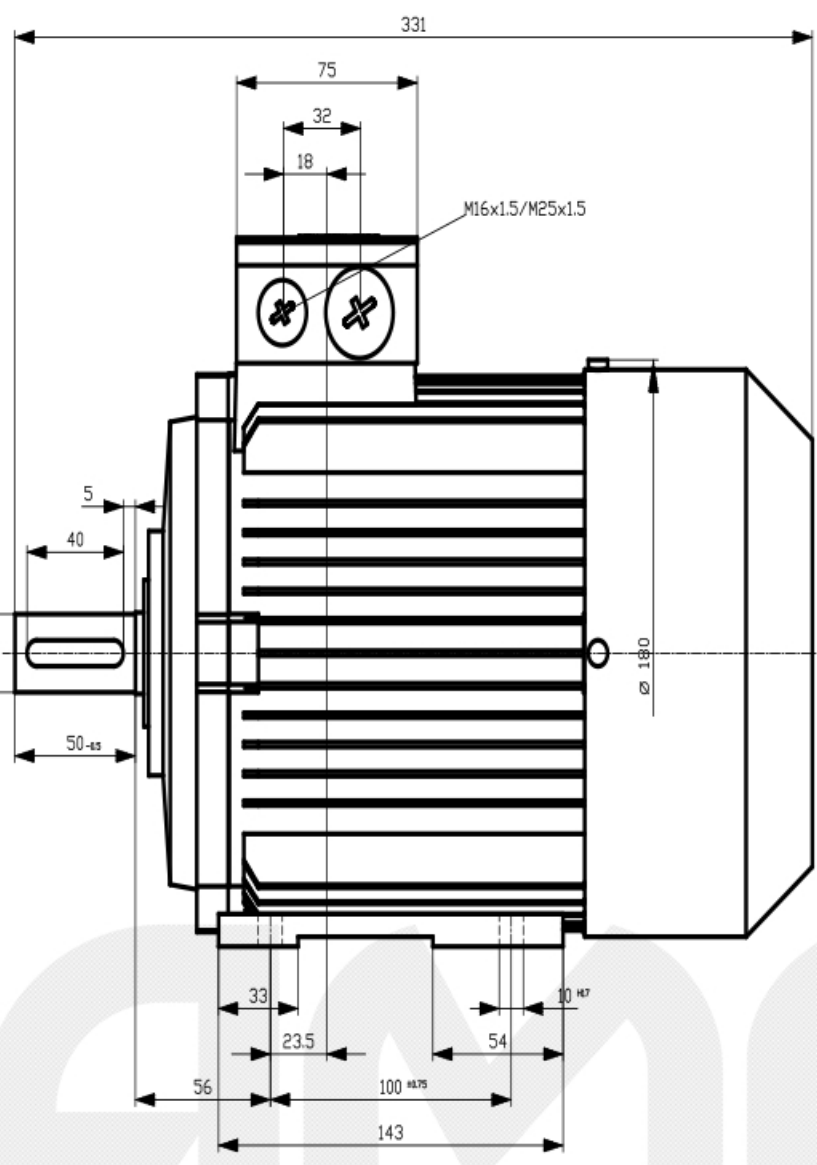
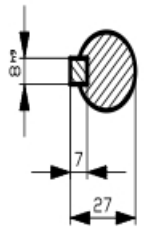
Tel: 48 0000 49 (60 Lines)

This document contains confidential information and/or information of others. Reproduction, dissemination and/or editing of this document as well as utilization of its contents and communication thereof to others without express authorization are prohibited. Offenders will be held liable for damages. Siemens AG is not liable for any grant or registration of a utility model or design patent.

Weitergabe sowie Veröffentlichung, Verbreitung und Mitteilung des Inhaltes dieses Dokumentes, sowie die Nutzung des Inhaltes und die Kommunikation des Inhaltes zu anderen ohne ausdrückliche Genehmigung sind untersagt. Zuwiderhandlungen verpflichten zu Schadenersatz. Siemens AG haftet nicht für die Gewährung oder den Erwerb von Gebrauchsmustern oder Designpatenten.

Confidencial e secreto empresarial. Toda copia reservada. Comunicado como secreto empresarial. Reservados todos los derechos. No se permite la revelación ni la comunicación de los contenidos de este documento a terceros sin el consentimiento expreso de Siemens AG. No nos responsabilizamos de la concesión o el registro de patentes de utilidad o de diseños.

Confidantiale en het geheim van de onderneming. Het verspreiden van de inhoud van dit document of het gebruik van de inhoud van dit document is niet toegestaan. Siemens AG aanvaardt geen aansprakelijkheid voor het toekennen of registreren van octrooien of modellen.



Tolerance	Surface	Material	Weight	Scale
1LA7090-6AA10	Author Creator Approval Department Change Order	Dimensional drawing Maßzeichnung	MJFB	Doc Type
	Doc State: 1/22/19	Item No	Paper Size: A3	
	Revision: Inden RS	Doc No	1st Language: en 2nd Language: de	
© Siemens AG 2016	Project No: -	Ref No: -	Sheet: 1 of 1	

Tel: 48 0000 49 (60 Lines)

SIEMENS