

## Data sheet for three-phase Squirrel-Cage-Motors



**MLFB-Ordering data : 1LA7096-4AA12**

Client order no. :  
Order no. :  
Offer no. :  
Remarks :

Item no. :  
Consignment no. :  
Project :

### Electrical data:

Rated voltage :	(1) 230 VD/400 VY, 50 Hz, 460 VY, 60 Hz					
Frequency :	50 Hz		60 Hz			
Rated power :	1.50 kW		1.75 kW			
Rated speed :	1420 1/ min		1720 1/ min			
Rated torque :	10.1 Nm		9.7 Nm			
Rated current (IE) :	VD	VY	VY			
	6.00 A	3.45 A	3.30 A			
Starting / rated current :	5.3		5.6			
Breakdown / rated torque :	2.6		2.6			
Starting / rated torque :	2.4		2.4			
Efficiency %	4/4	3/4	2/4	4/4	3/4	2/4
	77.2%	77.7%	74.2%	81.5%	81.5%	80.5%
Power factor :	0.81	0.76	0.66	0.82	0.77	0.67
Efficiency class :	IE1		IE1			

### Mechanical data:

Sound pressure level 50Hz/60Hz (load) :	48 dB(A)	52 dB(A)
Moment of inertia :	0.0033 kg*m <sup>2</sup>	
Bearing DE :	6205 2ZC3	
Bearing NDE :	6004 2ZC3	
Type of bearing :	Floating bearings pre-loaded DE (standard)	
Condensate drainage holes :	No	
Regreasing device :	No	
Lubricants :	Esso Unirex N3	
Grease lifetime/Relubrication interval :	40000 h	
Quantity of grease for relubrication :	null g	
External earthing terminal :	No	
Coating :	Special paint finish RAL 7030 stone gray	

### Environmental conditions:

Ambient temperature :	-20 °C - +40 °C
Altitude above sea level :	1000 m
Standards and specifications :	IEC, DIN, ISO, VDE, EN

### General data:

Frame size	090 L
Design of electrical machine :	(2) IM B14 / V18 / V19, standard flange
Weight in kg, without optional accessories :	15.60 kg
Frame material :	Aluminum
Degree of protection :	IP 55
Method of cooling, TEFC :	IC 411
Vibration class :	A (Standard)
Insulation :	155(F) to 130(B)
Duty type :	S1 - continuous duty
Direction of rotation :	Bi-directional

### Terminal box:

Material of terminal box :	
Type of terminal box :	gk 030
Contact screw thread :	
Max. cross-sectional area :	
Cable diameter from ... to ... :	
Cable entry :	
Cable gland :	

### Special design:

**Tel: 48 0000 49** (60 Lines)

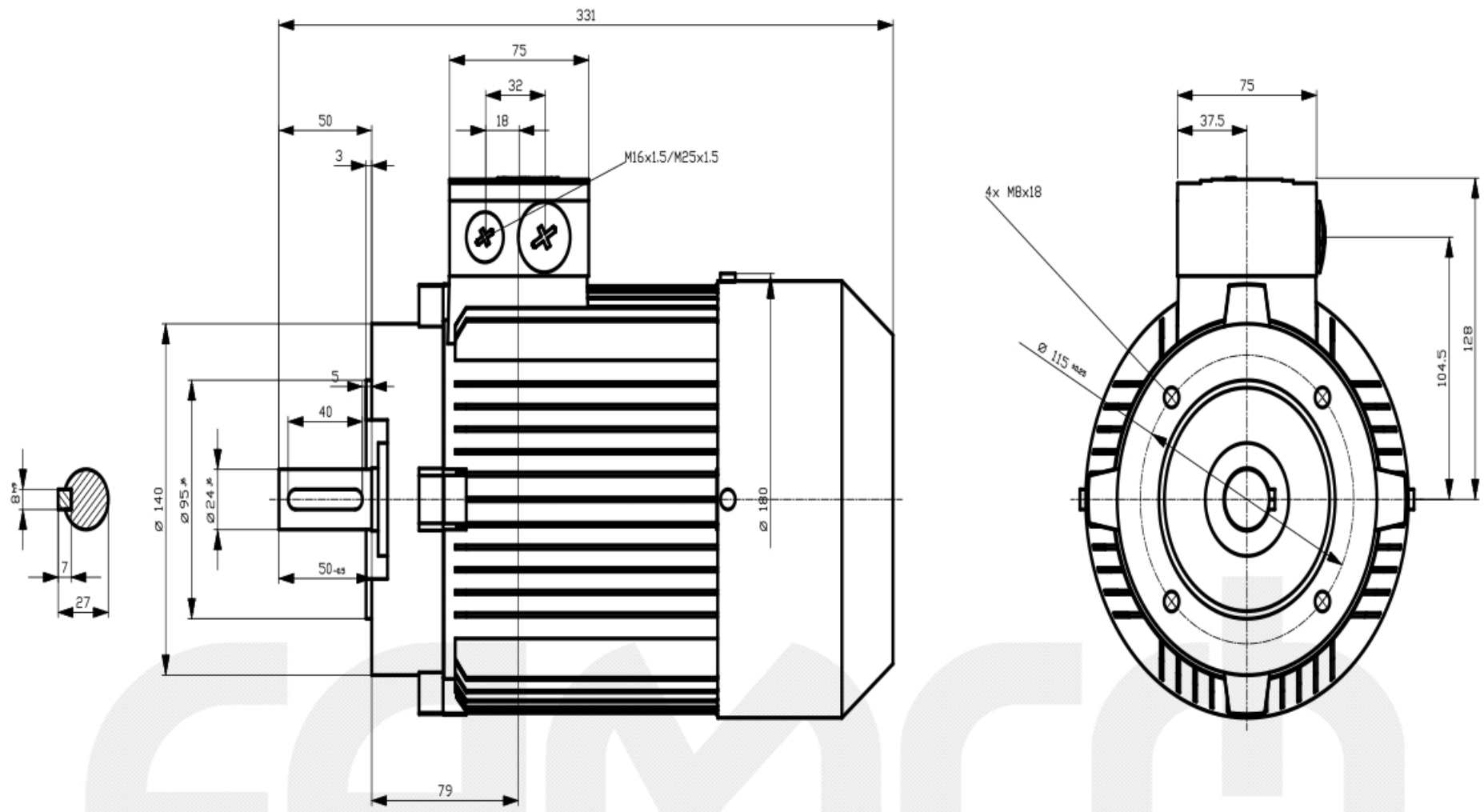
Tous droits réservés. Toute réimpression, reproduction, dissémination ou/et édition de ce document sans autorisation écrite de la Siemens AG est formellement interdite. Toute utilisation non autorisée sans autorisation écrite de la Siemens AG est formellement interdite.

Weitergabe sowie Vervielfältigung, Verbreitung, und/oder Bearbeitung dieses Dokumentes, Verwertung und Vervielfältigung seines Inhaltes sind verboten, soweit nicht ausdrücklich gestattet. Zuwiderhandlungen verpflichten zu Schadenersatz. Alle Rechte vorbehalten.

Confidencial como secreto de empresa. Reservados todos los derechos. No se permite la explotación económica ni la transformación de esta obra. Queda permitida la impresión en su totalidad.

Confidant als Geschäftsgeheimnis. Reserviert alle Rechte. Nachdruck, Vervielfältigung und Verbreitung, auch auszugsweise, ist ohne schriftliche Genehmigung der Siemens AG.

Confidential as trade secret. Reserved all rights. No part of this document may be reproduced, stored in a retrieval system, or transmitted, in any form or by any means, without express authorization in writing from Siemens AG.



Tolerance	Surface	Material	Weight	Scale
1LA7096-4AA12	Author	Dimensional drawing		
	Creator	Maßzeichnung		
	Approval			
	Department			
	Change Order	MFB	Doc Type	
	Doc State	1/22/19	Item No	Paper Size A3
	Revision	Inden	Doc No	1st Language en
				2nd Language de
© Siemens AG 2016	Project No	-	Ref No	-
				Sheet 1 of 1

**Tel: 48 0000 49** (60 Lines)

**SIEMENS**