

## Data sheet for three-phase Squirrel-Cage-Motors



**MLFB-Ordering data : 1LA7096-6AA11**

Client order no. :  
Order no. :  
Offer no. :  
Remarks :

Item no. :  
Consignment no. :  
Project :

### Electrical data:

Rated voltage :	(1) 230 VD/400 VY, 50 Hz, 460 VY, 60 Hz					
Frequency :	50 Hz		60 Hz			
Rated power :	1.10 kW		1.30 kW			
Rated speed :	915 1/ min		1115 1/ min			
Rated torque :	11.5 Nm		11.1 Nm			
Rated current (IE) :	VD	VY	VY			
	4.96 A	2.85 A	2.75 A			
Starting / rated current :	3.8		4.2			
Breakdown / rated torque :	2.3		2.3			
Starting / rated torque :	2.3		2.3			
Efficiency %	4/4	3/4	2/4	4/4	3/4	2/4
	72.9%	72.9%	69.9%	75.0%	75.0%	72.0%
Power factor :	0.77	0.71	0.59	0.77	0.71	0.59
Efficiency class :	-/-		IE1			

### Mechanical data:

Sound pressure level 50Hz/60Hz (load) :	43 dB(A)	47 dB(A)
Moment of inertia :	0.0033 kg*m <sup>2</sup>	
Bearing DE :	6205 2ZC3	
Bearing NDE :	6004 2ZC3	
Type of bearing :	Floating bearings pre-loaded DE (standard)	
Condensate drainage holes :	No	
Regreasing device :	No	
Lubricants :	Esso Unirex N3	
Grease lifetime/Relubrication interval :	40000 h	
Quantity of grease for relubrication :	null g	
External earthing terminal :	No	
Coating :	Special paint finish RAL 7030 stone gray	

### Environmental conditions:

Ambient temperature :	-20 °C - +40 °C
Altitude above sea level :	1000 m
Standards and specifications :	IEC, DIN, ISO, VDE, EN

### General data:

Frame size	090 L
Design of electrical machine :	(1) IM B5 / V1 without canopy
Weight in kg, without optional accessories :	15.70 kg
Frame material :	Aluminum
Degree of protection :	IP 55
Method of cooling, TEFC :	IC 411
Vibration class :	A (Standard)
Insulation :	155(F) to 130(B)
Duty type :	S1 - continuous duty
Direction of rotation :	Bi-directional

### Terminal box:

Material of terminal box :	
Type of terminal box :	gk 030
Contact screw thread :	
Max. cross-sectional area :	
Cable diameter from ... to ... :	
Cable entry :	
Cable gland :	

### Special design:

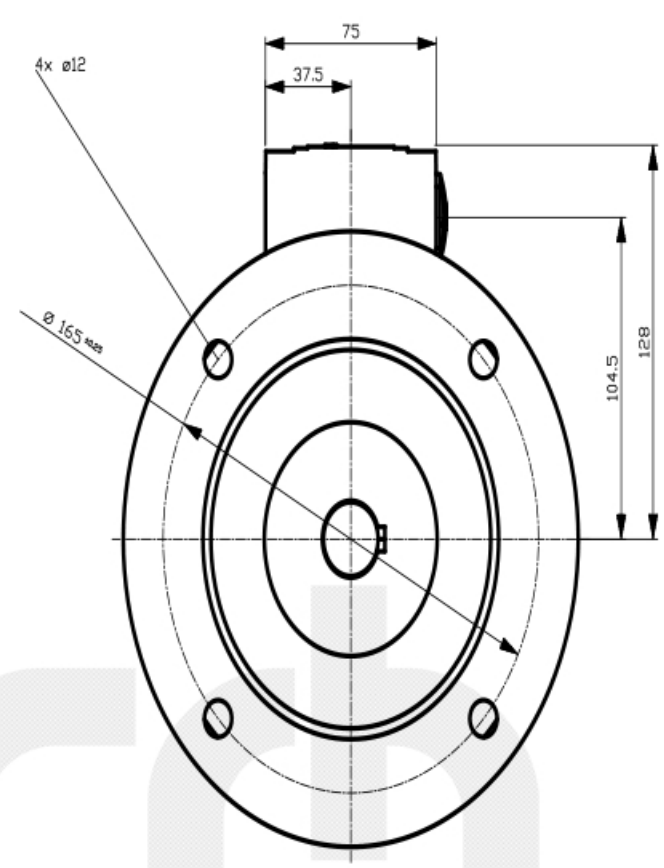
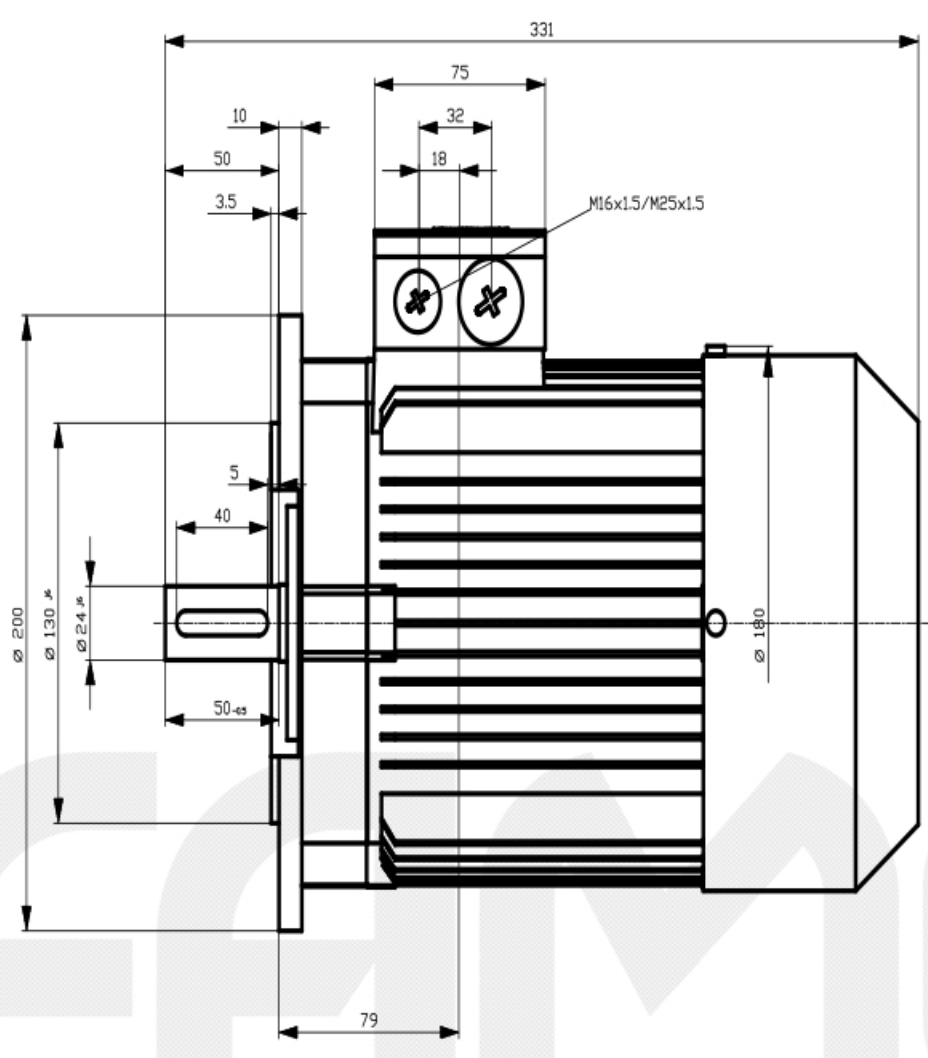
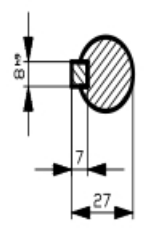
Transmissibel, reproduction, dissemination and/or selling of this document as well as utilization of its contents and communication thereof to others without express authorization are prohibited. Offenders will be held liable for damages. Infringement of patent rights will be prosecuted. Patent grant or registration of a utility model or design patent are reserved.

Weitergabe sowie Vervielfältigung, Verbreitung, und/oder Bearbeitung dieses Dokumentes, Verwertung und Mitteilung seines Inhaltes sind verboten, soweit nicht ausdrücklich gestattet. Zuwiderhandlungen verpflichten zu Schadenersatz. Nach der Erteilung von Gebrauchsmustern, Gebrauchsmuster- oder Geschmacksstoffpatenten vorbehalten.

Confidà a titre de secret d'entreprise. Tous droits réservés. Comunicado como secreto empresarial. Reservados todos los derechos.

Dostępny a w całości powożone jako wewnętrzną.

Confidado como secreto de empresa. Nos reservamos todos los derechos.



Tolerance	Surface	Material	Weight	Scale
1LA7096-6AA11	Author	Dimensional drawing		
	Creator	Maßzeichnung		
	Approval	DTK		
	Department			
	Change Order	MFB	Doc Type	
	Doc State	1/22/19	Item No	Paper Size A3
	Revision	Inden RS	Doc No	1st Language en
				2nd Language de
© Siemens AG 2016	Project No	-	Ref No	Sheet 1 of 1

**Tel: 48 0000 49 (60 Lines)**

**SIEMENS**