



MLFB-Ordering data: 1LE1002-1AA42-2AA4

Motor type: 1AV1104A

Client order no.:

Order no.:

Offer no.:

Remarks:

Item no.:

Consignment no.:

Project:

U [V]	Δ / Y	f [Hz]	P [kW]	P [hp]	I [A]	n [1/min]	M [Nm]	NOM. EFF at ... load [%]			Power factor at ... load			I _A /I _N I _f /I _N	M _A /M _N T _f /T _N	M _K /M _N T _B /T _N	IE-CL
								4/4	3/4	2/4	4/4	3/4	2/4				
230	Δ	50	3.00	- / -	10.60	2835	10.0	81.5	83.2	82.7	0.87	0.82	0.73	6.4	3.2	3.5	IE1
400	Y	50	3.00	- / -	6.10	2835	10.0	81.5	83.2	82.7	0.87	0.82	0.73	6.4	3.2	3.5	IE1
460	Y	60	3.45	- / -	5.80	3435	9.6	84.5	85.5	85.2	0.88	0.84	0.75	7.4	3.9	3.9	IE1
IM B3 / IM 1001			FS 100 L		20 kg	IP55	IEC/EN 60034		IEC, DIN, ISO, VDE, EN								

Mechanical data

Sound pressure level 50Hz/60Hz (load)	67 dB(A) ¹⁾	71 dB(A) ¹⁾
Moment of inertia	0.0034 kg m ²	
Bearing DE NDE	6206 2Z C3	6206 2Z C3
Bearing lifetime	40000 h	
Lubricants	Esso Unirex N3	
Regreasing device	No	
Grease nipple	- / -	
Type of bearing	Preloaded bearing DE	
Condensate drainage holes	No	
External earthing terminal		
Vibration severity grade	A	
Insulation	155(F) to 130(B)	
Duty type	S1	
Direction of rotation	bidirectional	
Frame material	aluminum	
Data of anti condensation heating	-/-	
Coating (paint finish)	Standard paint finish C2	
Color, paint shade	RAL7030	
Motor protection	(A) without (Standard)	
Method of cooling	IC411 - self ventilated, surface cooled	

Environmental conditions

Ambient temperature	-20 °C - +40 °C
Altitude above sea level	1000 m

Notes

I_A/I_N = locked rotor current / current nominal M_K/M_N = break down torque / nominal torque
M_A/M_N = locked rotor torque / torque nominal 1) Value is valid only for DOL operation with motor design IC411

Terminal box

Terminal box position	top
Material of terminal box	Aluminium
Type of terminal box	TB1 F00
Contact screw thread	M4
Max. cross-sectional area	4.0 mm ²
Cable diameter from ... to ...	11.0 mm - 21.0 mm
Cable entry	2xM32x1,5
Cable gland	2 plugs

Special design (0)

Tel: 48 0000 49 (60 Lines)

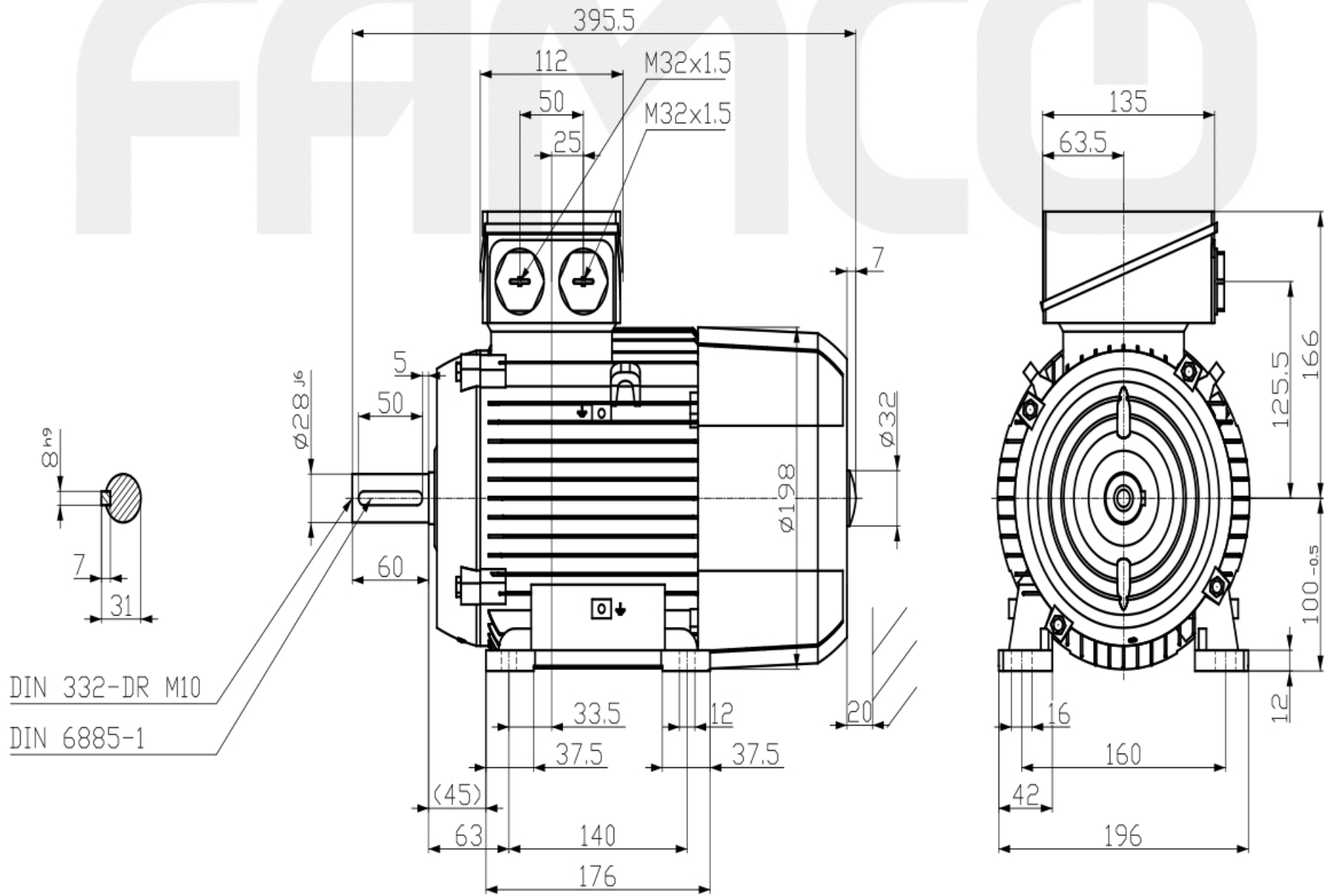
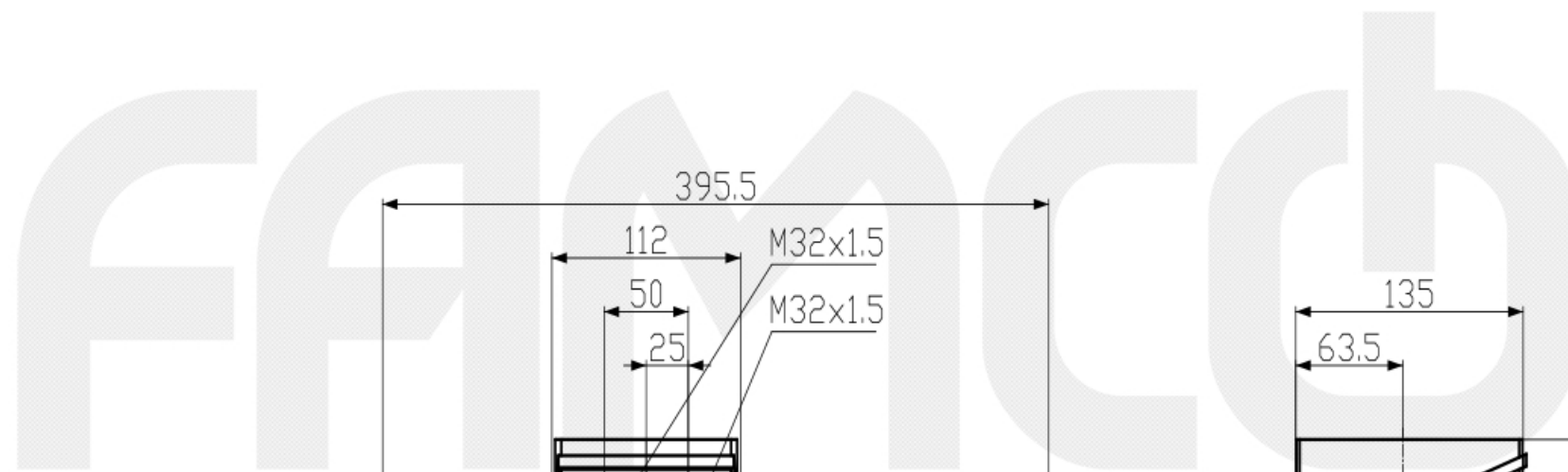
Transmittal, reproduction, dissemination and/or editing of this document as well as utilization of its contents and communication thereof to others without express authorization are prohibited. Offenders will be held liable for any damages. Infringement of patent rights will be prosecuted. All rights reserved.

Transmittal, reproduction, dissemination and/or editing of this document as well as utilization of its contents and communication thereof to others without express authorization are prohibited. Offenders will be held liable for any damages. Infringement of patent rights will be prosecuted. All rights reserved.

Weitergabe sowie Vervielfältigung, Verbreitung und Mitteilung dieses Dokuments, Verwendung und Mitteilung seines Inhaltes sind verboten, soweit nicht ausdrücklich gestattet. Zuwiderhandlungen verpflichten zu Schadenersatz. Alle Rechte vorbehalten.

Confidencial a título de secreto de empresa. Toda copia reservada. Comunicado como secreto empresarial. Reservados todos los derechos.

Confidant als Geschäftsgeheimnis. Alle Rechte vorbehalten.



DIN 332-DR M10
 DIN 6885-1

Tolerance	Surface	Material	Weight	Scale
1LE1002-1AA42-2AA4	Author	Dimensional drawing		
	Creator	Maßzeichnung		
	Approval			
	Department			
	Change Order	MFB	Doc. Type	
	Doc. State	1/19/19	Item No.	Page Size A3
	Revision	Index RS	Doc. No.	1st Language en
				2nd Language de
© Siemens AG 2018	Project No.	-	Ref. No.	Sheet 1 of 1

Tel: 48 0000 49 (60 Lines)