



**MLFB-Ordering data:** 1LE1002-1AB42-2FA4

**Motor type:** 1AV1104B

Client order no.:

Order no.:

Offer no.:

Remarks:

Item no.:

Consignment no.:

Project:

U [V]	Δ / Y	f [Hz]	P [kW]	P [hp]	I [A]	n [1/min]	M [Nm]	NOM. EFF at ... load [%]			Power factor at ... load			I <sub>A</sub> /I <sub>N</sub> I <sub>f</sub> /I <sub>N</sub>	M <sub>A</sub> /M <sub>N</sub> T <sub>f</sub> /T <sub>N</sub>	M <sub>K</sub> /M <sub>N</sub> T <sub>B</sub> /T <sub>N</sub>	IE-CL
								4/4	3/4	2/4	4/4	3/4	2/4				
230	Δ	50	2.20	- / -	8.60	1425	15.0	79.7	80.3	78.1	0.81	0.72	0.58	5.1	2.3	2.7	IE1
400	Y	50	2.20	- / -	4.90	1425	15.0	79.7	80.3	78.1	0.81	0.72	0.58	5.1	2.3	2.7	IE1
460	Y	60	2.54	- / -	4.70	1720	14.0	83.0	83.7	82.1	0.82	0.75	0.62	5.8	2.2	2.4	IE1
IM B5 / IM 3001			FS 100 L		18 kg	IP55	IEC/EN 60034		IEC, DIN, ISO, VDE, EN								

### Mechanical data

Sound pressure level 50Hz/60Hz (load)	60 dB(A) <sup>1)</sup>   62 dB(A) <sup>1)</sup>
Moment of inertia	0.0059 kg m <sup>2</sup>
Bearing DE   NDE	6206 2Z C3   6206 2Z C3
Bearing lifetime	40000 h
Lubricants	Esso Unirex N3
Regreasing device	No
Grease nipple	- / -
Type of bearing	Preloaded bearing DE
Condensate drainage holes	No
External earthing terminal	
Vibration severity grade	A
Insulation	155(F) to 130(B)
Duty type	S1
Direction of rotation	bidirectional
Frame material	aluminum
Data of anti condensation heating	-/-
Coating (paint finish)	Standard paint finish C2
Color, paint shade	RAL7030
Motor protection	(A) without (Standard)
Method of cooling	IC411 - self ventilated, surface cooled

### Environmental conditions

Ambient temperature	-20 °C - +40 °C
Altitude above sea level	1000 m

### Notes

I<sub>A</sub>/I<sub>N</sub> = locked rotor current / current nominal    M<sub>K</sub>/M<sub>N</sub> = break down torque / nominal torque  
M<sub>A</sub>/M<sub>N</sub> = locked rotor torque / torque nominal    1) Value is valid only for DOL operation with motor design IC411

### Terminal box

Terminal box position	top
Material of terminal box	Aluminium
Type of terminal box	TB1 F00
Contact screw thread	M4
Max. cross-sectional area	4.0 mm <sup>2</sup>
Cable diameter from ... to ...	11.0 mm - 21.0 mm
Cable entry	2xM32x1,5
Cable gland	2 plugs

### Special design (0)

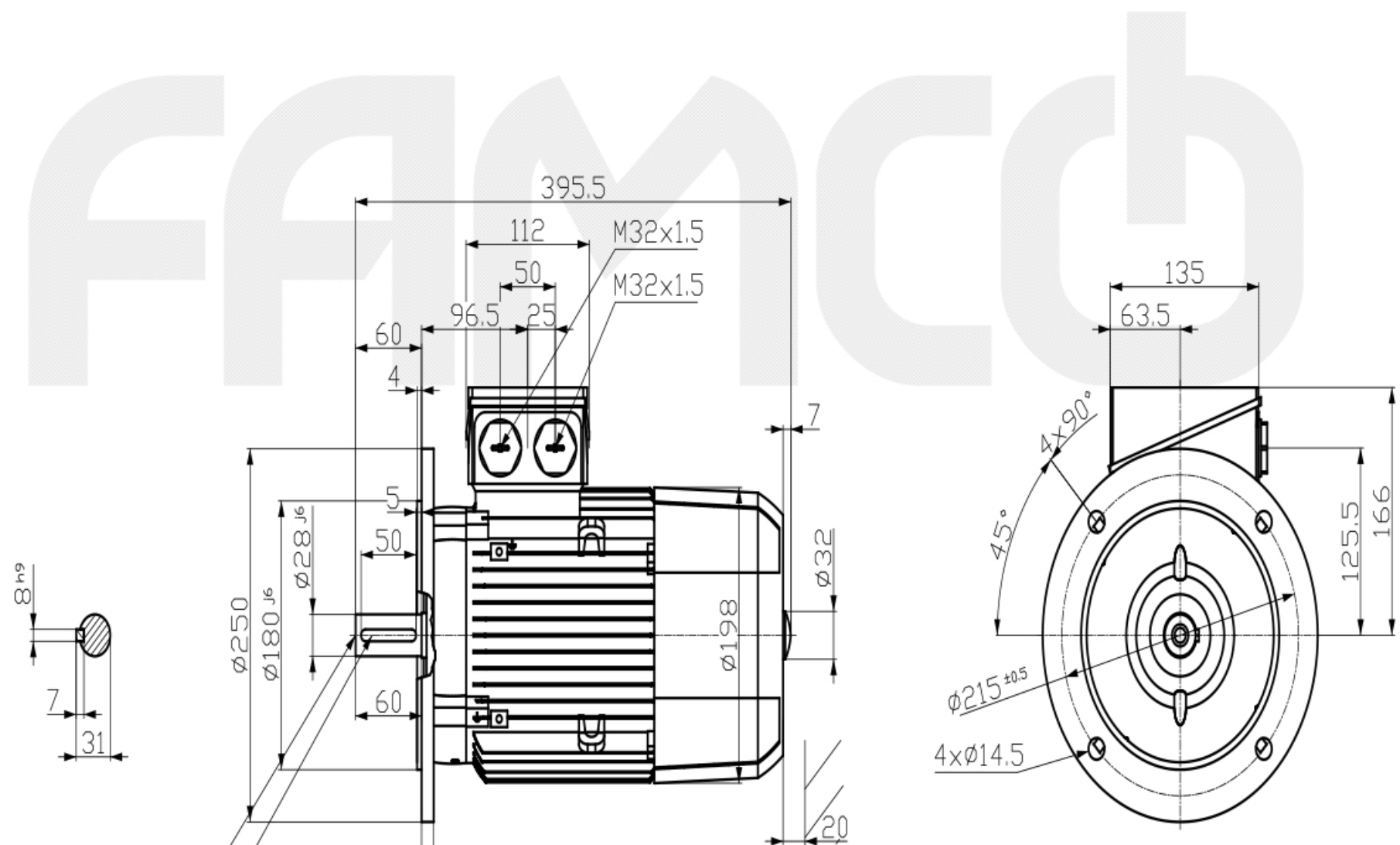
Transmittal, reproduction, dissemination and/or editing of this document as well as utilization of its contents and communication thereof to others without express authorization are prohibited. Offenders will be held liable for any damages caused by their actions. Patent, trademark, copyright or other rights of a utility model or design patent are reserved.

Weitergabe sowie Vervielfältigung, Verbreitung und/oder Bearbeitung dieses Dokuments, Verwendung und Mitteilung seines Inhaltes sind verboten, soweit nicht ausdrücklich gestattet. Zuwiderhandlungen verpflichten zu Schadenersatz. Alle Rechte vorbehalten.

Confidencial e secreto de empresa. Toda copia reservada. Comunicado como secreto empresarial. Reservados todos los derechos.

Dostępna a właściwe powołanie wewnętrznego. Konfidenca.

Confiado como secreto de empresa. Nos reservamos todos los derechos.



DIN 332-DR M10  
DIN 6885-1

**Tel: 48 0000 49** (60 Lines)

Tolerance	Surface	Material	Weight	Scale	
			-	mm	
1LE1002-1AB42-2FA4	Author	Dimensional drawing Maßzeichnung			
	Creator				DTK
	Approval				
	Department				
	Change Order	MFB	Doc. Type		
	Doc. State	1/19/19	Item No.	Page Size A3	
	Revision	Index IS	Doc. No.	1st Language en 2nd Language de	
© Siemens AG 2018	Project No.	-	Ref. No.	Sheet 1 of 1	