



**MLFB-Ordering data:** 1LE1002-1CB03-4AA4

**Motor type:** 1AV1130B

Client order no.:

Order no.:

Offer no.:

Remarks:

Item no.:

Consignment no.:

Project:

U [V]	Δ / Y	f [Hz]	P [kW]	P [hp]	I [A]	n [1/min]	M [Nm]	NOM. EFF at ... load [%]			Power factor at ... load			I <sub>A</sub> /I <sub>N</sub> I <sub>f</sub> /I <sub>N</sub>	M <sub>A</sub> /M <sub>N</sub> T <sub>f</sub> /T <sub>N</sub>	M <sub>K</sub> /M <sub>N</sub> T <sub>B</sub> /T <sub>N</sub>	IE-CL
								4/4	3/4	2/4	4/4	3/4	2/4				
400	Δ	50	5.50	- / -	11.40	1450	36.0	84.7	85.3	84.2	0.82	0.76	0.64	5.7	2.3	2.7	IE1
690	Y	50	5.50	- / -	6.60	1450	36.0	84.7	85.3	84.2	0.82	0.76	0.64	5.7	2.3	2.7	IE1
460	Δ	60	6.30	- / -	10.80	1745	34.0	87.0	87.4	86.2	0.84	0.79	0.68	6.7	2.2	2.8	IE1
IM B3 / IM 1001		FS 132 S		38 kg		IP55		IEC/EN 60034			IEC, DIN, ISO, VDE, EN						

### Mechanical data

Sound pressure level 50Hz/60Hz (load)	64 dB(A) <sup>1)</sup>	68 dB(A) <sup>1)</sup>
Moment of inertia	0.019 kg m <sup>2</sup>	
Bearing DE   NDE	6208 2Z C3	6208 2Z C3
Bearing lifetime	40000 h	
Lubricants	Esso Unirex N3	
Regreasing device	No	
Grease nipple	- / -	
Type of bearing	Preloaded bearing DE	
Condensate drainage holes	No	
External earthing terminal		
Vibration severity grade	A	
Insulation	155(F) to 130(B)	
Duty type	S1	
Direction of rotation	bidirectional	
Frame material	aluminum	
Data of anti condensation heating	-/-	
Coating (paint finish)	Standard paint finish C2	
Color, paint shade	RAL7030	
Motor protection	(A) without (Standard)	
Method of cooling	IC411 - self ventilated, surface cooled	

### Environmental conditions

Ambient temperature	-20 °C - +40 °C
Altitude above sea level	1000 m

### Notes

I<sub>A</sub><sup>1)</sup> = locked rotor current / current nominal    M<sub>K</sub>/M<sub>N</sub> = break down torque / nominal torque  
M<sub>A</sub>/M<sub>N</sub> = locked rotor torque / torque nominal    1) Value is valid only for DOL operation with motor design IC411

### Terminal box

Terminal box position	top
Material of terminal box	Aluminium
Type of terminal box	TB1 H00
Contact screw thread	M4
Max. cross-sectional area	6.0 mm <sup>2</sup>
Cable diameter from ... to ...	11.0 mm - 21.0 mm
Cable entry	2xM32x1,5
Cable gland	2 plugs

### Special design (0)

**Tel: 48 0000 49** (60 Lines)

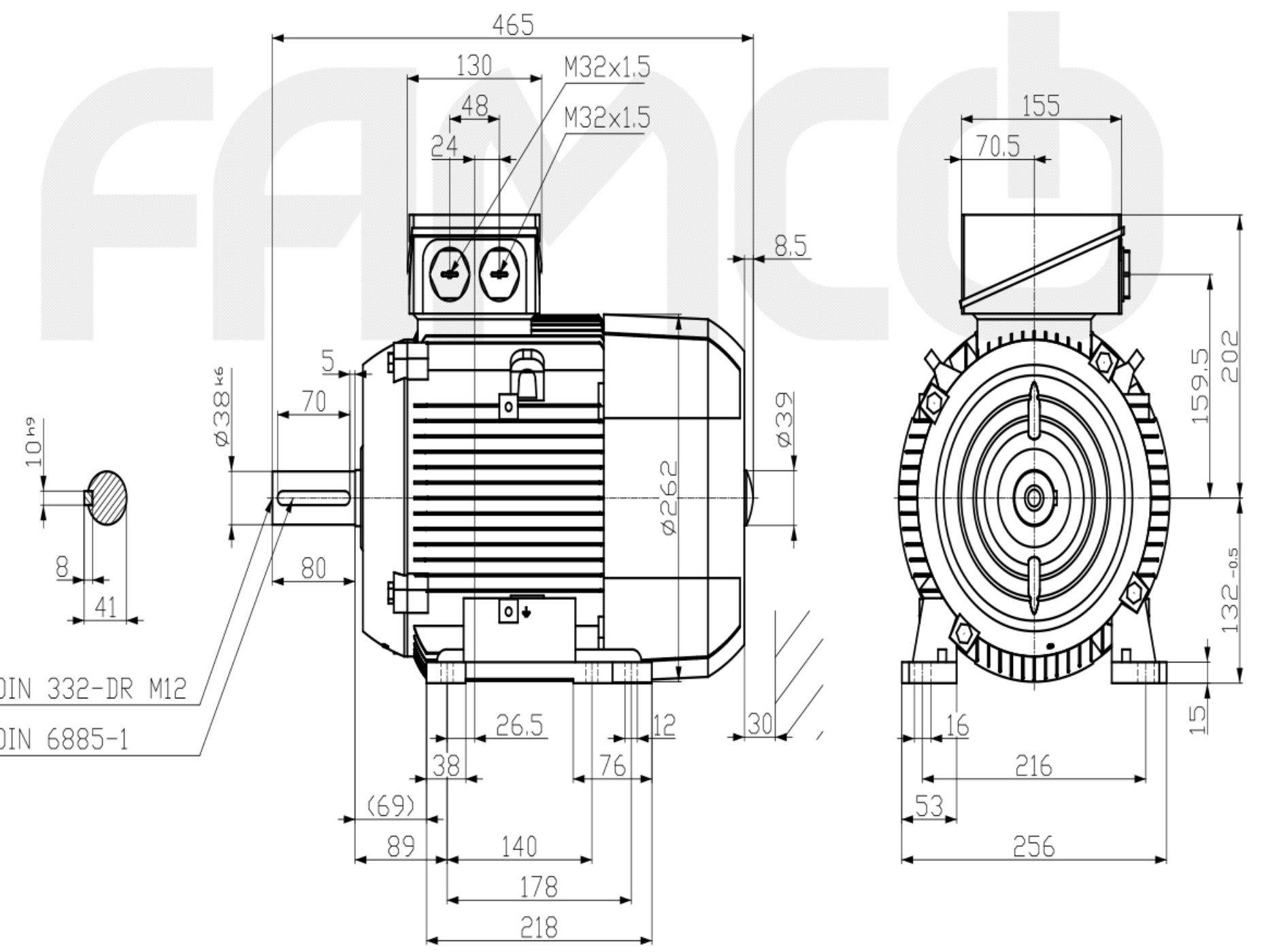
Confidencial, reproducción, disseminación o uso no autorizado de este documento es prohibido. Reservados todos los derechos. No se permite la explotación económica ni la transformación de esta obra. Queda permitida la impresión en su totalidad.

Transmittal, reproduction, dissemination and/or editing of this document as well as utilization of its contents and communication thereof to others without express authorization are prohibited. Offenders will be held liable for any damages. All rights reserved. No part of this document may be reproduced or transmitted in any form or by any means electronic or mechanical, including photocopying and recording, or by any information storage or retrieval system, without express written permission from Siemens AG.

Weitergabe sowie Vervielfältigung, Verbreitung und/oder Bearbeitung dieses Dokuments, Verwertung und Mitteilung seines Inhaltes sind verboten, soweit nicht ausdrücklich gestattet. Zuwiderhandlungen verpflichten zu Schadenersatz. Alle Rechte vorbehalten.

Confidencial como secreto de empresa. Nos reservamos todos los derechos.

Confidantiale als geheime informatie.



DIN 332-DR M12  
 DIN 6885-1

**Tel: 48 0000 49 (60 Lines)**

Tolerance	Surface	Material	Weight	Scale
1LE1002-1CB03-4AA4	Author	Dimensional drawing		
	Creator	DTK	Maßzeichnung	
	Approval			
	Department			
	Change Order	MFB	Doc. Type	
	Doc. State	1/21/19	Item No.	Page Size A3
	Revision	Index RS	Doc. No.	1st Language en 2nd Language de
© Siemens AG 2018	Project No.	-	Ref. No.	Sheet 1 of 1