



MLFB-Ordering data: 1LE1002-1CB23-4AA4

Motor type: 1AV1132B

Client order no.:

Order no.:

Offer no.:

Remarks:

Item no.:

Consignment no.:

Project:

| U [V] | Δ / Y | f [Hz] | P [kW] | P [hp] | I [A] | n [1/min] | M [Nm] | NOM. EFF at ... load [%] | | | Power factor at ... load | | | I _A /I _N I _f /I _N | M _A /M _N T _f /T _N | M _K /M _N T _B /T _N | IE-CL |
|-----------------|-------|-----------|-----------|-----------|----------|--------------|--------------|--------------------------|------|------------------------|--------------------------|------|------|--|--|--|-------|
| | | | | | | | | 4/4 | 3/4 | 2/4 | 4/4 | 3/4 | 2/4 | | | | |
| 400 | Δ | 50 | 7.50 | - / - | 15.40 | 1450 | 49.0 | 86.0 | 86.5 | 85.4 | 0.82 | 0.76 | 0.64 | 6.6 | 2.6 | 3.1 | IE1 |
| 690 | Y | 50 | 7.50 | - / - | 8.90 | 1450 | 49.0 | 86.0 | 86.5 | 85.4 | 0.82 | 0.76 | 0.64 | 6.6 | 2.6 | 3.1 | IE1 |
| 460 | Δ | 60 | 8.60 | - / - | 14.70 | 1750 | 47.0 | 87.5 | 87.8 | 86.7 | 0.84 | 0.79 | 0.68 | 7.0 | 2.4 | 3.0 | IE1 |
| IM B3 / IM 1001 | | | FS 132 M | | 44 kg | IP55 | IEC/EN 60034 | | | IEC, DIN, ISO, VDE, EN | | | | | | | |

Mechanical data

| | | |
|---------------------------------------|---|------------------------|
| Sound pressure level 50Hz/60Hz (load) | 64 dB(A) ¹⁾ | 68 dB(A) ¹⁾ |
| Moment of inertia | 0.024 kg m ² | |
| Bearing DE NDE | 6208 2Z C3 | 6208 2Z C3 |
| Bearing lifetime | 40000 h | |
| Lubricants | Esso Unirex N3 | |
| Regreasing device | No | |
| Grease nipple | - / - | |
| Type of bearing | Preloaded bearing DE | |
| Condensate drainage holes | No | |
| External earthing terminal | | |
| Vibration severity grade | A | |
| Insulation | 155(F) to 130(B) | |
| Duty type | S1 | |
| Direction of rotation | bidirectional | |
| Frame material | aluminum | |
| Data of anti condensation heating | -/- | |
| Coating (paint finish) | Standard paint finish C2 | |
| Color, paint shade | RAL7030 | |
| Motor protection | (A) without (Standard) | |
| Method of cooling | IC411 - self ventilated, surface cooled | |

Environmental conditions

| | |
|--------------------------|-----------------|
| Ambient temperature | -20 °C - +40 °C |
| Altitude above sea level | 1000 m |

Notes

I_A¹⁾ = locked rotor current / current nominal M_K/M_N = break down torque / nominal torque
M_A/M_N = locked rotor torque / torque nominal 1) Value is valid only for DOL operation with motor design IC411

Terminal box

| | |
|--------------------------------|---------------------|
| Terminal box position | top |
| Material of terminal box | Aluminium |
| Type of terminal box | TB1 H00 |
| Contact screw thread | M4 |
| Max. cross-sectional area | 6.0 mm ² |
| Cable diameter from ... to ... | 11.0 mm - 21.0 mm |
| Cable entry | 2xM32x1,5 |
| Cable gland | 2 plugs |

Special design (0)

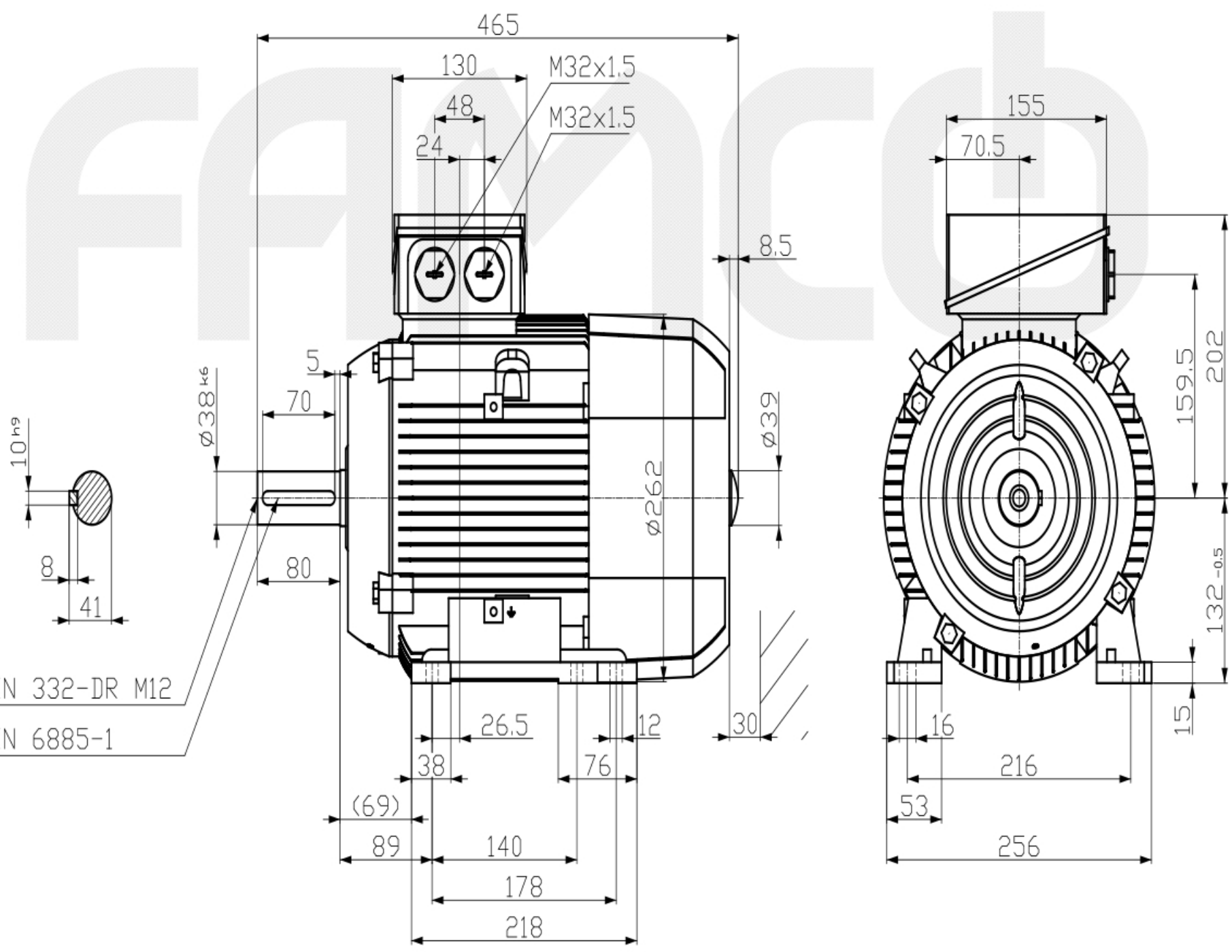
Tel: 48 0000 49 (60 Lines)

Transmittal, reproduction, dissemination and/or editing of this document as well as utilization of its contents and communication thereof to others without express authorization are prohibited. Offenders will be held liable for any damages. Siemens AG, Munich, Germany. Patent rights reserved.

Weitergabe sowie Vervielfältigung, Verbreitung und/oder Bearbeitung dieses Dokuments, Verwertung und Mitteilung seines Inhaltes sind verboten, soweit nicht ausdrücklich gestattet. Zuwiderhandlungen verpflichten zu Schadenersatz. Alle Rechte vorbehalten. Siemens AG, München, Deutschland.

Confidat a titre de secret d'entreprise. Tous droits réservés. Comunicado como secreto empresarial. Reservados todos los derechos.

Confidado como secreto de empresa. Nos reservamos todos los derechos.



DIN 332-DR M12
 DIN 6885-1

| Tolerance | Surface | Material | Weight | Scale |
|--------------------|--------------|---------------------|-----------|-----------------|
| | | | | mm |
| 1LE1002-1CB23-4AA4 | Author | Dimensional drawing | | |
| | Creator | Maßzeichnung | | |
| | Approval | | | |
| | Department | | | |
| | Change Order | MFB | Doc. Type | |
| | Doc. State | 1/21/19 | Item No | Page Size A3 |
| | Revision | Index IS | Doc. No | 1st Language en |
| | | | | 2nd Language de |
| © Siemens AG 2018 | Project No | - | Ref No | Sheet 1 of 1 |

Tel: 48 0000 49 (60 Lines)

SIEMENS