



MLFB-Ordering data: 1LE1002-1DA33-4AA4

Motor type: 1AV1163A

Client order no.:

Order no.:

Offer no.:

Remarks:

Item no.:

Consignment no.:

Project:

U [V]	Δ / Y	f [Hz]	P [kW]	P [hp]	I [A]	n [1/min]	M [Nm]	NOM. EFF at ... load [%]			Power factor at ... load			I _A /I _N I _f /I _N	M _A /M _N T _f /T _N	M _K /M _N T _B /T _N	IE-CL
								4/4	3/4	2/4	4/4	3/4	2/4				
400	Δ	50	15.00	- / -	28.50	2935	49.0	88.7	88.9	87.2	0.85	0.79	0.70	6.8	2.4	3.2	IE1
690	Y	50	15.00	- / -	16.60	2935	49.0	88.7	88.9	87.2	0.85	0.79	0.70	6.8	2.4	3.2	IE1
460	Δ	60	17.30	- / -	28.00	3530	47.0	89.5	89.1	87.4	0.86	0.82	0.74	6.9	2.4	3.2	IE1
IM B3 / IM 1001			FS 160 M		68 kg	IP55	IEC/EN 60034		IEC, DIN, ISO, VDE, EN								

Mechanical data

Sound pressure level 50Hz/60Hz (load)	70 dB(A) ¹⁾	77 dB(A) ¹⁾
Moment of inertia	0.036 kg m ²	
Bearing DE NDE	6209 2Z C3	6209 2Z C3
Bearing lifetime	40000 h	
Lubricants	Esso Unirex N3	
Regreasing device	No	
Grease nipple	- / -	
Type of bearing	Locating bearing NDE	
Condensate drainage holes	No	
External earthing terminal		
Vibration severity grade	A	
Insulation	155(F) to 130(B)	
Duty type	S1	
Direction of rotation	bidirectional	
Frame material	aluminum	
Data of anti condensation heating	-/-	
Coating (paint finish)	Standard paint finish C2	
Color, paint shade	RAL7030	
Motor protection	(A) without (Standard)	
Method of cooling	IC411 - self ventilated, surface cooled	

Environmental conditions

Ambient temperature	-20 °C - +40 °C
Altitude above sea level	1000 m

Notes

I_A¹⁾ = locked rotor current / current nominal M_K/M_N = break down torque / nominal torque
M_A/M_N = locked rotor torque / torque nominal 1) Value is valid only for DOL operation with motor design IC411

Terminal box

Terminal box position	top
Material of terminal box	Aluminium
Type of terminal box	TB1 J00
Contact screw thread	M5
Max. cross-sectional area	16.0 mm ²
Cable diameter from ... to ...	19.0 mm - 28.0 mm
Cable entry	2xM40x1,5
Cable gland	2 plugs

Special design (0)

Tel: 48 0000 49 (60 Lines)

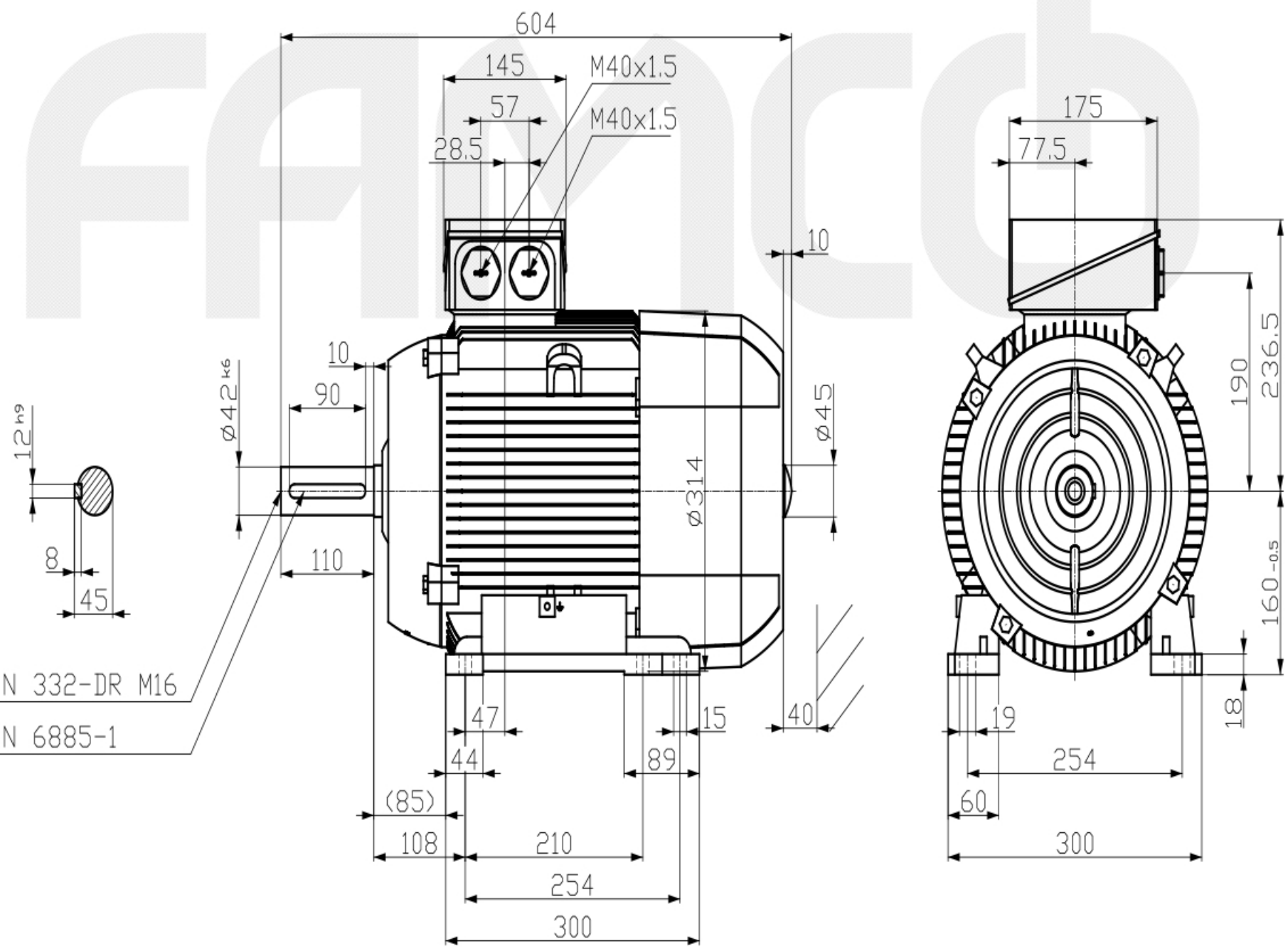
Original reproduction, dissemination and/or editing of this document as well as utilization of its contents and communication thereof to others without express authorization are prohibited. Offenders will be held liable for any damages incurred. Patent rights, trademarks, trade names or other rights of a utility model or design patent are reserved.

Mehrsprachige sowie Übersetzung, Verbreitung und/oder Bearbeitung dieses Dokuments, Verwertung und Mitteilung seines Inhaltes sind verboten, soweit nicht ausdrücklich gestattet. Zuwiderhandlungen verpflichten zu Schadenersatz. Alle Rechte vorbehalten.

Confidencial a titre de secret d'entreprise. Tous droits réservés. Communicado como secreto empresarial. Reservados todos os direitos.

Donesporen a najveće poslovne tajne. Sadržaj ovog dokumenta može biti predmet zaštićenih prava intelektualnog vlasništva.

Confidido como secreto de empresa. Nos reservamos todos los derechos.



DIN 332-DR M16
 DIN 6885-1

Tel: 48 0000 49 (60 Lines)

Tolerance	Surface	Material	Weight	Scale
			-	mm
1LE1002-1DA33-4AA4	Author	Dimensional drawing		
	Creator	Maßzeichnung		
	Approval			
	Department			
	Change Order	MFB	Doc. Type	
	Doc. State	1/21/19	Item No	Page Size A3
	Revision	Index RS	Doc. No	1st Language en
				2nd Language de
© Siemens AG 2018	Project No	-	Ref. No	Sheet 1 of 1