



**MLFB-Ordering data:** 1LE1002-1DB43-4FA4

**Motor type:** 1AV1164B

Client order no.:

Order no.:

Offer no.:

Remarks:

Item no.:

Consignment no.:

Project:

U [V]	Δ / Y	f [Hz]	P [kW]	P [hp]	I [A]	n [1/min]	M [Nm]	NOM. EFF at ... load [%]			Power factor at ... load			I <sub>A</sub> /I <sub>N</sub> I <sub>f</sub> /I <sub>N</sub>	M <sub>A</sub> /M <sub>N</sub> T <sub>f</sub> /T <sub>N</sub>	M <sub>K</sub> /M <sub>N</sub> T <sub>B</sub> /T <sub>N</sub>	IE-CL
								4/4	3/4	2/4	4/4	3/4	2/4				
400	Δ	50	15.00	- / -	30.00	1460	98.0	88.7	89.0	87.8	0.82	0.76	0.63	7.5	3.0	3.6	IE1
690	Y	50	15.00	- / -	17.30	1460	98.0	88.7	89.0	87.8	0.82	0.76	0.63	7.5	3.0	3.6	IE1
460	Δ	60	17.30	- / -	28.50	1755	94.0	90.5	90.9	89.8	0.84	0.79	0.68	8.0	2.9	3.6	IE1
IM B5 / IM 3001			FS 160 L		73 kg	IP55	IEC/EN 60034			IEC, DIN, ISO, VDE, EN							

### Mechanical data

Sound pressure level 50Hz/60Hz (load)	65 dB(A) <sup>1)</sup>   69 dB(A) <sup>1)</sup>
Moment of inertia	0.056 kg m <sup>2</sup>
Bearing DE   NDE	6209 2Z C3   6209 2Z C3
Bearing lifetime	40000 h
Lubricants	Esso Unirex N3
Regreasing device	No
Grease nipple	- / -
Type of bearing	Locating bearing NDE
Condensate drainage holes	No
External earthing terminal	
Vibration severity grade	A
Insulation	155(F) to 130(B)
Duty type	S1
Direction of rotation	bidirectional
Frame material	aluminum
Data of anti condensation heating	-/-
Coating (paint finish)	Standard paint finish C2
Color, paint shade	RAL7030
Motor protection	(A) without (Standard)
Method of cooling	IC411 - self ventilated, surface cooled

### Environmental conditions

Ambient temperature	-20 °C - +40 °C
Altitude above sea level	1000 m

### Notes

I<sub>A</sub><sup>1)</sup>/I<sub>N</sub> = locked rotor current / current nominal    M<sub>K</sub>/M<sub>N</sub> = break down torque / nominal torque  
M<sub>A</sub>/M<sub>N</sub> = locked rotor torque / torque nominal    1) Value is valid only for DOL operation with motor design IC411

### Terminal box

Terminal box position	top
Material of terminal box	Aluminium
Type of terminal box	TB1 J00
Contact screw thread	M5
Max. cross-sectional area	16.0 mm <sup>2</sup>
Cable diameter from ... to ...	19.0 mm - 28.0 mm
Cable entry	2xM40x1,5
Cable gland	2 plugs

### Special design (0)

**Tel: 48 0000 49** (60 Lines)

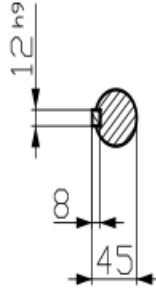
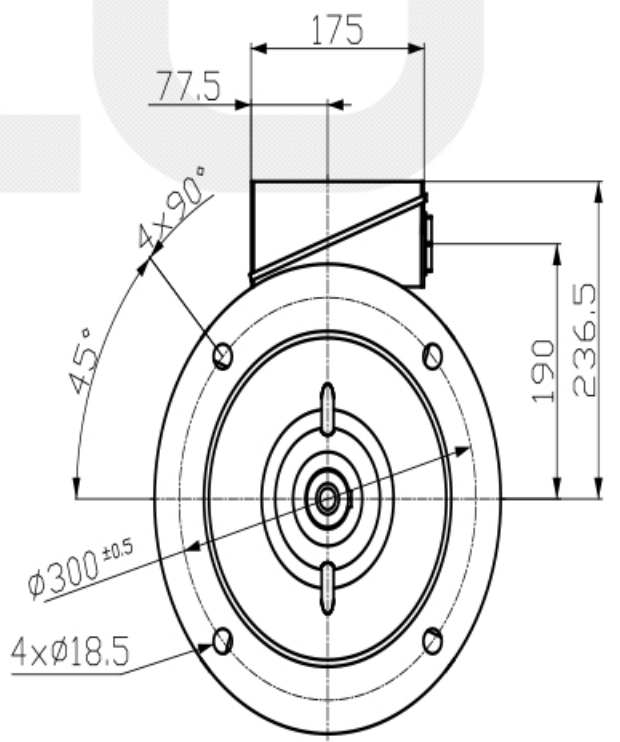
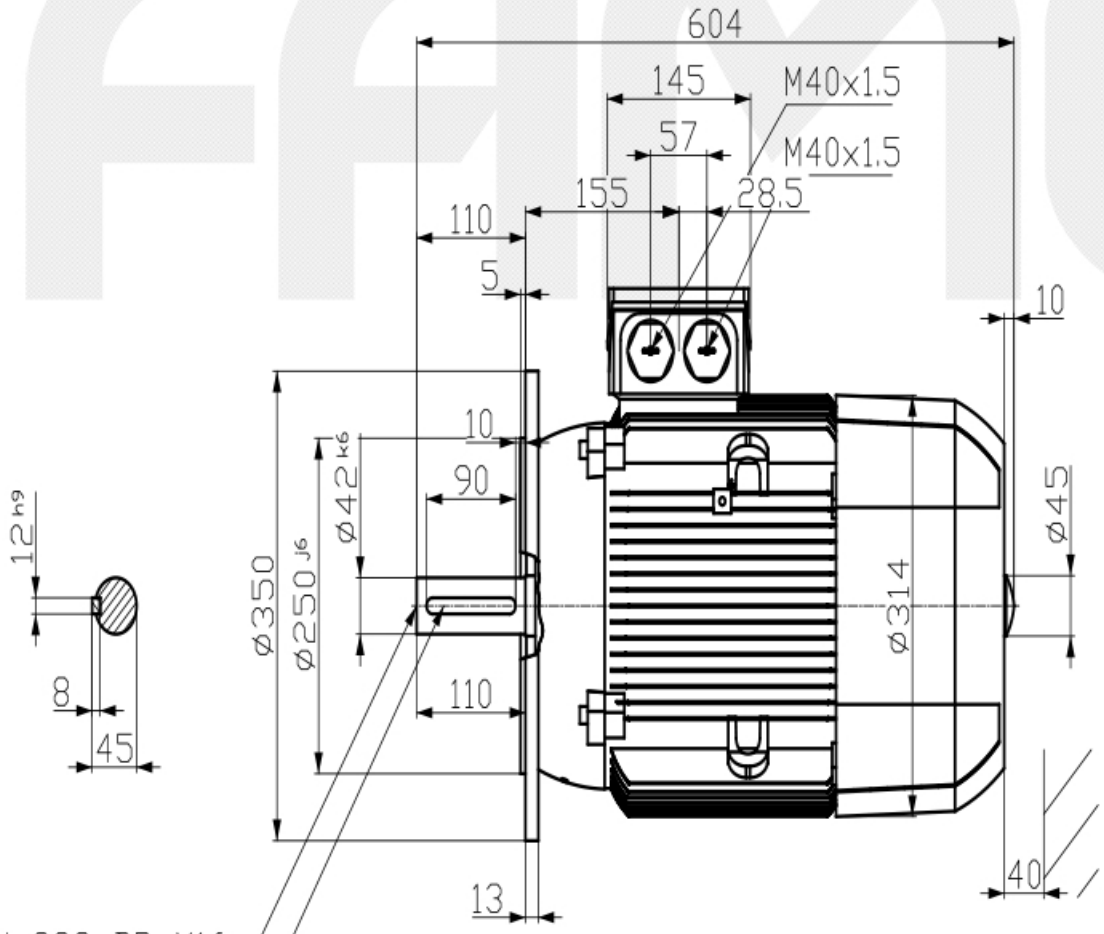
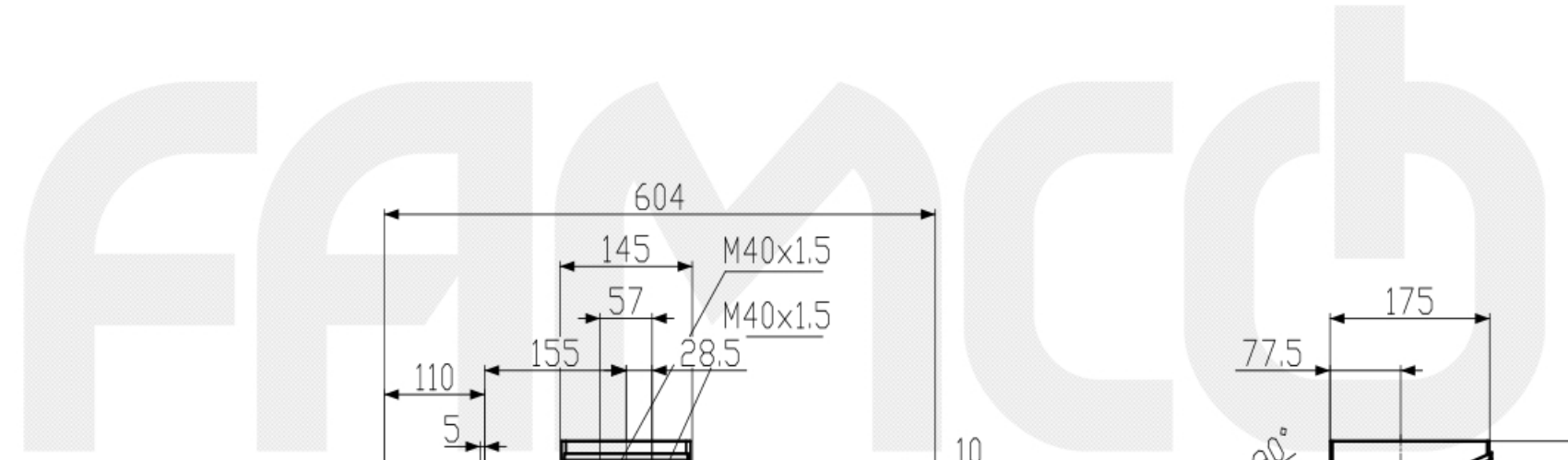
Confidencial, reproducción, disseminación and/or editing of this document as well as utilization of its contents and communication thereof to others without express authorization are prohibited. Offenders will be held liable for the consequences of such actions. All rights reserved. No part of this document may be reproduced, stored in a retrieval system, or transmitted in any form or by any means, electronic, mechanical, photocopying, recording, or by any information storage and retrieval system, without the prior written permission of Siemens AG.

Transmissie, reproductie, verspreiding en/of wijziging van dit document alsmede het gebruik van de inhoud daarvan en het verspreiden daarvan aan anderen zonder uitdrukkelijke toestemming van Siemens AG zijn niet toegestaan.

Weitergabe sowie Vervielfältigung, Verbreitung und/oder Bearbeitung dieses Dokumentes, Verwendung und Mitteilung seines Inhaltes sind verboten, soweit nicht ausdrücklich gestattet. Zuwiderhandlungen verpflichten zu Schadenersatz. Alle Rechte vorbehalten.

Confidencial a titre de secret d'entreprise. Tous droits réservés. Communicado como secreto empresarial. Reservados todos os direitos.

Confidado como secreto de empresa. Nos reservamos todos los derechos.



DIN 332-DR M16  
DIN 6885-1

**Tel: 48 0000 49** (60 Lines)

Tolerance	Surface	Material	Weight	Scale
			-	mm
1LE1002-1DB43-4FA4	Author	Dimensional drawing		
	Creator	Maßzeichnung		
	Approval	DTK		
	Department			
	Change Order	MFB	Doc. Type	
	Doc. State	1/21/19	Item No	Page Size A3
	Revision	Inden RS	Doc. No	1st Language en
				2nd Language de
© Siemens AG 2018	Project No	-	Ref. No	Sheet 1 of 1