



MLFB-Ordering data: 1LE1502-2AB53-4FA4

Motor type: 1CV1205B

Client order no.:

Order no.:

Offer no.:

Remarks:

Item no.:

Consignment no.:

Project:

U [V]	Δ / Y	f [Hz]	P [kW]	P [hp]	I [A]	n [1/min]	M [Nm]	NOM. EFF at ... load [%]			Power factor at ... load			I _A /I _N I _f /I _N	M _A /M _N T _f /T _N	M _K /M _N T _B /T _N	IE-CL
								4/4	3/4	2/4	4/4	3/4	2/4				
400	Δ	50	30.00	- / -	58.00	1472	195.0	90.7	91.5	91.4	0.83	0.78	0.68	6.9	2.3	3.1	IE1
690	Y	50	30.00	- / -	33.50	1472	195.0	90.7	91.5	91.4	0.83	0.78	0.68	6.9	2.3	3.1	IE1
460	Δ	60	34.50	- / -	56.00	1772	186.0	92.4	93.1	93.0	0.84	0.80	0.70	7.3	2.3	3.0	IE1
IM B5 / IM 3001			FS 200 L		220 kg	IP55	IEC/EN 60034		IEC, DIN, ISO, VDE, EN								

Mechanical data

Sound pressure level 50Hz/60Hz (load)	64 dB(A) ¹⁾	68 dB(A) ¹⁾
Moment of inertia	0.20 kg m ²	
Bearing DE NDE	6212 Z C3	6212 Z C3
Bearing lifetime	40000 h	
Lubricants	Esso Unirex N3	
Regreasing device	No	
Grease nipple	- / -	
Type of bearing	Locating bearing NDE	
Condensate drainage holes	Yes (standard)	
External earthing terminal	Yes (standard)	
Vibration severity grade	A	
Insulation	155(F) to 130(B)	
Duty type	S1	
Direction of rotation	bidirectional	
Frame material	cast iron	
Data of anti condensation heating	-/-	
Coating (paint finish)	Standard paint finish C2	
Color, paint shade	RAL7030	
Motor protection	(A) without (Standard)	
Method of cooling	IC411 - self ventilated, surface cooled	

Environmental conditions

Ambient temperature	-20 °C - +40 °C
Altitude above sea level	1000 m

Notes

I_A¹⁾ = locked rotor current / current nominal M_K/M_N = break down torque / nominal torque
M_A/M_N = locked rotor torque / torque nominal 1) Value is valid only for DOL operation with motor design IC411

Terminal box

Terminal box position	top
Material of terminal box	cast iron
Type of terminal box	TB1 L01
Contact screw thread	M6
Max. cross-sectional area	25.0 mm ²
Cable diameter from ... to ...	27.0 mm - 35.0 mm
Cable entry	2xM50x1,5
Cable gland	2 plugs

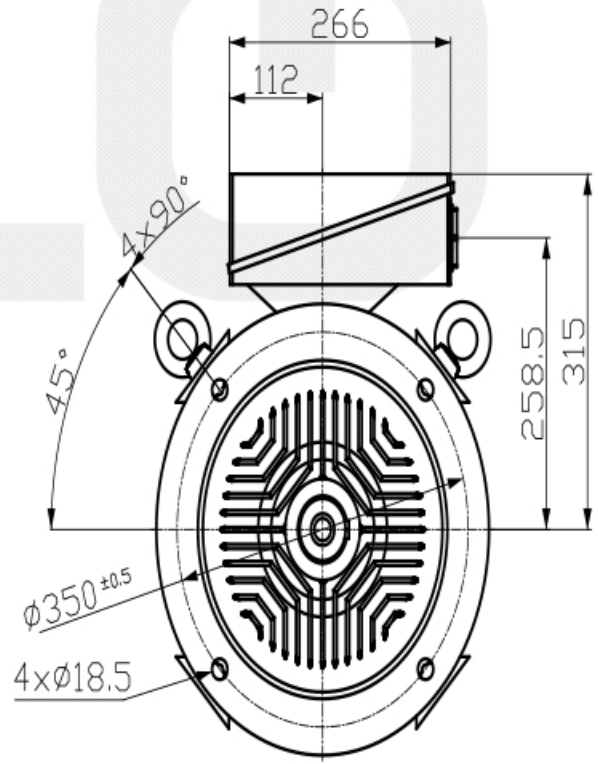
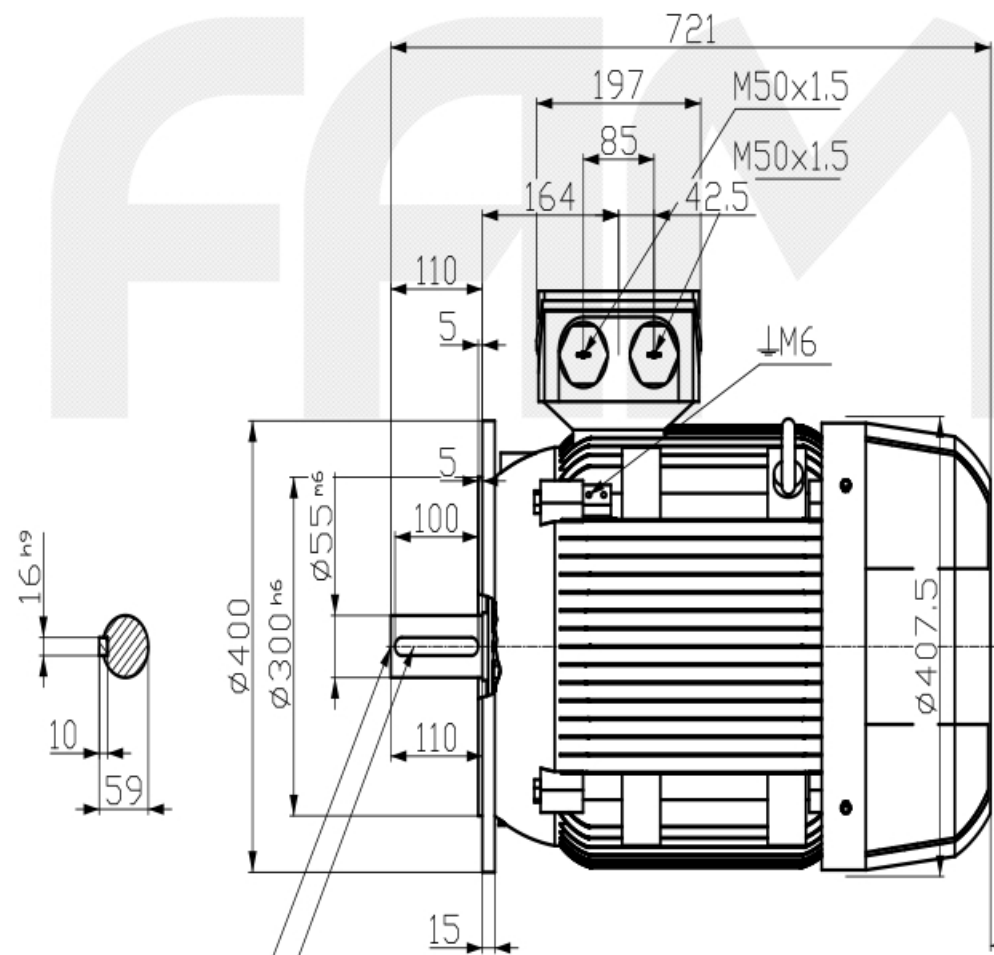
Special design (0)

Tel: 48 0000 49 (60 Lines)

Confidantia a titre de secret d'entreprise. Tous droits réservés. Communicado como secreto empresarial. Reservados todos los derechos. Doneservata a riservate proprietate si se creeaza. Confiado como secreto de empresa. Nos reservamos todos los derechos.

Weitergabe sowie Vervielfältigung, Verbreitung, auch auszugsweise, ist ohne schriftliche Genehmigung Siemens AG. All rights reserved. No part of this publication may be reproduced, stored in a retrieval system, or transmitted, in any form or by any means, without the prior written permission of Siemens AG.

Transmittal, reproduction, dissemination and/or editing of this document as well as utilization of its contents and communication thereof to others without express authorization are prohibited. Offenders will be held liable for any damages. All rights reserved. Siemens AG.



DIN 332-DS M20
 DIN 6885-1

Tel: 48 0000 49 (60 Lines)

Tolerance	Surface	Material	Weight	Scale
			-	mm
1LE1502-2AB53-4FA4	Author	Dimensional drawing		
	Creator	Maßzeichnung		
	Approval			
	Department			
	Change Order	MFB	Doc. Type	
	Doc. State	1/21/19	Item No	Page Size A3
	Revision	Inden IS	Doc. No	1st Language en
				2nd Language de
© Siemens AG 2018	Project No	-	Ref No	Sheet 1 of 1