



**MLFB-Ordering data:** 1LE1502-2CB23-4AA4

**Motor type:** 1CV1252B

Client order no.:

Order no.:

Offer no.:

Remarks:

Item no.:

Consignment no.:

Project:

U [V]	Δ / Y	f [Hz]	P [kW]	P [hp]	I [A]	n [1/min]	M [Nm]	NOM. EFF at ... load [%]			Power factor at ... load			I <sub>A</sub> /I <sub>N</sub> I <sub>f</sub> /I <sub>N</sub>	M <sub>A</sub> /M <sub>N</sub> T <sub>f</sub> /T <sub>N</sub>	M <sub>K</sub> /M <sub>N</sub> T <sub>B</sub> /T <sub>N</sub>	IE-CL
								4/4	3/4	2/4	4/4	3/4	2/4				
400	Δ	50	55.00	- / -	101.00	1475	356.0	92.1	92.5	92.1	0.85	0.82	0.74	6.1	2.4	2.6	IE1
690	Y	50	55.00	- / -	59.00	1475	356.0	92.1	92.5	92.1	0.85	0.82	0.74	6.1	2.4	2.6	IE1
460	Δ	60	63.00	- / -	100.00	1775	339.0	93.0	93.3	92.7	0.85	0.83	0.76	6.1	2.5	2.6	IE1
IM B3 / IM 1001			FS 250 M		360 kg		IP55		IEC/EN 60034			IEC, DIN, ISO, VDE, EN					

### Mechanical data

Sound pressure level 50Hz/60Hz (load)	70 dB(A) <sup>1)</sup>	72 dB(A) <sup>1)</sup>
Moment of inertia	0.69 kg m <sup>2</sup>	
Bearing DE   NDE	6215 Z C3	6215 Z C3
Bearing lifetime	40000 h	
Lubricants	Esso Unirex N3	
Regreasing device	No	
Grease nipple	- / -	
Type of bearing	Locating bearing NDE	
Condensate drainage holes	Yes (standard)	
External earthing terminal	Yes (standard)	
Vibration severity grade	A	
Insulation	155(F) to 130(B)	
Duty type	S1	
Direction of rotation	bidirectional	
Frame material	cast iron	
Data of anti condensation heating	-/-	
Coating (paint finish)	Standard paint finish C2	
Color, paint shade	RAL7030	
Motor protection	(A) without (Standard)	
Method of cooling	IC411 - self ventilated, surface cooled	

### Environmental conditions

Ambient temperature	-20 °C - +40 °C
Altitude above sea level	1000 m

### Notes

I<sub>A</sub><sup>1)</sup> = locked rotor current / current nominal    M<sub>K</sub>/M<sub>N</sub> = break down torque / nominal torque  
M<sub>A</sub>/M<sub>N</sub> = locked rotor torque / torque nominal    1) Value is valid only for DOL operation with motor design IC411

### Terminal box

Terminal box position	top
Material of terminal box	cast iron
Type of terminal box	TB1 N01
Contact screw thread	M10
Max. cross-sectional area	120.0 mm <sup>2</sup>
Cable diameter from ... to ...	34.0 mm - 42.0 mm
Cable entry	2xM63x1,5
Cable gland	2 plugs

### Special design (0)

**Tel: 48 0000 49 (60 Lines)**

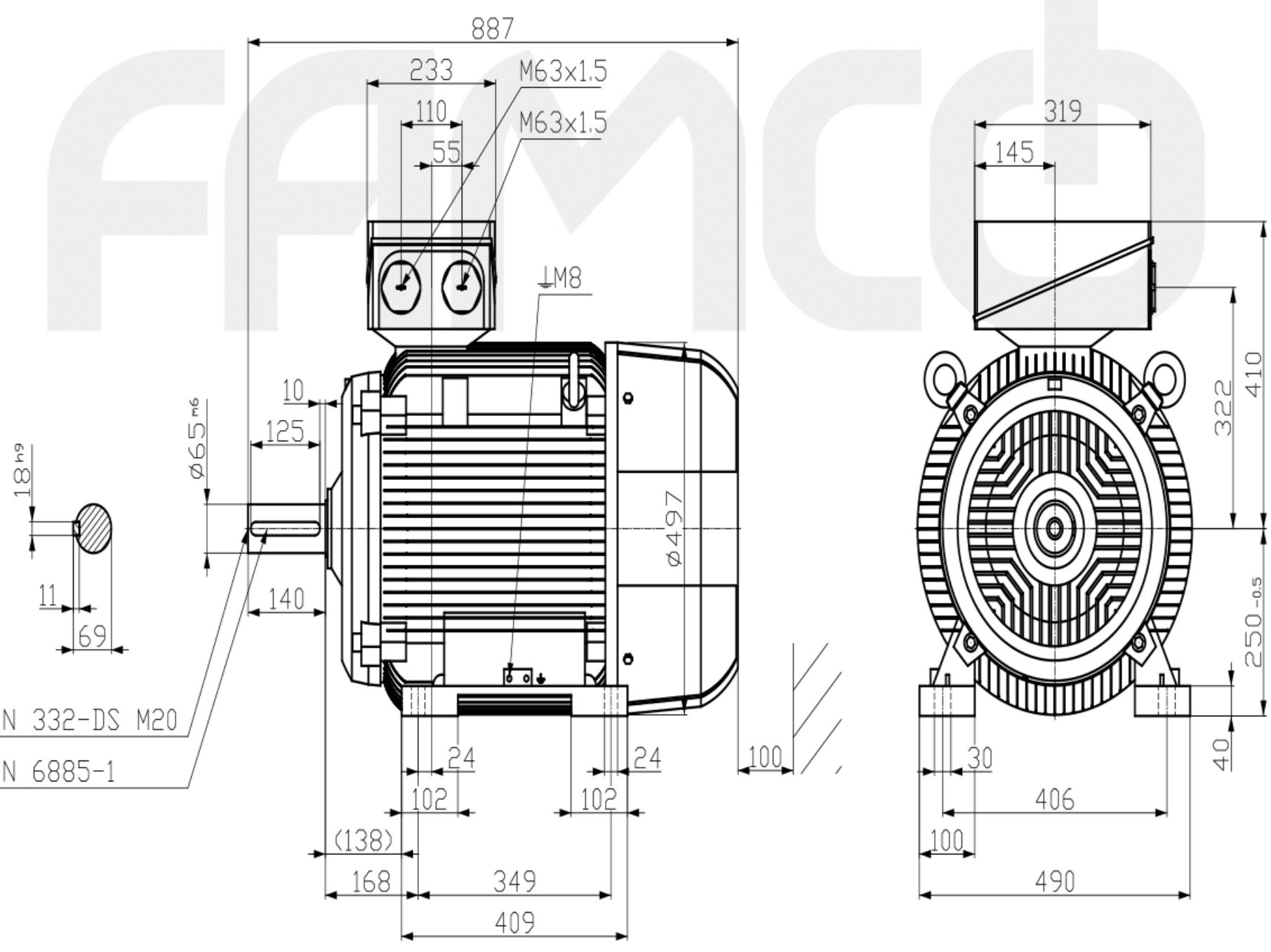
This document is a technical drawing. It is not to be used for manufacturing or for other purposes without express authorization. Siemens AG is not liable for any damage or injury resulting from the use of this document.

Diese Zeichnung ist eine technische Zeichnung. Sie ist nicht für die Fertigung oder für andere Zwecke ohne ausdrückliche Genehmigung der Siemens AG zu verwenden. Siemens AG ist nicht haftbar für Schäden oder Verletzungen, die aus der Verwendung dieses Dokuments resultieren.

Confidencial e secreto de empresa. Todos los derechos reservados. Reservados todos los derechos. Como secreto de empresa. Nos reservamos todos los derechos.

Confidantiale en geheim document. Alle rechten voorbehouden. Alle rechten voorbehouden.

Confidencial e secreto de empresa. Todos los derechos reservados. Reservados todos los derechos. Como secreto de empresa. Nos reservamos todos los derechos.



**Tel: 48 0000 49** (60 Lines)

Tolerance	Surface	Material	Weight	Scale
1LE1502-2CB23-4AA4	Author	Dimensional drawing		
	Creator	DTK	Maßzeichnung	
	Approval			
	Department			
	Change Order	MFB	Doc. Type	
	Doc. State	1/22/19	Item No	Page Size A3
	Revision	Index RS	Doc. No	1st Language en
				2nd Language de
© Siemens AG 2018	Project No	-	Ref No	Sheet 1 of 1