



**MLFB-Ordering data:** 1LE1502-2DA23-4AA4

**Motor type:** 1CV1282A

Client order no.:

Order no.:

Offer no.:

Remarks:

Item no.:

Consignment no.:

Project:

U [V]	Δ / Y	f [Hz]	P [kW]	P [hp]	I [A]	n [1/min]	M [Nm]	NOM. EFF at ... load [%]			Power factor at ... load			I <sub>A</sub> /I <sub>N</sub> I <sub>f</sub> /I <sub>N</sub>	M <sub>A</sub> /M <sub>N</sub> T <sub>f</sub> /T <sub>N</sub>	M <sub>K</sub> /M <sub>N</sub> T <sub>B</sub> /T <sub>N</sub>	IE-CL
								4/4	3/4	2/4	4/4	3/4	2/4				
400	Δ	50	90.00	- / -	159.00	2975	289.0	93.0	93.1	92.4	0.88	0.86	0.79	7.1	2.5	3.1	IE1
690	Y	50	90.00	- / -	92.00	2975	289.0	93.0	93.1	92.4	0.88	0.86	0.79	7.1	2.5	3.1	IE1
460	Δ	60	101.00	- / -	153.00	3575	270.0	93.0	92.9	91.9	0.89	0.87	0.81	7.2	2.5	3.1	IE1
IM B3 / IM 1001			FS 280 M			530 kg	IP55	IEC/EN 60034			IEC, DIN, ISO, VDE, EN						

### Mechanical data

Sound pressure level 50Hz/60Hz (load)	76 dB(A) <sup>1)</sup>	81 dB(A) <sup>1)</sup>
Moment of inertia	0.83 kg m <sup>2</sup>	
Bearing DE   NDE	6315 C3	6315 C3
Relubrication interval/quantity	25 g   25 g 4000 h	
Lubricants	Esso Unirex N3	
Regreasing device	Yes (standard)	
Grease nipple	M10x1 DIN 3404 A	
Type of bearing	Locating bearing NDE	
Condensate drainage holes	Yes (standard)	
External earthing terminal	Yes (standard)	
Vibration severity grade	A	
Insulation	155(F) to 130(B)	
Duty type	S1	
Direction of rotation	bidirectional	
Frame material	cast iron	
Data of anti condensation heating	-/-	
Coating (paint finish)	Standard paint finish C2	
Color, paint shade	RAL7030	
Motor protection	(A) without (Standard)	
Method of cooling	IC411 - self ventilated, surface cooled	

### Environmental conditions

Ambient temperature	-20 °C - +40 °C
Altitude above sea level	1000 m

### Notes

I<sub>A</sub><sup>1)</sup> = locked rotor current / current nominal    M<sub>K</sub>/M<sub>N</sub> = break down torque / nominal torque  
M<sub>A</sub>/M<sub>N</sub> = locked rotor torque / torque nominal    1) Value is valid only for DOL operation with motor design IC411

### Terminal box

Terminal box position	top
Material of terminal box	cast iron
Type of terminal box	TB1 N01
Contact screw thread	M10
Max. cross-sectional area	120.0 mm <sup>2</sup>
Cable diameter from ... to ...	34.0 mm - 42.0 mm
Cable entry	2xM63x1,5
Cable gland	2 plugs

### Special design (0)

**Tel: 48 0000 49 (60 Lines)**

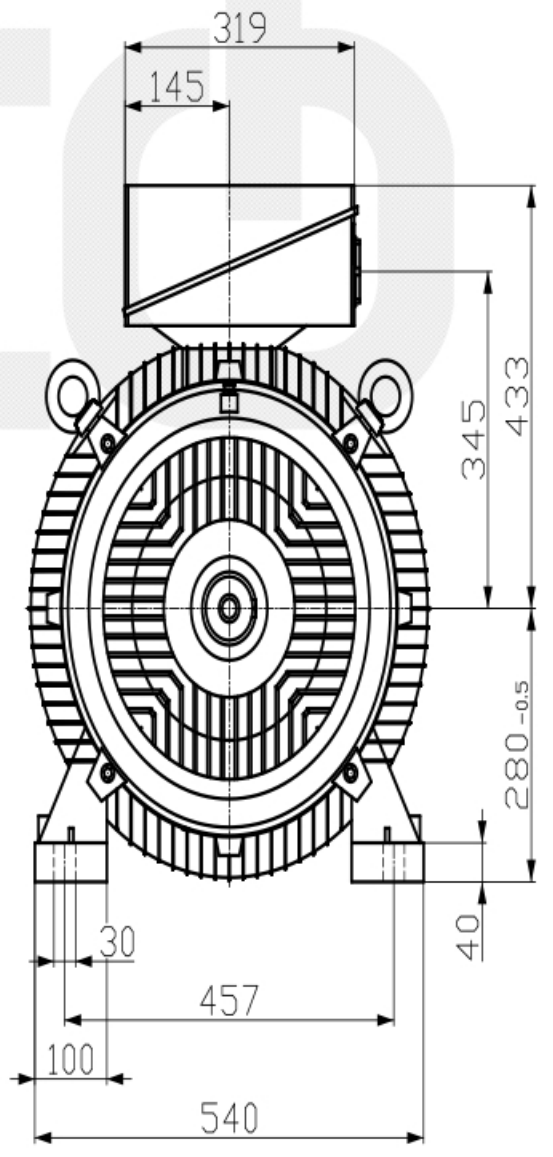
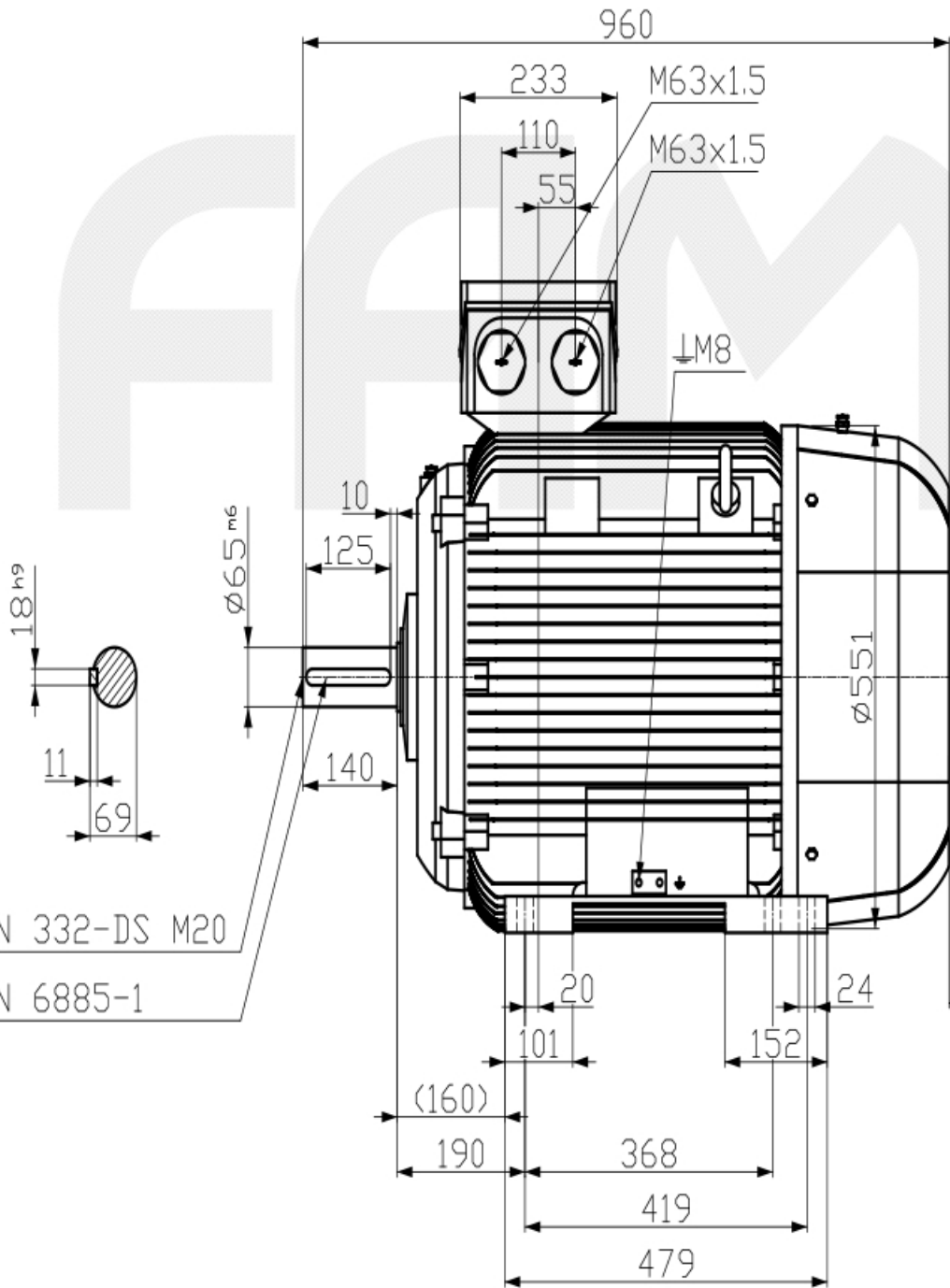
Transmittal, reproduction, dissemination and/or editing of this document as well as utilization of its contents and communication thereof to others without express authorization are prohibited. Offenders will be held liable for any damages incurred. Patent rights are reserved. All rights reserved.

Transmittal, reproduction, dissemination and/or editing of this document as well as utilization of its contents and communication thereof to others without express authorization are prohibited. Offenders will be held liable for any damages incurred. Patent rights are reserved. All rights reserved.

Weitergabe sowie Vervielfältigung, Verbreitung und/oder Bearbeitung dieses Dokuments, Verwertung und Mitteilung seines Inhaltes sind verboten, soweit nicht ausdrücklich gestattet. Zuwiderhandlungen verpflichten zu Schadenersatz. Alle Rechte vorbehalten.

Confidà à titre de secret d'entreprise. Tous droits réservés. Comunicado como secreto empresarial. Reservados todos los derechos.

Confidado como secreto de empresa. Nos reservamos todos los derechos.



DIN 332-DS M20  
 DIN 6885-1

**Tel: 48 0000 49 (60 Lines)**

Tolerance	Surface	Material	Weight	Scale
				mm
1LE1502-2DA23-4AA4	Author	Dimensional drawing Maßzeichnung		
	Creator DTK			
	Approval			
	Department			
	Change Order	MFB	Doc. Type	
	Doc. State 1/22/19	Item No	Paper Size A3	
	Revision Index RS	Doc. No	1st Language en 2nd Language de	
© Siemens AG 2018	Project No -	Ref No -	Sheet 1 of 1	