



**MLFB-Ordering data:** 1LE1502-3AA03-4AA4

**Motor type:** 1CV1310A

Client order no.:

Order no.:

Offer no.:

Remarks:

Item no.:

Consignment no.:

Project:

U [V]	Δ / Y	f [Hz]	P [kW]	P [hp]	I [A]	n [1/min]	M [Nm]	NOM. EFF at ... load [%]			Power factor at ... load			I <sub>A</sub> /I <sub>N</sub> I <sub>f</sub> /I <sub>N</sub>	M <sub>A</sub> /M <sub>N</sub> T <sub>f</sub> /T <sub>N</sub>	M <sub>K</sub> /M <sub>N</sub> T <sub>B</sub> /T <sub>N</sub>	IE-CL
								4/4	3/4	2/4	4/4	3/4	2/4				
400	Δ	50	110.00	- / -	198.00	2982	352.0	93.3	92.9	91.5	0.86	0.83	0.76	7.5	2.3	3.3	IE1
690	Y	50	110.00	- / -	115.00	2982	352.0	93.3	92.9	91.5	0.86	0.83	0.76	7.5	2.3	3.3	IE1
460	Δ	60	123.00	- / -	189.00	3582	328.0	93.0	92.3	90.4	0.88	0.87	0.80	8.3	2.5	3.3	IE1
IM B3 / IM 1001		FS 315 S		680 kg		IP55		IEC/EN 60034		IEC, DIN, ISO, VDE, EN							

### Mechanical data

Sound pressure level 50Hz/60Hz (load)	80 dB(A) <sup>1)</sup>   84 dB(A) <sup>1)</sup>
Moment of inertia	1.20 kg m <sup>2</sup>
Bearing DE   NDE	6316 C3   6316 C3
Relubrication interval/quantity	30 g   30 g 3000 h
Lubricants	Esso Unirex N3
Regreasing device	Yes (standard)
Grease nipple	M10x1 DIN 3404 A
Type of bearing	Locating bearing NDE
Condensate drainage holes	Yes (standard)
External earthing terminal	Yes (standard)
Vibration severity grade	A
Insulation	155(F) to 130(B)
Duty type	S1
Direction of rotation	bidirectional
Frame material	cast iron
Data of anti condensation heating	-/-
Coating (paint finish)	Standard paint finish C2
Color, paint shade	RAL7030
Motor protection	(A) without (Standard)
Method of cooling	IC411 - self ventilated, surface cooled

### Environmental conditions

Ambient temperature	-20 °C - +40 °C
Altitude above sea level	1000 m

### Notes

I<sub>A</sub><sup>1)</sup> = locked rotor current / current nominal    M<sub>K</sub>/M<sub>N</sub> = break down torque / nominal torque  
M<sub>A</sub>/M<sub>N</sub> = locked rotor torque / torque nominal    1) Value is valid only for DOL operation with motor design IC411

### Terminal box

Terminal box position	top
Material of terminal box	cast iron
Type of terminal box	TB1 Q01
Contact screw thread	M12
Max. cross-sectional area	240.0 mm <sup>2</sup>
Cable diameter from ... to ...	38.0 mm - 45.0 mm
Cable entry	2xM63x1,5
Cable gland	2 plugs

### Special design (0)

**Tel: 48 0000 49** (60 Lines)

Confidential, reproduction, dissemination and/or editing of this document as well as utilization of its contents and communication thereof to others without express authorization are prohibited. Offenders will be held liable for damages and legal costs. Patent rights are reserved.

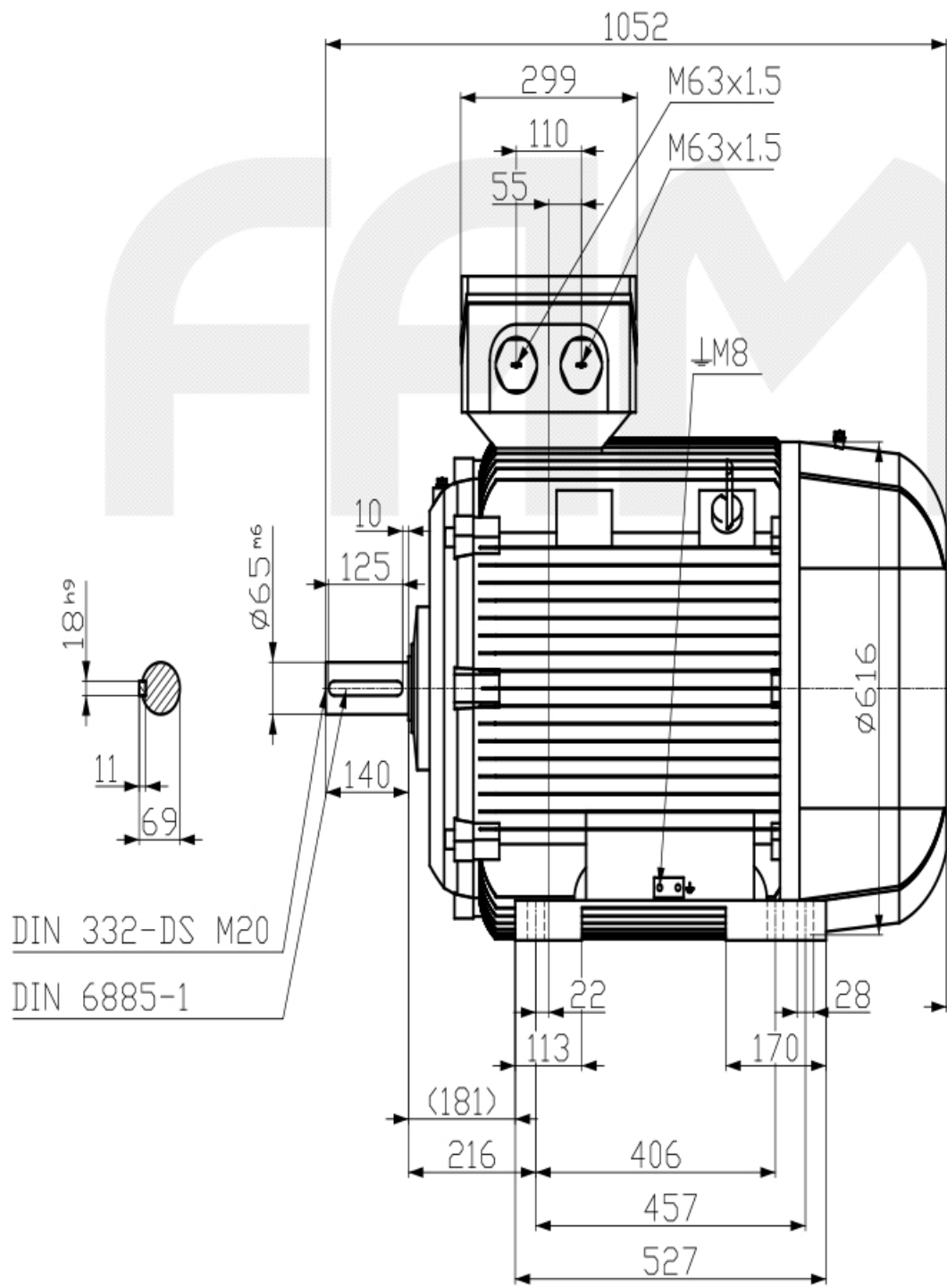
Transmissie, reproductie, verspreiding en/of wijziging van dit document evenals het gebruik van de inhoud daarvan en het verspreiden daarvan aan anderen zonder uitdrukkelijke toestemming zijn strafbaar. De afzender aanvaardt geen aansprakelijkheid voor schade van welke aard ook voortvloeiende uit het gebruik van de afzender afgeleverde informatie. Het auteursrecht is voorbehouden.

Weitergabe sowie Vervielfältigung, Verbreitung und/oder Bearbeitung dieses Dokuments, Verwendung und Mitteilung seines Inhaltes sind verboten, soweit nicht ausdrücklich gestattet. Zuwiderhandlungen verpflichten zu Schadenersatz. Alle Rechte vorbehalten.

Confidencial a titre de secret d'entreprise. Toute réimpression, communication ou modification de ce document, sans autorisation écrite préalable, est formellement interdite. Toute utilisation non autorisée de son contenu est formellement interdite.

Confidante como secreto de empresa. Nos reservamos todos los derechos.

**Tel: 48 0000 49** (60 Lines)



DIN 332-DS M20  
DIN 6885-1

Tolerance	Surface	Material	Weight	Scale
				mm
1LE1502-3AA03-4AA4	Author	Dimensional drawing		
	Creator	Maßzeichnung		
	Approval			
	Department			
	Change Order	MFB	Doc. Type	
	Doc. State	1/22/19	Item No.	Page Size A3
	Revision	Index	Doc. No.	1st Language en
				2nd Language de
© Siemens AG 2018	Project No.	-	Ref. No.	Sheet 1 of 1