



MLFB-Ordering data: 1LE1502-3AA43-4AA4

Motor type: 1CV1314A

Client order no.:

Order no.:

Offer no.:

Remarks:

Item no.:

Consignment no.:

Project:

U [V]	Δ / Y	f [Hz]	P [kW]	P [hp]	I [A]	n [1/min]	M [Nm]	NOM. EFF at ... load [%]			Power factor at ... load			I _A /I _N I _f /I _N	M _A /M _N T _f /T _N	M _K /M _N T _B /T _N	IE-CL
								4/4	3/4	2/4	4/4	3/4	2/4				
400	Δ	50	160.00	- / -	270.00	2982	512.0	93.8	93.6	93.1	0.91	0.90	0.85	7.4	2.3	2.9	IE1
690	Y	50	160.00	- / -	157.00	2982	512.0	93.8	93.6	93.1	0.91	0.90	0.85	7.4	2.3	2.9	IE1
460	Δ	60	180.00	- / -	265.00	3582	480.0	94.1	93.6	92.6	0.90	0.89	0.86	7.7	2.4	3.0	IE1
IM B3 / IM 1001		FS 315 L		880 kg		IP55		IEC/EN 60034		IEC, DIN, ISO, VDE, EN							

Mechanical data

Sound pressure level 50Hz/60Hz (load)	80 dB(A) ¹⁾ 84 dB(A) ¹⁾
Moment of inertia	1.60 kg m ²
Bearing DE NDE	6316 C3 6316 C3
Relubrication interval/quantity	30 g 30 g 3000 h
Lubricants	Esso Unirex N3
Regreasing device	Yes (standard)
Grease nipple	M10x1 DIN 3404 A
Type of bearing	Locating bearing NDE
Condensate drainage holes	Yes (standard)
External earthing terminal	Yes (standard)
Vibration severity grade	A
Insulation	155(F) to 130(B)
Duty type	S1
Direction of rotation	bidirectional
Frame material	cast iron
Data of anti condensation heating	-/-
Coating (paint finish)	Standard paint finish C2
Color, paint shade	RAL7030
Motor protection	(A) without (Standard)
Method of cooling	IC411 - self ventilated, surface cooled

Environmental conditions

Ambient temperature	-20 °C - +40 °C
Altitude above sea level	1000 m

Notes

I_A¹⁾ = locked rotor current / current nominal M_K/M_N = break down torque / nominal torque
M_A/M_N = locked rotor torque / torque nominal 1) Value is valid only for DOL operation with motor design IC411

Terminal box

Terminal box position	top
Material of terminal box	cast iron
Type of terminal box	TB1 Q01
Contact screw thread	M12
Max. cross-sectional area	240.0 mm ²
Cable diameter from ... to ...	38.0 mm - 45.0 mm
Cable entry	2xM63x1,5
Cable gland	2 plugs

Special design (0)

Tel: 48 0000 49 (60 Lines)

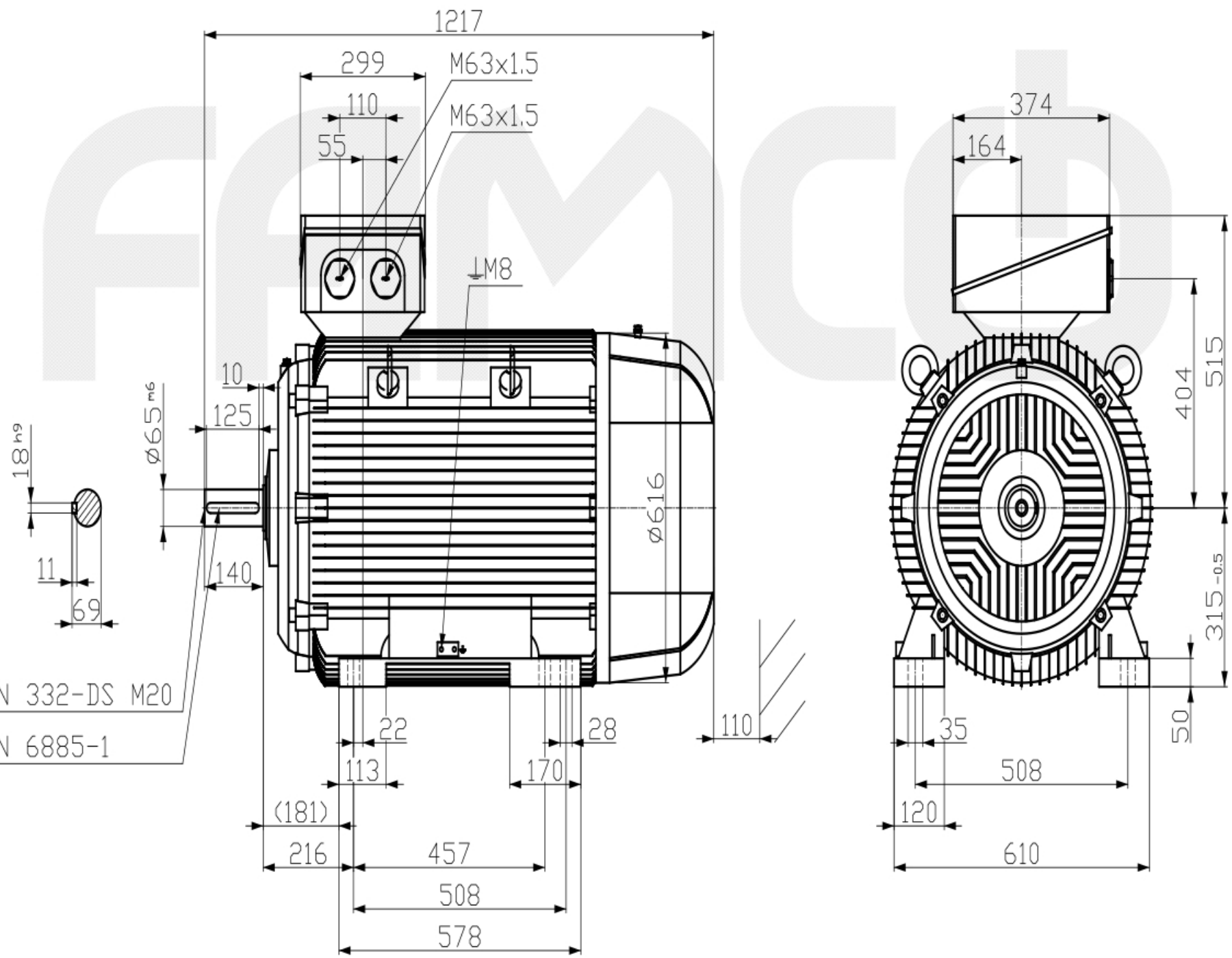
Confidencial, reproducción, disseminación o uso no autorizado de este documento es prohibido. Reservados todos los derechos. No se permite la explotación económica ni la transformación de esta obra. Queda permitida la impresión en su totalidad.

Transmittal, reproduction, dissemination and/or editing of this document as well as utilization of its contents and communication thereof to others without express authorization are prohibited. Offenders will be held liable for any damages. All rights are reserved. No part of this document may be reproduced or transmitted in any form or by any means electronic or mechanical, including photocopying and recording, or by any information storage or retrieval system, without express prior written permission from Siemens AG.

Weitergabe sowie Vervielfältigung, Verbreitung, auch auszugsweise, ist ohne schriftliche Genehmigung der Siemens AG. Die Weitergabe oder die Verwendung der Inhalte ist ohne schriftliche Genehmigung der Siemens AG ist nicht zulässig.

Confidencial, reproducción, disseminación o uso no autorizado de este documento es prohibido. Reservados todos los derechos. No se permite la explotación económica ni la transformación de esta obra. Queda permitida la impresión en su totalidad.

Confidencial, reprodução, disseminação ou uso não autorizado deste documento é proibido. Reservados todos os direitos. Não se permite a exploração econômica nem a transformação desta obra. É permitida a impressão em sua totalidade.



DIN 332-DS M20
 DIN 6885-1

Tel: 48 0000 49 (60 Lines)

Tolerance	Surface	Material	Weight	Scale
				mm
1LE1502-3AA43-4AA4	Author	Dimensional drawing		
	Creator	Maßzeichnung		
	Approval	DTK		
	Department			
	Change Order	MFB	Doc. Type	
	Doc. State	1/22/19	Item No	Page Size A3
	Revision	Index	Doc. No	1st Language en
				2nd Language de
© Siemens AG 2018	Project No	-	Ref No	Sheet 1 of 1