



MLFB-Ordering data: 1LE1502-3AB43-4AA4

Motor type: 1CV1314B

Client order no.:

Order no.:

Offer no.:

Remarks:

Item no.:

Consignment no.:

Project:

U [V]	Δ / Y	f [Hz]	P [kW]	P [hp]	I [A]	n [1/min]	M [Nm]	NOM. EFF at ... load [%]			Power factor at ... load			I_A/I_N I_f/I_N	M_A/M_N T_f/T_N	M_K/M_N T_B/T_N	IE-CL
								4/4	3/4	2/4	4/4	3/4	2/4				
400	Δ	50	160.00	- / -	285.00	1486	1028.0	93.8	93.9	93.5	0.86	0.84	0.76	7.2	2.7	2.7	IE1
690	Y	50	160.00	- / -	166.00	1486	1028.0	93.8	93.9	93.5	0.86	0.84	0.76	7.2	2.7	2.7	IE1
460	Δ	60	184.00	- / -	285.00	1786	984.0	94.5	94.5	94.1	0.86	0.85	0.78	7.3	2.7	2.6	IE1
IM B3 / IM 1001			FS 315 L		940 kg	IP55	IEC/EN 60034		IEC, DIN, ISO, VDE, EN								

Mechanical data

Sound pressure level 50Hz/60Hz (load)	76 dB(A) ¹⁾	75 dB(A) ¹⁾
Moment of inertia	2.90 kg m ²	
Bearing DE NDE	6319 C3	6319 C3
Relubrication interval/quantity	40 g 40 g 6000 h	
Lubricants	Esso Unirex N3	
Regreasing device	Yes (standard)	
Grease nipple	M10x1 DIN 3404 A	
Type of bearing	Locating bearing NDE	
Condensate drainage holes	Yes (standard)	
External earthing terminal	Yes (standard)	
Vibration severity grade	A	
Insulation	155(F) to 130(B)	
Duty type	S1	
Direction of rotation	bidirectional	
Frame material	cast iron	
Data of anti condensation heating	-/-	
Coating (paint finish)	Standard paint finish C2	
Color, paint shade	RAL7030	
Motor protection	(A) without (Standard)	
Method of cooling	IC411 - self ventilated, surface cooled	

Environmental conditions

Ambient temperature	-20 °C - +40 °C
Altitude above sea level	1000 m

Notes

I_A/I_N = locked rotor current / current nominal M_A/M_N = break down torque / nominal torque
 M_K/M_N = locked rotor torque / torque nominal 1) Value is valid only for DOL operation with motor design IC411

Terminal box

Terminal box position	top
Material of terminal box	cast iron
Type of terminal box	TB1 Q01
Contact screw thread	M12
Max. cross-sectional area	240.0 mm ²
Cable diameter from ... to ...	38.0 mm - 45.0 mm
Cable entry	2xM63x1,5
Cable gland	2 plugs

Special design (0)

Tel: 48 0000 49 (60 Lines)

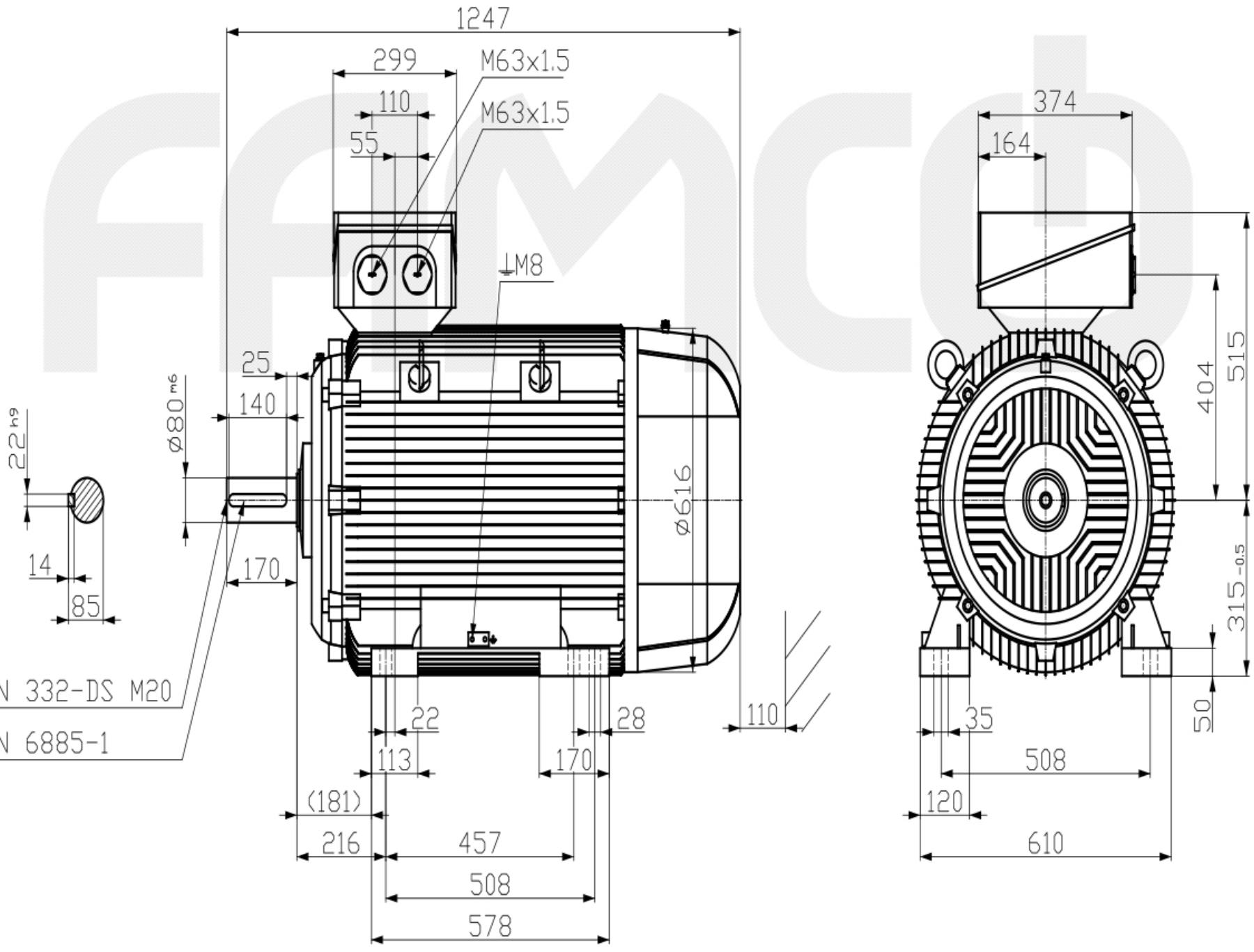
Confidencial, reproducción, disseminación o uso no autorizado de este documento es prohibido. Reservados todos los derechos. No se permite la explotación económica ni la transformación de esta obra. Queda permitida la impresión en su totalidad.

Transmittal, reproduction, dissemination and/or editing of this document as well as utilization of its contents and communication thereof to others without express authorization are prohibited. Offenders will be held liable for any damages. All rights are reserved. No part of this document may be reproduced or transmitted in any form or by any means electronic or mechanical, including photocopying and recording, or by any information storage or retrieval system, without express prior written permission from Siemens AG.

Weitergabe sowie Vervielfältigung, Verbreitung, auch auszugsweise, ist ohne schriftliche Genehmigung der Siemens AG. Die Weitergabe, Vervielfältigung sowie Verbreitung, auch auszugsweise, ist ohne schriftliche Genehmigung der Siemens AG.

Confidencial como secreto de empresa. Nos reservamos todos los derechos.

Confidantiale als geheime informatie.



Tel: 48 0000 49 (60 Lines)

Tolerance	Surface	Material	Weight	Scale
				mm
1LE1502-3AB43-4AA4	Author	Dimensional drawing		
	Creator	Maßzeichnung		
	Approval			
	Department			
	Change Order	MFB	Doc. Type	
	Doc. State	1/22/19	Item No.	Page Size A3
	Revision	Index	Doc. No.	1st Language en
				2nd Language de
© Siemens AG 2018	Project No.	-	Ref. No.	Sheet 1 of 1