

# JPC COST-EFFICIENT WATER TRANSFER BUILT ON PROVEN QUALITY



www.famcocorp.com  
E-mail: info@famcocorp.com  
@famco\_group

Tel: ۰۲۱-۴۸۰۰۰۰۴۹  
Fax: ۰۲۱-۴۴۹۹۴۶۴۲

تهران، کیلومتر ۲۱ بزرگراه لشکری (جاده مخصوص کرج)  
روبروی پالایشگاه نفت پارس، پلاک ۱۲

The Grundfos JPC is a self-priming, single-stage jet-pump, covering a wide variety of domestic water transfer and supply jobs. The pump is especially ideal wherever self-priming operation is necessary as it features a built-in ejector with guide vanes for

optimum self-priming properties. The body and internal components of the JPC are made of technopolymer to make the pump resistant to corrosion. Installation of the JPC is simple plug-and-pump.

# BENEFITS AND TECHNICAL FEATURES

## Self-priming water transfer pump

Featuring a suction-lift up to 8m, the JPC pump is ideal for transferring water from wells or ground tanks in a large variety of installations.

## Robust design

The lightweight materials ensure excellent corrosion resistance to offer a very robust pump.

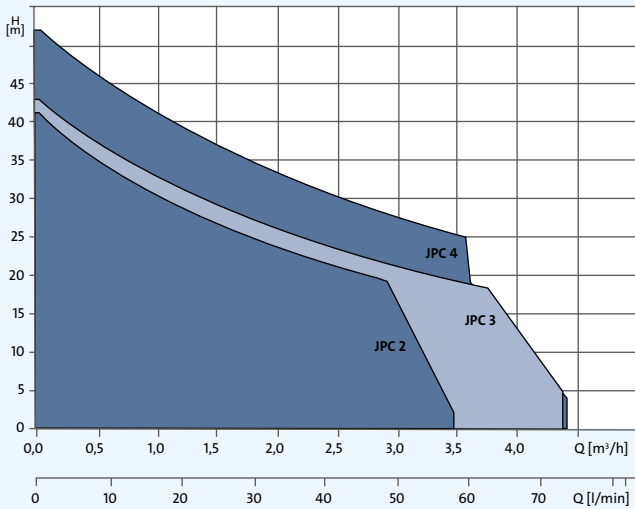
## Thermal overload protection

JPC is effectively protected against any accidental overload by means of built-in thermal and current protection. This means that no additional motor protection is required.

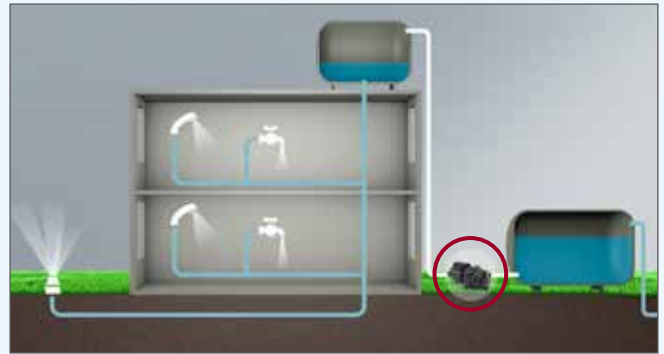
## Stable operation

The pump ensures stable operation with excellent suction capacity even when there are air bubbles and small sandy impurities in the water.

### PERFORMANCE RANGE



### APPLICATION – WATER TRANSFER



### ACCESSORIES FOR BOOSTER SOLUTIONS

- Pressure Switch (PS)
- Pressure Manager 1 (PM1)
- Pressure Manager 2 (PM2)
- Pressure tank (PT)

### TECHNICAL DATA

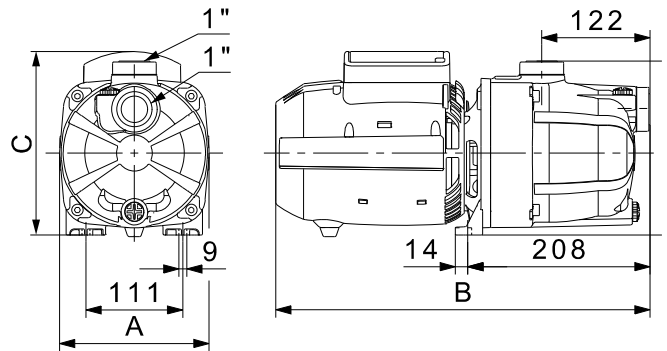
<b>Mains voltage</b>	1 x 115 V, 60 Hz 1 x 220-240 V, 50/60 Hz
<b>Enclosure class</b>	IP44
<b>Insulation class</b>	F
<b>Start/stop frequency</b>	Max. 20 per hour

Pump type	P1	
	HP	KW
JPC 2	1.0	0.72
JPC 3	1.15	0.85
JPC 4	1.5	1.1

### OPERATING CONDITIONS

<b>System pressure</b>	Max. 6 bar
<b>Suction lift</b>	Max: 8m, including suction pipe pressure loss at a liquid temperature of +20 °C
<b>Liquid temperature</b>	0 °C to +35 °C
<b>Ambient temperature</b>	Max. 40 °C
<b>Relative air humidity</b>	Max. 95 %

### DIMENSIONS



Pump type	Dimensions [mm]			Weight [kg]
	A	B	C	
JPC 2	171	410	200	8.0
JPC 3	171	410	200	8.3
JPC 4	171	430	210	10.3