



DIPLOMATIC
HYDRAULICS

63 200/107 ED



MSD

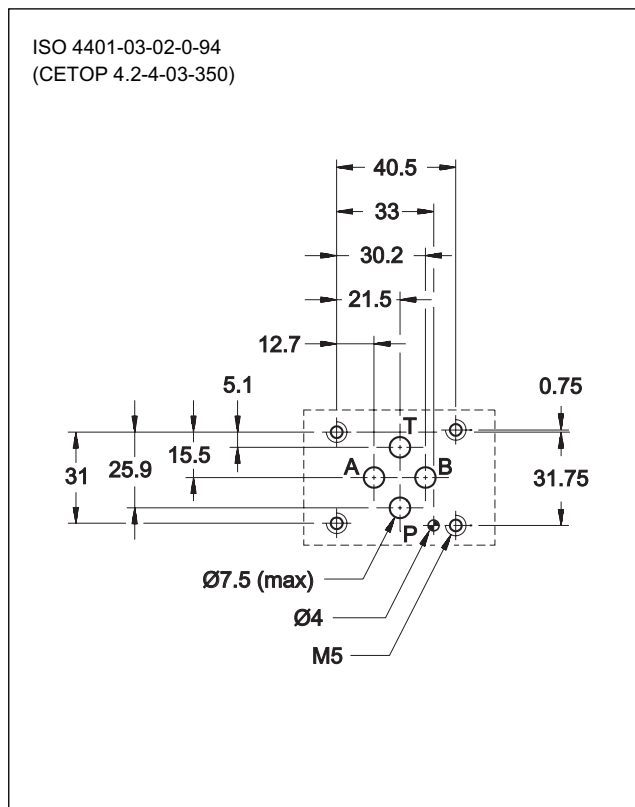
DIRECT OPERATED SEQUENCE VALVE

SERIES 50

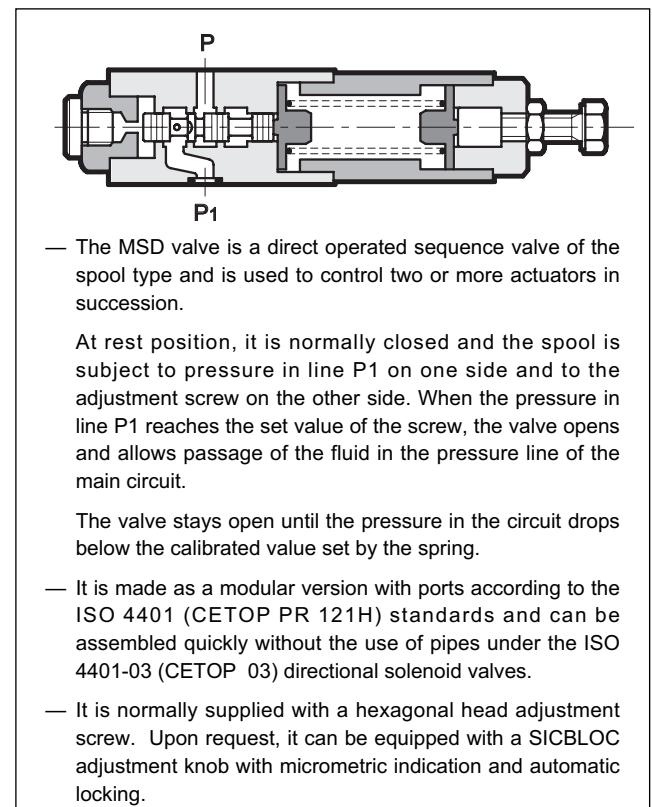
MODULAR VERSION ISO 4401-03 (CETOP 03)

p max 350 bar
Q max (see table of performances)

MOUNTING INTERFACE



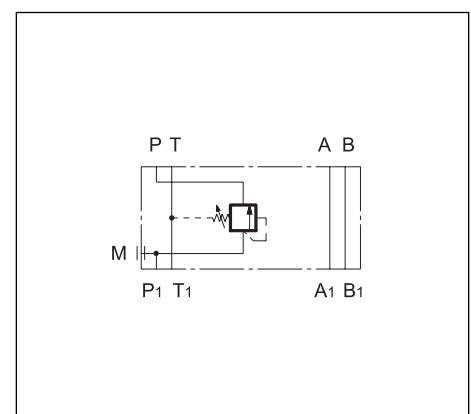
OPERATING PRINCIPLE



PERFORMANCES (measured with mineral oil of viscosity 36cSt at 50°C)

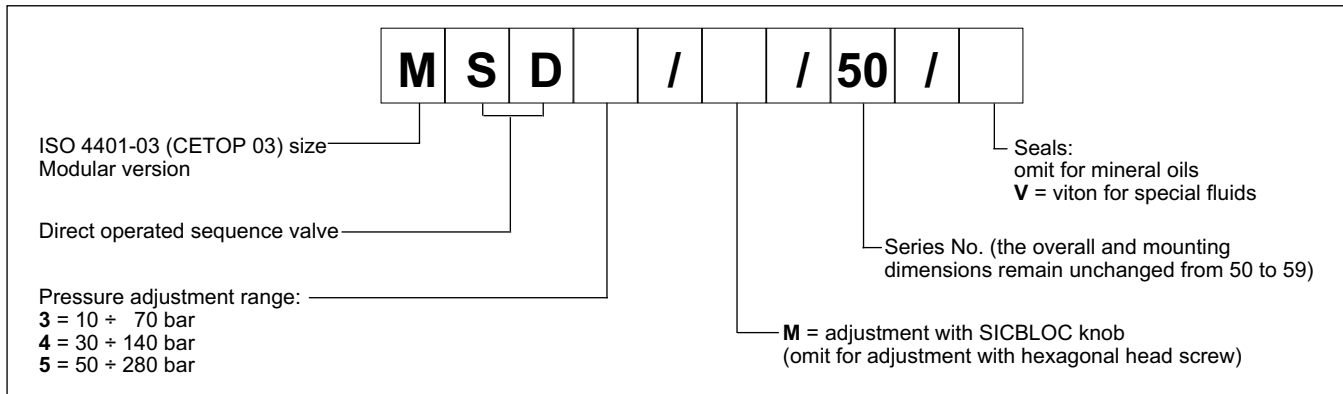
Maximum operating pressure	bar	350
maximum pressure on port T		10
Maximum flow rate in the controlled lines	l/min	50
Maximum flow rate in the free lines		75
Ambient temperature range	°C	-20 / +50
Fluid temperature range	°C	-20 / +80
Fluid viscosity range	cSt	10 ÷ 400
Fluid contamination degree	According to ISO 4406:1999 class 20/18/15	
Recommended viscosity	cSt	25
Mass:	kg	1,4

HYDRAULIC SYMBOLS

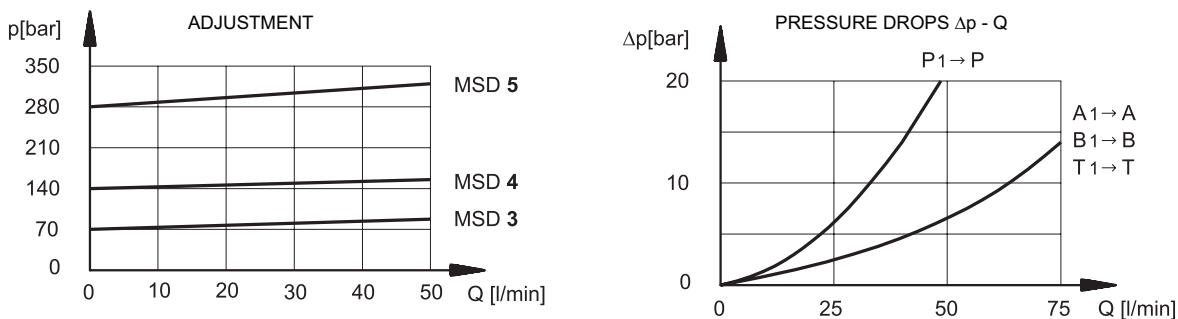




1 - IDENTIFICATION CODE



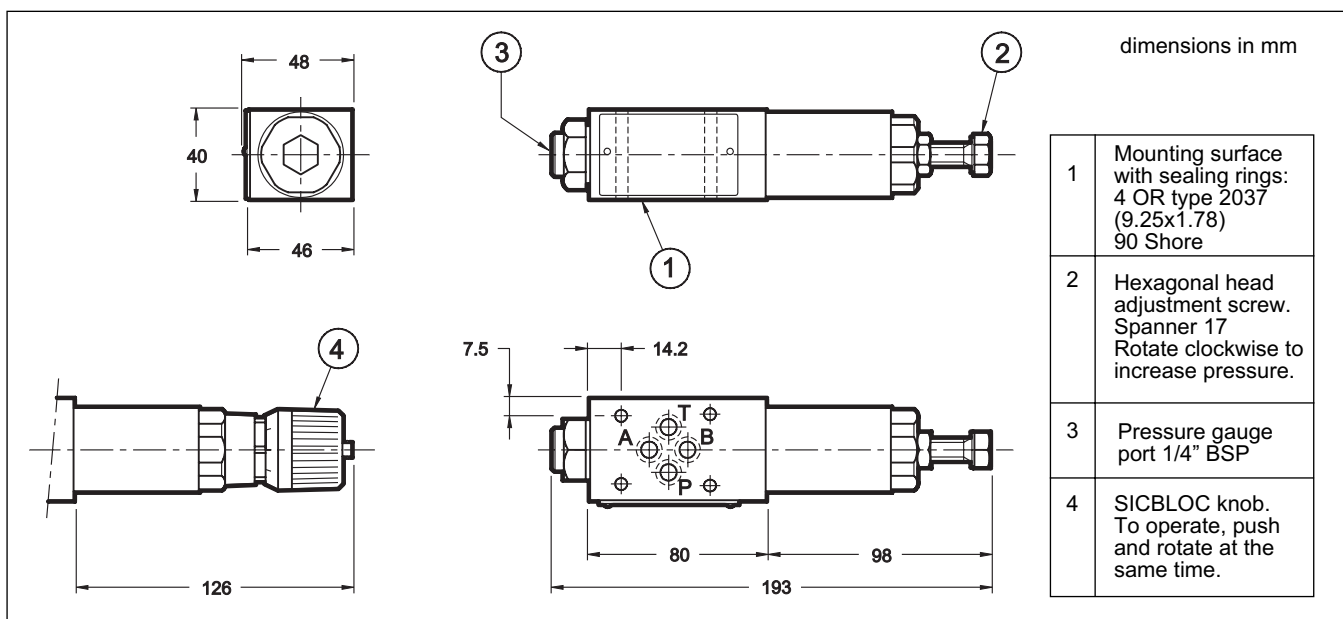
2 - CHARACTERISTIC CURVES (values obtained with viscosity of 36 cSt at 50°C)



3 - HYDRAULIC FLUIDS

Use mineral oil-based hydraulic fluids HL or HM type, according to ISO 6743-4. For these fluids, use NBR seals. For fluids HFDR type (phosphate esters) use FPM seals (code V). For the use of other kinds of fluid such as HFA, HFB, HFC, please consult our technical department. Using fluids at temperatures higher than 80 °C causes a faster degradation of the fluid and of the seals characteristics. The fluid must be preserved in its physical and chemical characteristics.

4 - OVERALL AND MOUNTING DIMENSIONS



DIPLOMATIC OLEODINAMICA SpA
 20025 LEGNANO (MI) - P.le Bozzi, 1 / Via Edison
 Tel. 0331/472111 - Fax 0331/548328