



DIPLOMATIC
HYDRAULICS

64 410/107 ED

QTM7

FLOW RESTRICTOR VALVE

SERIES 10

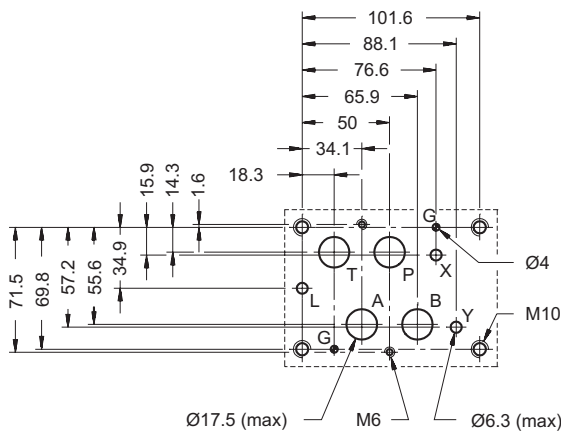


MODULAR VERSION ISO 4401-07 (CETOP 07)

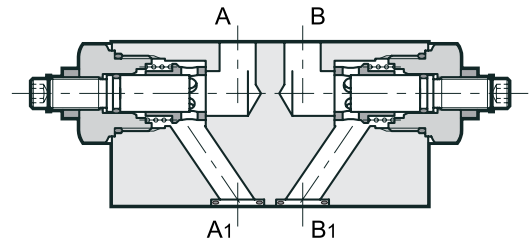
p max 350 bar
Q max 250 l/min

MOUNTING INTERFACE

ISO 4401-07-06-0-94
(CETOP 4.2-4-07)



OPERATING PRINCIPLE



- This is a flow restrictor valve with built in check valve for reverse free flow, made as a modular version with mounting surface according to the ISO 4401 (CETOP RP 12H) standards.
- It can be assembled quickly under all ISO 4401-07 (CETOP 07) modular valves without use of pipes, using suitable tie-rods or bolts, thus forming compact modular groups.
- It is supplied with countersunk hex adjustment screw and locking nut. Rotate anticlockwise to increase the flow rate.

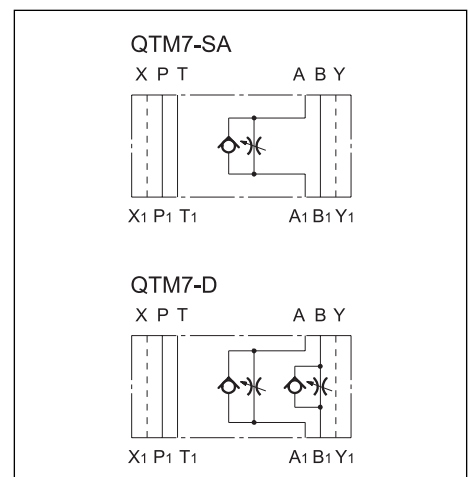
CONFIGURATIONS (see Hydraulic symbols table)

- Configuration "SA": Allows the flow control exiting from the actuator on line A.
- Configuration "D": Allows independent control of the flow exiting from the chambers A and B of the actuator.
- All the configurations have a built-in check valve that allows free reverse flow (cracking pressure of 0,7 bar).

PERFORMANCES (measured with mineral oil of viscosity 36cSt at 50°C)

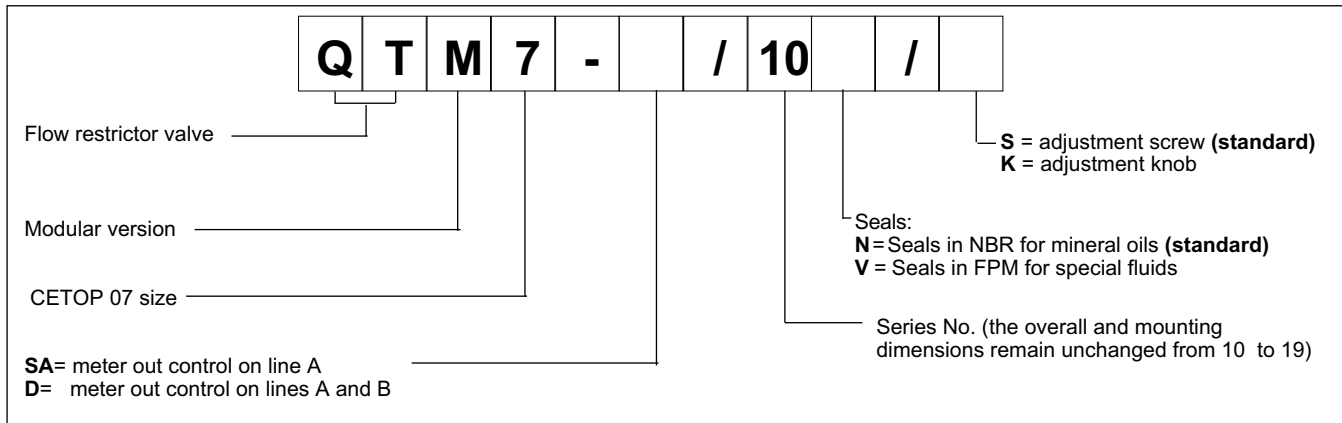
Maximum operating pressure	bar	350
Maximum flow rate	l/min	250
Ambient temperature range	°C	-20 / +50
Leakage flow with restrictor closed		≤ 0,5
Check valve opening pressure		0,7
Fluid temperature range	°C	-20 / +80
Fluid viscosity range	cSt	10 ÷ 400
Fluid contamination degree	According to ISO 4406:1999 class 20/18/15	
Recommended viscosity	cSt	25
Mass: QTM7-SA	kg	7,35
QTM7-D		7,7

HYDRAULIC SYMBOLS

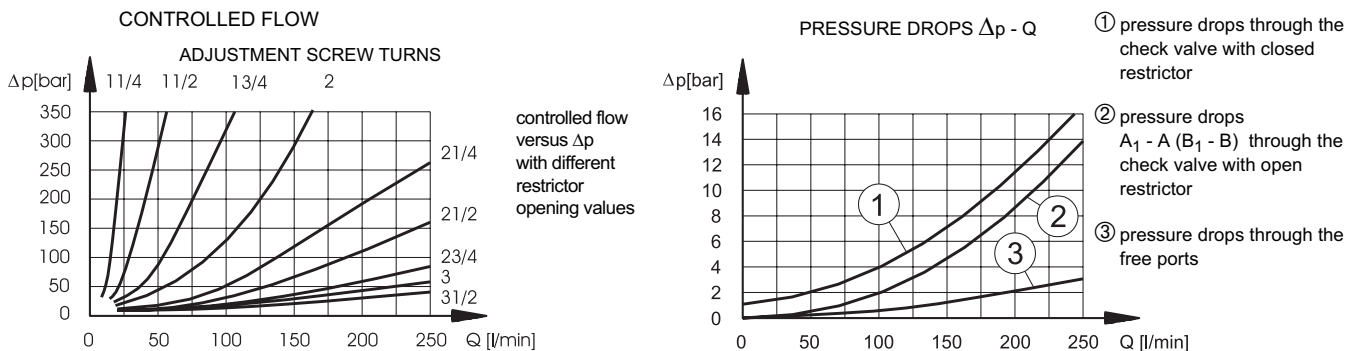




1 - IDENTIFICATION CODE



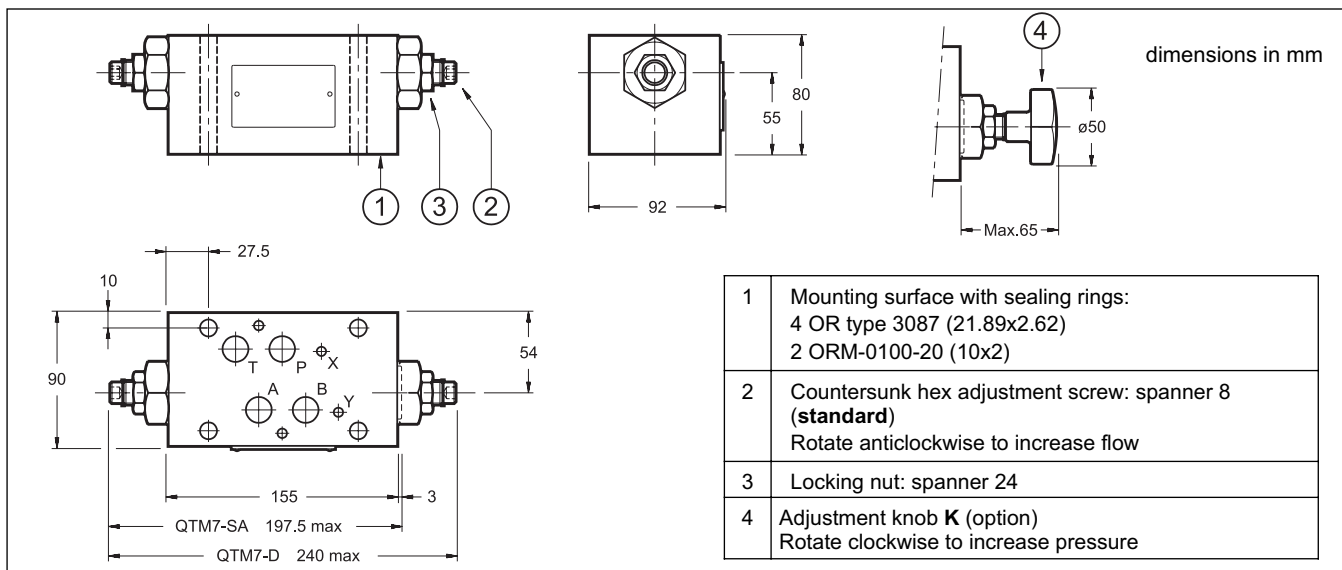
2 - CHARACTERISTIC CURVES (values obtained with viscosity of 36 cSt at 50°C)



3 - HYDRAULIC FLUIDS

Use mineral oil-based hydraulic fluids HL or HM type, according to ISO 6743-4. For these fluids, use NBR seals. For fluids HFDR type (phosphate esters) use FPM seals (code V). For the use of other kinds of fluid such as HFA, HFB, HFC, please consult our technical department. Using fluids at temperatures higher than 80 °C causes a faster degradation of the fluid and of the seals characteristics. The fluid must be preserved in its physical and chemical characteristics.

4 - OVERALL AND MOUNTING DIMENSIONS



	<p style="margin: 0;">DIPLOMATIC OLEODINAMICA SpA</p> <p style="margin: 0;">20025 LEGNANO (MI) - P.le Bozzi, 1 / Via Edison</p> <p style="margin: 0;">Tel. 0331/472111-472236 - Fax 0331/548328</p>
--	--