





 **Aytok**[®]
Water Filter Systems

 **Fittech**[®]
Fittings Technology

 **Hydfilt**[®]
Water Filter Systems

 **Hydrofilt**[®]
Self Cleaning Hydraulic Filter

 www.famcocorp.com
 E-mail: info@famcocorp.com
 @famco_group

 Tel: ۰۲۱-۴۸۰۰۰۰۴۹
 Fax: ۰۲۱-۴۴۹۹۴۶۴۲

تهران، کیلومتر ۲۱ بزرگراه لشگری (جاده مخصوص کرج)
روبروی پالایشگاه نفت پارس، پلاک ۱۲



Aytok has started its manufacturing journey with PE fittings for driplines in 1997. A while later, Aytok management saw a market opportunity and started plastic and metal filtration manufacturing in Konya.

This decision created marvelous results and carried Aytok into a market leader manufacturer position in Turkey. Behind this success surely focus on R&D, market-field analysis and inspections are taken seriously by Aytok management. Aytok as a market leader also opened new areas like on field troubleshooting service, on factory maintenance promotions, applying technology and control systems are well known and appreciated by the consumers.

Today, Aytok is serving with 12380m2 covered, total 30.000m2 facility area, 50 total employees, dedicated engineers and export department with 45 countries in the portfolio. This allows Aytok to play a high quality leader brand in local market and also be a global player who follows international manufacturing standards with export focus capabilities.

Aytok targets to keep its credentials coming along the years, create added value with innovative products and stabilize its position in the top five of filtration industry.

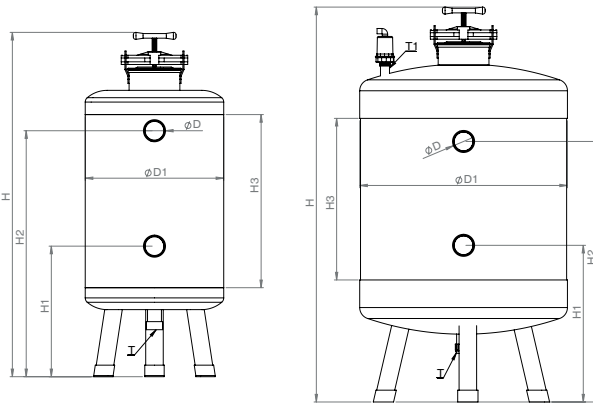


METAL SAND MEDIA (GRAVEL) FILTERS

FAMCO
هایپر صنعت



Code	D	D1	T	T1	H	H1	H2	H3	Flow	Max. pressure	Sand Capacity	Weight
	inch				mm				m ³ /h	bar	kg	kg
3020	2	18	¾	-	1250	400	900	700	15	8	150	52
3025	2½	24	2	-	1450	560	1060	750	20	8	300	77
3030	3	24	2	-	1450	560	1060	750	24	8	300	82
3040	4	24	2	-	1700	560	1260	1000	28	8	350	94
3050	3	32	2	1	1500	610	1090	700	45	8	350	130
3060	3	36	2	1	1550	620	1100	700	50	8	450	155
3070	4	36	2	1	1550	650	1100	700	55	8	450	165
3080	4	48	2	1	1650	720	1170	700	80	8	700	270



3090 GRAVEL TANK (SAND MEDIA FILTERS)

Code	D	D1	D2	M	T	T1	H	H1	H2	H3	Flow	Max. pressure	Sand Capacity	Weight
	inch				mm				m ³ /h	bar	kg	kg		
3090	4	36	3	¼	2	-	1800	410	1250	1200	70-90	8	800	285
3090B	4	36	3	¼	2	1	2120	410	410	1200	70-90	8	800	320
3090S	4	36	3	¼	2	1	2780	410	410	1200	70-90	8	800	340
3090SM	4	36	3	¼	2	1	3000	410	410	1200	70-90	8	800	360

