



IRRIGATION CATALOG

Agriculture

PROFESSIONAL IRRIGATION SYSTEMS
...FOR A SUSTAINABLE WORLD

20

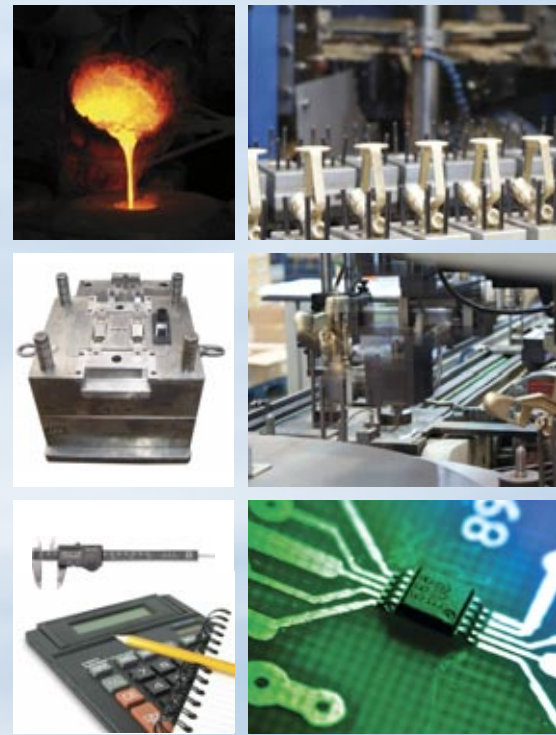
The company VYR S.A.



VYR S.A. is a Spanish company with 50 years of experience in the manufacture of sprinklers and irrigation systems. Today is one of the leading irrigation companies and has an international presence on the five continents through a network of distributors in over 90 countries worldwide.

One feature that has always defined our brand, and that always has concerned us, is to achieve the highest quality. So we want to thank all those who have placed their trust in VYR and from there to ensure that the quality and good service will always be our reason for being.

Our mission: To manufacture high quality and reliable sprinkler irrigation equipment to increase energy efficiency, create high coefficients of uniformity in irrigation and improve water saving, thus increasing productivity and effectiveness to our customers.



EUROPEAN
TECHNOLOGY

SPANISH
ENGINEERING

CASTILLAN
QUALITY

INNOVATION
SPIRIT



MANUFACTURER Production 100%

CASTING FOUNDRY - PLASTIC INJECTION - STAMPING - DIECUTTING - MECHANIZATION
ASSEMBLING - ELECTRONICS - R+D+i - QUALITY ASSURANCE - LOGISTICS - TECH SUPPORT

The **I+D+i** (Research, Development and Innovation) of new products, quality control and implementation of the latest technological advances in the manufacturing process, make our brand to be the best tool to win our customers confidence.

TECHNICAL SUPPORT AND TRAINING: VYR S.A. offers to all our customers the technical support to develop your projects more easily and effectively. There are also different training courses to learn how to get the best possible performance for all VYR products.

QUALITY ASSURANCE: The quality is guaranteed at VYR S.A. by our AENOR certificate that proves we are under the **ISO 9001:2000** (Quality Control) regulations, and **UNE 16002** (I+D+i).



Color code index

16-118 AGRICULTURAL SPRINKLERS

- LOW FLOW

- VYR-3000 MICRO-TWISTER	Pg. 16	- VYR-802 AG	Pg. 30
- VYR-3100 MINI-SPINNER.....	Pg. 18	- VYR-26 LA	Pg. 32
- VYR-868 / 968.....	Pg. 20	- AGRO-STAND	Pg. 34
- VYR-59 MERCEDES	Pg. 21	- ACCESSORIES AGRO-STAND	Pg. 35
- VYR-3250	Pg. 22	- VYR-3 / 3W	Pg. 36
- VYR-4000 LA ROTEC	Pg. 24	- VYR-25 L	Pg. 38
- VYR-16	Pg. 26	- VYR-28	Pg. 40
- VYR-26	Pg. 28	- VYR-50 AG.....	Pg. 42

- MEDIUM FLOW

- Anti-Frost Sprinklers

- VYR-23	Pg. 46
- VYR-33 P	Pg. 48
- VYR-33	Pg. 50

- MEDIUM FLOW

- Medium Flow "Full circle"

- VYR-4000 ROTEC	Pg. 64
- VYR-35	Pg. 66
- VYR-36	Pg. 68
- VYR-37	Pg. 70
- VYR-46.....	Pg. 72
- VYR-56	Pg. 74
- VYR-70	Pg. 76

PART-CIRCLE SPRINKLERS

- Low Flow "Part Circle"

- VYR-50 AG	Pg. 90
- VYR-80 AG.....	Pg. 92
- VYR-803 AG	Pg. 94
- VYR-802 AG	Pg. 96

- Medium Flow "Part Circle"

- VYR-60.....	Pg. 98
- VYR-66.....	Pg. 100
- VYR-67	Pg. 102

- Sprinklers for PIVOT

- VYR-3300 PÍVOT SPRAYER	Pg. 54
- VYR-3400 TURBO-ROTEC	Pg. 56
- VYR-46.....	Pg. 58
- VYR-19 PRESSURE REGULATORS.....	Pg. 60
- VYR-160-144-100 GRILLO	Pg. 61

- High Flow "Full circle"

- VYR-70 VC.....	Pg. 78
- VYR-70 VL	Pg. 80
- VYR-86	Pg. 82
- VYR-144 C	Pg. 84
- VYR-155	Pg. 86

- High Flow "Part Circle"

- VYR-65	Pg. 104
- VYR-166.....	Pg. 106
- VYR-150	Pg. 108
- VYR-160.....	Pg. 110
- VYR-144 S.....	Pg. 112
- VYR-175	Pg. 114

- High Flow Guns "Part Circle"

- VYR-100 GRILLO	Pg. 116
- VYR-157	Pg. 118

122-144 CONTROLLERS AND TELE-MANAGEMENT SYSTEMS

LATCHING BATTERY CONTROLLERS

- Battery Operated Latch Controllers

- VYR-6050-6051 TAP-PRO.....	Pg. 122
- VYR-6053 BT	Pg. 123
- VYR-6060 AMPHIBIO.....	Pg. 124
- VYR-6010 MASTER-LATCH.....	Pg. 126
- HELIOS COM	Pg. 127
- VYR-6010 4.0	Pg. 128
- VYR-6011 RADIO DECODER	Pg. 129
- OASIS RD.....	Pg. 130
- HYDRO-PLUS 4.0	Pg. 131

- Power Controllers and DECODERS

- VYR-6015 2WIRE-DECODER	Pg. 134
- SKYDROP ARC	Pg. 136
- SKYDROP PLUS	Pg. 138

- Accessories for Controllers

- CABINET AND BOXES	Pg. 140
- CONNECTIONS	Pg. 141
- SENSORS.....	Pg. 142
- RECHARGING SYSTEMS	Pg. 145
- METEO STATIONS.....	Pg. 146

- VALVES**- Hydrant Valves**

- VYR-81-82-83Pg. 150

- VYR-81P-82P-83PPg. 151

- Micro-Valves

- VYR-6230Pg. 152

- Solenoid Valves

- VYR-6160 PRECISSIONPg. 153

- VYR-6151 HIGH-FLOWPg. 154

- Hydraulic Valves and Accessories

- VYR-6152 PLASTIC 2" and 3"Pg. 156

- VYR-6110 PLASTIC MODULAR 4"Pg. 158

- VYR-6110 METAL THREADPg. 160

- VYR-6115 METAL SLOTPg. 161

- VYR-6111 METAL BRIDAPg. 162

- VYR-6112 METAL DOUBLE-BODYPg. 163

- VYR-6120 METAL HYDRANTSPg. 167

- FLOW-METERSPg. 170

- ELECTROMAGNETIC FLOW-METERSPg. 172

- ACCESSORIES HYDRAULIC VALVESPg. 174

- PRESSURE GAUGESPg. 175

- SOLENOIDSPg. 176

- HYDRAULIC RELAYPg. 178

- REGULATION PILOTSPg. 179

- HYDRAULIC PILOTSPg. 180

- HYDRAULIC RACORDSPg. 182

- HYDRAULIC ACCESSORIESPg. 183

- Fixed Pressure Regulators

- VYR-19Pág. 184

- VYR-19 HFPág. 186

- Air Release Valves

- VYR-39 SIMPLE ACT.Pág. 188

- VYR-39 DOBLE-TRIPLE-ACT.Pág. 189

- VYR-39 TRIPLE-ACT.Pág. 190

- Agro-StandPág. 194

- Agro-FlatPág. 195

- Agro-PipePág. 196

- Agro-RainPág. 198

- Connectors and Racords

- ConnectorsPág. 202

- Modular ManyfoldsPág. 204

- Hose CouplersPág. 205

- ClampsPág. 207

- Lanzas y Pistolas de Riego

- Hose NozzlesPág. 208

- Ball Valves

- VYR-17Pág. 209

- VYR-30 ArticPág. 209

- VYR-32Pág. 210

- VYR-31Pág. 211

- Sprinkler Stands

- VYR-87 Sleds and TripodsPág. 212

- VYR-76 Spike and Base StandsPág. 213

- Hoses and accessoriesPág. 214

- Filtration and Dosing

- Manual FiltersPág. 216

- Hydraulic InjectorsPág. 217

- Venturi InjectorsPág. 218

- Generale Technical DataPág. 220

- Garantty and SupportPág. 224

- Nozzles TablesPág. 225



New Products 2020



New nozzles VYR-3000 - VYR-3100

We expanded the range of modular micro-sprinkler nozzles offering multiple mounting combinations.

FLOW: 30 - 160 L/H
RANGE: 1 - 8,5 m
PRESSURE: 1,1 - 3 BAR

Pág. 12



VYR-4000 "ROTEC"

Rotating plastic sprinkler 3/4 "male. Optional deflector for 180° sector. Interchangeable nozzles, plates and motor with color code.

FLOW: 630 - 1900 L/H
RANGE: 6 - 15 m
PRESSURE: 1,5 - 3 BAR

Pág. 60



VYR-4000 LA 8° y 12°

1/2" male circular rotating plastic sprinkler. Optional deflector for 180° sector. Interchangeable nozzles, plates and motor with color code.

FLOW: 200 - 700 L/H
RANGE: 4 - 8 m
PRESSURE: 1,5 - 3 BAR

Pág. 20



VYR-3400 TURBO-ROTEC

Rotary sprinkler with silicone brake for reverse irrigation in pivot. Interchangeable nozzles, plates and motor with color code.

FLOW: 100 - 6000 L/H
RANGE: 2,5 - 8 m
PRESSURE: 1 - 3 BAR

Pág. 52



VYR-37 and VYR-67 Low Pressure

Full circle / part-circle sprinklers 3/4 "male / female in plastic. Two bayonet nozzles with angles of 25° and 30°.

FLOW: 600 - 3200 L/H
RANGE: 10 - 15 m
PRESSURE: 2 - 4 BAR

Pág. 66/98



VYR-175 MINI-GUN of 11/2"

Full-circle / part-circle sprinkler 3/4 "male / female in aluminum, brass and plastic. Two nozzles with angles of 27° and 22°.

FLOW: 9000 - 32000 L/H
RANGE: 20 - 35 m
PRESSURE: 2 - 6 BAR

Pág. 114



Hydro-NET

Fix and Mobile Coverage Pipe Systems
We offer one of the widest ranges of the market in pipe and all types of fittings and accessories for the installation of mobile and fixed coverage systems in irrigation projects.

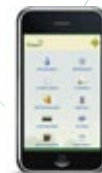
Pág. 194



Hydro-CAD

Irrigation Design Software
Design program for drip and sprinkler irrigation systems, hydraulic sizing, with export of bills of material and valuation thereof.

Pág. 8



Hydro-PLUS 4.0

Remote Control Software (APP)
This is our web environment program or downloadable free from the stores for IOS or ANDROID for the remote control of all our programmers with HydroPLUS communications access.

Pág. 131



New Products 2020



Pág. 122

PG-6053 LATCH 9 Vdc "BlueTooth"
"LATCH" programmer with 2 AAA 1.5 Vdc batteries. Connectivity through BLUETOOTH 5.0 through a downloadable APP for free for IOS and ANDROID mobile devices. Manual opening and closing with status light. Fittings for connection to faucet 1" H and 3/4" H and output 3/4" M or hose express fittings.



Pág. 124

PG-6060 LATCH 9Vdc "BlueTooth"
"LATCH" programmer with 6 AAA Vdc or 9Vdc alkaline batteries. It has three models of 1, 4 and 6 stations, with 3 programs and 8 stations per program. Logical and easy to operate from membrane keypad with 6 keys. Quick manual opening and closing from the keyboard.



Pág. 128

PG-6010 4.0 and PG-6011
New re-design of PG-6010 programmer "LATCH" with 9-12Vdc power supply. This new version now has a FERTIRRIGATION program and a program of IRRIGATION ON DEMAND, in addition to other existing irrigation programs or filters. It also has remote control Hydro-PLUS.



Pág. 123

COMUNIC. OASIS: WiFi/LoRa/GPRS
New modular BRICK cards to connect PG-6010, PG-6011 and PG-6060 programmers and provide these with remote connectivity to our HydroPLUS application. LORA communication with great coverage and connection to the network through 3G / 4G, WiFi or BlueTooth



Pág. 134

PG-6011 WD 4.0
Version similar to the current programmer PG-6010 3.0 but with 24Vac power and DECODER system for opening and closing up to 127 valves through 2 wires. It has 1 or 2 valve decoders. It also has remote control Hydro-PLUS.



Pág. 136

SKYDROP ARC
Smart Controller WIFI of 24 Vac.
Electric programmer for indoor / outdoor 24 Vac. which interacts with local meteorological data. Models of 8 and 16 stations, valve, master, inhibition sensors (rain sensor), calendar, etc. Easy to install and manage from any mobile device through the APP.



Pág. 158

VYR-6154 Modular Hydraul. Valve 4"
New 4" hydraulic valve made of plastic with modular connection of different type: FEMALE THREAD, FLANGE, GROOVE, PVC GLUE, PE ELECTRO-SOLDILE. Flow range of 20-170 m³ / H and two versions in PN-6 and PN-10.



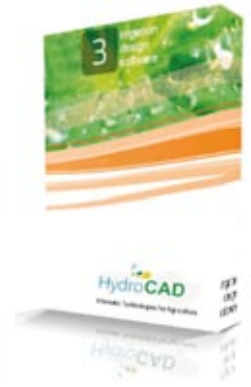
Pág. 176

Pressure Reg Pilot for Solenoid Valves
New pressure regulator pilot as an accessory for all our electro-valves. It has a lateral mini-manometer for regulation. Regulation range from 1 to 10 BAR.



Pág. 172

EM-700-800 Electro-Magnetic Flow Meters and Transmitter M-500
New range of electro-magnetic flowmeters from DN-50 to DN-1000 with a measuring range of up to 800 m³ / H. Digital data transmitter and accumulator reader M-500.



VYR S.A. It has a specialized department for the calculation and design of all types of sprinkler irrigation projects. From its initial measurement and topographic phase of the land to the hydrographic calculation and design of the spacings between sprinklers and laterals. Our engineers will offer you the best possible solution according to your needs.

These are some of the different services that VYR S.A. it can offer:

- Data collection (topography, soil type, prevailing winds, availability of flow and pressure, measurements of tillage machinery, types of crops, weather, etc.).
- Conceptual design and choice of "Method" (See page 190).
- Topographic calculation.
- Differences in height and pressure. Design of supply rafts.
- Pumping and filtration calculations.
- "Ferti-Irrigation" options with injectors.
- Calculation of crop water needs (crop coefficients and Ep).
- Spacing between sprinklers and sides. Retranqueo in perimeters.
- Complete list of construction materials.
- Hydraulic sizing of pipes and hydrants.
- Civil Works contracting plan.
- Automation of the system and options of Control and Tele-management.
- Integration in Irrigation Communities.
- Start up.
- Advice and training for maintenance.



Let yourself be advised by our professionals to get the most out of your irrigation systems.

The wide experience and our engineering capacity will bring you the highest efficiency and the best production results.

DOWNLOAD MAPS AND TOPOGRAPHY

DESIGN OF HYDRAULIC NETWORK AND DIMENSIONING

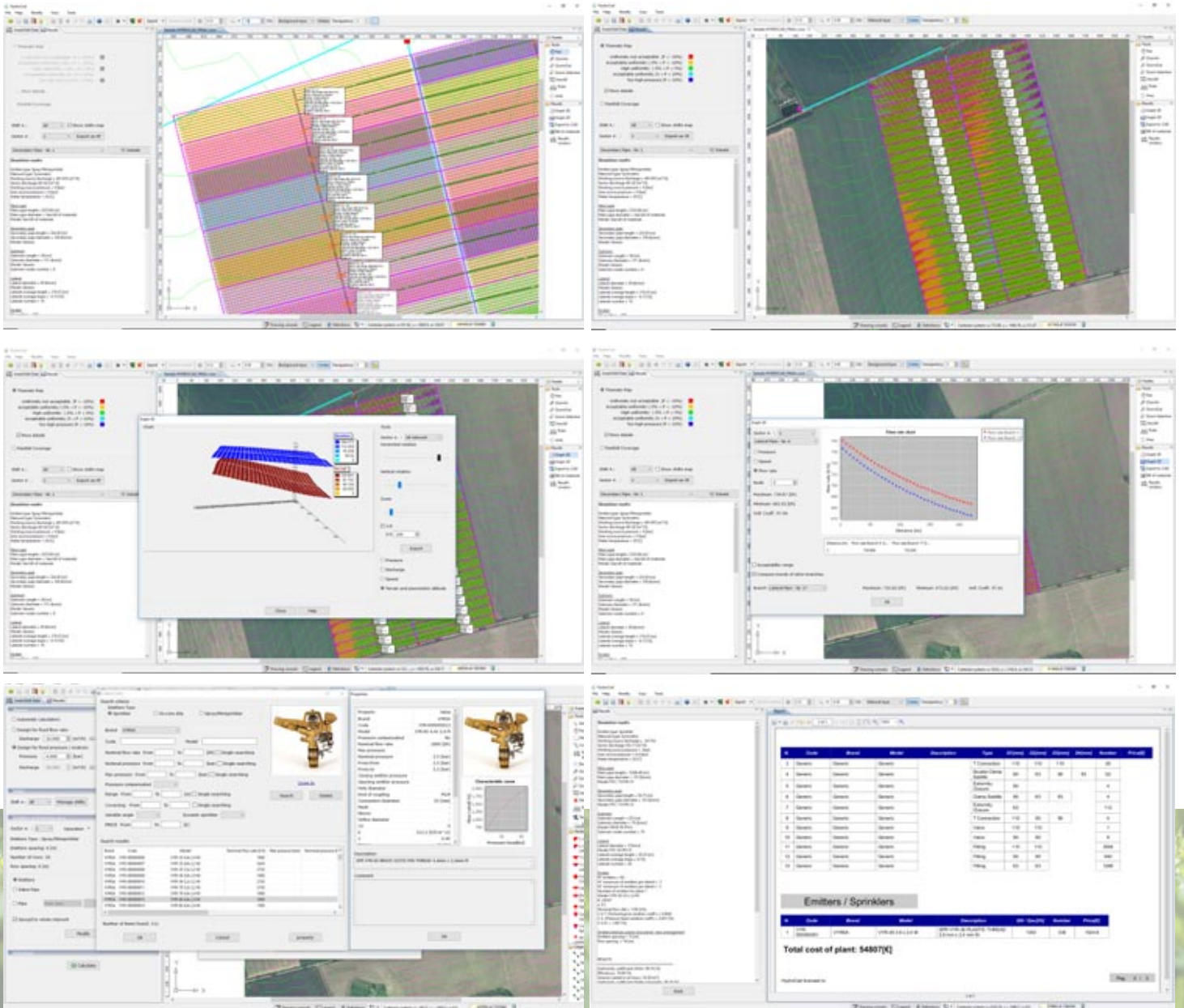
CHOICE OF MATERIALS

MAP OF SECTORIZATION AND CALCULATION OF CU's

LIST OF VALUED MATERIALS

ANALYSIS OF RESULTS

Menus and Intuitive Screens



**DRIP
MICRO-SPRINKLERS
SPRINKLERS**

Irrigation Methods

Contact our technical department for the development of custom projects with our HYDRO-CAD software.



The most appropriate system for your fields

- There are different methods of applying sprinkler systems depending on various factors: crop type, land extension, water requirements, soil texture, etc. VYR S.A. has created a series of adaptable designs to different types of crops depending on seasonality and hydraulic design models.
- We can differentiate into 2 groups, mobile systems and fixed systems, and within these sub-groups:
 - **Mobile Systems:**
 - Low flow mobile coverage systems **Agro-Stand & Agro-Flat**. Spacing up to 12x12 m
 - Medium flow aluminium /plastic mobile system, **Agro-Pipe**. Spacing up to 12x12 up to 28x28 m
 - Medium flow mix aluminium/PE-PVC mobile systems-PE/PVC. Spacing up to 12x12 up to 28x28 m
 - Side-Rolls.
 - **Fix Systems:**
 - Semi-fix coverage system. Secondary lines buried and mobile laterals.
 - Systems with main line buried and branch lines with hydrant outlets.
 - Automatic fix underground system (**Agro-Rain**). Spacing from 15 up to 24 m (18x18 standard). Long range spacing of 28x28 m

INVESTMENT AND PROFITABILITY:

- When deciding on the ideal method of irrigation projects you should take into account not only the initial investment costs of equipment and civil works but should also consider maintenance costs, profitability and efficiency.

There will not be a good investment just by buying a cheap irrigation system if later you will not get an optimal crop production and if maintenance costs are constant and costly (labor, energy costs, spare parts, etc). We believe that to make such decisions should take a minimum amortization period of 10 years to know the final cost of the system.

Be informed by our professionals to offer the solution with the irrigation method that best suits your needs and cultures.



CROP APPLICATIONS (Kc)

The irrigation solution for each type of crop

Cereals

Irrigation systems fixed and mobile automatic extension. Recommended automation and sectorization for maximum performance.



Download from our website
www.vyrsa.com
irrigation recommendations
technical reports
in different crops.



Horticultural and Tuberculous

High-rotation automatic and fixed irrigation systems. Stationary systems adaptable for variation of flow rates and irrigation frames with high frequency.



Fruit Trees

Automatic fixed and mobile irrigation systems adapted to trellises and sub-arboreal and over-arboreal irrigation. Anti-freeze irrigation systems.



Pastures and Forages

Irrigation systems mainly fixed.
Automation of meteorological adaptation and use of fertigation.



Greenhouses and Nurseries

Drip irrigation systems, nebulization and micro-spraying. Fixed and mobile with high automation. Hydroponics systems.



Citrus

Irrigation systems fixed and mobile automatic extension.
It is convenient to have sub-arboreal irrigation (drip or micro sprinkling) and over-arboreal (sprinkling).



Sugar Crops

Irrigation systems fixed and mobile automatic extension. Wide irrigation frames. Recommended automation and sectorization for maximum performance.





Design, calculation and projects sizing

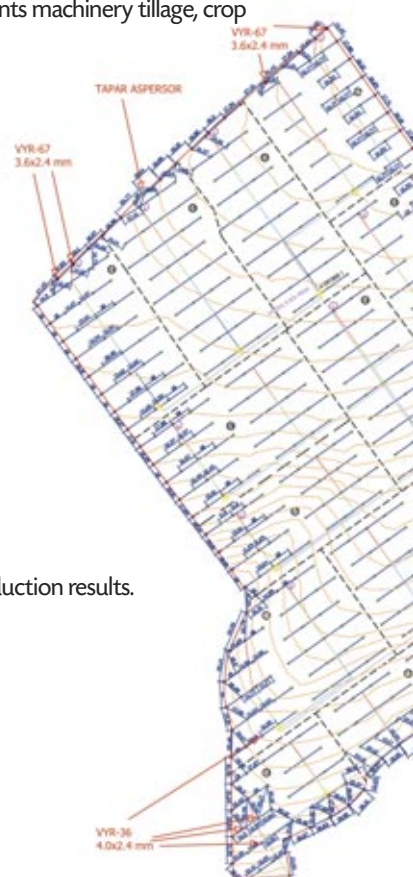
VYR.S.A. has specialized for the calculation and design of all types of sprinkler irrigation projects. Since its initial phase and topographic measurement of the land to the hydrographic calculation and design of sprinkler and lateral spacings. Our engineers will offer the best possible solution for your needs.

These are some of the different engineering design services VYR.S.A. can offer:

- Collection of data (topography, soil type, prevailing winds, availability of flow and pressure measurements machinery tillage, crop types, meteorology, etc.).
- Conceptual design and choice of best "Method" (See page 190).
- Topographic calculus.
- Differences in height and pressure. Design supply rafts.
- Calculations pumping and filtration.
- Options "Ferti-Irrigation" with injectors.
- Calculation of crop water requirements. (Crop coefficients and Ep).
- Spacing between sprinklers and laterals. Setback in perimeters.
- Full list of building materials.
- Sizing of hydraulic pipes and hydrants.
- Plan procurement of Civil Works.
- System Automation and Control options and Tele-management.
- Integration Irrigation Communities.
- Start up.
- Advice and training for maintenance.

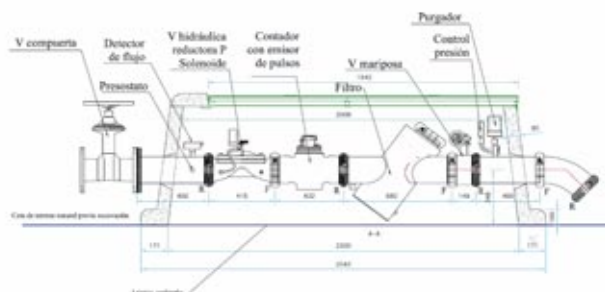
Be informed by our professionals to get the most out of our irrigation systems.

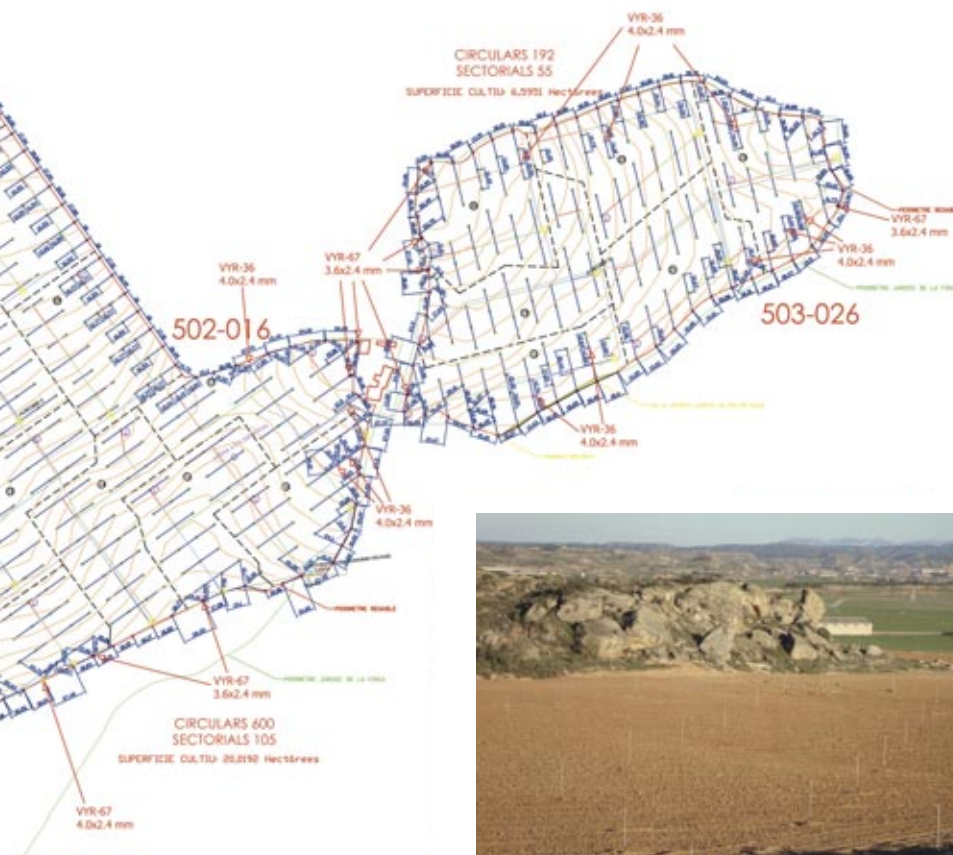
The extensive experience and our engineering capabilities will provide greater efficiency and better production results.



Supply of equipment and materials (BOM):

- Our engineers will provide the best solutions in the design of irrigation taking into account all the components that in turn will supply:
 - Sprinklers. The widest range on the market!
 - Pipes, fittings and special adapters.
 - Filtration and dosage of fertilizers.
 - Hydraulic valves and solenoid valves.
 - Suction, pressure regulators and flow regulators.
 - Control Systems and Tele-management and automation and sensors.
 - Pumping Systems.
 - Manifolds and other watering accessories.









Agriculture

Low Flow Irrigation

- VYR-3000 MICRO-TWISTERPg. 16
- VYR-3100 MINI-SPINNERPg. 18
- VYR-868 / 968Pg. 20
- VYR-59 MERCEDES.....Pg. 21
- VYR-3250Pg. 22
- VYR-4000 LA ROTECPg. 24
- VYR-16Pg. 26
- VYR-26.....Pg. 28
- VYR-802 AGPg. 30
- VYR-26 LAPg. 32
- AGRO-STANDPg. 34
- ACCESORIOS AGRO-STANDPg. 35
- VYR-3 / 3WPg. 36
- VYR-25 L.....Pg. 38
- VYR-28.....Pg. 40
- VYR-50 AGPg. 42

VYR-3000 Micro-Twister



VYR-3000 MICRO-TWISTER · AG Micro-Sprinklers

GENERAL PROPERTIES:

- Modular assembly system.
- Quick barb and threaded connection.
- Manufactured in plastic Delrin for durability.
- Easy maintenance and cleaning.
- Nozzles in different color codes. Modular assembly system.
- Radius of irrigation: 360°
- Optional anti-bugs cap.

TECHNICAL SPECIFICATIONS:

- Range: 0.4 - 8.5 m
- Flow: 30 - 160 l/h. Auto-compensation optional!
- Working pressure: 1.1 - 3 BAR
- Nozzles: Bayonet nozzles color coded.
- Nozzle angle: From 8° to +25°
- Maximum jet height: 1.3 m

MODELS:

- Ref. 430001: Body.
- Ref. 430002: Black swivel, long range.
- Ref. 430003: Blue swivel, short range.
- Ref. 430004: Grey swivel, with deflector.
- Ref. 430005: Green swivel, upside down.
- Ref. 430006: Violet difuser.
- Ref. 430007: Anti-bugs cap.
- Ref. 430120: Grey nozzle with barb.
- Ref. 430121: White nozzle with barb.
- Ref. 430122: Brown nozzle with barb.
- Ref. 430123: Blue nozzle with barb.
- Ref. 430124: Green nozzle with barb.
- Ref. 430125: Yellow nozzle with barb.
- Ref. 430126: Violet nozzle with barb.
- Ref. 430127: Black nozzle with barb.
- Ref. 430128: Red nozzle with barb.

- Ref. 430220: Grey nozzle with thread Ø 4,5 mm
- Ref. 430221: White nozzle with thread Ø 4,5 mm
- Ref. 430222: Brown nozzle with thread Ø 4,5 mm
- Ref. 430223: Blue nozzle with thread Ø 4,5 mm
- Ref. 430224: Green nozzle with thread Ø 4,5 mm
- Ref. 430225: Yellow nozzle with thread Ø 4,5 mm
- Ref. 430226: Violet nozzle with thread Ø 4,5 mm
- Ref. 430227: Black nozzle with thread Ø 4,5 mm
- Ref. 430228: Red nozzle with thread Ø 4,5 mm

- Ref. 430240: Grey nozzle with thread 1/8"
- Ref. 430241: White nozzle with thread 1/8"
- Ref. 430242: Brown nozzle with thread 1/8"
- Ref. 430243: Blue nozzle with thread 1/8"
- Ref. 430244: Green nozzle with thread 1/8"
- Ref. 430245: Yellow nozzle with thread 1/8"
- Ref. 430246: Violet nozzle with thread 1/8"
- Ref. 430247: Black nozzle with thread 1/8"
- Ref. 430248: Red nozzle with thread 1/8"

- Ref. 430131: Spike 40 cm
- Ref. 430132: Double barb connector.
- Ref. 430133: Connector barb and thread Ø 4,5 mm
- Ref. 430134: Double thread connector Ø 4,5 mm
- Ref. 430135: Up-side-down weight stabilizer.
- Ref. 430136: Micro-pipe 6,5x4,5 mm of 60 cm (1000 meters).

- Ref. 430506: Self-comp. valve 22 l/h SILVER (6 GPH).
- Ref. 430508: Self-comp. valve 30 l/h ORANGE (8 GPH).
- Ref. 430510: Self-comp. valve 38 l/h BLUE (10 GPH).
- Ref. 430512: Self-comp. valve 45 l/h GREY (12 GPH).
- Ref. 430514: Self-comp. valve 53 l/h VIOLET (14 GPH).
- Ref. 430517: Self-comp. valve 64 l/h GREEN (17 GPH).
- Ref. 430520: Self-comp. valve 76 l/h YELLOW (20 GPH).
- Ref. 430525: Self-comp. valve 95 l/h RED (25 GPH).

TABLES & PARTS

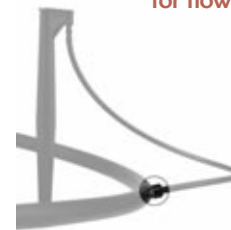
Número máximo de microaspersores en lateral Maximum number of micro-sprinklers							
Modelo Model	Diámetro tubería Pipe diameter (mm)	Separación de microaspersores* Spacing between micro-sprinklers (m)					
		2	3	4	5	6	7
Gris / Grey 30L	16	25	21	19	17	16	13
	20	41	36	33	30	28	27
	25	58	52	47	46	42	38
Blanco / White 40L	16	22	18	16	16	13	12
	20	34	30	27	25	23	22
	25	49	43	39	36	34	32
Marrón / Brown 50L	16	18	16	13	12	11	11
	20	30	26	23	22	20	19
	25	43	39	34	31	29	28
Azul / Blue 60L	16	15	13	12	11	10	9
	20	26	23	21	19	18	17
	25	38	33	30	28	26	24
Negro / Black 70L	16	14	11	10	9	8	8
	20	23	20	18	16	15	14
	25	33	29	26	24	22	21
Verde / Green 80L	16	11	10	9	8	7	7
	20	20	17	16	14	13	12
	25	29	25	23	21	20	20
Rojo / Red 100L	16	10	8	7	7	6	6
	20	18	15	14	12	11	11
	25	26	22	20	18	17	16
Amarillo / Yellow 120L	16	7	8	8	7	7	6
	20	14	14	13	12	12	11
	25	21	20	19	17	16	15
Violeta / Violet 160L	16	6	5	4	4	3	3
	20	11	9	8	8	7	7
	25	17	14	12	11	11	10

*Presión de entrada 2 bar / Inlet pressure 2 bar

Ecuación característica Discharge equation $q = k \cdot h^x$	
Modelo Model	q (l/h) - h (mca)
Gris / Grey 30L	$q = 6.75 \cdot h^{0.51}$
Blanco / White 40L	$q = 8.17 \cdot h^{0.53}$
Marrón / Brown 50L	$q = 9.48 \cdot h^{0.54}$
Azul / Blue 60L	$q = 11.50 \cdot h^{0.53}$
Negro / Black 70L	$q = 13.44 \cdot h^{0.54}$
Verde / Green 80L	$q = 16.13 \cdot h^{0.54}$
Rojo / Red 100L	$q = 18.44 \cdot h^{0.55}$
Amarillo / Yellow 120L	$q = 21.54 \cdot h^{0.55}$
Violeta / Violet 160L	$q = 31.50 \cdot h^{0.55}$



Presión Pressure (bar)	Caudal / Flow (l/h)									
	Gris Grey 30L	Blanco White 40L	Marrón Brown 50L	Azul Blue 60L	Negro Black 70L	Verde Green 80L	Rojo Red 100L	Amarillo Yellow 120L	Violeta Violet 160L	
1.5	27	35	41	49	60	70	83	109	140	
2.0	31	40	48	57	69	81	97	127	164	



				Diámetro mojado / Wetted diameter (m)					
Boquilla / Nozzle				Bailarinas / Swivels				Difusor / Sprayer	
Modelo Model	Orificio boquilla Nozzle size (mm)	Presión Pressure (bar)	Caudal Flow (l/h)	Largo Alcance*	Corto Alcance*	Con deflector*	Invertida** Upside Down		Nebulizador Mist sprayer
				Long range	Short range	Stream deflector	0.60 (m)	1.50	
Gris / Grey 30L	0.80	1.5	27	5.5	3.5	0.90	5.5	6.5	1.0
		2.0	31	5.5	3.5	1.80	5.5	6.5	1.0
Blanco / White 40L	0.90	1.5	35	6.0	3.5	1.20	6.0	6.5	1.1
		2.0	40	6.0	4.0	1.80	6.0	6.5	1.1
Marrón / Brown 50L	1.00	1.5	41	6.5	3.5	1.20	6.5	6.5	1.2
		2.0	48	6.5	4.0	1.80	6.5	6.5	1.2
Azul / Blue 60L	1.10	1.5	49	7.0	4.0	1.20	6.5	7.0	1.2
		2.0	57	8.0	4.0	1.80	6.5	7.5	1.2
Negro / Black 70L	1.20	1.5	60	7.5	4.0	1.20	6.5	7.0	1.3
		2.0	69	8.0	4.5	1.80	6.5	8.0	1.3
Verde / Green 80L	1.30	1.5	70	8.0	4.0	1.20	6.5	8.5	1.4
		2.0	81	8.5	4.5	1.80	6.5	8.5	1.4
Rojo / Red 100L	1.40	1.5	83	8.0	4.5	1.20	6.5	8.5	NR
		2.0	97	9.5	4.5	1.80	6.5	8.5	NR
Amarillo / Yellow 120L	1.65	1.5	109	8.5	5.0	1.65	6.5	8.5	NR
		2.0	127	9.5	5.5	1.80	8.0	9.0	NR
Violeta / Violet 160L	1.90	1.5	140	8.5	5.0	NR	7.0	8.5	NR
		2.0	164	9.0	6.0	NR	8.0	9.0	NR

ISO 7749 – ISO 15886 / ISO 7749 – ISO 15886 Standard.

VYR-3100 Mini-Spinner



VYR-3100 MINI-SPINNER · Full circle AG

GENERAL PROPERTIES:

- Riser-mounted rotating sprinkler for gardening, agriculture, floriculture and greenhouses.
- 1/2" male connection.
- Made of chrome-plated Zamac and copper.
- Steel and rubber rotating joints.
- Rotating diffuser and deflector.
- This sprinkler is strong and durable enough to work for many years in urban gardens in tough conditions, caused by vandalism and impact from maintenance equipment.

TECHNICAL SPECIFICATIONS:

- Range distance: 0.4 - 8.5 m (1.3 - 28 ft.).
- Flow: 90 - 318 L/H / 24 - 84 GPH. Auto-compensated OPTIONAL!
- Working pressure: 17 - 44 PSI (1.2 - 4 BAR).
- Nozzle: Colour-coded from -8° to +25°. ADJUSTABLE!
- Maximum height of waterjet: 2.7 m (9 ft.).

APPLICATIONS:

- This low-flow rotator sprinkler is suitable for irrigation in areas with low pressure and flow. Its long range "wind-fighter" design means that the spacing between sprinklers can be up to 8 m (28 ft.).

MEASUREMENTS:

- Height: 6,5 cm / 2,6 in.
- Width: 8,0 cm / 3,1 in.
- Weight: 24 g / 0,05 Lbs
- Units per box: 200

OPTIONS:

- Threads in BSP or NPT under demand.
- Self-compensating flow control valves of 29 - 73 PSI (2-5 BAR).
- Assembled on a "AGRO-STAND kit" on a 1,3 m galvanized stake with microtube and connectors.

MODELS:

- **Ref. 003100:** Full-circle Micro-Rotaplus 1/2" M

For proper operation and uniformity coefficient of the irrigation using self-compensating membranes on "Agro-Stand" base is recommended, or fix pressure regulators.

TABLES & PARTS

Technical guidance table VYR-3100 Mini-Spinner / 25°

NOZZLE	Spacing (m) / Precipit. rate (mm/h) Spacing (ft) / Precipit. rate (in/h)					
	BAR PSI	L/H GPH	R- m R- ft	6x6 20x20	7x7 23x23	8x8 26x26
@25°	2	90	7	1,9	1,4	1,1
	29	24	23	0,07	0,06	0,04
	2,5	114	8	2,5	1,8	1,4
	36	30	26,2	0,11	0,07	0,06
	3	116	8	2,7	2	1,5
@25°	44	31	26,2	0,11	0,08	0,06
	2	130	7,5	2,4	1,7	1,2
	29	34	24,6	0,09	0,07	0,05
	2,5	144	8	2,7	2	1,5
	36	38	26,2	0,11	0,08	0,06
@25°	3	157	8	3	2,3	1,8
	44	41	26,2	0,12	0,09	0,07
	2	126	8	2,8	2	1,6
	29	33	26,2	0,11	0,08	0,06
	2,5	156	8,5	3,6	2,7	2
@25°	36	41	26,2	0,14	0,11	0,08
	3	174	9	3,7	2,7	2,1
	44	46	28	0,15	0,11	0,08
	2	193	8	3,6	2,8	2,3
	29	51	26,2	0,14	0,11	0,9
@25°	2,5	210	8	4	3,2	2,7
	36	55	26,2	0,16	0,13	0,11
	3	230	8,5	4,4	3,6	3,1
	44	61	28	0,17	0,14	0,12
	2	233	8	4,1	2,9	2,1
@25°	29	62	26,2	0,16	0,11	0,8
	2,5	260	8,5	4,5	3,3	2,5
	36	69	28	0,18	0,13	0,10
	3	293	8,5	4,9	3,7	2,9
	44	77	28	0,19	0,15	0,11
@25°	2	234	8,5	6,6	4,8	3,7
	29	62	28	0,26	0,19	0,15
	2,5	276	9	7,5	5,5	4,2
	36	73	29,5	0,30	0,22	0,17
	3	318	9	8,5	6,3	4,8
@25°	44	84	29,5	0,33	0,25	0,19

Standard R: Raage distance

CU < 85% CU 85-88% CU 88-92% CU > 92%



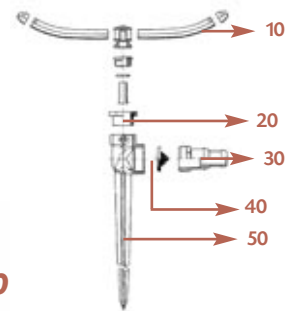
VYR-868 & VYR-968



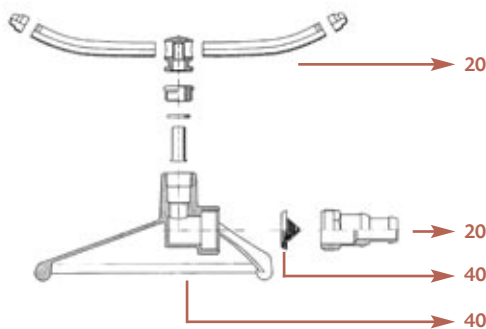
3/8" Ref. 086800
3/4" H



Ref. 486802



Ref. 096810



VYR-868 & VYR-968 · Rotative Overhead Sprinklers

GENERAL PROPERTIES:

- Three-arm rotating sprinkler for gardening, agriculture, floriculture and greenhouses.
- Connection of the 3/8" male rotating head, and connection of the spike with a 15 and 20 mm hose coupling.
- Sprinkler made of chrome-plated brass, and there are three models for the spike: plastic, aluminium and brass.
- Rubber rotating joints.
- Three rotating perforated arms and spray sprinklers.
- Anti-sand filter.
- This sprinkler is strong and durable enough to work for many years in urban gardens in tough conditions, caused by vandalism and impact from maintenance equipment.

TECHNICAL SPECIFICATIONS:

- Reach: 4 - 7 m
- Flow: 960 - 1.320 L/H / 250 - 350 GPH.
- Working pressure: 0.5 - 3.5 BAR / 7 - 50 PSI.
- Area: Circular.
- Nozzles: A multi-jet nozzle.
- Maximum stream height: 2 m
- Rotation time: Irregular
- Uniformity coefficient higher than 90% in areas of 5x5R, 6x6T, 6x7T.

APPLICATIONS:

- Public and private gardens.
- Horticultural plantation.

MEASUREMENTS:

- Width: 12 cm
- Sprinkler height: 13 cm
- Weight: 220 g
- Units per box: 10



OPTIONS:

- Adapter with reduction for 1/2" male.
- Assembled as a "complete support kit" on an aluminium base.
- Assembled as a "complete support kit" on a 1.3 or 0.7 m galvanized stake with microtube and connectors.
- Assembled as a "complete support kit" on a 1.3 or 0.7 m galvanized stake with microtube and connectors.

MODELS:

- Ref. 086800: Sprinkler + triangular base.
- Ref. 486804: 3 arm sprinkler.
- Ref. 096800: Sprinkler + brass spike.
- Ref. 096810: Sprinkler + aluminium spike.
- Ref. 096820: Sprinkler + plastic spike.
- Ref. 486820: Reduced nut adapter 3/8" to 1/2"
- Ref. 486802: Rubber gasquet & conical filter.

NOZZLE	Spacing (m) / Precipit. rate (mm/h)							
	BAR PSI	L/H GPH	R- m Ø ft	4x4 T 13x13	4x4 R 13x13T	6x6 T 20X20	6x6 R 20X20T	8x8 T 26X26T
	1	960	7	52	60	23	27	13
	15	253	23	2,05	2,35	0,90	1,05	0,50
	2	1320	7	71	82	32	37	18
	29	348	23	2,80	3,20	1,25	1,45	0,70

R: Range Distance

VYR-59 Mercedes

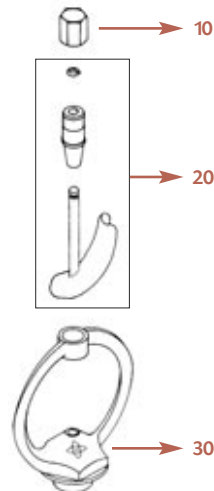
Ref. 005900



Ref. 005910



Ref. 486802



VYR-59 · Rotative Overhead Sprinklers

GENERAL PROPERTIES:

- Riser-mounted rotating sprinkler for gardening, agriculture, floriculture and greenhouses.
- 1/2" male connection.
- Made of chrome-plated Zamac and brass.
- Rubber rotating joints.
- Rotating diffuser and deflector.
- This sprinkler is strong and durable enough to work for many years in urban gardens in tough conditions, caused by vandalism and impact from maintenance equipment.

TECHNICAL SPECIFICATIONS:

- Reach: 4 - 7 m / 13 - 23 ft.
- Flow: 900 - 1200 L/H. / 240 - 320 GPH.
- Working pressure: 0,5 - 3,5 BAR / 7 - 50 PSI.
- Area: Circular.
- Nozzles: One nozzle.
- Trajectory angles: 38°
- Maximum stream height: 2.5 m / 8 ft.
- Rotation time: Irregular.
- Uniformity coefficient higher than 90% in areas of 10x10R, 12x12T, 12x13T (meters).

APPLICATIONS:

- Public and private gardens.
- Horticultural plantations, floriculture and fruit trees.
- Also for other industrial uses (cleaning out troughs and tankers) or with livestock (irrigation for pig farms to add moisture and lower the temperature).

MEASUREMENTS:

- Width: 10 cm
- Sprinkler height: 9 cm
- Weight: 144 g
- Units per box: 150

OPTIONS:

- Assembled as a "complete support kit" on a brass, aluminium or plastic spike.
- Assembled as a "complete support kit" on an aluminium base.
- Assembled as a "complete support kit" on a 1.3 or 0.7 m galvanized stake with microtube and connectors.

MODELS:

- Ref. 005900: Standard cromed sprinkler VYR-59.
- Ref. 005910: VYR-59 cromed + rounded base.
- Ref. 486802: Rubber gasquet & conical filter.

NOZZLE	Spacing (m) / Precipit. rate (mm/h) Spacing (ft) / Precipit. rate (in/h)								
	BAR PSI	L/H GPH	R m R- ft	4x4 T 13x13	4x4 R 13x13T	6x6 T 20X20	6x6 R 20X20T	8x8 T 26X26T	
1	900	238	7	65	56	29	25	16	
15	238	23	23	2,50	2,20	1,15	1,00	0,65	
2	1200	7	7	86	75	38	33	22	
29	317	23	23	3,40	2,95	1,50	1,30	0,90	

R: Range Distance

VYR-3250



Ref. 003250

Ref. 103251

Ref. 103271

1/2"

VYR-3250 · Full circle AG

GENERAL PROPERTIES:

- Riser-mounted 1/2" male connection.
- Made of Delrin plastic.
- High-resistance rotating joints.
- Colour-coded bayonet nozzles.
- Arc: 360° and 180°

TECHNICAL SPECIFICATIONS:

- Range distance: 8 - 12 m / 26-40 ft.
- Flow: 350 - 900 L/H/92-240 GPH. Self-compensated is OPTIONAL!
- Working pressure: 1,2 - 3 BAR / 17-44 PSI.
- Nozzle: Colour-coded at 25°, and low angle for 10° and 14°
- Maximun height of waterjet: 2,7 m / 9 ft.

APPLICATIONS:

- This low-flow rotative sprinkler is suitable for irrigation in areas with low pressure and flow. Its long range "wind fighter" design means that the spacing between sprinklers can be up to 12 m.

MEASUREMENTS:

- Height: 11,5 cm / 4,5 in.
- Width: 5 cm / 2 in.
- Weight: 55 g / 0,12 Lbs.
- Units per box: 100

OPTIONS:

- Threads in BSP or NPT under demand.
- 180° degree deflector.
- Self-compensating flow control valves of 2-5 BAR.
- Assembled on a "AGRO-STAND kit" on a 1.3 m galvanized stake with microtube and connectors.

MODELS:

- Ref. 003250: Full-circle Rotator 1/2" M - 25°
- Ref. 003264: Full-circle Rotator 1/2" M - 14°
- Ref. 003260: Full-circle Rotator 1/2" M - 10°
- Ref. 103271: Deflector 180°
- Ref. 103251: Kit sprinkler 25° + deflector 180°

Ref. 103250: Rotator 25° + Agro-Stand.

Ref. 103254: Rotator 14° + Agro-Stand.

Ref. 103255: Rotator 10° + Agro-Stand.



TABLES & PARTS

Technical guidance table VYR-3250 (25°)

NOZZLE	Spacing (m) / Precipit. rate (mm/h) Spacing (ft) / Precipit. rate (in/h)								
	BAR PSI	L/H GPH	R- m R- ft	9x9 30x30	9x10 30x33	9x12 30x39	10x10 33x33	10x12 33x39	12x12 39x39
	2,5	360	8,5	4,4	4	3,3	3,6	3	2,5
	36	95	28	0,17	0,16	0,13	0,14	0,12	0,10
	3	395	9	4,9	4,4	3,7	4	3,3	2,7
	44	104	29,5	0,19	0,17	0,15	0,16	0,13	0,11
	3,5	425	9	5,2	4,7	3,9	4,3	3,5	3
	51	112	29,5	0,20	0,19	0,15	0,17	0,14	0,12
SELF-COMPENSAT.	2,5 - 5	360	8,5	4,6	4	3,3	3,6	3	2,6
	36-73	95	28	0,18	0,16	0,13	0,14	0,12	0,10
	2,5	450	9,5	5,6	5	4,2	4,5	3,8	3,1
	36	119	31,2	0,22	0,20	0,17	0,18	0,15	0,12
	3	495	9,5	6,1	5,5	4,6	5	4,1	3,4
	44	131	31,2	0,24	0,22	0,18	0,20	0,16	0,13
	3,5	530	10	6,5	5,9	4,9	5,3	4,4	3,7
	51	140	32,8	0,26	0,23	0,19	0,21	0,17	0,15
SELF-COMPENSAT.	2,5 - 5	450	9,5	5,7	5,1	4,2	4,6	3,8	3,1
	36-73	119	31,2	0,22	0,20	0,17	0,18	0,15	0,12
	2,5	550	10,5	6,8	6,1	5,1	5,5	4,6	3,8
	36	145	34,4	0,27	0,24	0,20	0,22	0,18	0,15
	3	600	11	7,4	6,7	5,6	6	5	4,2
	44	158	36,1	0,29	0,26	0,22	0,24	0,20	0,17
	3,5	650	11	8	7,2	6	6,5	5,4	4,5
	51	172	36,1	0,31	0,28	0,24	0,26	0,21	0,18
SELF-COMPENSAT.	2,5 - 5	550	10,5	6,9	6	5,2	5,6	4,6	3,8
	36-73	145	34,4	0,27	0,24	0,20	0,22	0,18	0,15
	2,5	670	11,5	7,9	7,1	5,9	6,4	5,3	4,4
	36	177	37,7	0,31	0,28	0,23	0,25	0,21	0,17
	3	710	11,5	8,7	7,8	6,5	7	5,9	4,9
	44	187	37,7	0,34	0,31	0,26	0,28	0,23	0,19
	3,5	770	12	9,4	8,5	7,1	7,6	6,4	5,3
	51	203	39,4	0,37	0,33	0,28	0,30	0,25	0,21
SELF-COMPENSAT.	2,5 - 5	670	11,5	8,4	7,1	6	6,5	5,4	4,5
	36-73	177	37,7	0,33	0,28	0,24	0,26	0,21	0,18
	2,5	320	8						
	36	84	26,2						
	3	350	8						
	44	92	26,2						
	3,5	380	8						
	51	100	26,2						
SELF-COMPENSAT.	2,5 - 5	320	8						
	36-73	84	26,2						

BROWN NOZZLE:
Only for sides 180°

CU < 85% CU 85-88% CU 88-92% CU > 92%

R: Range Distance

- Sprinklers will be supplied with standard nozzles unless otherwise specified.
- These results has been obtained at indoor laboratory with 0 m/seg win velocity. Outdoor results may change range distances.



Triple Spike Stand
1/2" M



Self-compensate
valve



Ref. 003260



Ref. 003264

VYR-4000 LA Rotec 8° & 12°



VYR-4000 LA ROTEC · Full circle AG and Low Angle

GENERAL PROPERTIES:

- Rotational 1/2" Silicon Brake Sprinkler with male connection.
- Made of Delrin plastic.
- High strength rotating joints.
- Nozzles in codes of different colors.
- Irrigation bow: 360°
- Brake technology with silicone.

TECHNICAL SPECIFICATIONS:

- Range: 7 - 9 m / 23 - 30 ft.
- Flow: 216 - 678 L/H / 57 - 179 GPH . Optional auto compensation!
- Working pressure: 1,2 - 3 BAR / 17 - 44 PSI.
- Nozzles: Bayonet with codes of different colors.
- Nozzle angle: 8° or 12°.
- Maximum jet height: 2,7 m / 9 ft.

APLICACIONES:

- This low flow sprinkler is ideal for irrigation in areas with low pressure and flow. Its long-range design "wind cutter" makes the spacing between sprinklers can be up to 8 m.

MEASUREMENTS :

- Height: 9,5 cm / 3,7 in.
- Width: 6,5 cm / 2,6 in.
- Weight: 75 g / 0,16 Lbs.
- Units per box: 50

OPTIONS:

- 2.5 BAR / 36 PSI self-compensating flow control valves.
- Mounted in "Agro-Stand" on 1.3 m galvanized stake with microtube and connectors.

MODELS:

Ref. 040000: Body ROTEC black motor (slow).

Ref. 040001: Body ROTEC grey motor (fast).

Ref. 440009: Deflector 180°

Ref. 440020LA: Nozzle 1/2" LIME of 2,0 mm

Ref. 440024LA: Nozzle 1/2" ROSE of 2,4 mm

Ref. 440028LA: Nozzle 1/2" YELLOW of 2,8 mm

Ref. 440032LA: Nozzle 1/2" LAVANDER of 3,2 mm

Ref. 440108LA: Plate GREY of 8°

Ref. 440112LA: Plate YELLOW of 12°

Ref. 440208LA: Plate BLUE de 8° (Rain Courtaïne)

Ref. 440212LA: Plate ORANGE of 12° (Rain Courtaïne)

Para un correcto funcionamiento y un riego uniforme se recomienda el uso de membranas auto-compensantes en base porta-aspersor "Agro-Stand", o reguladores de presión en los diferentes ramales de aspersión.

TABLES & PARTS

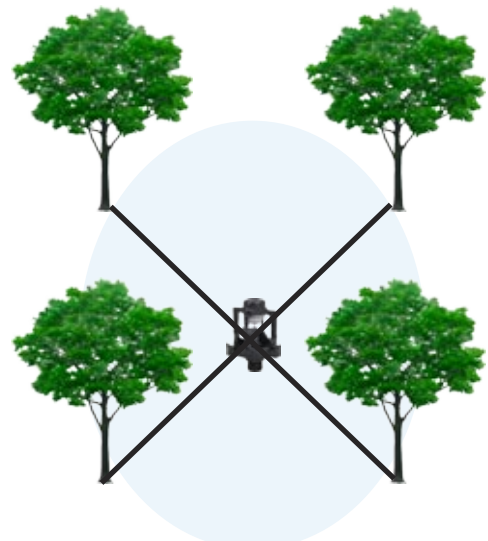
Technical guidance table VYR-4000 LA 12°

NOZZLE	Spacing (m) / Precipit. rate (mm/h)					
	BAR PSI	4x4 T		6x6 T		8x8 T
		32x39 T	4x4R 39x39	39x39 T	6x6 R 39x49	8x8 T 39x49 T
2,0 mm 5/64"	2	15,6	13,5	6,9	6	3,9
	29	0,61	0,53	0,27	0,24	0,15
YELLOW 12°	2,5	17,3	15	7,7	6,7	4,3
	36	0,68	0,59	0,30	0,26	0,17
2,4 mm 3/32"	3	19,1	16,5	8,4	7,3	4,7
	44	0,75	0,65	0,33	0,29	0,19
YELLOW 12°	2	22,5	19,5	10	8,7	5,7
	29	0,89	0,77	0,39	0,34	0,22
3,2 mm 17/128"	2,5	25,1	21,8	11,2	9,7	6,3
	36	0,99	0,86	0,44	0,38	0,25
YELLOW 12°	3	27,7	24	12,4	10,7	6,9
	44	1,10	0,94	0,49	0,42	0,27
2,8 mm 15/128"	2	30,7	26,6	13,6	11,8	7,7
	29	1,20	1,05	0,54	0,46	0,30
YELLOW 12°	2,5	34,2	29,6	15,2	13,2	8,6
	36	1,35	1,17	0,60	0,52	0,34
3,2 mm 17/128"	3	37,6	32,6	16,7	14,5	9,5
	44	1,50	1,28	0,66	0,57	0,37
YELLOW 12°	2	39,8	34,5	17,7	15,3	9,9
	29	1,60	1,36	0,70	0,60	0,39
3,2 mm 17/128"	2,5	44,2	38,3	19,6	17	11
	36	1,75	1,51	0,77	0,67	0,43
YELLOW 12°	3	49	42,4	21,7	18,8	12,2
	44	1,95	1,67	0,85	0,74	0,48



Technical guidance table VYR-4000 LA 8°

NOZZLE	Spacing (m) / Precipit. rate (mm/h)					
	BAR PSI	4x4 T		6x6 T		8x8 T
		32x39 T	4x4R 39x39	39x39 T	6x6 R 39x49	8x8 T 39x49 T
2,0 mm 5/64"	2	15,6	13,5	6,9	6	3,9
	29	0,61	0,53	0,27	0,24	0,15
GREY 8°	2,5	17,3	15	7,7	6,7	4,3
	36	0,68	0,59	0,30	0,26	0,17
GREY 8°	3	19,1	16,5	8,4	7,3	4,7
	44	0,75	0,65	0,33	0,29	0,19
2,4 mm 3/32"	2	22,5	19,5	10	8,7	5,7
	29	0,89	0,77	0,39	0,34	0,22
GREY 8°	2,5	25,1	21,8	11,2	9,7	6,3
	36	0,99	0,86	0,44	0,38	0,25
GREY 8°	3	27,7	24	12,4	10,7	6,9
	44	1,10	0,94	0,49	0,42	0,27
2,8 mm 15/128"	2	30,7	26,6	13,6	11,8	7,7
	29	1,20	1,05	0,54	0,46	0,30
GREY 8°	2,5	34,2	29,6	15,2	13,2	8,6
	36	1,35	1,17	0,60	0,52	0,34
GREY 8°	3	37,6	32,6	16,7	14,5	9,5
	44	1,50	1,28	0,66	0,57	0,37
3,2 mm 17/128"	2	39,8	34,5	17,7	15,3	9,9
	29	1,60	1,36	0,70	0,60	0,39
GREY 8°	2,5	44,2	38,3	19,6	17	11
	36	1,75	1,51	0,77	0,67	0,43
GREY 8°	3	49	42,4	21,7	18,8	12,2
	44	1,95	1,67	0,85	0,74	0,48



The correct orientation of the 4 columns of the body prevents water damage on the trunk of the tree.

Performance nozzle table

MOTOR	1,8 - 2,5 BAR (GREY)															
	2,5 - 3,5 BAR (BLACK)															
PLATE	12°		8°		12°		8°		12°		8°		12°		8°	
NOZZLE	2,00 mm 5/64"				2,40 mm 3/32"				2,80 mm 15/128"				3,20 mm 17/128"			
BAR PSI	L/H GPH	R-m R-ft	L/H GPH	R-m R-ft	L/H GPH	R-m R-ft	L/H GPH	R-m R-ft	L/H GPH	R-m R-ft	L/H GPH	R-m R-ft	L/H GPH	R-m R-ft	L/H GPH	R-m R-ft
2	216	7	216	7	312	7	312	7	426	8	426	8	552	8	552	8
29	57	23	57	23	82	23	82	23	112	26	112	26	146	26	146	26
2,5	240	7	240	7	348	7	348	7	474	8	474	8	612	8	612	8
36	63	23	63	23	92	23	92	23	125	26	125	26	162	26	162	26
3	264	8	264	7	384	8	384	8	522	9	522	8	678	9	678	9
44	70	26	70	23	101	26	101	26	138	30	138	26	179	30	179	30

R: Range Distance

VYR-16



VYR-16 · Full circle AG

GENERAL PROPERTIES:

- Riser-mounted low flow sprinkler.
- 1/2" male connection.
- Made of plastic and stainless steel.
- High-resistance rotating joints.
- Adjustable spring tension system to vary the rotation speed depending on the pressure.
- Variable multifunction arm so the same sprinkler can be used as a medium angle model (26° main and 8° secondary), or as a low angle model (8° main and 26° secondary). (PATENT PENDING).

TECHNICAL SPECIFICATIONS:

- Range distance: 8 - 12 m / 26 - 40 ft.
- Flow: 168 - 740 L/H / 44 - 195 GPH
- Working pressure: 1,5 - 3,5 BAR / 22 - 50 PSI.
- Area: Full circle.
- Nozzles: Two nozzles, one long range (2 - 3.6 mm) and one short range (2.5 - 3 mm) (2.4 x 2.5 mm standard).
- Colour-coded "click" bayonet nozzles.
- Trajectory angles: 26° and 8°.
- Maximum height of waterjet: 2.8 m and 1 m (low angle).
- Rotation time: Depending on the pressure and the nozzles, the rotation will be constant and continuous (adjustable).
- Uniformity coefficient higher than 90% in areas of 8x8R, 8x10T (m.)

APPLICATIONS:

- Low flow plantations such as cotton. Ideal, given its low angle, for the irrigation of banana trees and other similar fruit trees.

MEASUREMENTS:

- Height: 11 cm / 4,3 in.
- Width: 13 cm / 5,1 in.
- Weight: 52 g / 0,11 Lbs
- Units per box: 300

OPTIONS:

- Threads in BSP or NPT under demand.
- Standard or low angle assembly, as requested in the order.
- Self-compensating flow control valves of 2 - 5 BAR (29-73 PSI).
- Assembled as a "Agro-Stand" on a 1.3 m galvanized stake with microtube and connectors.

MODELS:

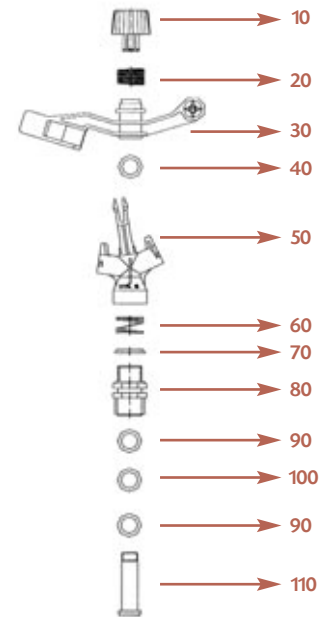
- Ref. 001600:** Standard angle.
- Ref. 001610:** Low angle.
- Ref. 101600:** Standard angle + Agro-Stand.
- Ref. 101610:** Low angle + Agro-Stand.

TABLES & PARTS

Technical guidance table VYR-16

NOZZLE	BAR PSI	Spacing (m) / Precipit. rate (mm/h) Spacing (ft) / Precipit. rate (in/h)					
		9x9 30x30	9x9 T 30x30 T	9x10 30x33	10x10 T 33x33 T	10x12 T 33x39 T	12x12 39x39
2,4 x 2,6 mm 3/32" x 3/32"	2	8	7,4	7,2	6	4,5	4,5
	29	0,31	0,29	0,28	0,24	0,18	0,18
	2,5	9	8,3	8,1	6,7	5	5,1
	36	0,35	0,33	0,32	0,26	0,20	0,20
3 x 2,4 mm 1/8" x 3/32"	3	9,9	9,1	8,9	7,4	5,5	5,5
	44	0,39	0,36	0,35	0,29	0,22	0,22
	2	10,2	9,4	9,2	7,6	5,7	5,8
	29	0,40	0,37	0,36	0,30	0,22	0,23
3,2 x 2,6 mm 17/128" x 7/64"	2,5	11,4	10,6	10,3	8,6	6,3	6,4
	36	0,45	0,42	0,4	0,34	0,25	0,25
	3	12,5	11,6	11,3	9,4	6,9	7
	44	0,49	0,46	0,44	0,37	0,27	0,28
3,2 x 2,6 mm 17/128" x 7/64"	2	10,7	9,9	9,7	8	5,9	6
	29	0,42	0,39	0,38	0,31	0,23	0,24
	2,5	12	11,1	10,8	9	6,6	6,8
	36	0,47	0,44	0,43	0,35	0,26	0,27
3,2 x 2,6 mm 17/128" x 7/64"	3	13,1	12,1	11,8	9,8	7,3	7,4
	44	0,52	0,48	0,46	0,39	0,29	0,29

T: Triang. CU < 85% CU 85-88% CU 88-92% CU > 92%



Performance nozzle table VYR-16

NOZZLE	1,8 mm 1/16"		2 mm 5/64"		2,5 mm 3/32"		2,6 mm 7/64"		2,8 mm 15/128"		3 mm 1/8"		3,2 mm 17/128"		3,6 mm 9/64"		
	BAR PSI	L/H GPH	Ø m Ø ft	L/H GPH	Ø m Ø ft	L/H GPH	Ø m Ø ft	L/H GPH	Ø m Ø ft	L/H GPH	Ø m Ø ft	L/H GPH	Ø m Ø ft	L/H GPH	Ø m Ø ft	L/H GPH	Ø m Ø ft
1,5	22	95	18	168	21	285	21	297	21	320	21	370	21,5	425	22	480	22,2
	29	25	59	44	69	75	69	75	69	85	69	98	71	112	72	127	73
2	29	100	18,5	195	21,5	345	21,5	356	21,5	380	21,5	430	22	490	22,5	558	22,6
	36	26	61	52	71	91	71	94	71	100	71	114	72	129	74	147	74
2,5	36	105	19	219	22	380	22	390	21,5	435	22	485	22	550	22,5	620	22,9
	44	28	62	58	72	100	72	103	71	115	72	128	72	145	74	164	75
3	44	115	19,5	237	22,5	395	22,5	407	22,5	475	22,5	525	22,5	600	23	680	23,5
	51	30	64	63	74	104	74	108	74	125	74	139	74	159	75	180	77
3,5	51	125	19,5	250	22,5	404	22,5	413	22,5	520	22,5	570	22,5	650	23	740	23,5
	51	33	64	66	74	107	74	109	74	137	74	151	74	172	75	195	75

Only as tail nozzle

Standard Ø: Diameter range

- Sprinklers will be supplied with standard nozzles unless otherwise specified.
- These results has benn obtained at indoor laboratory with 0 m/seg win velocity. Outdoor results may change range distances.



EASY LOW-ANGLE/STANDARD-ANGLE CONVERSION

- Pop-up the spring
- Invert the spoon direction
- Pop-down and adjust pressure

VYR-26



VYR-26 · Full circle AG

GENERAL PROPERTIES:

- Riser-mounted low flow sprinkler.
- 1/2" male connection.
- Made of plastic and stainless steel.
- High-resistance rotating joints.
- Quick-coupling bayonet nozzles, color-coded for easy identification.
- GERMINATION models.
- Three different positions for spring tension.

TECHNICAL SPECIFICATIONS:

- Range distance: 8 - 12 m / 26 - 40 ft.
- Flow: 157 - 1249 L/H / 42 - 330 GPH.
- Working pressure: 1,5 - 3,5 BAR / 22 - 50 PSI.
- Area: Full circle.
- Nozzles: Two nozzles, one long range and the other short range (2.5 x 2.5 mm standard).
- Trajectory angles: 26° and 18°
- Maximum height of waterjet: 3 m / 9,8 ft.
- Rotation time: Depending on the pressure and the nozzles, the rotation will be constant and continuous (adjustable).
- Coeficiente de Uniformidad superior al 90% en marcos de 10x10R y 12x10T (meters).

APPLICATIONS:

- Low flow irrigation such as cotton, vegetables, floriculture, strawberry plants, etc.

MEASUREMENTS:

- Height: 12 cm / 4,7 in.
- Width: 12 cm / 4,7 in.
- Weight: 51 g / 0,11 Lbs.
- Units per box: 300

OPTIONS:

- Threads in BSP or NPT under demand.
- Self-compensating flow control valves of 1.5 and 2 BAR
- Spring protection cap.
- Device with "part circle click" connection to the secondary nozzle to turn this model into a part circle sprinkler.
- Assembled as a "complete support kit" on a 1.3 m galvanized stake with microtube and connectors.

MODELS:

- Ref. 002600: Full circle.
- Ref. 002610: VYR-26 with Anti-frost cap.
- Ref. 002620: Full circle, GERMINATION.
- Ref. 002625: Full circle with Anti-frost cap, GERMINATION.
- Ref. 102660: Nozzle tool.

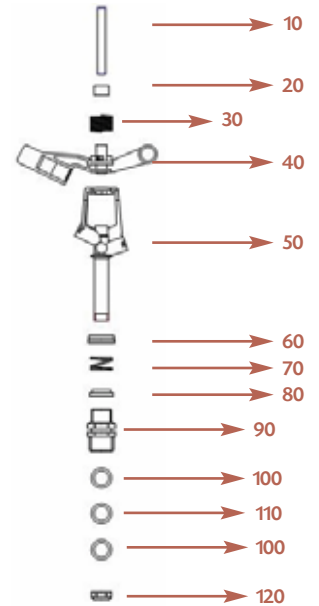


TABLES & PARTS

Technical guidance table VYR-26

NOZZLE	Spacing (m) / Precipit. rate (mm/h) Spacing (ft) / Precipit. rate (in/h)								
	BAR PSI	10x10 33x33	10x10 T 33x33 T	10x12 39x33	12x12 39x39	12x12 T 39x39 T	12x14 46x39	14x14 46x46	14x14 T 46x46 T
2,8 x 1,6 mm 7/64" x 1/16"	2	6,8	6,8	5,7	4,7	4,7	4	3,4	3,4
	29	0,27	0,27	0,22	0,19	0,19	0,16	0,13	0,13
	3	7,4	7,4	6,1	5,1	5,1	4,3	3,7	3,7
	44	0,29	0,29	0,24	0,20	0,20	0,17	0,15	0,15
3 x 1,6 mm 1/8" x 1/16"	4	8	8	6,6	5,5	5,5	4,7	4	4
	58	0,31	0,31	0,26	0,22	0,22	0,19	0,16	0,16
	2	7,5	7,5	6,2	5,2	5,2	4,4	3,8	3,8
	29	0,30	0,30	0,24	0,20	0,20	0,17	0,15	0,15
3,2 x 2,4 mm 17/128" x 3/32"	3	8,3	8,3	6,6	5,6	5,6	4,8	4,1	4,1
	44	0,33	0,33	0,26	0,22	0,22	0,19	0,16	0,16
	4	8,8	8,8	7	6,1	6,1	5,2	4,4	4,4
	58	0,35	0,35	0,28	0,24	0,24	0,20	0,17	0,17
3,6 x 2,4 mm 9/64" x 3/32"	2	8,1	8,1	6,7	5,6	5,6	4,8	4,1	4,1
	29	0,32	0,32	0,26	0,22	0,22	0,19	0,16	0,16
	4	8,8	8,8	7,3	6,1	6,1	5,2	4,4	4,4
	44	0,35	0,35	0,29	0,24	0,24	0,20	0,17	0,17
4 x 2,4 mm 5/32" x 3/32"	4	9,6	9,6	8	6,5	6,5	5,6	4,8	4,8
	58	0,38	0,38	0,31	0,26	0,26	0,22	0,19	0,19
	2	10	10	8,6	7,2	7,2	6,1	5,2	5,2
	29	0,39	0,39	0,34	0,28	0,28	0,24	0,20	0,20
5/32" x 3/32"	3	11	11	9,5	7,8	7,8	6,5	5,5	5,5
	44	0,43	0,43	0,37	0,31	0,31	0,26	0,22	0,22
	4	11	11	10	8,3	8,3	7	5,9	5,9
	58	0,43	0,43	0,39	0,33	0,33	0,28	0,23	0,23
5/32" x 3/32"	2	12	12	10,2	8,5	8,5	7,2	6,2	6,2
	29	0,47	0,47	0,40	0,33	0,33	0,28	0,24	0,24
	3	13	13	11,1	9,3	9,3	7,8	6,6	6,6
	44	0,51	0,51	0,44	0,37	0,37	0,31	0,26	0,26
5/32" x 3/32"	4	13	13	11,9	10	10	8,4	7,1	7,1
	58	0,51	0,51	0,47	0,39	0,39	0,33	0,28	0,28

T: Triang. CU < 85% CU 85-88% CU 88-92% CU > 92%



NOZZLE	Spacing (m) / Precipit. rate (mm/h) Spacing (ft) / Precipit. rate (in/h)								
	BAR PSI	10x10 33x33	10x10 T 33x33 T	10x12 39x33	12x12 39x39	12x12 T 39x39 T	12x14 46x39	14x14 46x46	14x14 T 46x46 T
2,4 x 1,6 mm 3/32" x 1/16"	2,5	5,3	5,3	4,4	3,7	3,7	3,2	2,7	2,7
	36,3	0,21	0,21	0,17	0,15	0,15	0,13	0,11	0,11
	3	6,1	6,1	5,1	4,2	4,2	3,6	3,1	3,1
	43,5	0,24	0,24	0,20	0,17	0,17	0,14	0,12	0,12
2,5 x 1,6 mm 13/128" x 1/16"	3,5	6,5	6,5	5,4	4,5	4,5	3,8	3,3	3,3
	50,8	0,26	0,26	0,21	0,18	0,18	0,15	0,13	0,13
	2,5	5,4	5,4	4,5	3,8	3,8	3,2	2,8	2,8
	36,3	0,21	0,21	0,18	0,15	0,15	0,13	0,11	0,11
2,6 x 1,6 mm 3/32" x 1/16"	3	5,9	5,9	4,9	4,1	4,1	3,5	3	3
	43,5	0,23	0,23	0,19	0,16	0,16	0,14	0,12	0,12
	3,5	5,7	5,7	4,8	4	4	3,4	2,9	2,9
	50,8	0,22	0,22	0,19	0,16	0,16	0,13	0,11	0,11
2,6 x 1,6 mm 3/32" x 1/16"	2,5	5,7	5,7	4,9	4,1	4,1	3,5	3	3
	36,3	0,22	0,22	0,19	0,16	0,16	0,14	0,12	0,12
	3	5,9	5,9	5,1	4,2	4,2	3,4	3	3
	43,5	0,23	0,23	0,20	0,17	0,17	0,13	0,12	0,12
2,6 x 1,6 mm 3/32" x 1/16"	3,5	6,2	6,2	5,2	4,3	4,3	3,7	3,2	3,2
	50,8	0,24	0,24	0,20	0,17	0,17	0,15	0,13	0,13

GERMINATION



Tool for quick-coupling bayonet nozzles

Performance nozzle table VYR-26

NOZZLE	1,6 mm 1/16"		2 mm 5/64"		2,4 mm 3/32"		2,5 mm 13/128"		2,6 mm 13/128"		2,5 C mm 13/128"		2,8 mm 7/64"		3 mm 1/8"		3,2 mm 17/128"		3,6 mm 9/64"		4 mm 5/32"	
	BAR PSI	L/H GPH	Ø m Ø ft	L/H GPH	Ø m Ø ft	L/H GPH	Ø m Ø ft	L/H GPH	Ø m Ø ft	L/H GPH	Ø m Ø ft	L/H GPH	Ø m Ø ft	L/H GPH	Ø m Ø ft	L/H GPH	Ø m Ø ft	L/H GPH	Ø m Ø ft	L/H GPH	Ø m Ø ft	L/H GPH
2	100	8	157	10	227	10	245	18	270	18	338	18	433	20	497	20	565	20	716	20	883	20
29	26	26,24	41	32,8	60	32,8	65	59,04	71	59,04	89	59,04	114	65,6	131	65,6	149	65,6	189	65,6	233	65,6
2,5	112	8	176	10	254	10	275	18	303	18	378	18	484	20	556	20	632	20	800	22	988	22
36	30	26,24	46	32,8	67	32,8	73	59,04	80	59,04	100	59,04	128	65,6	147	65,6	167	65,6	211	72,16	261	72,16
3	123	8	193	10	278	10	310	18	336	18	414	20	530	20	609	20	693	20	876	22	1082	22
44	32	26,24	51	32,8	73	32,8	82	59,04	89	59,04	109	65,6	140	65,6	161	65,6	183	65,6	231	72,16	286	72,16
3,5	133	10	208	10	300	12	335	20	376	20	447	20	573	20	657	20	748	20	947	22	1169	22
51	35	32,8	55	32,8	79	39,36	88	65,6	99	65,6	118	65,6	151	65,6	173	65,6	197	65,6	250	72,16	309	72,16
4	142	10	222	10	321	12	365	20	421	20	478	20	612	20	703	20	800	20	1012	22	1249	22
58	37	32,8	59	32,8	85	39,36	96	65,6	111	65,6	126	65,6	162	65,6	186	65,6	211	65,6	267	72,16	330	72,16

Standard Ø: Diameter range

*** Shadow areas must adjust spring to position 2 (more tension).

VYR-802 AG



Ref. 008023



Ref. 008020



Ref. 008025

VYR-802 AG · Full circle AG

GENERAL PROPERTIES:

- Part-circle plastic impact sprinkler for gardening, agriculture, floriculture and greenhouses.
- 1/2" male connection.
- Made of plastic, brass and stainless steel.
- High-resistance rotating joints.
- Arm with anti-splash design.
- Adjustable deflector plate.
- Upper "clip" for positioning inside a casing (VYR-962 AQUA-PRO).
- Irrigation area system controlled by rotating clips.
- Adjustable jet breaker diffuser pin.
- Its versatility and adaptability to all type of gardens make this model one of most common for home gardening.
- This model is also used in low flow agricultural irrigation systems as a complementary part-circle model to VYR-26 and VYR-16.

TECHNICAL SPECIFICATIONS:

- Reach: 10 - 13 m
- Flow: 460 - 1.180 l/h
- Working pressure: 1.5 - 4 BAR
- Area: Full or part circle.
- Nozzles: A multi-jet nozzle.
- Trajectory angles: 26°
- Maximum stream height: 2.5 m
- Rotation time: Adjustable. Depending on the pressure and the nozzles, the rotation will be constant and continuous.
- Uniformity coefficient higher than 90% in areas of 10x10R, 12x12T and 12x13T (meters).

APPLICATIONS:

- Public and private gardens.
- Horticultural plantations, floriculture and fruit trees.

MEASUREMENTS:

- Width: 13 cm / 5,1 in.
- Height: 12 cm / 4,7 in.
- Weight: 220 g / 0,5 Lbs
- Units per box: 100

OPTIONS:

- Available with a brass arm for faster and more consistent rotation (in areas with strong winds).
- Self-compensating flow control valves of 2.5 BAR.
- Assembled as a "complete support kit" on a 1.3 or 0.7 m galvanized stake with microtube and connectors.
- Assembled as a "complete support kit" on a brass, aluminium or plastic spike.
- Assembled as a "complete support kit" on an aluminium base.

MODELS:

Ref. 008023: VYR-802 full circle plastic arm.

Ref. 008025: VYR-802 full circle brass arm.

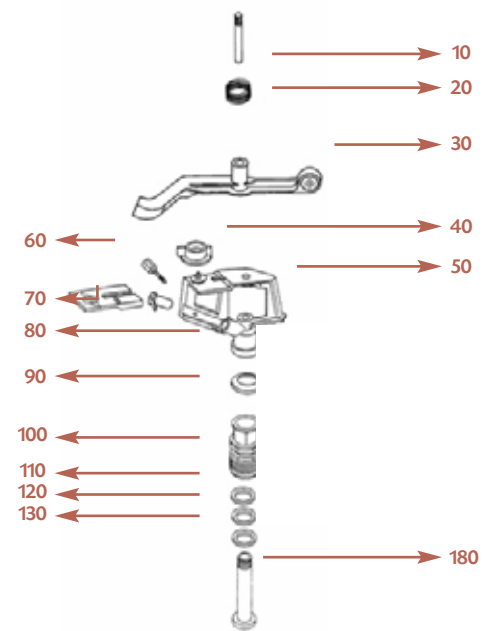


TABLES & PARTS

Technical guidance table VYR-802

NOZZLE	BAR PSI	Spacing (m) / Precipit. rate (mm/h) Spacing (ft) / Precipit. rate (in/h)					
		9x9 30x30	9x9 T 30x30 T	9x10 T 33x33 T	10x10 T 33x33 T	10x12 33x39	12x12 39x39
3 mm 1/8"	2,5	6,7	6	4,6	4,3	4,1	3,5
	36	0,26	0,24	0,18	0,17	0,16	0,14
	3	7,6	6,8	5,3	5	4,7	4
3,5 mm 9/64"	44	0,30	0,27	0,21	0,20	0,19	0,16
	3,5	8,5	7,6	5,9	5,6	5,3	4,5
	51	0,33	0,30	0,23	0,22	0,21	0,18
3,5 mm 9/64"	2,5	9	8,1	6,3	6	5,6	4,8
	36	0,35	0,32	0,25	0,24	0,22	0,19
	3	10,1	9,1	7,2	6,8	6,4	5,4
4 mm 5/32"	44	0,40	0,36	0,28	0,27	0,25	0,21
	3,5	11,2	10,1	8	7,6	7,1	6
	51	0,44	0,40	0,31	0,30	0,28	0,24
4 mm 5/32"	2,5	11,5	10,4	8,3	7,9	7,3	6,2
	36	0,45	0,41	0,33	0,31	0,29	0,24
	3	12,9	11,7	9,4	8,9	8,2	6,9
4 mm 5/32"	44	0,51	0,46	0,37	0,35	0,32	0,27
	3,5	14,2	12,9	10,4	9,8	9,1	7,7
	51	0,56	0,51	0,41	0,39	0,36	0,30

T: Triang. CU < 85% CU 85-88% CU 88-92% CU > 92%



Performance nozzle table VYR-802

NOZZLE	3 mm 1/8"		3,5 mm 9/64"		4 mm 5/32"	
	L/H GPH	Ø m Ø ft	L/H GPH	Ø m Ø ft	L/H GPH	Ø m Ø ft
1,5	450	20	580	21	730	22
22	119	66	153	69	193	72
2	510	21	660	22	850	23
29	135	69	174	72	225	75
2,5	550	22	740	23	950	24
36	145	72	195	75	251	79
3	630	23	810	23	1030	24
44	166	75	214	75	272	79
3,5	680	23	870	24	1110	25
51	180	75	230	79	293	82
4	720	24	930	25	1180	26
58	190	79	246	82	312	85

Standard Ø: Diameter range



- Sprinklers will be supplied with standard nozzles unless otherwise specified.
- These results has benn obtained at indoor laboratory with 0 m/seg win velocity. Outdoor results may change range distances.



Ajustable deflector plate

Anti back-splash arm



Ajustable difuser pin

VYR-26 LA



Ref. 002630



Ref. 002631



Ref. 102640
Germination



Ref. 102641
Germination

VYR-26 LA · Full circle AG

GENERAL PROPERTIES:

- Riser-mounted low flow sprinkler, one nozzle and low angle.
- Model with cover for FROST SPRING PROTECTION.
- Made of plastic and stainless steel.
- High-resistance rotating joints.
- Quick-coupling bayonet nozzles, color-coded for easy identification.
- GERMINATION models.

TECHNICAL SPECIFICATIONS:

- Reach: 8 - 10 m
- Flow: 170 - 1300 l/h
- Working pressure: 1.5 - 3.5 BAR
- Area: Full circle.
- Nozzles: one nozzle, one long range (2 - 3.6 mm).
- trajectory angles: 12°.
- Maximum height of waterjet: 1.6 m (low angle).
- Rotation time: Depending on the pressure and the nozzles, the rotation will be constant and continuous.
- Uniformity coefficient higher than 90% in areas of 8x8R y 8x10T (meters)

APPLICATIONS:

- Low flow irrigation such as cotton, vegetables, floriculture, strawberry plants, etc.
- Ideal in areas where the user prefers to take the sprinkler sets home once irrigation is complete, thanks to its quick coupling connection design.

MEASUREMENTS:

- Height: 16 cm
- Width: 12 cm
- Weight: 65 g
- Units per box: 250

OPTIONS:

- "COMPACT" connection for quick-coupling assembly.
- Threads in BSP or NPT under demand.
- Standard assembly or with frost protection cover, as requested in the order.
- Assembled on "Agro-Stand" with a 1.3 m galvanized stake with microtube and connectors.

MODELS:

- Ref. 002630: LOW-ANGLE 12°.
- Ref. 002631: LOW-ANGLE 12° with anti-frost cap.
- Ref. 002640: L-A 12°, GERMINATION.
- Ref. 002641: L-A 12° + anti-frost cap, GERMINATION.
- Ref. 102660: Nozzle tool.



Agro-Stand

greenflex
pipes



Flexible anti-blending pipe GreenFlex



Easy quick anti-drip connectors

Full set AgroStand



Ref. 102670

Security locks

Ref. 102641



Ref. 466619



Self-compensating valve

Triple Spike Stand
1/2" M



50 units Box with full assembled Agro-Stand



AGRO-STAND · Accesories

GENERAL PROPERTIES:

- Sprinkler Stand System for 1/2" thread models.
- 1,3 m height steel spike, which 30-40 cm are stuck into the ground.
- Made of hi-quality PVC & POM plastics.
- Security-Lock for pipe connection.
- Working pressure of 0-6 BAR.

MODELS:

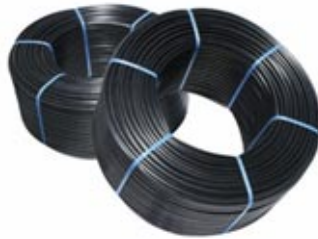
- Ref. 102670: KIT AGRO-STAND: Sprinkler stand + 1,3 m pipe 13 mm + male & female fitting.
- Ref. 102675: Triple spike stand 1/2" M.
- Ref. 102630: Sprinkler stand.
- Ref. 102671: Self-compensating valve.
- Ref. 102672: Triple Spike
- Ref. 102620: Male connector thread-barbed 10 mm.
- Ref. 102610: Male connector thread-barbed 10 mm.
- Ref. 102600: Plug.
- Ref. 102641: Galvanized steel spike 1,2 m for Agro-Stand (revited).
- Ref. 102652: Micro-pipe roll 13 mm of 100 m. (ANTI-FLAT)
- Ref. 102651: Micro-pipe 13 mm of 1,3 m long. (ANTI-FLAT)
- Ref. 466619: Pipe Cutter Tool (10-20 mm).



AGRO-PUNCHERS



Ref. 103120



Ref. 103130



AGRO-PUNCHERS · Accessories for Agro-Stand

GENERAL PROPERTIES:

- Tools for the punching and hole maker into PE pipes and quick connection of AGRO-STAND fittings.
- Quick and secure connection connection system without any leakage and water loose.

MODELS:

- Ref. 103120: Manual puncher tool 10 mm
- Ref. 103130: Auto-puncher tool "Cut-Turn-Place".



Ref. 103140

AGRO-FLAT



Ref. 103150



AGRO-FLAT · Accessories for Agro-Stand

GENERAL PROPERTIES:

- Flat pipe PN-10 system for the quick connection of Agro-Stand lines by using a circular cutter pliers and a express outlet compression micro-fitting.
- Easy and quick assamble, unassamble and storage, by rolling up the pipe.
- Quick and secure connection, connection system without any leakage and water loose.

MODELS:

CONNECTORS AND TOOLS:

- Ref. 103150: Mini-express fitting for flat pipe, for quick-couplig connector.
- Ref. 103140: Puncher pliers for 13 mm holes.

LAY-FLAT PIPE:

- Ref. 102755: Lay-flat pipe AGRO-FLAT of 50 mm, 8 BAR, 50 m
- Ref. 102775: Lay-flat pipe AGRO-FLAT of 80 mm, 8 BAR, 50 m
- Ref. 102791: Lay-flat pipe AGRO-FLAT of 100 mm, 8 BAR, 50 m

RACORDS:

- Ref. 102715: Straight coupler AGRO-FLAT of 50 mm
- Ref. 102716: Straight coupler AGRO-FLAT of 80 mm
- Ref. 102717: Straight coupler AGRO-FLAT of 100 mm

- Ref. 102718: Straight threaded coupler AGRO-FLAT of 50 mm - 2" F
- Ref. 102719: Straight threaded coupler AGRO-FLAT of 75 mm - 3" F
- Ref. 102720: Straight threaded coupler AGRO-FLAT of 100 mm - 4" F

- Ref. 102721: Straight threaded coupler AGRO-FLAT of 50 mm - 2" M
- Ref. 102722: Straight threaded coupler AGRO-FLAT of 75 mm - 2" M
- Ref. 102723: Straight threaded coupler AGRO-FLAT of 100 mm - 2" M

- Ref. 102724: Straight threaded rotative AGRO-FLAT of 50 mm to 2" M
- Ref. 102725: Straight threaded rotative AGRO-FLAT of 75 mm to 3" M
- Ref. 102726: Straight threaded rotative AGRO-FLAT of 100 mm to 4" M

- Ref. 102730: Theaded TE rotative AGRO-FLAT of 50 mm to 2" M
- Ref. 102731: Theaded TE rotative AGRO-FLAT of 75 mm to 3" M
- Ref. 102732: Theaded TE rotative AGRO-FLAT of 100 mm to 4" M

- Ref. 102727: End plug AGRO-FLAT of 50 mm.
- Ref. 102728: End plug AGRO-FLAT of 75 mm.
- Ref. 102729: End plug AGRO-FLAT of 100 mm.

** Hose clamps on page 204.



VYR-3 & VYR-3W



VYR-3 & VYR-3W · Full circle AG

GENERAL PROPERTIES:

- Agricultural impact sprinkler with medium-low flow and low angle.
- 1/2" male connection.
- Made of brass and stainless steel.
- High-resistance rotating joints.
- Nozzle angle of 12°
- Two (2) different arm models: One with a large spoon, and other with a wedge deflector for optimal distribution in its uniformity coefficient.
- Ideal for irrigation under groves, nut trees, banana trees and other fruit trees.

TECHNICAL SPECIFICATIONS:

- A Range distance: 7 - 10 m / 23 - 33 ft.
- Flow: 260 - 650 L/H / 68 - 172 GPH.
- Working pressure: 1,7 - 4,5 BAR / 25 - 65 PSI.
- Area: Full circle.
- Nozzles: A deflector nozzle.
- Trajectory angles: 12°
- Maximum stream height: 1,4 m / 4,6 ft.
- Rotation time: Depending on the pressure and the nozzles, the rotation will be constant and continuous.
- Uniformity coefficient higher than 90% in areas of 10x10R, 12x10T and 11x11T (meters).

APPLICATIONS:

- Low flow applications such as horticultural plants, vegetables and fruit trees. Suitable for the irrigation of banana and other tropical fruit trees.

MEASUREMENTS:

- Height: 13 cm / 5,1 in.
- Width: 14 cm / 5,5 in.
- Weight: 194 g / 0,43 Lbs
- Units per box: 100

OPTIONS:

- Threads in BSP or NPT under demand.
- Assembled on "Agro-Stand" with 1.3 m galvanized steel spike, microtube and connectors.

MODELS:

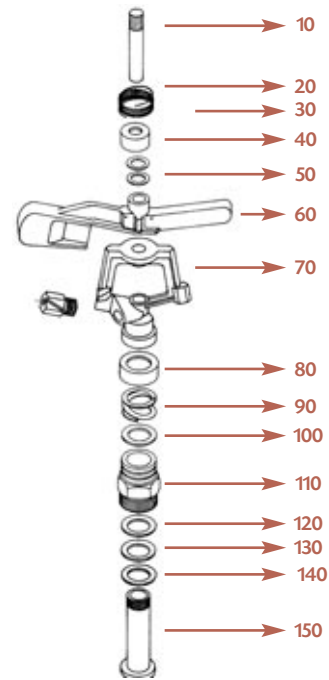
- Ref. 000301: VYR-3 standard arm.
- Ref. 000311: VYR-3W wedge arm.

TABLES & PARTS

Technical guidance table VYR-3

NOZZLE	Spacing (m) / Precipit. rate (mm/h) Spacing (ft) / Precipit. rate (in/h)						
	BAR PSI	5x5 16x16	6x6 19x19	6x10 16x32	8x8 26x26	10x10 32x32	8x12 26x39
2,8 mm 15/128"	2	16,8	11,6	7	6,5	4,2	4,4
	29	0,66	0,46	0,28	0,26	0,17	0,17
	2,5	18,8	13	7,8	7,3	4,7	4,9
	36	0,74	0,51	0,31	0,29	0,19	0,19
3 mm 1/8"	3	20,5	14,3	8,6	8	5,1	5,3
	44	0,81	0,56	0,34	0,31	0,20	0,21
	2	21,6	15	9	8,4	5,4	5,6
	29	0,85	0,59	0,35	0,33	0,21	0,22
3,5 mm 9/64"	2,5	24	16,7	10	9,4	6,0	6,3
	36	0,94	0,66	0,39	0,37	0,24	0,25
	3	26,4	18,3	11	10,3	6,6	6,9
	44	1,04	0,72	0,43	0,41	0,26	0,27
3,5 mm 9/64"	2	28,2	19,6	11,7	11	7	7,3
	29	1,1	0,77	0,46	0,43	0,28	0,29
	2,5	31,5	21,9	13,1	12,3	7,9	8,2
	36	1,24	0,86	0,52	0,48	0,31	0,32
3,5 mm 9/64"	3	34,4	23,9	14,3	13,4	8,6	9
	44	1,35	0,94	0,56	0,53	0,34	0,35

T: Triang. CU < 85% CU 85-88% CU 88-92% CU > 92%



Performance nozzle table VYR-3

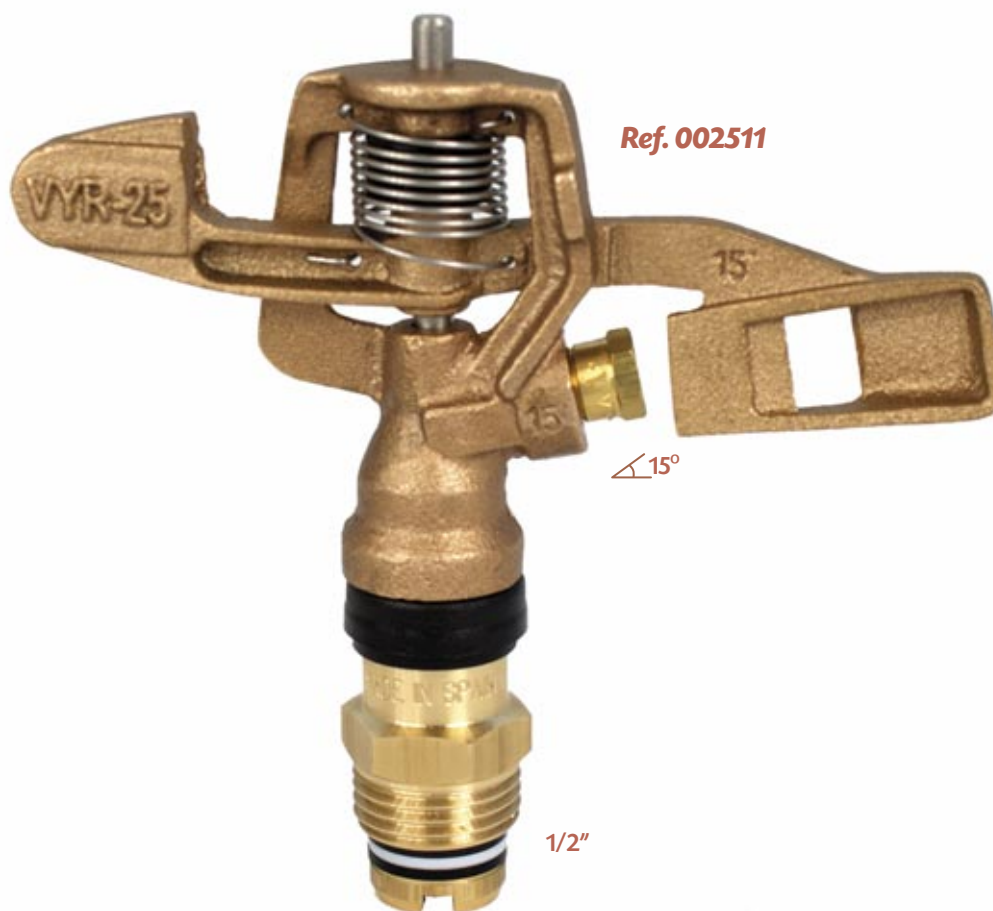
NOZZLE	1,6 mm 9/128"		2 mm 5/64"		2,4 mm 3/32"		2,8 mm 15/128"		3 mm 1/8"		3,2 mm 17/128"	
BAR PSI	L/H GPH	Ø m Ø ft	L/H GPH	Ø m Ø ft	L/H GPH	Ø m Ø ft	L/H GPH	Ø m Ø ft	L/H GPH	Ø m Ø ft	L/H GPH	Ø m Ø ft
1,5	125	15	260	16,5	290	17,5	378	19,5	442	19,5	486	20
22	33	49	69	54	77	57	100	64	117	64	128	66
2	140	15,5	283	17	310	18	419	20	493	20	539	20
29	37	51	75	56	82	59	111	66	130	66	142	66
2,5	150	16,5	300	17	350	18,5	469	21	557	21	600	21
36	40	54	79	56	92	61	124	69	147	69	159	69
3	170	17	336	17,5	380	19	513	22	580	22	660	22
44	45	56	89	57	100	62	136	72	153	72	174	72
3,5	180	17,5	367	18	410	19,5	560	22,5	603	22,5	635	22,5
51	48	57	97	59	108	64	148	74	159	74	168	74
4	195	18	408	18,5	450	20	610	23	630	23	650	23,5
58	52	59	108	61	119	66	161	75	166	75	172	77

Standard Ø: Diameter range

- For optimum distribution avoid use in shady areas. Only with deflector plate!!!
- Sprinklers will be supplied with standard nozzles unless otherwise specified.
- These results has been obtained at indoor laboratory with 0 m/seg win velocity. Outdoor results may change range distances.



VYR-25 L



VYR-25 L · Full circle AG

GENERAL PROPERTIES:

- Low angle and low flow agricultural impact sprinkler.
- 1/2" male connection.
- Made of bronze, brass and stainless steel.
- High-resistance rotating joints.
- Nozzle angle of 15°

TECHNICAL SPECIFICATIONS:

- Range distance: 8 - 13 m / 26 - 43 ft.
- Flow: 260 - 1180 L/H / 68 - 312 GPH.
- Working pressure: 1,7 - 4,5 BAR / 25 - 65 PSI.
- Area: Full circle.
- Nozzles: One nozzle.
- Trajectory angles: 15°
- Maximum stream height: 1,5 m / 4,9 ft.
- Rotation time: Depending on the pressure and the nozzles, the rotation will be constant and continuous.
- Uniformity coefficient higher than 90% in areas of 9x9R, 12x10T and 11x11T (meters).

APPLICATIONS:

- Low flow crops and horticulture. Ideal for areas with strong winds and irrigation under trees.

MEASUREMENTS:

- Height: 11 cm / 4,3 in.
- Width: 11 cm / 4,3 in.
- Weight: 236 g / 0,52 Lbs.
- Units per box: 100

OPTIONS:

- Threads in BSP or NPT under demand.
- Oval-shaped deflector nozzle.
- Self-compensating flow control valves of 2.5 BAR.
- Assembled on "Agro-Stand" with a 1.3 m galvanized steel spike, microtube and connectors.

MODELS:

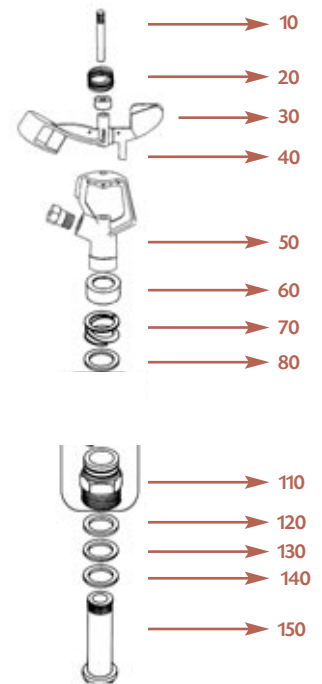
Ref. 002511: Sprinkler of 15° male 1/2"

TABLES & PARTS

Technical guidance table VYR-25 L

NOZZLE	BAR PSI	Spacing (m) / Precipit. rate (mm/h) Spacing (ft) / Precipit. rate (in/h)					
		9x9 T 30x30	9x10 T 30x30 T	9x12 T 33x33 T	10x10 T 33x33 T	10x12 T 33x39 T	12x12 26x39
2,4 mm 3/32"	2	4,4	4	3,3	3,6	3	2,5
	29	0,17	0,16	0,13	0,14	0,12	0,10
	2,5	4,9	4,4	3,7	4	3,3	2,7
	36	0,19	0,17	0,15	0,16	0,13	0,11
	3	5,2	4,7	3,9	4,3	3,5	3
2,8 mm 7/64"	44	0,20	0,19	0,15	0,17	0,14	0,12
	3,5	5,6	5,1	4,2	4,6	3,8	3,2
	51	0,22	0,20	0,17	0,18	0,15	0,13
	2	5,6	5	4,2	4,5	3,8	3,1
	29	0,22	0,20	0,17	0,18	0,15	0,12
3,2 mm 17/128"	2,5	6,1	5,5	4,6	5	4,1	3,4
	36	0,24	0,22	0,18	0,20	0,16	0,13
	3	6,5	5,9	4,9	5,3	4,4	3,7
	44	0,26	0,23	0,19	0,21	0,17	0,15
	3,5	7	6,3	5,3	5,7	4,8	4
3,6 mm 9/64"	51	0,28	0,25	0,21	0,22	0,19	0,16
	2	6,8	6,1	5,1	5,5	4,6	3,8
	29	0,27	0,24	0,20	0,22	0,18	0,15
	2,5	7,4	6,7	5,6	6	5	4,2
	36	0,29	0,26	0,22	0,24	0,20	0,17
3,6 mm 9/64"	3	8	7,2	6	6,5	5,4	4,5
	44	0,31	0,28	0,24	0,26	0,21	0,18
	3,5	8,6	7,7	6,4	7	5,8	4,8
	51	0,34	0,30	0,25	0,28	0,23	0,19
	2	7,9	7,1	5,9	6,4	5,3	4,4
3,6 mm 9/64"	29	0,31	0,28	0,23	0,25	0,21	0,17
	2,5	8,7	7,8	6,5	7,0	5,9	4,9
	36	0,34	0,31	0,26	0,28	0,23	0,19
	3	9,4	8,5	7,1	7,6	6,4	5,3
	44	0,37	0,33	0,28	0,30	0,25	0,21
3,6 mm 9/64"	3,5	10,1	9,1	7,6	8,2	6,8	5,7
	51	0,40	0,36	0,30	0,32	0,27	0,22

T: Triang. CU < 85% CU 85-88% CU 88-92% CU > 92%



Performance nozzle table VYR-25 L

NOZZLE	2,25 11/128"		2,4 mm 3/32"		2,8 mm 7/64"		3mm 1/8"		3,2 mm 17/128"		R 3,6 mm 19/128"		R 4 mm 5/32"		R 4,4 mm 11/64"	
	BAR PSI	L/H GPH	Ø m Ø ft	L/H GPH	Ø m Ø ft	L/H GPH	Ø m Ø ft	L/H GPH	Ø m Ø ft	L/H GPH	Ø m Ø ft	L/H GPH	Ø m Ø ft	L/H GPH	Ø m Ø ft	L/H GPH
1,5	276	20	288	20	384	20	480	20	516	20	720	18	876	16	996	20
22	73	5,3	76	5,3	101	5,3	127	5,3	136	5,3	190	4,8	231	4,2	263	5,3
2	300	20	336	20	420	20	546	20	594	22	822	20	996	18	1110	20
29	79	5,3	89	5,3	111	5,3	144	5,3	157	5,8	217	5,3	263	4,8	293	5,3
2,5	360	20	378	22	480	20	600	22	636	22	918	20	1134	20	1272	22
36	95	5,3	100	5,8	127	5,3	158	5,8	168	5,8	242	5,3	299	5,3	336	5,8
3	384	22	420	22	516	22	642	22	702	22	966	20	1200	20	1440	24
44	101	5,8	111	5,8	136	5,8	169	5,8	185	5,8	255	5,3	317	5,3	380	6,3
3,5	420	22	450	22	564	22	702	22	720	22	1062	20	1320	20	1524	26
51	111	5,8	119	5,8	149	5,8	185	5,8	190	5,8	280	5,3	348	5,3	402	6,9
4	444	22	462	22	606	22	744	22	750	24	1140	20	1440	20	1560	26
58	117	5,8	122	5,8	160	5,8	196	5,8	198	6,3	301	5,3	380	5,3	412	6,9

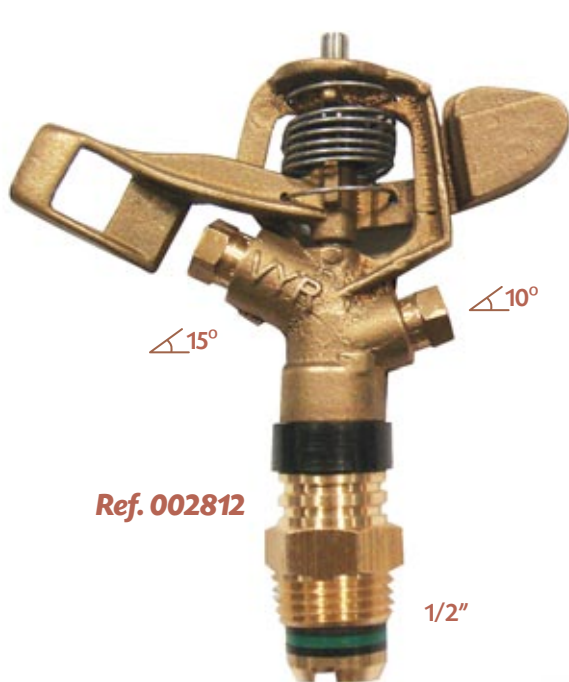
Standard Ø: Diameter range



- For optimum distribution avoid use in shady areas.
- Sprinklers will be supplied with standard nozzles unless otherwise specified.
- These results has been obtained at indoor laboratory with 0 m/seg win velocity. Outdoor results may change range distances.

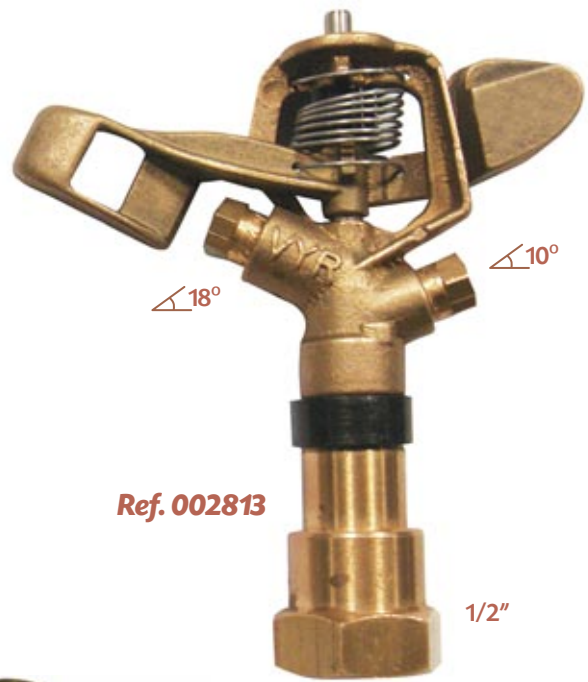


VYR-28



Ref. 002812

1/2"



Ref. 002813

1/2"



VYR-28 · Full circle AG

GENERAL PROPERTIES:

- A Low flow agricultural impact sprinkler.
- 1/2" male or female connection.
- Made of brass and stainless steel.
- High-resistance rotating joints.
- Nozzle angle of 18° and 10°
- Rotating coupling with protective cover.

TECHNICAL SPECIFICATIONS:

- Range distance: 12 - 15 m / 39 - 50 ft.
- Flow: 240 - 1990 L/H / 64 - 525 GPH.
- Working pressure: 1,7 - 4,5 BAR / 25 - 65 PSI.
- Area: Full circle.
- Nozzles: Two nozzles: one main nozzle and a secondary deflector nozzle.
- Trajectory angles: 18° and 10°
- Maximum stream height: 2,7 m / 9 ft.
- Rotation time: Depending on the pressure and the nozzles, the rotation will be constant and continuous.
- Uniformity coefficient higher than 90% in areas of 11x11R, 12x12T and 13x11T (meters).

APPLICATIONS:

- Low flow and vegetable crops.

MEASUREMENTS:

- Height: 10,5 cm / 4,1 in.
- Width: 10 cm / 3,9 in.
- Weight: 194 g / 0,43 Lbs
- Units per box: 100

OPTIONS:

- Threads in BSP or NPT under demand.
- Self-compensating flow control valves of 2.5 BAR.
- Assembled on "Agro-Stand" with a 1.3 m galvanized steel stpike, microtube and connectors.

MODELS:

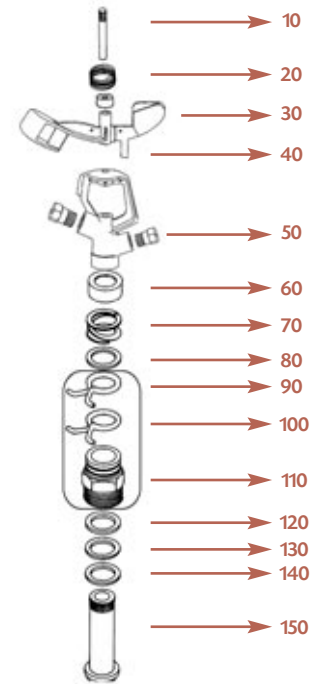
- Ref. 002812: 1/2" male.
- Ref. 002813: 1/2" female.

TABLES & PARTS

Technical guidance table VYR-28

NOZZLE	Spacing (m) / Precipit. rate (mm/h) Spacing (ft) / Precipit. rate (in/h)						
	BAR PSI	9x9 T 30x30	9x10 T 30x33 T	9x12 T 30x39 T	10x10 T 33x33 T	10x12 T 33x39 T	12x12 39x39
2,4 mm 3/32"	2	4,4	4	3,3	3,6	3	2,5
	29	0,17	0,16	0,13	0,14	0,12	0,10
	2,5	4,9	4,4	3,7	4	3,3	2,7
	36	0,19	0,17	0,15	0,16	0,13	0,11
	3	5,2	4,7	3,9	4,3	3,5	3
2,8 mm 7/64"	44	0,20	0,19	0,15	0,17	0,14	0,12
	3,5	5,6	5,1	4,2	4,6	3,8	3,2
	51	0,22	0,20	0,17	0,18	0,15	0,13
	2	5,6	5	4,2	4,5	3,8	3,1
	29	0,22	0,20	0,17	0,18	0,15	0,12
3,2 mm 17/128"	2,5	6,1	5,5	4,6	5	4,1	3,4
	36	0,24	0,22	0,18	0,20	0,16	0,13
	3	6,5	5,9	4,9	5,3	4,4	3,7
	44	0,26	0,23	0,19	0,21	0,17	0,15
	3,5	7	6,3	5,3	5,7	4,8	4
3,5 mm 9/64"	51	0,28	0,25	0,21	0,22	0,19	0,16
	2	6,8	6,1	5,1	5,5	4,6	3,8
	29	0,27	0,24	0,20	0,22	0,18	0,15
	2,5	7,4	6,7	5,6	6	5	4,2
	36	0,29	0,26	0,22	0,24	0,20	0,17
3,5 mm 9/64"	3	8	7,2	6	6,5	5,4	4,5
	44	0,31	0,28	0,24	0,26	0,21	0,18
	3,5	8,6	7,7	6,4	7	5,8	4,8
	51	0,34	0,30	0,25	0,28	0,23	0,19
	2	7,9	7,1	5,9	6,4	5,3	4,4
3,5 mm 9/64"	29	0,31	0,28	0,23	0,25	0,21	0,17
	2,5	8,7	7,8	6,5	7	5,9	4,9
	36	0,34	0,31	0,26	0,28	0,23	0,19
	3	9,4	8,5	7,1	7,6	6,4	5,3
	44	0,37	0,33	0,28	0,30	0,25	0,21
3,5 mm 9/64"	3,5	10,1	9,1	7,6	8,2	6,8	5,7
	51	0,40	0,36	0,30	0,32	0,27	0,22

T: Triang. CU < 85% CU 85-88% CU 88-92% CU > 92%



Performance nozzle table VYR-28

Estándar Ø: Diameter range

NOZZLE	2,4 mm 3/32"		2,8 mm 7/64"		3 mm 1/8"		3,2 mm 17/128"		3,5 mm 9/64"		4 mm 5/32"		4,4 mm 11/64"	
BAR PSI	L/H GPH	Ø m Ø ft	L/H GPH	Ø m Ø ft	L/H GPH	Ø m Ø ft	L/H GPH	Ø m Ø ft	L/H GPH	Ø m Ø ft	L/H GPH	Ø m Ø ft	L/H GPH	Ø m Ø ft
1	240	18	310	19	360	19	400	20	480	20	620	21	760	22
15	63	59	82	62	95	62	106	66	127	66	164	69	201	72
1,5	300	19	370	19	440	20	480	21	570	21	750	22	910	23
22	79	62	98	62	116	66	127	69	150	69	198	72	240	75
2	340	20	420	20	500	21	550	21	660	22	850	23	1030	24
29	90	66	111	66	132	69	145	69	174	72	224	75	272	79
2,5	380	21	470	21	560	22	600	22	730	23	950	24	1150	25
36	100	69	124	69	148	72	158	72	193	75	251	79	304	82
3	410	22	520	22	610	23	660	23	800	23	1040	24	1270	25
44	108	72	137	72	161	75	174	75	211	75	275	79	335	82
3,5	450	23	560	23	650	23	710	23	860	24	1100	25	1350	26
51	119	75	148	75	172	75	187	75	227	79	290	82	356	85
4	480	24	600	24	690	24	760	24	910	25	1180	26	1440	27
58	127	79	158	79	182	79	201	79	240	82	312	85	380	89

NOZZLE	2,4 x 1,6 mm 3/32" x 1/16"		2,8 x 1,6 mm 7/64" x 1/16"		3 x 2 mm 1/8" x 5/64"		3,2 x 2 mm 1/8" x 5/64"		3,5 x 2 mm 9/64" x 5/64"		4 x 2,4 mm 5/32" x 3/32"		4,4 x 2,4 mm 11/64" x 3/32"	
BAR PSI	L/H GPH	Ø m Ø ft	L/H GPH	Ø m Ø ft	L/H GPH	Ø m Ø ft	L/H GPH	Ø m Ø ft	L/H GPH	Ø m Ø ft	L/H GPH	Ø m Ø ft	L/H GPH	Ø m Ø ft
1	380	18	420	19	610	19	650	20	745	20	950	21	1090	22
15	100	59	111	62	161	62	172	66	197	66	251	69	288	72
1,5	425	19	495	19	700	20	740	21	830	21	1090	22	1230	23
22	112	62	131	62	185	66	195	69	219	69	288	72	325	75
2	480	20	560	20	783	21	830	21	945	22	1230	23	1375	24
29	127	66	148	66	207	69	219	69	249	72	325	75	363	79
2,5	530	21	620	21	860	22	900	22	1030	23	1390	24	1535	25
36	140	69	164	69	227	72	238	72	272	75	367	79	405	82
3	580	22	690	22	945	23	995	23	1135	23	1535	24	1715	25
44	153	72	182	72	249	75	263	75	300	75	405	79	453	82
3,5	630	23	740	23	1020	23	1080	23	1230	24	1655	25	1860	26
51	166	75	195	75	269	75	285	75	375	79	437	82	491	85
4	675	24	795	24	1098	24	1170	24	1320	25	1770	26	1990	27
58	178	79	210	79	290	79	309	79	348	82	467	85	525	89

- For optimum distribution avoid use in shady areas.
- Sprinklers will be supplied with standard nozzles unless otherwise specified.
- These results has been obtained at indoor laboratory with 0 m/seg win velocity. Outdoor results may change range distances.

VYR-50 AG



VYR-50 AG · Full Circle AG

GENERAL PROPERTIES:

- 1/2" male connection.
- Made of brass and stainless steel.
- High-resistance rotating joints.
- Adjustable deflector plate.
- Irrigation area control system by adjustment of rotating clips.
- Adjustable jet breaker diffuser pin.
- This sprinkler is strong and durable enough to work for years in urban gardens in punishing conditions, such as vandalism and impact from maintenance equipment.

TECHNICAL SPECIFICATIONS:

- Range distance: 9 - 14 m / 30-46 ft.
- Flow: 240 - 1440 L/H / 63 - 380 GPH
- Working pressure: 1 - 4 BAR / 14 - 58 PSI.
- Area: Full or part circle.
- Nozzles: A single-jet nozzle.
- Trajectory angles: 28°
- Maximum stream height: 2,6 m / 8,5 ft.
- Rotation time: Depending on the pressure and the nozzles, the rotation will be constant and continuous.
- Uniformity coefficient higher than 90% in areas of 10x10R, 12x12T and 12x13T (meters).

APPLICATIONS:

- Public and private gardens.
- Horticultural plantations, floriculture and fruit trees.

MEASUREMENTS:

- Height: 13 cm / 5,1 in.
- Width: 12 cm / 4,7 in.
- Weight: 220 g / 0,50 Lbs
- Units per box: 50

OPTIONS:

- Threads in BSP or NPT under demand.
- Special design with a threaded shaft for fitting to the VYR-961 pop-up head.
- Self-compensating flow control valves of 1.5 and 2 BAR
- Assembled on "Agro-Stand" with a 1.3 m galvanized steel spike, microtube and connectors.
- Assembled on a brass, aluminium or plastic spike.
- Assembled on an aluminium round base.

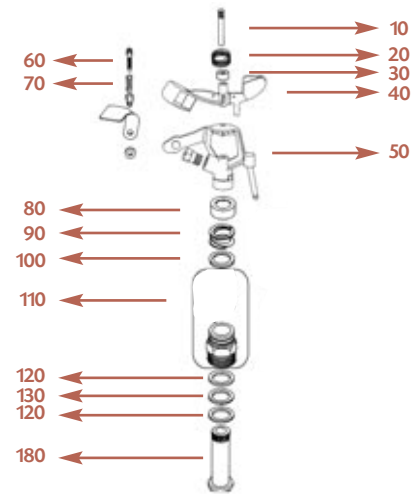
MODELS:

- Ref. 005001:** Full circle sprinkler + Deflector + Difuser pin
- Ref. 005002:** Full circle sprinkler + Difuser pin
- Ref. 005003:** Full circle (without deflector or pin)

TABLES & PARTS

Technical guidance table VYR-50 AG

NOZZLE	Spacing (m) / Precipit. rate (mm/h) Spacing (ft) / Precipit. rate (in/h)						
	BAR PSI	9x9 30x30	9x9 T 30x30 T	9x10 33x33	10x10 T 33x33 T	10x12 T 33x39 T	12x12 T 39x39 T
3,6 mm 9/64"	2,5	9,7	9,0	7,6	7,3	6,6	5,5
	36	0,38	0,35	0,31	0,28	0,21	0,20
	3	10,6	9,8	8,3	8,0	7,2	6,0
4 mm 5/32"	44	0,41	0,38	0,33	0,31	0,23	0,21
	3,5	11,5	10,6	8,9	8,6	7,8	6,5
	5	0,44	0,41	0,36	0,33	0,25	0,23
4,4 mm 11/64"	2,5	12,0	11,1	9,3	9,0	8,1	6,8
	36	0,46	0,43	0,38	0,35	0,26	0,24
	3	13,1	12,1	10,2	9,8	8,9	7,4
4,4 mm 11/64"	44	0,51	0,47	0,41	0,38	0,28	0,26
	3,5	14,2	13,1	11,0	10,6	9,6	8,0
	5	0,55	0,51	0,44	0,41	0,30	0,29
4,4 mm 11/64"	2,5	14,5	13,4	11,3	10,9	9,8	8,2
	36	0,56	0,52	0,46	0,42	0,31	0,29
	3	15,9	14,7	12,4	11,9	10,7	8,9
4,4 mm 11/64"	44	0,62	0,57	0,50	0,46	0,34	0,32
	3,5	17,2	15,9	13,4	12,8	11,6	9,7
	5	0,67	0,6	0,54	0,50	0,37	0,35



T: Triang. CU < 85% CU 85-88% CU 88-92% CU > 92%

Performance nozzle table VYR-50 AG

NOZZLE	2,4 mm 3/32"		2,8 mm 7/64"		3 mm 1/8"		3,2 mm 17/128"		3,6 mm 9/64"		4 mm 5/32"		4,4 mm 11/64"	
	BAR PSI	L/H GPH	Ø m Ø ft	L/H GPH	Ø m Ø ft	L/H GPH	Ø m Ø ft	L/H GPH	Ø m Ø ft	L/H GPH	Ø m Ø ft	L/H GPH	Ø m Ø ft	L/H GPH
1	240	18	310	19	360	19	400	20	480	20	620	21	760	22
15	63	59	82	62	95	62	106	66	127	66	164	69	201	72
1,5	300	19	370	19	440	20	480	21	570	21	750	22	910	23
22	79	62	98	62	116	66	127	69	150	69	198	72	240	75
2	340	20	420	20	500	21	550	21	660	22	850	23	1030	24
29	90	66	111	66	132	69	145	69	174	72	224	75	272	79
2,5	380	21	470	21	560	22	600	22	730	23	950	24	1150	25
36	100	69	124	69	148	72	158	72	193	75	251	79	304	82
3	410	22	520	22	610	23	660	23	800	23	1040	24	1270	25
44	108	72	137	72	161	75	174	75	211	75	275	79	335	82
3,5	450	23	560	23	650	23	710	23	860	24	1100	25	1350	26
5	119	75	148	75	172	75	187	75	227	79	290	82	356	85
4	480	24	600	24	690	24	760	24	910	25	1180	26	1440	27
58	127	79	158	79	182	79	201	79	240	82	312	85	380	89

Standard Ø: Diameter range

- For optimum distribution avoid use in shady areas. Only with deflector plate!!!
- Sprinklers will be supplied with standard nozzles unless otherwise specified.
- These results has been obtained at indoor laboratory with 0 m/seg win velocity. Outdoor results may change range distances.



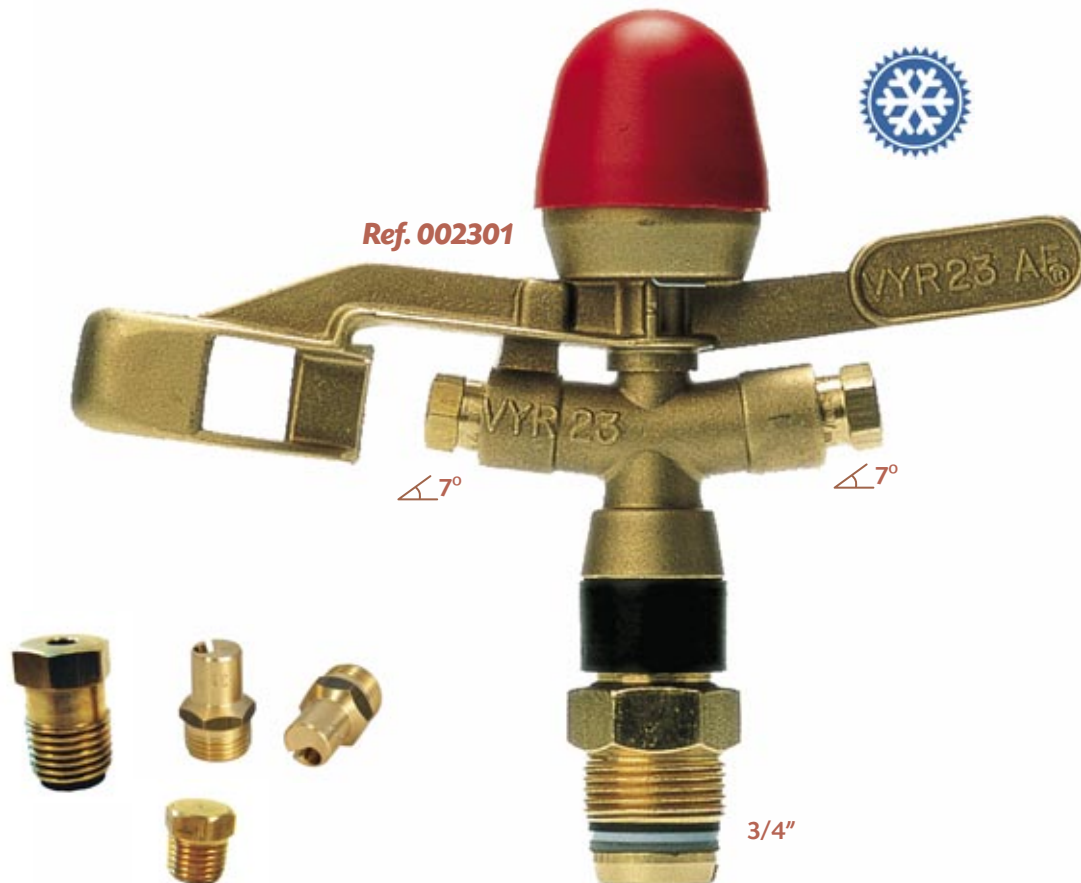




Anti-Frost Irrigation Agricultural Medium Flow

- VYR-23Pg. 46
- VYR-33 PPg. 48
- VYR-33Pg. 50

VYR-23 Anti-Frost



VYR-23 ANTI-FROST · Full Circle AG

GENERAL PROPERTIES:

- Medium flow and low angle agricultural impact sprinkler.
- ANTI-FROST protection cover with UV sun protector.
- 3/4" male or female connection.
- Made of brass and stainless steel.
- High-resistance rotating joints.
- Nozzle angles of 7° and 7°
- Specially designed to achieve greater reach with Pivots and in windy areas.

TECHNICAL SPECIFICATIONS:

- Range distance: 10 - 13.50 m
- Flow: 660 - 3270 l/h
- Working pressure: 1.7 - 4.5 BAR
- Area: Full circle.
- Nozzles: Two nozzles.
- Trajectory angles: 7° and 7°
- Maximum stream height: 1.2 m
- Rotation time: Depending on the pressure and the nozzles, the rotation will be constant and continuous.

APPLICATIONS:

- Horticultural plantations, cereals, tubers, leguminous plants and fruit trees. Designed to work at a low angle on Pivots, in windy areas and ANTI-FROST conditions.

MEASUREMENTS:

- Height: 15 cm
- Width: 16 cm
- Weight: 450 / 480 g
- Units per box: 50

OPTIONS:

- Threads in BSP or NPT under demand.
- Brass or plastic nozzles, depending on the customer's technical specifications.
- Secondary nozzle similar to the main nozzle.
- Assembled on a pressure regulator for self-compensation of pressure and flow in Pivots and sprinkler lines.

MODELS:

- Ref. 002301: 3/4" male.
- Ref. 002302: 3/4" female.

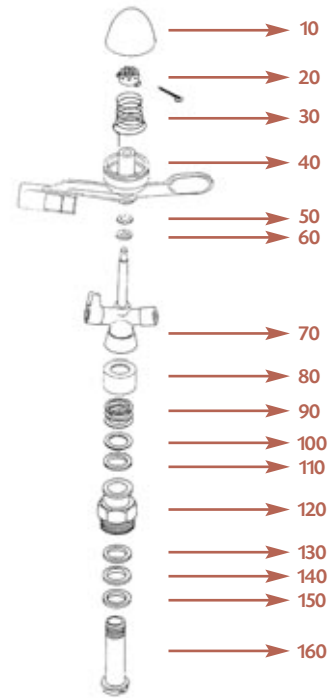


TABLES & PARTS

Technical guidance table VYR-23

NOZZLE	Spacing (m) / Precipit. rate (mm/h)						
	BAR PSI	Spacing (ft) / Precipit. rate (in/h)					
		9x9 30x30	9x10 30x33	9x12 30x39	10x10 33x33	10x12 33x39	12x12 39x39
2,4 x 4 mm 3/32" x 5/32"	3	4,4	4	3,3	3,6	3	2,5
	44	0,17	0,16	0,13	0,14	0,12	0,10
	3,5	4,9	4,4	3,7	4	3,3	2,7
	51	0,19	0,17	0,15	0,16	0,13	0,11
	4	5,2	4,7	3,9	4,3	3,5	3
2,4 x 4,4 mm 3/32" x 11/64"	58	0,20	0,19	0,15	0,17	0,14	0,12
	5	5,6	5,1	4,2	4,6	3,8	3,2
	73	0,22	0,20	0,17	0,18	0,15	0,13
	3	5,6	5	4,2	4,5	3,8	3,1
	44	0,22	0,20	0,17	0,18	0,15	0,12
3,2 x 4,8 mm 17/128" x 3/16"	3,5	6,1	5,5	4,6	5	4,1	3,4
	51	0,24	0,22	0,18	0,20	0,16	0,13
	4	6,5	5,9	4,9	5,3	4,4	3,7
	58	0,26	0,23	0,19	0,21	0,17	0,15
	5	7	6,3	5,3	5,7	4,8	4
3,2 x 5,2 mm 17/128" x 13/64"	73	0,28	0,25	0,21	0,22	0,19	0,16
	3	6,8	6,1	5,1	5,5	4,6	3,8
	44	0,27	0,24	0,20	0,22	0,18	0,15
	3,5	7,4	6,7	5,6	6	5	4,2
	51	0,29	0,26	0,22	0,24	0,20	0,17
3,2 x 5,2 mm 17/128" x 13/64"	4	8	7,2	6	6,5	5,4	4,5
	58	0,31	0,28	0,24	0,26	0,21	0,18
	5	8,6	7,7	6,4	7	5,8	4,8
	73	0,34	0,30	0,25	0,28	0,23	0,19
	3	7,9	7,1	5,9	6,4	5,3	4,4
3,2 x 5,2 mm 17/128" x 13/64"	44	0,31	0,28	0,23	0,25	0,21	0,17
	3,5	8,7	7,8	6,5	7	5,9	4,9
	51	0,34	0,31	0,26	0,28	0,23	0,19
	4	9,4	8,5	7,1	7,6	6,4	5,3
	58	0,37	0,33	0,28	0,30	0,25	0,21
3,2 x 5,2 mm 17/128" x 13/64"	5	10,1	9,1	7,6	8,2	6,8	5,7
	73	0,40	0,36	0,30	0,32	0,27	0,22

T: Triang. CU < 85% CU 85-88% CU 88-92% CU > 92%



Performance nozzle table VYR-23

Long range nozzle (long vane) + short range nozzle

NOZZLE	4 x 2,4 mm 5/32" x 3/32"		4,4 x 2,4 mm 11/64" x 3/32"		4,8 x 2,4 mm 3/16" x 3/32"		5,2 x 2,4 mm 13/64" x 3/32"	
	BAR PSI	L/H GPH Ø m Ø ft	L/H GPH Ø m Ø ft	L/H GPH Ø m Ø ft	L/H GPH Ø m Ø ft	L/H GPH Ø m Ø ft	L/H GPH Ø m Ø ft	L/H GPH Ø m Ø ft
1,5	1019	21	1177	21	1349	21	1536	21
22	269	69	311	69	356	69	406	69
2	1176	22	1358	22	1557	23	1773	21
29	310	72	359	72	411	75	468	69
2,5	1315	23	1519	23	1741	24	1983	24
36	347	75	401	75	460	79	524	79
3	1442	25	1664	25	1908	26	2173	26
44	381	82	439	82	504	85	574	85
3,5	1557	25	1797	25	2060	26	2346	27
51	411	82	474	85	544	85	619	89
4	1665	26	1922	26	2203	26	2509	28
58	440	85	507	85	582	85	662	92



- For optimum distribution avoid use in shady areas.
- Sprinklers will be supplied with standard nozzles unless otherwise specified.
- These results has been obtained at indoor laboratory with 0 m/seg win velocity. Outdoor results may change range distances.

Long range nozzle (long vane) + plug

Standard Ø: Diameter range

NOZZLE	3,2 mm 1/8"	3,6 mm 9/64"	4 mm 5/32"	4,4 mm 11/64"	4,8 mm 3/16"	5,2 mm 13/64"	5,5 mm 7/32"	6 mm 15/64"	6,3 mm 1/4"	6,7 mm 17/64"										
	BAR PSI	L/H GPH Ø m Ø ft	L/H GPH Ø m Ø ft	L/H GPH Ø m Ø ft	L/H GPH Ø m Ø ft	L/H GPH Ø m Ø ft	L/H GPH Ø m Ø ft	L/H GPH Ø m Ø ft	L/H GPH Ø m Ø ft	L/H GPH Ø m Ø ft										
1,5	480	20	570	21	750	22	890	22	1050	22	1220	22	1400	21	1590	20,5	1790	21	2010	21
22	127	69	151	69	198	72	235	72	277	72	322	72	370	69	420	67	473	69	531	69
2	550	21	660	22	850	23	1030	23	1220	23	1410	23	1620	22	1840	22	2070	22,5	2300	22,5
29	145	69	174	72	225	75	272	75	322	75	372	75	428	72	486	72	547	74	608	74
2,5	600	22	730	23	950	24	1150	24	1360	24	1580	24	1810	23	2050	23	2310	23	2500	23,4
36	159	72	193	23	251	79	304	79	359	79	417	79	478	75	542	75	610	75	660	77
3	660	23	800	23	1040	24	1260	24	1490	24	1730	24	1980	23,4	2250	23,4	2530	23,5	2800	23,6
44	174	75	211	75	275	79	333	79	394	79	457	79	523	77	594	77	668	77	740	77
3,5	710	23	860	24	1100	25	1360	25	1610	25	1860	25	2140	23,6	2430	23,5	2740	23,6	3100	23,8
51	188	75	227	79	291	82	359	82	425	82	491	82	565	77	642	77	724	77	819	7,8
4	760	24	910	25	1180	26	1450	26	1720	26	2010	26	2300	24	2610	23,6	2950	23,8	3400	24
58	201	79	240	82	312	85	383	85	454	85	531	85	608	79	689	77	779	78	898	79

VYR-33 P Anti-Frost



VYR-33 P ANTI-FROST · Full circle AG

GENERAL PROPERTIES:

- Medium flow agricultural impact sprinkler.
- ANTI-FROST protection cover.
- 3/4" male or female connection.
- Made of SPECIAL PLASTIC and stainless steel.
- High-resistance rotating joints.
- Nozzle angles of 25° and 30°
- Special design for ANTI-FROST irrigation using materials resistant to extreme conditions.

TECHNICAL SPECIFICATIONS:

- Range distance: 10 - 13,5 m / 33 - 44 ft.
- Flow: 900 - 2920 L/H / 237 - 770 GPH.
- Working pressure: 2,5 - 5 BAR / 36 - 72 PSI.
- Area: Full circle.
- Nozzles: Two nozzles: one main nozzle and a secondary deflector nozzle or plug.
- Trajectory angles: 25° and 30°
- Maximum stream height: 3,7 m / 12 ft.
- Rotation time: Depending on the pressure and the nozzles, the rotation will be constant and continuous.
- Uniformity coefficient higher than 90% in areas of 17x17R, 18x18T and 19x17T (meters)

APPLICATIONS:

- Horticultural plantations, cereals, tubers, leguminous plants and fruit trees. Designed to work in ANTI-FROST conditions.

MEASUREMENTS:

- Height: 15 cm / 5,9 in.
- Width: 17 cm / 6,7 in.
- Weight: 190 g / 0,42 Lbs.
- Units per box: 50

OPTIONS:

- Threads in BSP or NPT under demand.
- Brass or plastic nozzles, depending on the customer's technical specifications.
- Secondary nozzle with deflector slot or plug.
- Assembled on a pressure regulator for self-compensation of pressure and flow.

MODELS:

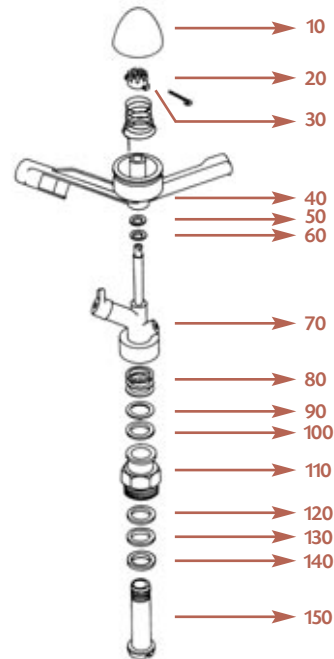
- **Ref. 003331:** Sprinkler 3/4" male.
- **Ref. 003332:** Sprinkle 3/4" female brass racord.
- **Ref. 105608:** Plastic sprinkler racord 3/4" female.

TABLES & PARTS

Technical guidance table VYR-33 P

NOZZLE	Spacing (m) / Precipit. rate (mm/h) Spacing (ft) / Precipit. rate (in/h)					
	BAR	16x18 T	16x20 T	18x18 T	18x20 T	20x20 T
	PSI	53x59 T	53x66 T	59x59 T	59x66 T	66x66 T
4 mm 5/32"	3	3,6	3,3	3,2		
	44	0,14	0,13	0,13		
	3,5	3,9	3,5	3,5	3,1	
	51	0,15	0,14	0,14	0,12	
	4	4,2	3,8	3,7	3,4	3
	58	0,17	0,15	0,15	0,13	0,12
4,8 mm 3/16"	4,5	4,5	4	4	3,6	3,2
	65	0,18	0,16	0,16	0,14	0,13
	5	4,7	4,2	4,2	3,8	3,4
	73	0,19	0,17	0,17	0,15	0,13
	3	5,2	4,7	4,7	4,2	
	44	0,20	0,19	0,19	0,17	
4,8 x 2,4 mm 3/16" x 3/32"	3,5	5,7	5,1	5	4,5	4,1
	51	0,22	0,20	0,20	0,18	0,16
	4	6,1	5,4	4,5	4,8	4,4
	58	0,24	0,21	0,18	0,19	0,17
	4,5	6,4	5,8	5,7	5,1	4,6
	65	0,25	0,23	0,22	0,20	0,18
4,8 x 2,4 mm 3/16" x 3/32"	5	6,8	6,1	6	5,4	4,9
	73	0,27	0,24	0,24	0,21	0,19
	3	6,5	5,9	5,8	5,2	4,7
	44	0,26	0,23	0,23	0,20	0,19
	3,5	7,1	6,4	6,3	5,7	5,1
	51	0,28	0,25	0,25	0,22	0,20
4,8 x 2,4 mm 3/16" x 3/32"	4	7,6	6,8	6,7	6,1	5,4
	58	0,30	0,27	0,26	0,24	0,21
	4,5	8	7,2	7,1	6,4	5,8
	65	0,31	0,28	0,28	0,25	0,23
	5	8,5	7,6	7,5	6,8	6,1
	73	0,33	0,30	0,30	0,27	0,24

T: Triang. CU < 85% CU 85-88% CU 88-92% CU > 92%



Performance nozzle table VYR-33 P

Long range nozzle (long vane) + plug

NOZZLE	4 mm 5/32"		4,4 mm 11/64"		4,8 mm 3/16"		5,5 mm 7/32"	
	BAR PSI	L/H GPH Ø m Ø ft	L/H GPH Ø m Ø ft	L/H GPH Ø m Ø ft	L/H GPH Ø m Ø ft	L/H GPH Ø m Ø ft	L/H GPH Ø m Ø ft	
2	900	27,5	1000	28	1270	30	1630	31
29	238	90	264	92	335	98	431	102
2,5	980	28	1140	29	1400	31	1795	32,4
36	259	92	301	95	370	102	474	106
3	1065	29,5	1225	30	1550	32	1960	33,2
44	281	97	324	98	409	105	518	109
3,5	1150	30,6	1295	31,2	1630	33	2095	34
51	304	100	342	102	431	108	553	112
4	1230	31	1390	32,3	1770	34	2220	35,3
58	325	102	367	106	468	112	586	116
4,5	1290	31,2	1445	32,5	1890	34	2340	36
65	341	102	382	107	499	112	618	118
5	1360	31,8	1510	32,5	1980	34	2470	36
73	359	104	399	107	523	112	653	118

Standard Ø: Diameter range

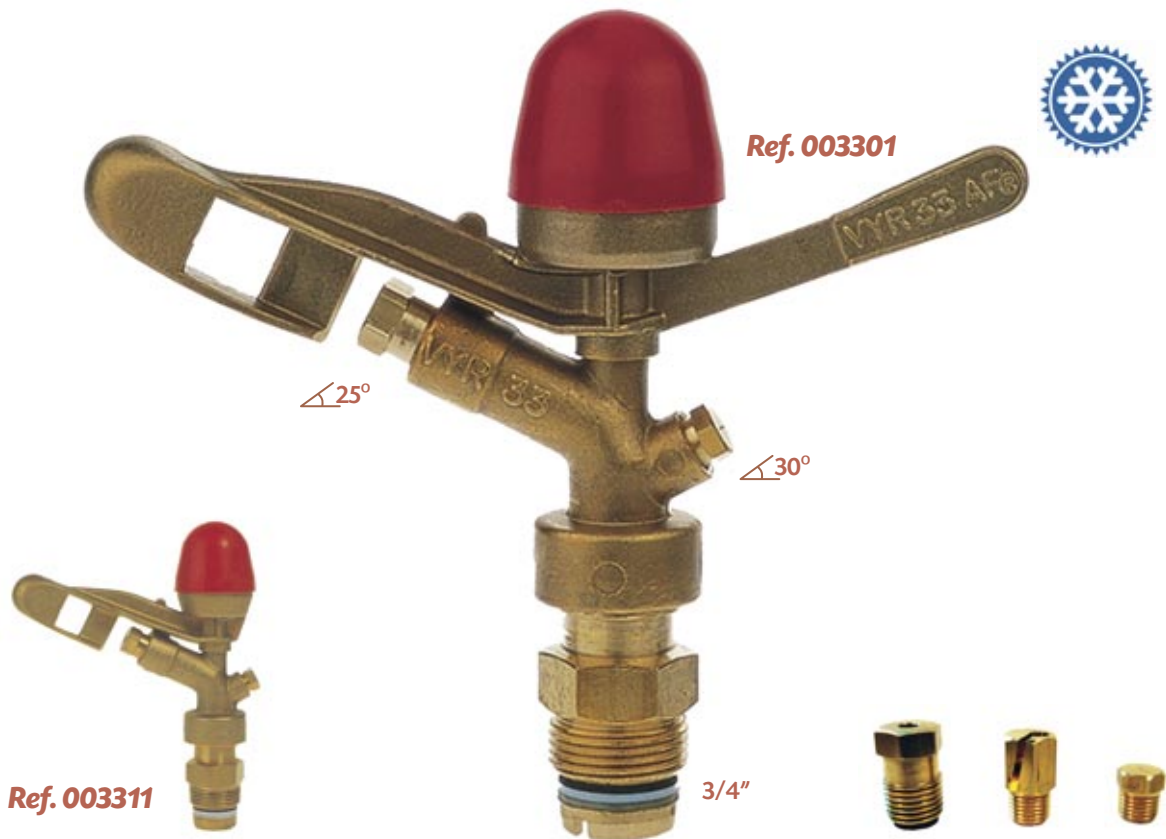
Long range nozzle (long vane) + short range nozzle

NOZZLE	4 x 2,4 mm 5/32 x 3/32"		4,4 x 2,4 mm 11/64 x 3/32"		4,8 x 2,4 mm 3/16 x 3/32"		5,5 x 2,4 mm 7/32 x 3/32"	
	BAR PSI	L/H GPH Ø m Ø ft	L/H GPH Ø m Ø ft	L/H GPH Ø m Ø ft	L/H GPH Ø m Ø ft	L/H GPH Ø m Ø ft	L/H GPH Ø m Ø ft	
2	1150	27,5	1290	28	1560	30	1880	31
29	304	90	341	92	412	98	497	102
2,5	1310	28	1435	29	1750	31	2090	32,4
36	346	92	379	95	462	102	552	106
3	1420	29,5	1550	30	1920	32	2290	33,2
44	375	97	409	98	507	105	605	109
3,5	1530	30,6	1660	31,2	2050	33	2460	34
51	404	100	439	102	542	108	650	112
4	1630	31	1770	32,3	2180	34	2620	35,3
58	431	102	468	106	576	112	692	116
4,5	1720	31,2	1870	32,5	2300	34	2770	36
65	454	102	494	107	608	112	732	118
5	1800	31,8	1970	32,5	2430	34	2920	36
73	476	104	520	107	642	112	771	118

Standard Ø: Diameter range

- For optimum distribution avoid use in shady areas.
- Sprinklers will be supplied with standard nozzles unless otherwise specified.
- In order to calculate the flow, add the flows of the two nozzles. The range of the rear nozzle must be less than that of the main nozzle.
- These results has been obtained at indoor laboratory with 0 m/seg win velocity. Outdoor results may change range distances.

VYR-33 Anti-Frost



VYR-33 ANTI-FROST · Full Circle AG

GENERAL PROPERTIES:

- Medium flow agricultural impact sprinkler.
- ANTI-FROST protection cover.
- 3/4" male or female connection.
- Made of brass and stainless steel.
- High-resistance rotating joints.
- Nozzle angles of 25° and 30°
- Special design for ANTI-FROST irrigation using materials resistant to extreme conditions.

TECHNICAL SPECIFICATIONS:

- Range distance: 10 - 13,5 m / 33 - 44 ft.
- Flow: 900 - 2920 L/H / 237 - 770 GPH.
- Working pressure: 2,5 - 5 BAR / 36 - 72 PSI.
- Area: Full circle.
- Nozzles: Two nozzles: one main nozzle and a secondary deflector nozzle or plug.
- Trajectory angles: 25° and 30°
- Maximum stream height: 3.7 m / 12 ft.
- Rotation time: Depending on the pressure and the nozzles, the rotation will be constant and continuous.
- Uniformity coefficient higher than 90% in areas of 17x17R, 18x18T and 19x17T (meters)

APPLICATIONS:

- Horticultural plantations, cereals, tubers, leguminous plants and fruit trees. Designed to work in ANTI-FROST conditions.

MEASUREMENTS:

- Height: 15 cm / 5,9 in.
- Width: 17 cm / 6,7 in.
- Weight: 490 g / 1,1 Lbs.
- Units per box: 50

OPTIONS:

- Threads in BSP or NPT under demand.
- Models with short arm with male or female connection.
- Brass or plastic nozzles, depending on the customer's technical specifications.
- Secondary nozzle with deflector slot or plug.
- Assembled on a pressure regulator for self-compensation of pressure and flow.

MODELS:

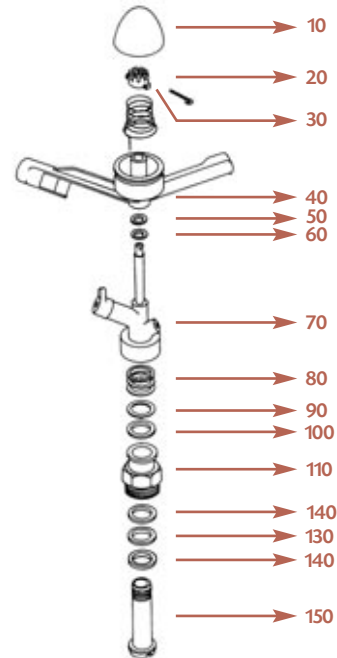
- Ref. 003301: 3/4" male thread.
- Ref. 003302: 3/4" female thread.
- Ref. 003311: 3/4" short arm male thread.
- Ref. 003312: 3/4" short arm female thread.

TABLES & PARTS

Technical guidance table VYR-33

NOZZLE	Spacing (m) / Precipit. rate (mm/h) Spacing (ft) / Precipit. rate (in/h)					
	BAR PSI	16x18 T	16x20 T	18x18 T	18x20 T	20x20 T
		53x59 T	53x66 T	59x59 T	59x66 T	66x66 T
4 mm 5/32"	3	3,6	3,3	3,2		
	44	0,14	0,13	0,13		
	3,5	3,9	3,5	3,5	3,1	
	51	0,15	0,14	0,14	0,12	
	4	4,2	3,8	3,7	3,4	3
	58	0,17	0,15	0,15	0,13	0,12
4,8 mm 3/16"	4,5	4,5	4	4	3,6	3,2
	65	0,18	0,16	0,16	0,14	0,13
	5	4,7	4,2	4,2	3,8	3,4
	73	0,19	0,17	0,17	0,15	0,13
	3	5,2	4,7	4,7	4,2	
	44	0,20	0,19	0,19	0,17	
4,8 x 2,4 mm 3/16" x 3/32"	3,5	5,7	5,1	5	4,5	4,1
	51	0,22	0,20	0,20	0,18	0,16
	4	6,1	5,4	4,5	4,8	4,4
	58	0,24	0,21	0,18	0,19	0,17
	4,5	6,4	5,8	5,7	5,1	4,6
	65	0,25	0,23	0,22	0,20	0,18
4,8 x 2,4 mm 3/16" x 3/32"	5	6,8	6,1	6	5,4	4,9
	73	0,27	0,24	0,24	0,21	0,19
	3	6,5	5,9	5,8	5,2	4,7
	44	0,26	0,23	0,23	0,20	0,19
	3,5	7,1	6,4	6,3	5,7	5,1
	51	0,28	0,25	0,25	0,22	0,20
4,8 x 2,4 mm 3/16" x 3/32"	4	7,6	6,8	6,7	6,1	5,4
	58	0,30	0,27	0,26	0,24	0,21
	4,5	8	7,2	7,1	6,4	5,8
	65	0,31	0,28	0,28	0,25	0,23
	5	8,5	7,6	7,5	6,8	6,1
	73	0,33	0,30	0,30	0,27	0,24

T: Triang. CU < 85% CU 85-88% CU 88-92% CU > 92%



Performance nozzle table VYR-33

Long range nozzle (long vane) + plug

NOZZLE	4 mm 5/32"		4,4 mm 11/64"		4,8 mm 3/16"		5,5 mm 7/32"	
	BAR PSI	L/H GPH Ø m Ø ft	L/H GPH Ø m Ø ft	L/H GPH Ø m Ø ft	L/H GPH Ø m Ø ft	L/H GPH Ø m Ø ft	L/H GPH Ø m Ø ft	
2	900	27,5	1000	28	1270	30	1630	31
29	238	90	264	92	335	98	431	102
2,5	980	28	1140	29	1400	31	1795	32,4
36	259	92	301	95	370	102	474	106
3	1065	29,5	1225	30	1550	32	1960	33,2
44	281	97	324	98	409	105	518	109
3,5	1150	30,6	1295	31,2	1630	33	2095	34
51	304	100	342	102	431	108	553	112
4	1230	31	1390	32,3	1770	34	2220	35,3
58	325	102	367	106	468	112	586	116
4,5	1290	31,2	1445	32,5	1890	34	2340	36
65	341	102	382	107	499	112	618	118
5	1360	31,8	1510	32,5	1980	34	2470	36
73	359	104	399	107	523	112	653	118

Standard Ø: Diameter range

Long range nozzle (long vane) + short range nozzle

NOZZLE	4 x 2,4 mm 5/32 x 3/32"		4,4 x 2,4 mm 11/64 x 3/32"		4,8 x 2,4 mm 3/16 x 3/32"		5,5 x 2,4 mm 7/32 x 3/32"	
	BAR PSI	L/H GPH Ø m Ø ft	L/H GPH Ø m Ø ft	L/H GPH Ø m Ø ft	L/H GPH Ø m Ø ft	L/H GPH Ø m Ø ft	L/H GPH Ø m Ø ft	
2	1150	27,5	1290	28	1560	30	1880	31
29	304	90	341	92	412	98	497	102
2,5	1310	28	1435	29	1750	31	2090	32,4
36	346	92	379	95	462	102	552	106
3	1420	29,5	1550	30	1920	32	2290	33,2
44	375	97	409	98	507	105	605	109
3,5	1530	30,6	1660	31,2	2050	33	2460	34
51	404	100	439	102	542	108	650	112
4	1630	31	1770	32,3	2180	34	2620	35,3
58	431	102	468	106	576	112	692	116
4,5	1720	31,2	1870	32,5	2300	34	2770	36
65	454	102	494	107	608	112	732	118
5	1800	31,8	1970	32,5	2430	34	2920	36
73	476	104	520	107	642	112	771	118

Standard Ø: Diameter range

- For optimum distribution avoid use in shady areas.
- Sprinklers will be supplied with standard nozzles unless otherwise specified.
- In order to calculate the flow, add the flows of the two nozzles. The range of the rear nozzle must be less than that of the main nozzle.
- These results has been obtained at indoor laboratory with 0 m/seg win velocity. Outdoor results may change range distances.

Frost-protection irrigation

The sprinkler irrigation coverage method is the most efficient and reliable existing anti-freeze irrigation system. The **VYR-33** is the most widely used sprinkler and most versatile in the use of anti-frost irrigation.

The special physical and technical equipment and issuers are also special anti-frost irrigation, with materials like brass, steel and high strength plastics. Issuers are prepared to work with higher pressures than common sprinklers and they have protections in their torsion springs and rotary joints that these are never blocked by ice or other foreign matter.

The VYR-33 has these features that define a sprayer and also anti-freeze is justified in his long experience in the market. The solidity and robustness of VYR-33 together with the high quality of materials that has made us offer required confidence to use this model in a process as delicate as this in which their crops depend on proper functioning of this model.

Sprinkler irrigation with frost-protection coverage on the foliage of plants is the most widely used because this system best suited to most crops. The ice layer is produced on the flower in the future will yield the fruit is both protected by a layer of ice, thereby maintaining the latent heat from inside the plant and not allowing the cells are damaged wall of the flower, stem and / or fruit. Furthermore, the whole tree irrigation is unique in that through the formation of this layer of ice on the flower, while also protecting the pollen that bees need for the process of pollination. This is very important to always use the correct pressure, rather high, getting a very small drop. This small drop would not damage the flowers and also help faster freezing.

In most cases, damage caused by frost can be prevented by spraying the crops with water during periods of frost. Sprinkler irrigation on plant foliage is one of the most effective methods of preventing damage to delicate crops.

HOW IRRIGATION FOR FROST PROTECTION WORKS

This method is based on three factors:

1. Latent heat is released as water freezes. This latent heat prevents the temperature of the plants from dropping below the freezing point.
2. A mixture of ice and water exposed to below-freezing conditions stays around 0°C until it is completely frozen.
3. Plant sap is not pure water; therefore plants have a lower freezing point than 0°C (32°F). Most plants do not get damaged by frost until temperatures drop well below freezing.

IMPORTANT CONSIDERATIONS

Sprinkler rotation speed:

In order to maintain a stable temperature the sprinkler must rotate quickly. The sprinkler must complete a rotation in less than 30 seconds in order to be deemed quick enough (the ideal rotation speed is normally between 30 and 40 seconds).

Water application level:

The volume of water in relation to its application rate is one of the most important considerations when designing a frost protection irrigation system. The application rate is calculated after considering several factors, such as temperature, wind speed and humidity levels (see the table with minimum precipitation levels).

Wind can affect evaporation levels as well as uniformity, resulting in more water having to be applied in order to provide the same protection as in the absence of wind.

Uniformity:

An effective frost protection system depends on how the sprinkler distributes the water.

You must pay special attention when evaluating the spacing between sprinklers, operational pressures and conditions. An acceptable design should result in a Uniformity Coefficient equal to or greater than 84% and a Distribution Uniformity equal to or greater than 75%.

ADDITIONAL CONSIDERATIONS

Prolonged periods of frost and the application of frost protection irrigation may result in a significant accumulation of ice on the plants. The irrigation system should generally be started at around 2° C to prevent water from freezing inside the pipes.

SPECIFIC FROST PROTECTION

The reason for using specific frost protection is to reduce the protected area to just the plant crop. This allows the system to operate with reduced flow and pressure, saving you water and money.

CONCLUSIONS

A delicate crop can be destroyed by frost in just one night. The use of advanced irrigation systems for frost protection is an effective method for protecting your investment. Nevertheless, the correct design and use of these systems is very important for satisfactory results.

Minimum applications levels (fruit trees)					
Approx. minimum temperature (°C)	-3 a -4	-4 a -5	-5 a -6	-6 a -7	-7 a -8
Application rate (mm/h)	2.5	3	3.8	4.6	6.4



Sprinklers for Pivot irrigation

- VYR-3300 PIVOT SPRAYER.....Pg. 54
- VYR-3400 TURBO-ROTEC.....Pg. 56
- VYR-46Pg. 58
- VYR-19 PRESSURE REGULATORS.....Pg. 60
- VYR-160 / 144 / 100 GRILLO.....Pg. 61

VYR-3300 Pivot Sprayer



3/4"

GENERAL PROPERTIES:

- Modular diffuser sprinkler for inverted irrigation.
- Body made of POM male connection to 3/4 "
- EZ-FIT nozzle bodies, comprising an inner nozzle and a bayonet attachment.
- Diffuser plates with 6 different designs and angles for a uniform circular irrigation.
- Seal in thread included.



	TYPE OF PLATE	PROPERTIES	PRESSURE	ASSEMBLY	DIAMETER RANGE
	PEPG fluted plate thick flat	<ul style="list-style-type: none"> • Color: green. • Less number of jets and larger drops to reduce evapotranspiration. 	20 PSI 14 mca	OVER PIPE	 5,3 a 16,5
	PETG fluted plate triangular thick	<ul style="list-style-type: none"> • Color: grey. • It produces jets with different scopes and sizes of drops, for a better water distribution and a lower application rate. 	15 to 20 PSI 10,5 to 14 mca	OVER PIPE	 6,5 a 19,0
	PEPF fluted plate flat fine	<ul style="list-style-type: none"> • Color: black. • 34 flat jets, medium drops, less drift and evapotranspiration between thin plates with good reach and water distribution. 	10 to 20 PSI 7 to 14 mca	OVER PIPE OR PENDULAR	 5,2 a 13,8
	PECF fluted plate thin concave	<ul style="list-style-type: none"> • Color: blue. • 36 concave jets, fine drops with good irrigation radius due to their exit angle. Good distribution of water, but with restrictions for use in conditions of strong winds. 	10 to 20 PSI 7 to 14 mca	PENDULAR	 5,3 a 14,1
	PECVF fluted plate thin concave	<ul style="list-style-type: none"> • Color: white. • 36 convex jets, fine drops, less range than the PECF with less drift. Good distribution of water 	10 to 20 PSI 7 to 14 mca	PENDULAR	 5,1 a 13,1
	PLPL flat smooth plate	<ul style="list-style-type: none"> • Color: purple. • Very fine drops, used in very sensitive crops. Higher drift, evapotranspiration and shorter range. Not recommended in conditions of medium / strong winds. 	10 to 20 PSI 17 to 14 mca	PENDULAR	 5,0 a 12,9



PLATES AND NOZZLES - Pivot Irrigation Accesories

GENERAL PROPERTIES:

- Modular sprinklers for inverted irrigation.
- Body made of nylon with a male thread of 3/4 "
- EZ-FIT nozzle bodies, comprising an inner nozzle and a bayonet attachment.
- 36 different possible COMBINATIONS of nozzles.
- 6 fixed diffuser plate models with different designs and angles for a uniform circular irrigation.
- 2 models of rotating plates with silicone brake motor.
- Seal in thread included.
- Diameter of coverage varies between 5 and 9 meters.

APPLICATIONS:

- Diffuser for irrigation in PIVOT, RANGER or irrigation machines with similar characteristics.
- Irrigation in greenhouses.

MODELS:

Ref. 330001: Sprinkler body 3/4" male.
Ref.330008: Silicon rotational motor.

Ref. 330010: Violet plate.
Ref. 330011: White plate
Ref. 330012: Grey plate.
Ref. 330013: Green plate.
Ref. 330014: Blue plate.
Ref. 330015: Black plate.

Ref. 330030: Nozzle vane Violet .
Ref. 330031: Nozzle vane Black .
Ref. 330032: Nozzle vane Green .
Ref. 330033: Nozzle vane Red .
Ref. 330034: Nozzle vane Grey .
Ref. 330035: Nozzle vane Blue .
Ref. 330036: Nozzle vane Yellow.
Ref. 330037: Nozzle vane Orange.
Ref. 330038: Nozzle vane Brown.

NOZZLES: Look for color and references on next table on this page.



TABLES & PARTS

Vane	nozzle colour		ø nominal size (mm) in		working pressure									
	nozzle colour	REF.			7 mca		10,5 mca		14 mca		21 mca		28 mca	
			m³/h	GPH	m³/h	GPH	m³/h	GPH	m³/h	GPH	m³/h	GPH		
PURPLE	purple	104001	1,8	1/16"	0,11	29,0	0,13	34,3	0,15	39,6	0,18	47,5	0,21	55,4
	green	104002	2	5/64"	0,13	34,3	0,16	42,2	0,18	47,5	0,22	58,1	0,25	66,0
	red	104003	2,2	11/128"	0,15	39,6	0,19	50,2	0,22	58,1	0,26	68,6	0,30	79,2
	grey	104004	2,4	3/32"	0,18	47,5	0,22	58,1	0,26	68,6	0,31	81,8	0,36	95,0
	blue	104005	2,6	13/128"	0,22	58,1	0,26	68,6	0,30	79,2	0,36	95,0	0,42	110,9
	yellow	104006	2,8	7/64"	0,25	66,0	0,31	81,8	0,35	92,4	0,42	110,9	0,49	129,4
BLACK	green	104012	3	15/128"	0,29	76,6	0,35	92,4	0,40	105,6	0,48	126,7	0,56	147,8
	red	104013	3,2	1/8"	0,33	87,1	0,40	105,6	0,46	121,4	0,55	145,2	0,64	169,0
	grey	104014	3,4	17/128"	0,37	97,7	0,45	118,8	0,51	134,6	0,62	163,7	0,72	190,1
	blue	104015	3,6	9/64"	0,41	108,2	0,50	132,0	0,57	150,5	0,69	182,2	0,80	211,2
	yellow	104016	3,8	19/128"	0,46	121,4	0,56	147,8	0,64	169,0	0,77	203,3	0,90	237,6
GREEN	green	104022	4	5/32"	0,51	134,6	0,62	163,7	0,71	187,4	0,85	224,4	0,99	261,4
	red	104023	4,2	21/128"	0,56	147,8	0,68	179,5	0,78	205,9	0,94	248,2	1,09	287,8
	grey	104024	4,4	11/64"	0,61	161,0	0,75	198,0	0,85	224,4	1,05	277,2	1,20	316,8
	blue	104025	4,6	23/128"	0,66	174,2	0,82	216,5	0,93	245,5	1,14	301,0	1,31	345,8
	yellow	104026	4,8	3/16"	0,73	192,7	0,89	235,0	1,01	266,6	1,24	327,4	1,42	374,9
RED	green	104032	5	13/64"	0,79	208,6	0,96	253,4	1,11	293,0	1,33	351,1	1,55	409,2
	red	104033	5,2	27/128"	0,85	224,4	1,04	274,6	1,19	314,2	1,44	380,2	1,67	440,9
	grey	104034	5,4	7/32"	0,92	242,9	1,12	295,7	1,29	340,6	1,56	411,8	1,79	472,6
	blue	104035	5,6	29/128"	0,99	261,4	1,21	319,4	1,37	361,7	1,67	440,9	1,94	512,2
	yellow	104036	5,8	15/64"	1,06	279,8	1,30	343,2	1,47	388,1	1,79	472,6	2,08	549,1
GREY	green	104042	6	31/128"	1,16	306,2	1,37	361,7	1,57	414,5	1,93	509,5	2,23	588,7
	red	104043	6,2	1/4"	1,24	327,4	1,47	388,1	1,69	446,2	2,05	541,2	2,39	631,0
	grey	104044	6,4	33/128"	1,31	345,8	1,56	411,8	1,79	472,6	2,20	580,8	2,57	678,5
	blue	104045	6,6	17/64"	1,39	367,0	1,66	438,2	1,90	501,6	2,34	617,8	2,70	712,8
	yellow	104046	6,8	25/128"	1,48	390,7	1,76	464,6	2,03	535,9	2,49	657,4	2,88	760,3
BLUE	green	104052	7	9/32"	1,57	414,5	1,87	493,7	2,16	570,2	2,63	694,3	3,06	807,8
	red	104053	7,2	37/128"	1,66	438,2	1,98	522,7	2,29	604,6	2,78	733,9	3,24	855,4
	grey	104054	7,4	19/64"	1,75	462,0	2,09	551,8	2,43	641,5	2,99	789,4	3,45	910,8
	blue	104055	7,6	39/128"	1,84	485,8	2,20	580,8	2,53	667,9	3,10	818,4	3,55	937,2
	yellow	104056	7,8	5/16"	1,93	509,5	2,32	612,5	2,68	707,5	3,25	858,0	3,76	992,6
YELLOW	green	104052	8	41/128"	2,05	541,2	2,44	644,2	2,85	752,4	3,45	910,8	3,94	1040,2
	red	104053	8,4	43/128"	2,26	596,6	2,69	710,2	3,15	831,6	3,82	1008,5	4,38	1156,3
	grey	104054	8,8	45/128"	2,50	660,0	2,95	778,8	3,44	908,2	4,16	1098,2	4,80	1267,2
	blue	104055	9,2	47/128"	2,73	720,7	3,23	852,7	3,78	997,9	4,56	1203,8	5,25	1386,0
	yellow	104056	9,6	49/128"	2,97	784,1	3,51	926,6	4,12	1087,7	5,02	1325,3	5,70	1504,8
ORANGE	no nozzle		10	51/128"	3,15	831,6	3,85	1016,4	4,45	1174,8	5,39	1423,0	6,18	1631,5
BROWN	no nozzle		10,4	53/128"	3,40	897,6	4,17	1100,9	4,81	1269,8	5,83	1539,1	6,69	1766,2

VYR-3400 Turbo-Rotec



VYR-3400 TURBO-ROTEC · Full Circle for PIVOT

GENERAL PROPERTIES:

- Modular rotary sprinkler for inverted irrigation.
- Body manufactured in POM with male connection to 3/4"
- EZ-FIT nozzle holder system, consisting of an interior nozzle and an anchoring bayonet.
- 4 static diffuser plates with different designs and angles for a uniform circular irrigation.
- High strength rotating joints.
- Nozzles in codes of different colors.
- Irrigation bow: 360°
- Brake technology with silicone.

TECHNICAL SPECIFICATIONS:

- Range: 0.4 - 8.5 m
- Flow: 110 - 7770 L/H. Optional auto compensation!
- Working pressure: 1,2 - 3 BAR
- Nozzles: Bayonet with codes of different colors.
- Nozzle angle: Depends on plate.
- Maximum jet height: 0.3 m

APPLICATIONS :

- This low flow sprinkler is ideal for irrigation in areas with low pressure and flow. Its long-range design "wind cutter" makes the spacing between sprinklers can be up to 8 m.

MEASUREMENTS :

- Height: 6.5 cm
- Width: 8.0 cm
- Weight: 24 g
- Units per box: 200

MODELS:

- Ref. 003400: TURBO-ROTEC motor GREY, 3/4" M (no plate).
- Ref. 003401: TURBO-ROTEC motor BLACK, 3/4" M (no plate).

- Ref. 003420: RED PLATE, fluted under plane.
- Ref. 003421: YELLOW PLATE, thick triangular flute.
- Ref. 003422: ORANGE PLATE, thin flat fluted. (low press.)
- Ref. 003423: GREEN PLATE, fluted under plane (low press.)

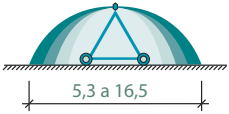
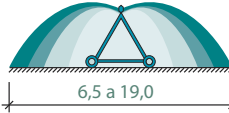
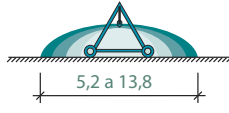
- Ref. 003430: Nozzle stand 3/4", 10 mm. PURPLE
- Ref. 003431: Nozzle stand 3/4", 10 mm. BLACK
- Ref. 003432: Nozzle stand 3/4", 10 mm. GREEN
- Ref. 003433: Nozzle stand 3/4", 10 mm. RED
- Ref. 003434: Nozzle stand 3/4", 10 mm. GREY
- Ref. 003435: Nozzle stand 3/4", 10 mm. BLUE
- Ref. 003436: Nozzle stand 3/4", 10 mm. YELLOW
- Ref. 003437: Nozzle stand 3/4", 10 mm. ORANGE
- Ref. 003438: Nozzle stand 3/4", 10 mm. BROWN










- Ref. 003440: Vane PURPLE
- Ref. 003441: Vane BLACK
- Ref. 003442: Vane GREEN
- Ref. 003443: Vane RED
- Ref. 003444: Vane GREY
- Ref. 003445: Vane BLUE
- Ref. 003446: Vane YELLOW
- Ref. 003447: Vane ORANGE
- Ref. 003448: Vane BROWN

NOZZLES: Look at next page for references.



TABLES & PARTS

TYPE OF PLATE	PROPERTIES	PRESSURE	ASSEMBLY	DIAMETER RANGE
PEPG fluted plate thick flat	<ul style="list-style-type: none"> Color: green. Less number of jets and larger drops to reduce evapotranspiration. 	20 PSI 14 mca	OVER PIPE	 5,3 a 16,5
PETG fluted plate triangular thick	<ul style="list-style-type: none"> Color: grey. It produces jets with different scopes and sizes of drops, for a better water distribution and a lower application rate. 	15 to 20 PSI 10,5 to 14 mca	OVER PIPE	 6,5 a 19,0
PEPF fluted plate flat fine	<ul style="list-style-type: none"> Color: black. 34 flat jets, medium drops, less drift and evapotranspiration between thin plates with good reach and water distribution. 	10 to 20 PSI 7 to 14 mca	OVER PIPE OR PENDULAR	 5,2 a 13,8

Vane	nozzle colour		nozzle	REF.	Ø nominal size (mm) in	working pressure									
	colour	REF.				7 mca		10,5 mca		14 mca		21 mca		28 mca	
						m³/h	GPH	m³/h	GPH	m³/h	GPH	m³/h	GPH	m³/h	GPH
	purple	104001	1,8	1/16"	0,11	29,0	0,13	34,3	0,15	39,6	0,18	47,5	0,21	55,4	
	green	104002	2	5/64"	0,13	34,3	0,16	42,2	0,18	47,5	0,22	58,1	0,25	66,0	
	red	104003	2,2	11/128"	0,15	39,6	0,19	50,2	0,22	58,1	0,26	68,6	0,30	79,2	
	grey	104004	2,4	3/32"	0,18	47,5	0,22	58,1	0,26	68,6	0,31	81,8	0,36	95,0	
	blue	104005	2,6	13/128"	0,22	58,1	0,26	68,6	0,30	79,2	0,36	95,0	0,42	110,9	
	green	104012	3	15/128"	0,29	76,6	0,35	92,4	0,40	105,6	0,48	126,7	0,56	147,8	
	red	104013	3,2	1/8"	0,33	87,1	0,40	105,6	0,46	121,4	0,55	145,2	0,64	169,0	
	grey	104014	3,4	17/128"	0,37	97,7	0,45	118,8	0,51	134,6	0,62	163,7	0,72	190,1	
	blue	104015	3,6	9/64"	0,41	108,2	0,50	132,0	0,57	150,5	0,69	182,2	0,80	211,2	
	yellow	104016	3,8	19/128"	0,46	121,4	0,56	147,8	0,64	169,0	0,77	203,3	0,90	237,6	
	green	104022	4	5/32"	0,51	134,6	0,62	163,7	0,71	187,4	0,85	224,4	0,99	261,4	
	red	104023	4,2	21/128"	0,56	147,8	0,68	179,5	0,78	205,9	0,94	248,2	1,09	287,8	
	grey	104024	4,4	11/64"	0,61	161,0	0,75	198,0	0,85	224,4	1,05	277,2	1,20	316,8	
	blue	104025	4,6	23/128"	0,66	174,2	0,82	216,5	0,93	245,5	1,14	301,0	1,31	345,8	
	yellow	104026	4,8	3/16"	0,73	192,7	0,89	235,0	1,01	266,6	1,24	327,4	1,42	374,9	
	green	104032	5	13/64"	0,79	208,6	0,96	253,4	1,11	293,0	1,33	351,1	1,55	409,2	
	red	104033	5,2	27/128"	0,85	224,4	1,04	274,6	1,19	314,2	1,44	380,2	1,67	440,9	
	grey	104034	5,4	7/32"	0,92	242,9	1,12	295,7	1,29	340,6	1,56	411,8	1,79	472,6	
	blue	104035	5,6	29/128"	0,99	261,4	1,21	319,4	1,37	361,7	1,67	440,9	1,94	512,2	
	yellow	104036	5,8	15/64"	1,06	279,8	1,30	343,2	1,47	388,1	1,79	472,6	2,08	549,1	
	green	104042	6	31/128"	1,16	306,2	1,37	361,7	1,57	414,5	1,93	509,5	2,23	588,7	
	red	104043	6,2	1/4"	1,24	327,4	1,47	388,1	1,69	446,2	2,05	541,2	2,39	631,0	
	grey	104044	6,4	33/128"	1,31	345,8	1,56	411,8	1,79	472,6	2,20	580,8	2,57	678,5	
	blue	104045	6,6	17/64"	1,39	367,0	1,66	438,2	1,90	501,6	2,34	617,8	2,70	712,8	
	yellow	104046	6,8	25/128"	1,48	390,7	1,76	464,6	2,03	535,9	2,49	657,4	2,88	760,3	
	green	104052	7	9/32"	1,57	414,5	1,87	493,7	2,16	570,2	2,63	694,3	3,06	807,8	
	red	104053	7,2	37/128"	1,66	438,2	1,98	522,7	2,29	604,6	2,78	733,9	3,24	855,4	
	grey	104054	7,4	19/64"	1,75	462,0	2,09	551,8	2,43	641,5	2,99	789,4	3,45	910,8	
	blue	104055	7,6	39/128"	1,84	485,8	2,20	580,8	2,53	667,9	3,10	818,4	3,55	937,2	
	yellow	104056	7,8	5/16"	1,93	509,5	2,32	612,5	2,68	707,5	3,25	858,0	3,76	992,6	
	green	104052	8	41/128"	2,05	541,2	2,44	644,2	2,85	752,4	3,45	910,8	3,94	1040,2	
	red	104053	8,4	43/128"	2,26	596,6	2,69	710,2	3,15	831,6	3,82	1008,5	4,38	1156,3	
	grey	104054	8,8	45/128"	2,50	660,0	2,95	778,8	3,44	908,2	4,16	1098,2	4,80	1267,2	
	blue	104055	9,2	47/128"	2,73	720,7	3,23	852,7	3,78	997,9	4,56	1203,8	5,25	1386,0	
	yellow	104056	9,6	49/128"	2,97	784,1	3,51	926,6	4,12	1087,7	5,02	1325,3	5,70	1504,8	
ORANGE	no nozzle		10	51/128"	3,15	831,6	3,85	1016,4	4,45	1174,8	5,39	1423,0	6,18	1631,5	
BROWN	no nozzle		10,4	53/128"	3,40	897,6	4,17	1100,9	4,81	1269,8	5,83	1539,1	6,69	1766,2	



VYR-46



VYR-46 · Full circle AG

GENERAL PROPERTIES:

- Medium flow and low angle agricultural impact sprinkler low angle "WIND FIGHTER".
- 3/4" male or female connection.
- Made of plastic, brass and stainless steel.
- High-resistance rotating joints.
- Nozzle angles of 7° and 7°
- Specially designed for greater reach on Pivots, windy areas or under-tree irrigation.

TECHNICAL SPECIFICATIONS:

- Range distance: 11.5 - 15.5 m / 38-51 ft.
- Flow: 310 - 3520 L/H / 82 - 930 GPH.
- Working pressure: 1.75 - 4.5 BAR / 25 - 65 PSI.
- Area: Full circle.
- Nozzles: Two nozzles: one main nozzle and a secondary nozzle or plug.
- Trajectory angles: 7° and 7°
- Maximum stream height: 1.2 m / 3,9 ft.
- Rotation time: Depending on the pressure and the nozzles, the rotation will be constant and continuous.

APPLICATIONS:

- PIVOT irrigation.
- Strong wind areas irrigation.
- Horticultural plantations, cereals, tubers, leguminous plants and fruit trees.

MEASUREMENTS:

- Height: 14 cm / 5,5 in.
- Width: 19 cm / 7,5 in.
- Weight: 190 g / 0,42 Lbs.
- Units per box: 50

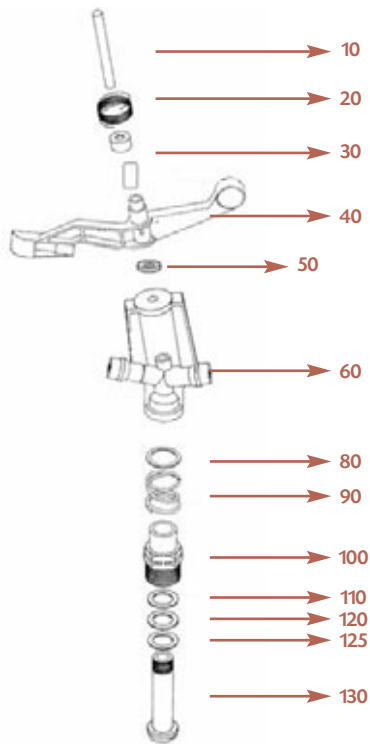
OPTIONS:

- Threads in BSP or NPT under demand.
- Secondary nozzle similar to the main nozzle.
- Connection coupling in plastic or brass.
- Assembled on a pressure regulator for self-compensation of pressure and flow.

MODELS:

- Ref. 004600: With plastic base.
- Ref. 004601: With brass male base.
- Ref. 004602: With brass female base.

TABLES & PARTS



Performance nozzle table VYR-46

Long range nozzle (long vane) + short range nozzle

NOZZLE	4 x 2,4 mm 5/32 x 3/32"		4,4 x 2,4 mm 11/64 x 3/32"		4,8 x 2,4 mm 3/16 x 3/32"		5,5 x 2,4 mm 7/32 x 3/32"	
	BAR PSI	L/H GPH Ø m Ø ft	L/H GPH Ø m Ø ft	L/H GPH Ø m Ø ft	L/H GPH Ø m Ø ft	L/H GPH Ø m Ø ft	L/H GPH Ø m Ø ft	L/H GPH Ø m Ø ft
2	1150	23	1290	23	1560	23	1880	23
29	304	76	341	76	412	76	497	76
2,5	1310	24	1435	24	1750	24	2090	24
36	346	79	379	79	462	79	552	79
3	1420	24	1550	24	1920	24	2290	24
44	375	79	409	79	507	79	605	79
3,5	1530	25	1660	25	2050	25	2460	25
51	404	82	439	82	542	82	650	82
4	1630	26	1770	26	2180	26	2620	26
58	431	85	468	85	576	85	692	85
4,5	1720	26	1870	26	2300	26	2770	26
65	454	85	494	85	608	85	732	85
5	1800	26	1970	26	2430	26	2920	26
0	476	85	520	85	642	85	771	85

- For optimum distribution avoid use in shady areas.
- Sprinklers will be supplied with standard nozzles unless otherwise specified.
- In order to calculate the flow, add the flows of the two nozzles. The range of the rear nozzle must be less than that of the main nozzle.
- These results has been obtained at indoor laboratory with 0 m/sec win velocity. Outdoor results may change range distances.

Long range nozzle (long vane) + plug

NOZZLE	2,8 mm 7/64"		3,2 mm 1/8"		3,6 mm 9/64"		4 mm 5/32"		4,4 mm 11/64"		4,8 mm 3/16"		5,15 mm 13/64"		5,5 mm 7/32"		6 mm 15/64"		6,35 mm 1/4"		6,75 mm 17/64"	
	BAR PSI	L/H GPH Ø m Ø ft	L/H GPH Ø m Ø ft	L/H GPH Ø m Ø ft	L/H GPH Ø m Ø ft	L/H GPH Ø m Ø ft	L/H GPH Ø m Ø ft	L/H GPH Ø m Ø ft	L/H GPH Ø m Ø ft	L/H GPH Ø m Ø ft	L/H GPH Ø m Ø ft	L/H GPH Ø m Ø ft	L/H GPH Ø m Ø ft	L/H GPH Ø m Ø ft	L/H GPH Ø m Ø ft	L/H GPH Ø m Ø ft	L/H GPH Ø m Ø ft	L/H GPH Ø m Ø ft	L/H GPH Ø m Ø ft	L/H GPH Ø m Ø ft	L/H GPH Ø m Ø ft	
1	310	23	400	23	510	23																
15	82	75	106	75	135	75																
1,5	380	24	500	25	620	25																
22	100	79	132	82	164	82																
2	440	25,5	560	26	710	26,5																
29	116	84	148	85	188	87																
2,5	480	26	630	26,5	780	27,5	950	23	1140	23	1360	24	1610	24,5	1880	25	2150	26	2450	26	2750	27
36	127	85	166	87	206	90	251	75	301	75	359	79	425	80	497	82	568	85	647	85	726	89
3	520	27	680	27,5	850	28	1050	24,5	1300	25	1530	25,5	1800	26	2090	27,5	2400	27	2700	27,5	3020	28
44	137	89	180	90	225	92	277	80	343	82	404	84	476	85	552	90	634	89	713	90	798	92
3,5	550	28	720	28	920	28,5	1140	26	1360	26	1650	26,5	1940	27	2250	28	2570	28	2950	28,5	3300	29,5
51	145	92	190	92	243	94	301	85	359	85	436	87	512	89	594	92	679	92	779	94	872	97
4							1200	25	1470	27	1750	27,5	2050	28	2400	28,5	2750	29	3150	30	3520	30,5
58							317	82	388	89	462	90	542	92	634	94	726	95	832	98	930	100

 Standard  Diameter range

VYR-19 PR

Pressure regulators

SEE PAGE 183 FOR MORE INFORMATION

GENERAL PROPERTIES:

- Pressure regulators for agriculture professionals.
- Made of special plastics, rubber and stainless steel.
- Designed with transverse and longitudinal reinforcements make this range of pressure regulators, one of the toughest market to the high pressures and water hammer.
- Thread 3/4 "H x 3/4" H (NPT/BSP).
- Stainless steel spring high quality strongly continuous and homogeneous.
- Flow rate of 0.12 to 2.8 m³/h
- Maximum Working Pressure 10 BAR / 150 PSI.

Ref. 101930: VYR-19, 3/4", 30 PSI / 2.07 BAR

Ref. 101910: VYR-19, 3/4", 10 PSI / 0.70 BAR

Ref. 101940: VYR-19, 3/4", 40 PSI / 2.76 BAR

Ref. 101920: VYR-19, 3/4", 20 PSI / 1.38 BAR

Ref. 101950: VYR-19, 3/4", 50 PSI / 3.45 BAR

Ref. 101925: VYR-19, 3/4", 25 PSI / 1.73 BAR

Ref. 111910: VYR-19, 3/4" x 1/2", 10 PSI / 0,70 BAR

Ref. 111920: VYR-19, 3/4" x 1/2", 20 PSI / 1,38 BAR

Ref. 111925: VYR-19, 3/4" x 1/2", 25 PSI / 1,73 BAR

Ref. 111930: VYR-19, 3/4" x 1/2", 30 PSI / 2,07 BAR

Ref. 111940: VYR-19, 3/4" x 1/2", 40 PSI / 2,76 BAR

Ref. 111950: VYR-19, 3/4" x 1/2", 50 PSI / 3,45 BAR

Ref. 101940



MODELS:

VYR-19 HPR

Pressure regulators

SEE PAGE 184 FOR MORE INFORMATION

GENERAL PROPERTIES:

- Professional pressure regulators for agricultural and industrial use.
- High performance and low flow in-line flow with fixed pressure regulation.
- Average flow rate of 0.4 - 4.5 m³ / hour (2 - 20 GPM).
- Connection 3/4" female in inlet and 3/4" female in outlet.
- Made of acetal resin.
- Spanish stainless steel spring and screws.
- High resistance EPDM membrane with mesh inserted to offer maximum durability.

MODELS:

Ref. 111906: 6 PSI / 0.41 BAR

Ref. 111910: 10 PSI / 0.70 BAR

Ref. 111920: 20 PSI / 1.38 BAR

Ref. 111925: 25 PSI / 1.73 BAR

Ref. 111930: 30 PSI / 2.07 BAR

Ref. 111940: 40 PSI / 2.76 BAR

Ref. 111950: 50 PSI / 3.45 BAR

Ref. 111930



VYR-1118

Hose connectors and weight

CARACTERÍSTICAS GENERALES:

- Connections 3/4 "with nut for tube placement pendulum.
- Made of high strength plastic.
- Connection 3/4 "male hose and spigot Express 20 mm.

MODELS:

Ref. 111820: 3/4" male for ø 20 mm hose

Ref. 111825: 3/4" female for ø 20 mm hose

Ref. 111845: Tubular weight with 3/4" M thread to Ø 20 mm hose connect.

Ref. 111845



Ref. 111825



Ref. 111820

VYR-160

Part Circle End-Gun Sprinklers

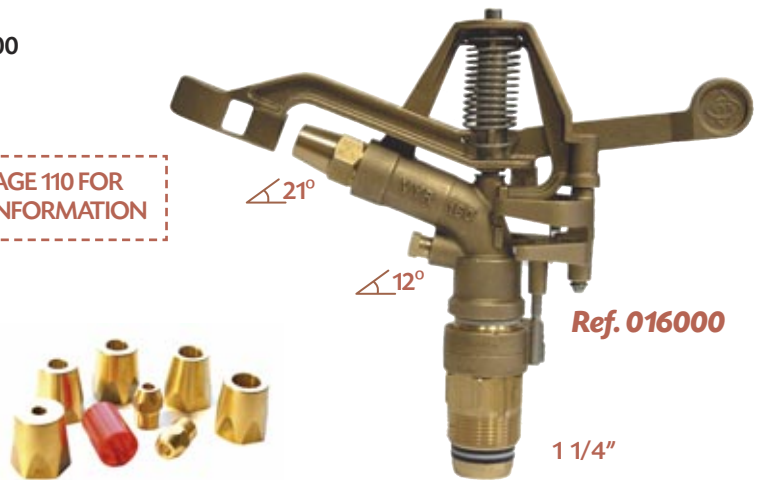
GENERAL PROPERTIES:

- Part circle agricultural impact sprinkler, high flow.
- 1 1/4" male connection.
- Made of brass and stainless steel.
- High-resistance rotating joints.
- Part circle mechanical system using clips that are very easy and quick to adjust.
- Reach: 79-118 ft. (24-36 m).
- Flow: 1640-7400 GPH (6.200 - 28.000 l/h).
- Working pressure: 44-73 PSI (3 - 5 BAR).
- Area: Part or full circle.
- Nozzles: One main long reach nozzle and a secondary short reach nozzle.
- Trajectory angles: 21° and 12°
- Maximum stream height: 11.5 ft. (3.5 m).

MODELS:

Ref. 016000

SEE PAGE 110 FOR MORE INFORMATION



VYR-144

Part Circle End-Gun Sprinklers

GENERAL PROPERTIES:

- Agricultural part-circle impact sprinkler with medium-high flow.
- 1 1/4" female connection.
- Made of aluminium, plastic and stainless steel.
- High-resistance rotating joints.
- Nozzle angles of 30° and 22°
- Reach: 53-85 ft. (16-26 m).
- Flow: 595-2850 GPH (2.250 - 10.800 l/h).
- Working pressure: 22-65 PSI (1.5 - 4.5 BAR).
- Area: Part or full circle.
- Nozzles: One main nozzle with built-in deflector pin, and a second short range deflector nozzle.
- Trajectory angles: 30° and 22°
- Maximum stream height: 18 ft. (5.5 m).

MODELS:

Ref. 014404

SEE PAGE 112 FOR MORE INFORMATION



VYR-100 Grillo

Part Circle End-Gun Sprinklers

GENERAL PROPERTIES:

- Turbine-driven Rain-Gun, high flow for agriculture.
- 2" female connection.
- Made of aluminium, brass, plastic and stainless steel.
- High-resistance rotating joints.
- Nozzle angle of 28°
- Special design for long reach.
- Reach: 82-125 ft. (25-38 m).

- Flow: 2245-7180 GPH (8.500 - 27.200 l/h).
- Working pressure: 36-65 PSI (2.5 - 4.5 BAR).
- Area: Part or full circle.
- Nozzles: One main multi-jet nozzle with built-in deflector pin.
- Trajectory angles: 28°
- Maximum stream height: 19 ft. (5.8 m).

MODELS:

Ref. 010000

SEE PAGE 116 FOR MORE INFORMATION



Special 18° nozzle for PIVOT end-gun





Agriculture

Medium - High Flow

MEDIUM FLOW "FULL CIRCLE"

- VYR-4000 RÖTEC	Pg. 64
- VYR-35	Pg. 66
- VYR-36	Pg. 68
- VYR-37	Pg. 70
- VYR-46	Pg. 72
- VYR-56	Pg. 74
- VYR-70	Pg. 76

HIGH FLOW "FULL CIRCLE"

- VYR-70 VC	Pg. 78
- VYR-70 VL	Pg. 80
- VYR-86	Pg. 82
- VYR-144 C	Pg. 84
- VYR-155	Pg. 86

VYR-4000 Rotec

Ref. 040001

*Re-design with SECTOR SCOUT
part-circle system!*



3/4" or 1/2"

VYR-4000 ROTEC · Full circle AG

GENERAL PROPERTIES:

- Agricultural rotor sprinkler for low pressure/flow irrigation with silicone engine technology.
- Patented 2-speed motor selector.
- **NEW SECTOR SCOUT SYSTEM** for a dynamic rotational movement of a geared body device for a full circle or part circle of 90° and 180°.
- 1/2" or 3/4" male connection.
- Made of super-resistant plastic with UV treatments.
- Rotating joints of high strength.
- Angles of nozzles are 25° and 15° degrees, and 8° or 12° for low angle plates.
- Special design for coverage irrigation at low pressures.
- Secondary plate deflector hole can be opened or plugged.

TECHNICAL SPECIFICATIONS:

- Range: 8 to 12 m / 26-40 ft.
- Flow rate: 660 - 2400 l / H / 174 - 634 GPH.
- Pressure: 1.8 to 4.5 BAR / 26 - 65 PSI.
- Sector: Circular or 180° degrees with the deflector.
- Nozzles: A nozzle plate with one or two outputs.
- Trajectory angles: 25° and 15°
- Maximum height jet of 2.3 m / 7,5 ft.
- Rotation time: Depending on the pressure and nozzles is uniform and continuous.
- Coefficient of Uniformity above 90% in frames of 10x12R, 12x12T, 12x15T, 15x 15R and 15x15T (meters).

OPTIONS:

- Pressure regulator VYR-19 to offset the pressures of your irrigation system.

MEASUREMENTS:

- Height: 9,5 cm / 3,7 in.
- Weight: 75 g / 0,16 Lbs
- Width: 6,5 cm / 2,6 in.
- Units per box: 50

APPLICATIONS:

- Horticultural plantations, cereals, tubers, legumes and fruit.

MODELS:

Motor Body

Ref. 040000: ROTEC motor-body black (slow).

Ref. 040001: ROTEC motor-body black (fast).

Nozzles

Ref. 440036: 3/4" nozzle GREY nozzle of 3.6 mm

Ref. 440040: 3/4" nozzle PURPLE nozzle of 4 mm

Ref. 440044: 3/4" nozzle GREEN nozzle of 4.4 mm

Ref. 440048: 3/4" nozzle BROWN nozzle of 4.8 mm

Ref. 440136: 1/2" nozzle GREY color of 3,6 mm

Ref. 440140: 1/2" nozzle PURPLE color of 4 mm

Ref. 440144: 1/2" nozzle GREEN color of 4,4 mm

Ref. 440148: 1/2" nozzle BROWN color of 4,8 mm

Plates 24°

Ref. 440000: GREY plate of 3.6 mm x plug

Ref. 440024: PURPLE plate of 3.6 x 2.4 mm

Ref. 440028: GREEN plate of 3.6 x 2.8 mm

Ref. 440031: BROWN plate of 3.6 x 3.1 mm

Low Angle Plates (under canopy)

Ref. 440108LA: Plato GRIS de 8°

Ref. 440112LA: Plato AMARILLO de 12°

Ref. 440208LA: Plato AZUL de 8° (CORTINA)

Ref. 440212LA: Plato NARANJA de 12° (CORTINA)

Accessories

Ref. 440190: Sector Scout Kit (90°-180°)

(*Only for GREY plates 24°)

Ref. 440017: Low range deflector.

(*Only for GREEN and BROWN plates 24°)

Ref. 440009: Fix Deflector 180°.





TABLES & PARTS

Technical guidance table VYR-4000

NOZZLE	Spacing (m) / Precipit. rate (mm/h) Spacing (ft) / Precipit. rate (in/h)							
	BAR PSI	10x12 T 32x39 T	12x12 39x39	12x12 T 39x39 T	12x15 39x49	12x15 T 39x49 T	15x15 T 49x49 T	
3,6 mm 9/64"	2	4,6	3,3	3,8	2,7	3,1	2,5	
	29	0,18	0,13	0,15	0,11	0,12	0,10	
	2,5	5,1	3,7	4,2	2,9	3,4	2,7	
	36	0,20	0,15	0,17	0,12	0,13	0,11	
4 mm 5/32"	3	5,5	4	4,6	3,2	3,7	2,9	
	44	0,22	0,16	0,18	0,13	0,15	0,11	
	2	6,7	4,8	5,6	3,9	4,5	3,6	
	29	0,26	0,19	0,22	0,15	0,18	0,14	
4,4 mm 11/64"	2,5	7,3	5,3	6,1	4,2	4,9	3,9	
	36	0,29	0,21	0,24	0,17	0,19	0,15	
	3	7,8	5,6	6,5	4,5	5,2	4,2	
	44	0,31	0,22	0,26	0,18	0,20	0,17	
4,8 mm 3/16"	2	9,4	6,8	7,8	5,4	6,3	5	
	29	0,37	0,27	0,31	0,21	0,25	0,20	
	2,5	10,2	7,4	8,5	5,9	6,8	5,5	
	36	0,40	0,29	0,33	0,23	0,27	0,22	
4,8 mm 3/16"	3	10,8	7,8	9	6,2	7,2	5,8	
	44	0,43	0,31	0,35	0,24	0,28	0,23	
	2	11,5	8,3	9,6	6,7	7,7	6,2	
	29	0,45	0,33	0,38	0,26	0,30	0,24	
4,8 mm 3/16"	2,5	12,5	9	10,4	7,2	8,4	6,7	
	36	0,49	0,35	0,41	0,28	0,33	0,26	
	3	14,4	10,4	12	8,3	9,6	7,7	
	44	0,57	0,41	0,47	0,33	0,38	0,30	

T: Triang. CU < 85% CU 85-88% CU 88-92% CU > 92%

Deflector 180°



Performance nozzle table VYR-4000

R- : Range distance

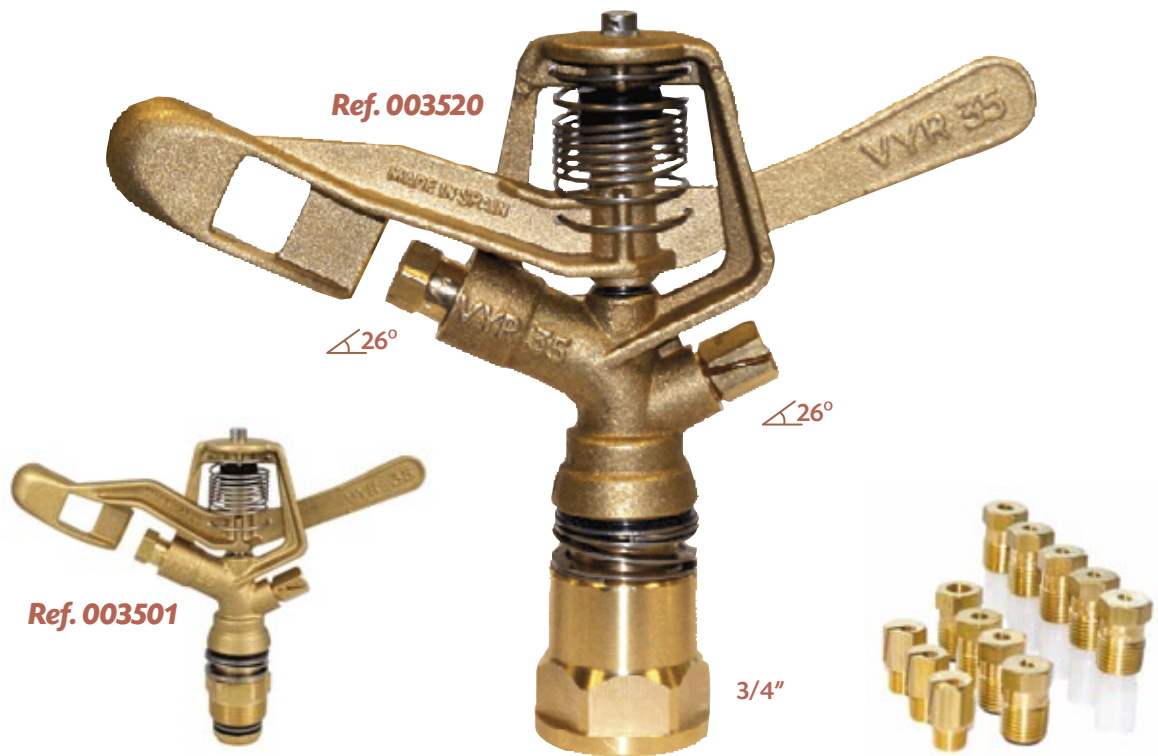
MOTOR	1,8 - 3 BAR down		3 - 4,5 up		1,8 - 3 BAR down		3 - 4,5 up	
	L / H GPH	R- m R- ft	L / H GPH	R- m R- ft	L / H GPH	R- m R- ft	L / H GPH	R- m R- ft
PLATE	25° - 5 mm		25° - 5 x 2,4 mm		25° 15° - 5 x 2,8 mm		27° 15° - 5 x 3,1 mm	
	3,6 mm 9/64"		4 mm 5/32"		4,4 mm 11/64"		4,8 mm 3/16"	
NOZZLE	3,6 mm 9/64"		4 mm 5/32"		4,4 mm 11/64"		4,8 mm 3/16"	
	2	480	11	696	11	978	12	1200
	29	127	36	184	36	258	39,5	317
	2,5	510	11	756	11	1062	12	1308
	36	135	36	200	36	280	39,5	345
	3	570	11	810	11	1122	12	1500
	44	150	36	214	36	296	39,5	396



Low range deflectors for high coverage plates GREEN and BROWN

- Sprinklers will be supplied with standard nozzles unless otherwise specified.
- In order to calculate the flow, add the flows of the two nozzles. The range of the rear nozzle must be less than that of the main nozzle.
- These results has benn obtained at indoor laboratory with 0 m/seg win velocity. Outdoor results may change range distances.

VYR-35



VYR-35 · Full circle AG

GENERAL PROPERTIES:

- Medium flow agricultural impact sprinkler.
- 3/4" male or female connection.
- Made of brass and stainless steel.
- High-resistance rotating joints.
- Nozzle angles of 26° and 26°
- Designed for full coverage irrigation offering best compliance with spacing standards in the market.
- Leading sprinkler in the agricultural market.

TECHNICAL SPECIFICATIONS:

- Range distance: 13 - 18 m / 43-60 ft.
- Flow: 660 - 3270 L/H / 175-864 GPH
- Working pressure: 1,75 - 4,5 BAR / 25-65 PSI.
- Area: Full circle.
- Nozzles: Two nozzles: one main nozzle and a secondary deflector nozzle or plug.
- Trajectory angles: 26° and 26°
- Maximum stream height: 4,2 m / 14 ft.
- Rotation time: Depending on the pressure and the nozzles, the rotation will be constant and continuous.
- Uniformity coefficient higher than 90% in areas of 18x18R, 15x18T and 18x18T (meters).

APPLICATIONS:

- This model is compatible with almost any type of crop and with a wide range of pluviometric and spacing conditions, suitable for a large number of different crop types.
- Horticultural plantations, cereals, tubers, leguminous plants and fruit trees.

MEASUREMENTS:

- Height: 14 cm / 5,5 in.
- Width: 17 cm / 6,7 in.
- Weight: 430 g / 0,95 Lbs.
- Units per box: 50

OPTIONS:

- Threads in BSP or NPT under demand.
- Brass or plastic nozzles, depending on the customer's technical specifications.
- Secondary nozzle with deflector slot or plug.
- Assembled on a pressure regulator for self-compensation of pressure and flow.

MODELS:

- Ref. 003501: 3/4" male.
- Ref. 003520: 3/4" female.

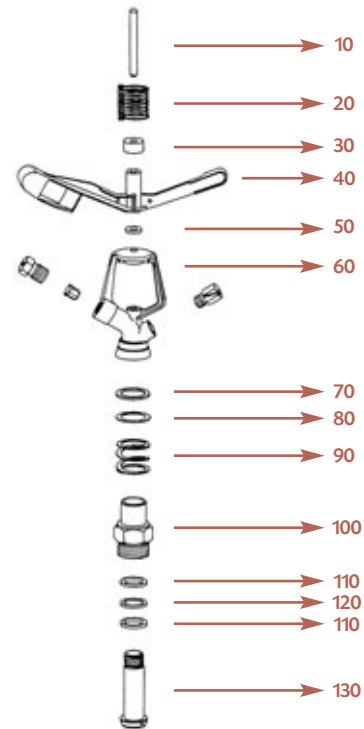


TABLES & PARTS

Technical guidance table VYR-35

NOZZLE	Spacing (m) / Precipit. rate (mm/h) Spacing (ft) / Precipit. rate (in/h)						
	BAR PSI	12x15 T 40x50 T	15x15 T 50x50 T	15x18 T 50x60 T	18x18 T 60x60 T	18x20 T 60x66 T	20x20 66x66
4,2,4 mm 5/32" x 3/32"	3	9,9	7,9	6,3	5,9	4,3	4,4
	44	0,39	0,31	0,25	0,23	0,17	0,17
	3,5	10,7	8,6	6,8	6,3	4,7	4,8
	51	0,42	0,34	0,27	0,25	0,19	0,19
	4	11,4	9,1	7,3	6,8	5	5,1
	58	0,45	0,36	0,29	0,27	0,20	0,20
4,4 x 2,4 mm 11/64" x 3/32"	5	11,9	9,6	7,8	7,3	5,5	5
	73	0,47	0,38	0,31	0,29	0,22	0,20
	3	11,2	9	7,4	6,8	5,1	5,2
	44	0,44	0,35	0,29	0,27	0,20	0,20
	3,5	12,3	9,9	7,9	7,3	5,4	5,5
	51	0,48	0,39	0,31	0,29	0,21	0,22
4,8 x 3,2 mm 3/16" x 1/8"	4	13,2	10,6	8,4	7,8	5,8	5,9
	58	0,52	0,42	0,33	0,31	0,23	0,23
	5	13,8	11,2	9	8,4	6,4	6,5
	73	0,54	0,44	0,35	0,33	0,25	0,26
	3	13,1	10,5	8,4	7,7	5,7	5,8
	44	0,52	0,41	0,33	0,30	0,22	0,23
5,2 x 3,2 mm 13/64" x 1/8"	3,5	14,2	11,3	9,1	8,4	6,2	6,3
	51	0,56	0,44	0,36	0,33	0,24	0,25
	4	15,1	12,1	9,7	8,9	6,6	6,7
	58	0,59	0,48	0,38	0,35	0,26	0,26
	5	15,7	12,7	10,4	9,6	7,3	7,4
	73	0,62	0,50	0,41	0,38	0,29	0,29
5,2 x 3,2 mm 13/64" x 1/8"	3	17,4	13,8	10,8	9,7	7,1	7,2
	44	0,69	0,54	0,43	0,38	0,28	0,28
	3,5	18,3	14,7	11,7	10,8	8	8,1
	51	0,72	0,58	0,46	0,43	0,31	0,32
	4	19,6	15,7	12,5	11,6	8,6	8,7
	58	0,77	0,62	0,49	0,46	0,34	0,34
5,2 x 3,2 mm 13/64" x 1/8"	5	20,8	16,9	13,7	12,8	9,8	9,9
	73	0,82	0,67	0,54	0,50	0,39	0,39

T: Triang. CU < 85% CU 85-88% CU 88-92% CU > 92%



Performance nozzle table VYR-35

Long range nozzle (long vane) + plug

Standard Ø: Diameter range

NOZZLE	3,2 mm 17/128"		3,6 mm 9/64"		4 mm 5/32"		4,4 mm 11/64"		4,8 mm 3/16"		5,2 mm 13/64"		5,6 mm 7/32"	
	BAR PSI	L/H GPH	Ø m Ø ft	L/H GPH	Ø m Ø ft	L/H GPH	Ø m Ø ft	L/H GPH	Ø m Ø ft	L/H GPH	Ø m Ø ft	L/H GPH	Ø m Ø ft	L/H GPH
2,5	620	26	790	26,5	1970	27,5	1160	30	1390	32	1640	32,5	1720	34
36	164	85	209	87	520	90	306	98	367	105	433	107	454	112
3	680	26	860	26,5	1050	28	1270	30,5	1510	32	1790	33,5	1880	35
44	180	85	227	87	277	92	335	100	399	105	473	110	497	115
3,5	740	26,5	930	27	1140	29,5	1380	31,5	1640	33	1930	34,5	2140	36
51	195	87	246	89	301	97	365	103	433	108	510	113	565	118
4	790	26,5	1000	28	1220	29,5	1470	32,5	1750	34	2060	35,5	2240	37
58	209	87	264	92	322	97	388	107	462	112	544	116	592	121
4,5	840	27	1060	29	1290	30	1550	33,5	1860	35	2180	36	2410	38,5
65	222	89	280	95	341	98	409	110	491	115	576	118	637	126
5	880	27,5	1120	29,5	1360	30,5	1640	34	1960	36	2290	37,5	2520	39,5
73	232	90	296	97	100	100	433	112	518	118	605	123	666	130
5,5	930	28	1170	30	1430	31	1720	35	2060	36,5	2380	38	2640	40
80	246	92	309	98	378	102	454	115	544	120	629	125	697	131

(Sprinkler at 1 meter height)

- In shady areas is highly recommended the use of low pressure orange vane.
- Sprinklers will be supplied with standard nozzles unless otherwise specified.
- In order to calculate the flow, add the flows of the two nozzles. The range of the rear nozzle must be less than that of the main nozzle.
- These results has benn obtained at indoor laboratory with 0 m/seg win velocity. Outdoor results may change range distances.

Long range nozzle (long vane) + short range nozzle

NOZZLE	3,2 x 2,4 mm 1/8 x 3/32"		3,6 x 2,4 mm 9/64 x 3/32"		4 x 2,4 mm 5/32 x 3/32"		4,4 x 2,4 mm 11/64" x 3/32"		4,8 x 2,8 mm 3/16" x 7/64"		4,8 x 3,2 mm 3/16 x 17/128"		5,2 x 3,2 mm 13/64" x 17/128"		5,6 x 3,2 mm 7/32 x 17/128"	
	BAR PSI	L/H GPH	Ø m Ø ft	L/H GPH	Ø m Ø ft	L/H GPH	Ø m Ø ft	L/H GPH	Ø m Ø ft	L/H GPH	Ø m Ø ft	L/H GPH	Ø m Ø ft	L/H GPH	Ø m Ø ft	L/H GPH
2,5	980	26	1150	26,5	1320	27,5	1520	30	1895	32	2050	32	2310	32,5	2460	34
36	259	85	304	87	349	90	402	98	501	105	542	105	610	107	650	112
3	1070	26	1250	26,5	1450	28	1670	30,5	2100	32	2240	32	2520	33,5	2730	35
44	283	85	330	87	383	92	441	100	555	105	592	105	666	110	721	115
3,5	1160	26,5	1350	27	1560	29,5	1800	31,5	2255	33	2420	33	2720	34,5	2915	36
51	306	87	357	89	412	97	476	103	596	108	639	108	719	113	770	118
4	1240	26,5	1450	28	1670	29,5	1920	32,5	2400	34	2590	34	2910	35,5	3035	37
58	328	87	383	92	441	97	507	107	634	112	684	112	769	116	802	121
4,5	1320	27	1540	29	1770	30	2030	33,5	2545	35	2750	35	3070	36	3170	38,5
65	349	89	407	95	468	98	536	110	672	115	726	115	811	118	837	126
5	1360	27,5	1620	29,5	1870	30,5	2140	34	2680	36	2880	36	3230	37,5	3300	39,5
73	359	90	428	97	494	100	565	112	708	118	761	118	853	123	872	130
5,5	1460	28	1700	30	1960	31	2240	35	2810	36,5	3010	36,5	3360	38	3430	40
80	386	92	449	98	518	102	592	115	742	120	795	120	888	125	906	131

(Sprinkler at 1 meter height)



Nozzle set position at 21:00

VYR-36



VYR-36 · Agrícolas circulares

GENERAL PROPERTIES:

- Medium flow agricultural impact sprinkler.
- 3/4" male or female connection.
- Made of plastic and stainless steel.
- High-resistance rotating joints.
- Nozzle angles of 25° and 25°
- Used in full coverage irrigation with the best compliance with spacing standards in the market.
- Curved design of the internal angles of the body to avoid internal hydraulic turbulence and for greater reach.
- Nickel plating steel ball counterweights inserted in the arm.
- Plastic sprinkler, leader in the agricultural market.

TECHNICAL SPECIFICATIONS:

- Range distance: 13 - 18 m / 43-60 ft.
- Flow: 660 - 3270 L/H / 175-864 GPH
- Working pressure: 1,75 - 4,5 BAR / 25-65 PSI.
- Area: Full circle.
- Nozzles: Two nozzles: one main nozzle and a secondary deflector nozzle or plug.
- Trajectory angles: 25° and 25°
- Maximum stream height: 4 m / 14 ft.
- Rotation time: Depending on the pressure and the nozzles, the rotation will be constant and continuous.
- Uniformity coefficient higher than 90% in areas of 18x18R, 15x18T and 18x18T (meters).

APPLICATIONS:

- This model is compatible with almost any type of crop and with a wide range of pluviometric and spacing conditions, suitable for a large number of different crop types.
- Horticultural plantations, cereals, tubers, leguminous plants and fruit trees.

MEASUREMENTS:

- Height: 14 cm / 5,5 in.
- Width: 17 cm / 6,7 in.
- Weight: 178 g / 0,40 Lbs.
- Units per box: 100

OPTIONS:

- Threads in BSP or NPT under demand.
- Models with anti-frost cover with male or female connection.
- Brass or plastic nozzles, depending on the customer's technical specifications.
- Secondary nozzle with deflector slot or plug.
- Assembled on a pressure regulator for self-compensation of pressure and flow.

MODELS:

- Ref. 003600: 3/4" male.
- Ref. 003602: 3/4" female.
- Ref. 003620: 3/4" male, anti-frost.
- Ref. 003622: 3/4" female, anti-frost.



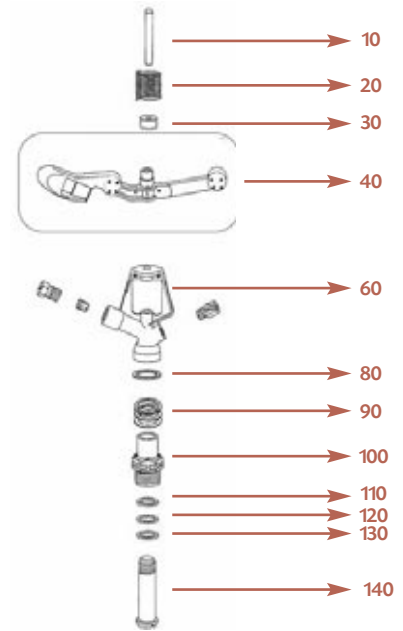


TABLES & PARTS

Technical guidance table VYR-36

NOZZLE	Spacing (m) / Precipit. rate (mm/h) Spacing (ft) / Precipit. rate (in/h)						
	BAR PSI	12x12 40x40	12x15 40x50	15x15 50x50	15x15 T 50x50 T	15x18 T 50x60 T	18x18 60x60
3,6 x 2,4 mm 9/64" x 3/32"	3	8,5	6,8	5,4	5	3,7	3,8
	44	0,33	0,27	0,21	0,20	0,15	0,15
	3,5	9,2	7,4	5,9	5,4	4	4,1
4 x 2,4 mm 5/32" x 3/32"	51	0,36	0,29	0,23	0,21	0,16	0,16
	4	9,8	7,9	6,3	5,8	4,3	4,4
	58	0,39	0,31	0,25	0,23	0,17	0,17
4,4 x 2,4 mm 11/64" x 3/32"	3	9,9	7,9	6,3	5,9	4,3	4,4
	44	0,39	0,31	0,25	0,23	0,17	0,17
	3,5	10,7	8,6	6,8	6,3	4,7	4,8
4,8 x 3,2 mm 3/16" x 1/8"	51	0,42	0,34	0,27	0,25	0,19	0,19
	4	11,4	9,1	7,1	6,8	5	5,1
	58	0,45	0,36	0,28	0,27	0,20	0,20
4,4 x 2,4 mm 11/64" x 3/32"	3	12,2	9,9	7,3	7	5,8	4,8
	44	0,48	0,39	0,29	0,28	0,23	0,19
	3,5	13,1	10,8	7,1	7,5	6	5
4,8 x 3,2 mm 3/16" x 1/8"	51	0,52	0,43	0,28	0,30	0,24	0,20
	4	14	11,9	8,3	8	7,2	5,4
	58	0,55	0,47	0,33	0,31	0,28	0,21
4,8 x 3,2 mm 3/16" x 1/8"	3	15,1	12,1	9,7	9	6,6	6,7
	44	0,59	0,48	0,38	0,35	0,26	0,26
	3,5	16,3	13,1	10,5	9,7	7,1	7,3
3/16" x 1/8"	51	0,64	0,52	0,41	0,38	0,28	0,29
	4	17,5	14	11,2	10,3	7,6	7,8
	58	0,69	0,55	0,44	0,41	0,30	0,31

T: Triang. CU < 85% CU 85-88% CU 88-92% CU > 92%



Performance nozzle table VYR-36

Long range nozzle (long vane) + plug

Standard Ø: Diameter range

NOZZLE	3,2 mm 17/128"		3,6 mm 9/64"		4 mm 5/32"		4,4 mm 11/64"		4,8 mm 3/16"		5,2 mm 13/64"		5,6 mm 7/32"	
	BAR PSI	L/H GPH	Ø m Ø ft	L/H GPH	Ø m Ø ft	L/H GPH	Ø m Ø ft	L/H GPH	Ø m Ø ft	L/H GPH	Ø m Ø ft	L/H GPH	Ø m Ø ft	L/H GPH
2	565	26	760	26,5	883	27,5	1069	28,5	1272	30	1493	31	1732	32
29	149	85	201	87	233	90	282	94	336	98	394	102	458	105
2,5	620	26	790	26,5	970	27,5	1160	29	1390	31	1640	31,5	1720	33
36	164	85	209	87	256	90	306	95	367	102	433	103	454	108
3	680	26	860	26,5	1050	28	1270	29,5	1510	32	1790	32,5	1880	34
44	180	85	227	87	277	92	335	97	399	105	473	107	497	112
3,5	740	26,5	930	27	1140	29,5	1380	31	1640	33	1930	33,5	2140	35
51	195	87	246	89	301	97	365	102	433	108	510	110	565	115
4	790	26,5	1000	28	1220	29,5	1470	32	1750	33,5	2060	34,5	2240	36
58	209	87	264	92	322	97	388	105	462	110	544	113	592	118
4,5	840	27	1060	29	1290	30	1550	32,5	1860	34	2180	35	2410	36,5
65	222	89	280	95	341	98	409	107	491	112	576	115	637	120
5	880	27,5	1120	29,5	1360	30,5	1640	33	1960	34,5	2290	35,5	2520	37,5
73	232	90	296	97	359	100	433	108	518	113	605	116	666	123
5,5	930	28	1170	30	1430	31	1720	34	2060	36	2380	36	2640	39
80	246	92	309	98	378	102	454	112	544	118	629	118	697	128

(Sprinkler at 1 meter height)

Long range nozzle (long vane) + short range nozzle

NOZZLE	2,8 x 2,4 mm 7/64 x 3/32"		3,2 x 2,4 mm 17/128 x 3/32"		3,6 x 2,4 mm 9/64 x 3/32"		4 x 2,4 mm 5/32 x 3/32"		4,4 x 2,4 mm 11/64 x 3/32"		4,4 x 2,8 mm 11/64 x 7/64"		4,8 x 2,4 mm 3/16 x 3/32"		4,8 x 2,8 mm 3/16 x 7/64"		4,8 x 3,2 mm 3/16 x 17/128"		5,2 x 3,2 mm 13/64 x 17/128"		5,6 x 3,2 mm 7/32 x 17/128"	
	BAR PSI	L/H GPH	Ø m Ø ft	L/H GPH	Ø m Ø ft	L/H GPH	Ø m Ø ft	L/H GPH	Ø m Ø ft	L/H GPH	Ø m Ø ft	L/H GPH	Ø m Ø ft	L/H GPH	Ø m Ø ft	L/H GPH	Ø m Ø ft	L/H GPH	Ø m Ø ft	L/H GPH	Ø m Ø ft	L/H GPH
2	700	23	883	26	1034	26,5	1201	27,5	1387	28,5	1502	28,5	1560	30	1705	30	1837	30	2058	31	2297	32
29	185	75	233	85	273	85	317	90	366	94	397	94	412	98	450	98	485	30	544	102	607	105
2,5	830	24	980	26	1150	26,5	1320	27,5	1520	29	1730	30,60	1750	31	1895	31	2050	31	2310	31,5	2460	33
36	219	79	259	85	304	87	349	90	402	95	457	100	462	102	501	102	542	102	610	103	650	108
3	900	24	1070	26	1250	26,5	1450	28	1670	29,5	1800	31,60	1920	32	2100	32	2240	32	2520	32,5	2730	34
44	238	79	283	85	330	87	383	92	441	97	476	104	507	105	555	105	592	105	666	107	721	112
3,5	965	24,5	1160	26,5	1350	27	1560	29,5	1800	31	1915	32	2050	33	2255	33	2420	33	2720	33,5	2915	35
51	255	80	316	87	350	89	412	97	476	102	506	105	542	108	596	108	639	108	719	110	770	115
4	1050	24,5	1240	26,5	1450	28	1670	29,5	1920	32	2070	32,4	2180	33,5	2400	33,5	2590	33,5	2910	34,5	3035	36
58	277	80	328	87	383	92	441	97	507	105	547	106	576	110	634	110	684	110	769	113	802	118
4,5	1100	25	1320	27	1540	29	1770	30	2030	32,5	2165	33	2300	34	2545	34	2750	34	3070	35	3170	36,5
65	291	82	349	89	407	95	468	98	536	107	572	108	608	112	672	112	726	112	811	115	837	120
5	1160	25,5	1360	27,5	1620	29,5	1870	30,5	2140	33	2300	33,4	2430	34,5	2680	34,5	2880	34,5	3230	35,5	3300	37,5
73	306	84	359	90	428	97	494	101	565	108	608	110	642	113	708	113	761	113	853	116	872	123
5,5	1200	26	1460	28	1700	30	1960	31	2240	34	2400	33,8	2510	36	2810	36	3010	36	3360	36	3430	39
80	317	85	386	92	449	98	518	102	592	112	634	111	663	118	742	118	795	118	888	118	906	128

(Sprinkler at 1 meter height)



- In shady areas is highly recommended the use of low pressure orange vane.
- Sprinklers will be supplied with standard nozzles unless otherwise specified.
- In order to calculate the flow, add the flows of the two nozzles. The range of the rear nozzle must be less than that of the main nozzle.
- These results has benn obtained at indoor laboratory with 0 m/seg win velocity. Outdoor results may change range distances.

VYR-37



VYR-37 · Full circle AG

GENERAL PROPERTIES:

- Medium flow agricultural impact sprinkler.
- 3/4" male or female connection.
- Colour-coded "click" bayonet nozzles.
- Made of plastic and stainless steel.
- High-resistance rotating joints.
- Nozzle angles of 25° and 25°
- Body specially designed for bayonet nozzles.
- Plastic sprinkler, leader in the agricultural market.

TECHNICAL SPECIFICATIONS:

- Range distance: 13 - 18 m / 43-60 ft.
- Flow: 660 - 3270 L/H / 175-864 GPH
- Working pressure: 1,75 - 4,5 BAR / 25-65 PSI.
- Area: Full circle.
- Nozzles: Two nozzles: one main nozzle and a secondary nozzle or plug.
- Trajectory angles: 25° and 25°
- Maximum stream height: 4.0 m / 13 ft.
- Rotation time: Depending on the pressure and the nozzles, the rotation will be constant and continuous.
- Uniformity coefficient higher than 90% in areas of 16x16R, 15x18T and 16x16T (meters).

Ref. 102660



Tool for bayonet nozzles

APPLICATIONS:

- This model is compatible with almost any type of crop and with a wide range of pluviometric and spacing conditions, suitable for a large number of different crop types.
- Horticultural plantations, cereals, tubers, leguminous plants and fruit trees.

MEASUREMENTS:

- Height: 14 cm / 5,5 in.
- Width: 17 cm / 6,7 in.
- Weight: 150 g / 0,33 Lbs.
- Units per box: 100

OPTIONS:

- Threads in BSP or NPT under demand.
- Models with male or female connection.
- Assembled on a pressure regulator for self-compensation of pressure and flow.

MODELS:

- Ref. 003701: Male, without weights.
- Ref. 003702: Female, without weights.
- Ref. 003703: Male + AF CONNECTION, without weights.
- Ref. 003704: Female + AF CONNECTION, without weights.

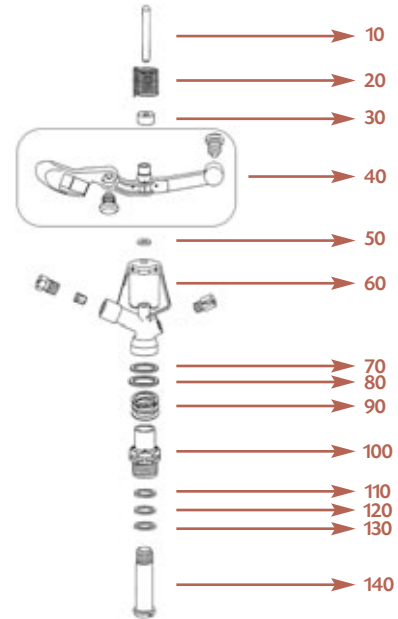
- Ref. 003711: Male, with weights.
- Ref. 003712: Female, with weights.
- Ref. 003713: Male + AF CONNECTION, with weights.
- Ref. 003714: Female + AF CONNECTION, with weights.

TABLES & PARTS

Technical guidance table VYR-37

NOZZLE	Spacing (m) / Precipit. rate (mm/h) Spacing (ft) / Precipit. rate (in/h)						
	BAR PSI	12x12 T 40x40 T	12x15 40x50	12x15 T 40x50 T	15x15 50x50	15x18 50x60	18x18 T 60x60 T
3,6 x 2,6 mm 9/64" x 3/32"	2	7,5	5,2	6	4,1	3,4	3,3
	29	0,30	0,20	0,24	0,16	0,13	0,13
	3	9,3	6,5	7,5	5,2	4,3	4,2
4 x 2,6 mm 5/32" x 3/32"	44	0,37	0,26	0,30	0,20	0,17	0,17
	4	9,6	6,7	7,7	5,3	4,4	4,3
	58	0,38	0,26	0,30	0,21	0,17	0,17
4,8 x 2,6 mm 3/16" x 3/32"	2	8,8	6,1	7	4,9	4	3,9
	29	0,35	0,24	0,28	0,19	0,16	0,15
	3	10,6	7,4	8,5	5,9	4,9	4,7
5/32" x 3/32"	44	0,42	0,29	0,33	0,23	0,19	0,19
	4	11,3	7,8	9	6,2	5,2	5
	58	0,44	0,31	0,35	0,24	0,20	0,20
4,8 x 2,6 mm 3/16" x 3/32"	2	11,3	7,9	9,1	6,3	5,2	5,1
	29	0,44	0,31	0,36	0,25	0,20	0,20
	3	14,2	9,8	11,3	7,9	6,6	6,3
3/16" x 3/32"	44	0,56	0,39	0,44	0,31	0,26	0,25
	4	15,6	10,8	12,5	8,7	7,2	6,9
	58	0,61	0,43	0,49	0,34	0,28	0,27

T: Triang. CU < 85% CU 85-88% CU 88-92% CU > 92%



Performance nozzle table VYR-37

Long range nozzle (long vane) + plug

Standard Ø: Diameter range

NOZZLE	3,6 mm 9/64"		4 mm 5/32"		4,4 mm 11/64"		4,8 mm 3/16"		5,2 mm 13/64"	
	L/H GPH	Ø m Ø ft	L/H GPH	Ø m Ø ft	L/H GPH	Ø m Ø ft	L/H GPH	Ø m Ø ft	L/H GPH	Ø m Ø ft
2	701	24	865	28	1047	28	1246	28	1462	28
29	185	78,7	228	91,8	276	91,8	329	91,8	386	91,8
2,5	784	25	967	28	1171	29	1393	29	1635	29
36	207	82,0	255	91,8	309	95,1	368	95,1	432	95,1
3	858	26	1060	28	1282	30	1526	30	1791	30
44	227	85,3	280	91,8	338	98,4	403	98,4	473	98,4
3,5	927	26	1145	28	1385	30	1648	30	1934	31
51	245	85,3	302	91,8	366	98,4	435	98,4	511	101,7
4	991	26	1224	28	1481	30	1762	30	2068	32
58	262	85,3	323	91,8	391	98,4	465	98,4	546	105,0
4,5	1051	26	1298	28	1570	30	1869	30	2193	32
65	277	85,3	343	91,8	414	98,4	493	98,4	579	105,0

(Sprinkler at 1 meter height)

Long range nozzle (long vane) + short range nozzle

NOZZLE	3,6 x 2,6 mm 9/64 x 3/32"		4 x 2,6 mm 5/32 x 3/32"		4,4 x 2,6 mm 11/64 x 3/32"		4,8 x 3,2 mm 3/16 x 17/128"		5,2 x 3,2 mm 13/64 x 17/128"	
	L/H GPH	Ø m Ø ft	L/H GPH	Ø m Ø ft	L/H GPH	Ø m Ø ft	L/H GPH	Ø m Ø ft	L/H GPH	Ø m Ø ft
2	930	24	1092	28	1188	28	1416	28	1626	28
29	246	78,7	288	91,8	314	91,8	374	91,8	429	91,8
2,5	1050	25	1207	28	1323	29	1598	29	1843	29
36	277	82,0	319	91,8	349	95,1	422	95,1	487	95,1
3	1164	26	1326	28	1464	30	1770	30	2070	30
44	307	85,3	350	91,8	386	98,4	467	98,4	546	98,4
3,5	1180	26	1360	28	1615	30	1862	30	2205	31
51	312	85,3	359	91,8	426	98,4	492	98,4	582	101,7
4	1200	26	1404	28	1770	30	1950	30	2340	32
58	317	85,3	371	91,8	467	98,4	515	98,4	618	105,0
4,5	1245	26	1450	28	1804	30	2030	30	2401	32
65	329	85,3	383	91,8	476	98,4	536	98,4	634	105,0

(Sprinkler at 1 meter height)

- For optimum distribution avoid use in shady areas.
- Sprinklers will be supplied with standard nozzles unless otherwise specified.
- In order to calculate the flow, add the flows of the two nozzles. The range of the rear nozzle must be less than that of the main nozzle.
- These results has benn obtained at indoor laboratory with 0 m/seg win velocity. Outdoor results may change range distances.

New low pressure arm



Deflector blade for low pressure.



New female reinforced record.



VYR-46



WIND-FIGHTER Design



Ref. 004600



Ref. 004601

3/4"



3/4"

VYR-46 · Full circle AG

GENERAL PROPERTIES:

- Medium flow and low angle agricultural impact sprinkler "WIND FIGHTER".
- 3/4" male or female connection.
- Made of plastic, brass and stainless steel.
- High-resistance rotating joints.
- Nozzle angles of 7° and 7°
- Specially designed for greater reach on Pivots, windy areas or under-tree irrigation.

TECHNICAL SPECIFICATIONS:

- Range distance: 11.5 - 15.5 m / 38-51 ft.
- Flow: 310 - 3520 L/H / 82 - 930 GPH.
- Working pressure: 1.75 - 4.5 BAR / 25 - 65 PSI.
- Area: Full circle.
- Nozzles: Two nozzles: one main nozzle and a secondary nozzle or plug.
- Trajectory angles: 7° and 7°
- Maximum stream height: 1.2 m / 3,9 ft.
- Rotation time: Depending on the pressure and the nozzles, the rotation will be constant and continuous.

APPLICATIONS:

- Horticultural plantations, cereals, tubers, leguminous plants and fruit trees.

MEASUREMENTS:

- Height: 14 cm / 5,5 in.
- Width: 19 cm / 7,5 in.
- Weight: 190 g / 0,42 Lbs.
- Units per box: 50

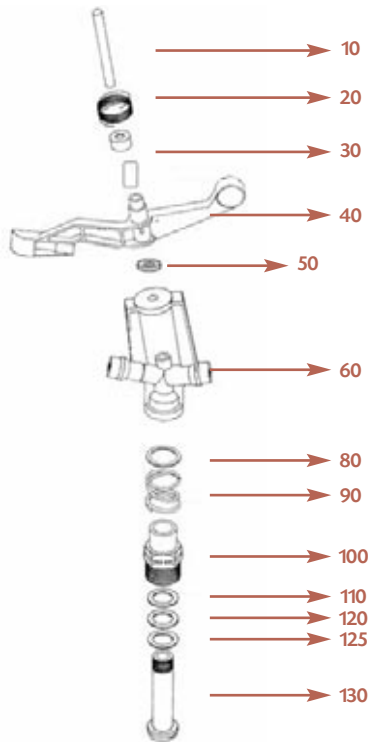
OPTIONS:

- Threads in BSP or NPT under demand.
- Secondary nozzle similar to the main nozzle.
- Connection coupling in plastic or brass.
- Assembled on a pressure regulator for self-compensation of pressure and flow.

MODELS:

- Ref. 004600: With plastic base.
- Ref. 004601: With brass male base.
- Ref. 004602: With brass female base.

TABLES & PARTS



Performance nozzle table VYR-46

Long range nozzle (long vane) + short range nozzle

NOZZLE	4 x 2,4 mm 5/32 x 3/32"		4,4 x 2,4 mm 11/64 x 3/32"		4,8 x 2,4 mm 3/16 x 3/32"		5,5 x 2,4 mm 7/32 x 3/32"	
	BAR PSI	L/H GPH Ø m Ø ft	L/H GPH Ø m Ø ft	L/H GPH Ø m Ø ft	L/H GPH Ø m Ø ft	L/H GPH Ø m Ø ft	L/H GPH Ø m Ø ft	L/H GPH Ø m Ø ft
2	1150	23	1290	23	1560	23	1880	23
29	304	76	341	76	412	76	497	76
2,5	1310	24	1435	24	1750	24	2090	24
36	346	79	379	79	462	79	552	79
3	1420	24	1550	24	1920	24	2290	24
44	375	79	409	79	507	79	605	79
3,5	1530	25	1660	25	2050	25	2460	25
51	404	82	439	82	542	82	650	82
4	1630	26	1770	26	2180	26	2620	26
58	431	85	468	85	576	85	692	85
4,5	1720	26	1870	26	2300	26	2770	26
65	454	85	494	85	608	85	732	85
5	1800	26	1970	26	2430	26	2920	26
58	476	85	520	85	642	85	771	85

(Sprinkler at 1 meter height)

- For optimum distribution avoid use in shady areas.
- Sprinklers will be supplied with standard nozzles unless otherwise specified.
- In order to calculate the flow, add the flows of the two nozzles. The range of the rear nozzle must be less than that of the main nozzle.
- These results has been obtained at indoor laboratory with 0 m/seg win velocity. Outdoor results may change range distances.

Long range nozzle (long vane) + plug

NOZZLE	2,8 mm 7/64"		3,2 mm 1/8"		3,6 mm 9/64"		4 mm 5/32"		4,4 mm 11/64"		4,8 mm 3/16"		5,2 mm 13/64"		5,5 mm 7/32"		6 mm 15/64"		6,4 mm 1/4"		6,8 mm 17/64"		
	BAR PSI	L/H GPH Ø m Ø ft	L/H GPH Ø m Ø ft	L/H GPH Ø m Ø ft	L/H GPH Ø m Ø ft	L/H GPH Ø m Ø ft	L/H GPH Ø m Ø ft	L/H GPH Ø m Ø ft	L/H GPH Ø m Ø ft	L/H GPH Ø m Ø ft	L/H GPH Ø m Ø ft	L/H GPH Ø m Ø ft	L/H GPH Ø m Ø ft	L/H GPH Ø m Ø ft	L/H GPH Ø m Ø ft	L/H GPH Ø m Ø ft	L/H GPH Ø m Ø ft	L/H GPH Ø m Ø ft	L/H GPH Ø m Ø ft	L/H GPH Ø m Ø ft	L/H GPH Ø m Ø ft	L/H GPH Ø m Ø ft	
1	310	23	400	23	510	23																	
15	82	75	106	75	135	75																	
1,5	380	24	500	25	620	25																	
22	100	79	132	82	164	82																	
2	440	25,5	560	26	710	26,5																	
29	116	84	148	85	188	87																	
2,5	480	26	630	26,5	780	27,5	950	23	1140	23	1360	24	1610	24,5	1880	25	2150	26	2450	26	2750	27	
36	127	85	166	87	206	90	251	75	301	75	359	79	425	80	497	82	568	85	647	85	726	89	
3	520	27	680	27,5	850	28	1050	24,5	1300	25	1530	25,5	1800	26	2090	27,5	2400	27	2700	27,5	3020	28	
44	137	89	180	90	225	92	277	80	343	82	404	84	476	85	552	90	634	89	713	90	798	92	
3,5	550	28	720	28	920	28,5	1140	26	1360	26	1650	26,5	1940	27	2250	28	2570	28	2950	28,5	3300	29,5	
51	145	92	190	92	243	94	301	85	359	85	436	87	512	89	594	92	679	92	779	94	872	97	
4							1200	25	1470	27	1750	27,5	2050	28	2400	28,5	2750	29	3150	30	3520	30,5	
58							317	82	388	89	462	90	542	92	634	94	726	95	832	98	930	100	

(Sprinkler at 1 meter height)

Standard Ø: Diameter range

VYR-56



VYR-56 · Agrícolas circulares

GENERAL PROPERTIES:

- Medium flow agricultural impact sprinkler.
- 3/4" male or female connection.
- Made of plastic and stainless steel.
- High-resistance rotating joints.
- Nozzle angles of 24° and 27°
- Special design for long reach.
- Used in full coverage irrigation with medium-high flow.

TECHNICAL SPECIFICATIONS:

- Range distance: 13 - 18 m. / 43 - 59 ft.
- Flow: 660 - 3270 L/H / 175-864 GPH
- Working pressure: 1,75 - 4,5 BAR / 25-65 PSI.
- Area: Full circle.
- Nozzles: Two nozzles: one main nozzle and a secondary deflector nozzle or plug.
- Trajectory angles: 24° and 27°
- Maximum stream height: 4,2 m / 14 ft.
- Rotation time: Depending on the pressure and the nozzles, the rotation will be constant and continuous.
- Uniformity coefficient higher than 90% in areas of 18x18R, 18x18T, 20x18T and 20x20T (metros).

APPLICATIONS:

- Horticultural plantations, cereals, tubers, leguminous plants and fruit trees.

MEASUREMENTS:

- Height: 14 cm / 5,5 in.
- Width: 19 cm / 7,5 in.
- Weight: 190 g / 0,42 Lbs.
- Units per box: 100

OPTIONS:

- Threads in BSP or NPT under demand.
- Secondary nozzle with deflector slot or plug.
- Assembled on a pressure regulator for self-compensation of pressure and flow.

MODELS:

- Ref. 005600: 3/4" male.
- Ref. 005620: 3/4" female.
- Ref. 005610: 3/4" macho +
- Ref. 005621: 3/4" hembra + capuchón AF.



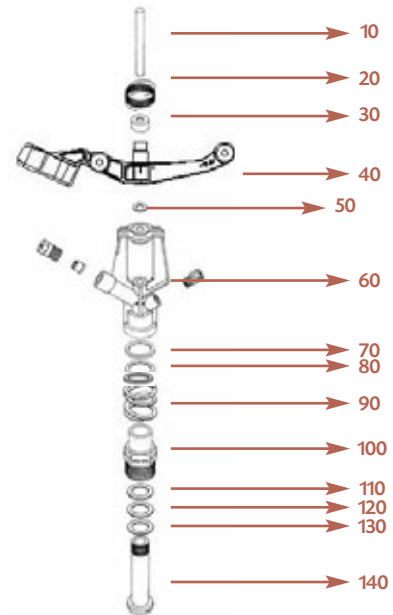


TABLES & PARTS

Technical guidance table VYR-56

NOZZLE	Spacing (m) / Precipit. rate (mm/h) Spacing (ft) / Precipit. rate (in/h)						
	BAR PSI	15x15 T 50x50 T	15x18 T 50x60 T	18x18 60x60	18x18 T 60x60 T	18x20 60x66	20x20 66x66
4 x 2,4 mm 5/32" x 3/32"	3	5,9	4,3	4,4	4,1	4	
	44	0,23	0,17	0,17	0,16	0,16	
5/32" x 3/32"	3,5	6,3	4,7	4,8	4,4	4,3	3,9
	51	0,25	0,19	0,19	0,17	0,17	0,15
4,4 x 2,4 mm 11/64" x 3/32"	4	6,8	5	5,1	4,7	4,6	4,1
	58	0,27	0,20	0,20	0,19	0,18	0,16
4,4 x 2,4 mm 11/64" x 3/32"	3	6,8	5	5,1	4,7	4,6	4,1
	44	0,27	0,20	0,20	0,19	0,18	0,16
11/64" x 3/32"	3,5	7,3	5,4	5,5	5,1	4,9	4,4
	51	0,29	0,21	0,22	0,20	0,19	0,17
4,8 x 3,2 mm 3/16" x 17/128"	4	7,8	5,8	5,9	5,4	5,3	4,8
	58	0,31	0,23	0,23	0,21	0,21	0,19
4,8 x 3,2 mm 3/16" x 17/128"	3	9	6,6	6,7	6,2	6,1	5,5
	44	0,35	0,26	0,26	0,24	0,24	0,22
3/16" x 17/128"	3,5	9,7	7,1	7,3	6,7	6,5	5,9
	51	0,38	0,28	0,29	0,26	0,26	0,23
3/16" x 17/128"	4	10,3	7,6	7,8	7,2	7	6,3
	58	0,41	0,30	0,31	0,28	0,28	0,25

T: Triang. CU < 85% CU 85-88% CU 88-92% CU > 92%



Performance nozzle table VYR-56

Long range nozzle (long vane) + plug

NOZZLE	3,2 mm 1/8"		3,6 mm 9/64"		4 mm 5/32"		4,4 mm 11/64"		4,8 mm 3/16"		5,2 mm 13/64"	
	BAR PSI	L/H GPH Ø ft	L/H GPH Ø ft	Ø m Ø ft	L/H GPH Ø ft	Ø m Ø ft	L/H GPH Ø ft	Ø m Ø ft	L/H GPH Ø ft	Ø m Ø ft	L/H GPH Ø ft	Ø m Ø ft
2,5	620	26,8	790	28,4	970	30,2	1160	31	1390	31,8	1640	32,6
36	164	88	209	93	256	99	306	102	367	104	433	107
3	680	27,4	860	28,8	1050	30,6	1270	31,8	1510	32,8	1790	33,8
44	180	90	227	94	277	100	335	104	399	108	473	111
3,5	740	27,8	930	29,4	1140	31,2	1380	32,4	1640	33,6	1930	34,8
51	195	91	246	96	301	102	365	106	433	110	510	114
4	790	28,2	1000	29,8	1220	31,6	1470	32,8	1750	34	2060	35,6
58	209	93	264	98	322	104	388	108	462	112	544	117
4,5	840	28,6	1060	30,2	1290	32	1550	33,2	1860	34,4	2180	36
65	222	94	280	99	341	105	409	109	491	113	576	118
5	880	29,2	1120	30,6	1360	32,4	1640	33,6	1960	35	2290	36,4
73	232	96	296	100	359	106	433	110	518	115	605	119
5,5	930	29,6	1170	31	1430	33	1720	34,2	2060	35,4	2380	36,8
80	246	97	309	102	378	108	454	112	544	116	629	121

(Sprinkler at 1 meter height)



- In shady areas is highly recommended the use of low pressure orange vane.
- Sprinklers will be supplied with standard nozzles unless otherwise specified.
- In order to calculate the flow add the flows of the two nozzles. The range of the rear nozzle must be less than that of the main nozzle.
- These results has been obtained at indoor laboratory with 0 m/seg win velocity. Outdoor results may change range distances.

Long range nozzle (long vane) + short range nozzle

NOZZLE	3,2 x 2,4 mm 17/128" x 3/32"		3,6 x 2,4 mm 9/64" x 3/32"		4 x 2,4 mm 5/32" x 3/32"		4,4 x 2,4 mm 11/64" x 3/32"		4,4 x 2,8 mm 11/64" x 7/64"		4,8 x 2,4 mm 3/16" x 3/32"		4,8 x 2,8 mm 3/16" x 7/64"		4,8 x 3,2 mm 3/16" x 17/128"		5,2 x 3,2 mm 13/64" x 17/128"	
	BAR PSI	L/H GPH Ø ft	L/H GPH Ø ft	Ø m Ø ft	L/H GPH Ø ft	Ø m Ø ft	L/H GPH Ø ft	Ø m Ø ft	L/H GPH Ø ft	Ø m Ø ft	L/H GPH Ø ft	Ø m Ø ft	L/H GPH Ø ft	Ø m Ø ft	L/H GPH Ø ft	Ø m Ø ft	L/H GPH Ø ft	Ø m Ø ft
2,5	980	26,5	1150	28,2	1320	30	1520	30,6	1730	30,6	1750	32,5	1895	32,5	2050	32,5	2310	32,4
36	259	87	304	93	348	98	401	100	457	100	462	107	500	107	541	107	610	106
3	1070	27	1250	28,6	1450	30,4	1670	31,6	1800	31,6	1920	33	2100	33	2240	33	2520	33,4
44	282	89	330	94	383	100	441	104	475	104	507	108	554	108	591	108	665	110
3,5	1160	27,4	1350	29	1560	30,8	1800	32	1915	32	2050	33,5	2255	33,5	2420	33,5	2720	34,2
51	306	90	356	95	412	101	475	105	506	105	541	110	595	110	639	110	718	112
4	1240	28	1450	29,4	1670	31,2	1920	32,4	2070	32,4	2180	34	2400	34	2590	34	2910	35
58	327	92	383	96	441	102	507	106	546	106	576	112	634	112	684	112	768	115
4,5	1320	28,4	1540	29,8	1770	31,8	2030	33	2165	33	2300	34,5	2545	34,5	2750	34,5	3070	35,4
65	348	93	407	98	467	104	536	108	572	108	607	113	672	113	726	113	810	116
5	1360	28,8	1620	30,4	1870	32,2	2140	33,4	2300	33,4	2430	35	2680	35	2880	35	3230	35,8
73	359	94	428	100	494	106	565	110	607	110	642	115	708	115	760	115	853	117
5,5	1460	29,2	1700	30,8	1960	32,6	2240	33,8	2400	33,8	2510	36	2810	36	3010	36	3360	36,2
80	385	96	449	101	517	107	591	111	634	111	663	118	742	118	795	118	887	119



Special nozzle for solid-set systems over 2 m height

Standard Ø: Diameter range

(Sprinkler at 1 meter height)

VYR-70



VYR-70 · Full Circle AG

GENERAL PROPERTIES:

- Medium flow agricultural impact sprinkler.
- 3/4" male or female connection.
- Made of brass and stainless steel.
- High-resistance rotating joints.
- Nozzle angles of 26° and 22°
- Special design for long reach.
- Used in full coverage irrigation with medium-high flow.

TECHNICAL SPECIFICATIONS:

- Range distance: 13 - 18 m. / 43 - 59 ft.
- Flow: 660 - 3270 L/H / 175-864 GPH
- Working pressure: 1,75 - 4,5 BAR / 25-65 PSI.
- Area: Full circle.
- Nozzles: Two nozzles: one main nozzle and a secondary deflector nozzle or plug.
- Trajectory angles: 26° and 22°
- Maximum stream height: 4.3 m / 14 ft.
- Rotation time: Depending on the pressure and the nozzles, the rotation will be constant and continuous.
- Uniformity coefficient higher than 90% in areas of 18x18R, 20x18T and 20x20T (meters).

APPLICATIONS:

- Horticultural plantations, cereals, tubers, leguminous plants and fruit trees.
- Used in all types of agricultural irrigation, generally with medium-high flows.

MEASUREMENTS:

- Height: 15 cm / 5,9 in.
- Width: 20 cm / 7,9 in.
- Weight: 548 g / 1,2 Lbs.
- Units per box: 50

OPTIONS:

- Threads in BSP or NPT under demand.
- Secondary nozzle with deflector slot or plug.
- Assembled on a pressure regulator for self-compensation of pressure and flow.

MODELS:

- Ref. 007001: 3/4" male.
- Ref. 007020: 3/4" female.

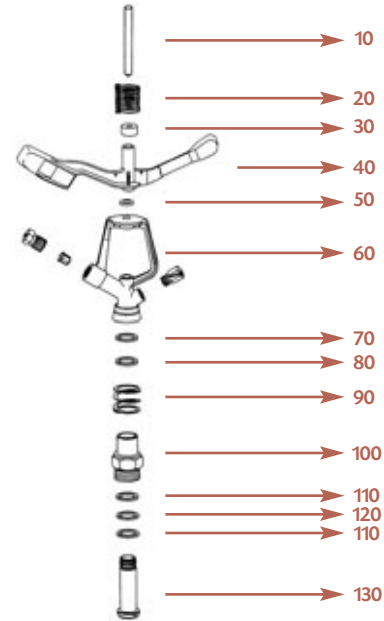


TABLES & PARTS

Technical guidance table VYR-70

NOZZLE	Spacing (m) / Precipit. rate (mm/h) Spacing (ft) / Precipit. rate (in/h)						
	BAR PSI	15x15 T 50x50 T	18x18 T 60x60 T	18x21 60x70	18x21 T 60x70 T	21x21 T 70x70 T	21x24 70x80
4,4 x 2,4 mm 3/32" x 11/64"	3	5,5	4,7	4,4	3,6	3,7	
	44	0,20	0,19	0,17	0,14	0,15	
	3,5	5,4	5,1	3,9	3,9	4	
4,8 x 3,2 mm 3/16" x 17/128"	51	0,21	0,20	0,19	0,15	0,16	
	4	5,8	5,4	4,2	4,2	4,3	
	58	0,23	0,21	0,20	0,17	0,17	
5,5 x 3,2 mm 7/32" x 17/128"	3	6,6	6,2	4,8	4,8	4,9	
	44	0,26	0,24	0,23	0,19	0,19	
	3,5	7,1	6,7	5,2	5,2	5,3	4,7
7/32" x 17/128"	51	0,28	0,26	0,24	0,20	0,21	0,19
	4	10,4	7,2	5,6	5,6	5,7	5
	58	0,30	0,28	0,26	0,22	0,22	0,20

T: Triang. CU < 85% CU 85-88% CU 88-92% CU > 92%



Performance nozzle table VYR-70

Long range nozzle (long vane) + plug

NOZZLE	4 mm 5/32"		4,4 mm 11/64"		4,8 mm 3/16"		5,2 mm 13/64"	
	BAR PSI	L/H GPH Ø m Ø ft	L/H GPH Ø m Ø ft	L/H GPH Ø m Ø ft	L/H GPH Ø m Ø ft	L/H GPH Ø m Ø ft	L/H GPH Ø m Ø ft	L/H GPH Ø m Ø ft
2,5	970	30,2	1160	31	1390	31,8	1640	32,6
36	256	99	306	102	367	104	433	107
3	1050	30,6	1270	31,8	1510	32,8	1790	33,8
44	277	100	335	104	399	108	473	111
3,5	1140	31,2	1380	32,4	1640	33,6	1930	34,8
51	301	102	365	106	433	110	510	114
4	1220	31,6	1470	32,8	1750	34	2060	35,6
58	322	104	388	108	462	112	544	117
4,5	1290	32	1550	33,2	1860	34,4	2180	36
65	341	105	409	109	491	113	576	118
5	1360	32,4	1640	33,6	1960	35	2290	36,4
73	359	106	433	110	518	115	605	119
5,5	1430	33	1720	34,2	2060	35,4	2380	36,8
80	378	108	454	112	544	116	629	121

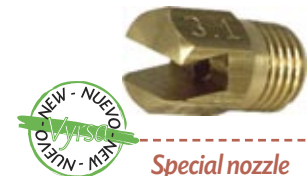
(Sprinkler at 1 meter height)

Long range nozzle (long vane) + short range nozzle

NOZZLE	4 x 2,4 mm 5/32" x 3/32"		4,4 x 2,4 mm 11/64" x 3/32"		4,4 x 2,8 mm 11/64" x 7/64"		4,8 x 2,4 mm 3/16" x 3/32"		4,8 x 2,8 mm 3/16" x 7/64"		4,8 x 3,2 mm 3/16" x 17/128"		5,2 x 3,2 mm 13/64" x 17/128"	
	BAR PSI	L/H GPH Ø m Ø ft	L/H GPH Ø m Ø ft	L/H GPH Ø m Ø ft	L/H GPH Ø m Ø ft	L/H GPH Ø m Ø ft	L/H GPH Ø m Ø ft	L/H GPH Ø m Ø ft	L/H GPH Ø m Ø ft	L/H GPH Ø m Ø ft	L/H GPH Ø m Ø ft	L/H GPH Ø m Ø ft	L/H GPH Ø m Ø ft	L/H GPH Ø m Ø ft
2,5	1320	30	1520	30,6	1730	30,6	1750	32,5	1895	32,5	2050	32,5	2310	32,4
36	348	98	401	100	457	100	462	107	500	107	541	107	610	106
3	1450	30,4	1670	31,6	1800	31,6	1920	33	2100	33	2240	33	2520	33,4
44	383	100	441	104	475	104	507	108	554	108	591	108	665	110
3,5	1560	30,8	1800	32	1915	32	2050	33,5	2255	33,5	2420	33,5	2720	34,2
51	412	101	475	105	506	105	541	110	595	110	639	110	718	112
4	1670	31,2	1920	32,4	2070	32,4	2180	34	2400	34	2590	34	2910	35
58	441	102	507	106	546	106	576	112	634	112	684	112	768	115
4,5	1770	31,8	2030	33	2165	33	2300	34,5	2545	34,5	2750	34,5	3070	35,4
65	467	104	536	108	572	108	607	113	672	113	726	113	810	116
5	1870	32,2	2140	33,4	2300	33,4	2430	35	2680	35	2880	35	3230	35,8
73	494	106	565	110	607	110	642	115	708	115	760	115	853	117
5,5	1960	32,6	2240	33,8	2400	33,8	2510	36	2810	36	3010	36	3360	36,2
80	517	107	591	111	634	111	663	118	742	118	795	118	887	119

Standard Ø: Diameter range

(Sprinkler at 1 meter height)



Special nozzle
for solid-set systems
over 2 m height

- In shady areas is highly recommended the use of low pressure orange vane.
- Sprinklers will be supplied with standard nozzles unless otherwise specified.
- In order to calculate the flow add the flows of the two nozzles. The range of the rear nozzle must be less than that of the main nozzle.
- These results has been obtained at indoor laboratory with 0 m/seg win velocity. Outdoor results may change range distances.



Low pressure
vane

VYR-70 VC



VYR-70 VC · Full circle AG

GENERAL PROPERTIES:

- Agricultural impact sprinkler with medium-high flow.
- 1" male or female connection.
- Made of brass and stainless steel.
- High-resistance rotating joints.
- Nozzle angles of 26° and 26°
- Special design for long reach.
- Used in full coverage irrigation with medium-high flow.

TECHNICAL SPECIFICATIONS:

- Range distance: 13,5 - 27 m / 44 - 89 ft.
- Flow: 2000 - 9400 L/H / 528 - 2480 GPH.
- Working pressure: 2,75 - 6 BAR / 36 87 PSI.
- Area: Full circle.
- Nozzles: Two nozzles: one main nozzle and a secondary nozzle.
- Trajectory angles: 26° and 26°
- Maximum stream height: 5 m / 16,5 ft.
- Rotation time: Depending on the pressure and the nozzles, the rotation will be constant and continuous.
- Uniformity coefficient higher than 90% in areas of 20x20R, 22x22T and 22x24T (meters).

APPLICATIONS:

- Used in all types of agricultural irrigation, generally with medium-high flows. Horticultural plantations, cereals, tubers, leguminous plants and fruit trees.

MEASUREMENTS:

- Height: 20 cm / 7,9 in.
- Width: 25 cm / 8,7 in.
- Weight: 870 g / 1,9 Lbs.
- Units per box: 25

OPTIONS:

- Threads in BSP or NPT under demand.
- Male and female connection.
- This model is suitable to be used over our irrigation traveller VYR - 5300.

MODELS:

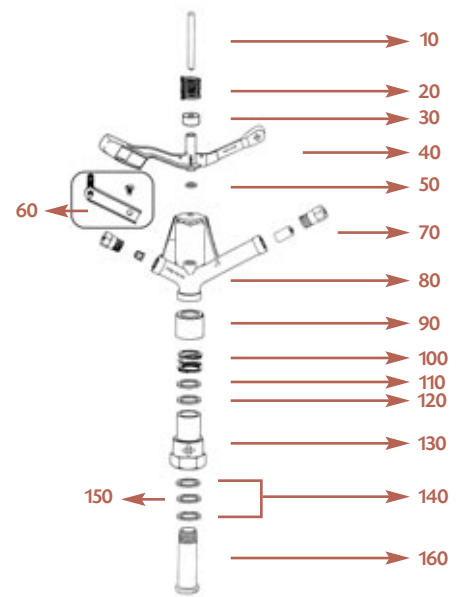
- Ref. 007010: 1" female connection.
- Ref. 007012: 1" male connection.
- Ref. 106000: Difuser pin plate.

TABLES & PARTS

Technical guidance table VYR-70 VC

NOZZLE	Spacing (m) / Precipit. rate (mm/h) Spacing (ft) / Precipit. rate (in/h)						
	BAR PSI	18x21 59x68	21x21 68x68	21x24 68x78	24x24 78x78	24x28 78x91	28x28 T 91x91T
5,6 x 4,4 mm 7/32" x 11/64"	3	9,3	8	7	6,1	5,2	4,5
	58	0,37	0,31	0,28	0,24	0,20	0,18
	3,5	9,7	8,4	7,3	6,4	5,5	4,7
6,4 x 4,8 mm 1/4" x 3/16"	65	0,38	0,33	0,29	0,25	0,22	0,19
	4	9,9	8,5	7,1	6,5	5,6	4,8
	73	0,39	0,33	0,28	0,26	0,22	0,19
7,2 x 5,6 mm 9/32" x 7/32"	3	10,6	9,1	8	7	6	5,1
	58	0,42	0,36	0,31	0,28	0,24	0,20
	3,5	12,1	10,4	9,1	7,9	6,8	5,8
7,2 x 5,6 mm 9/32" x 7/32"	65	0,48	0,41	0,36	0,31	0,27	0,23
	4	12,9	11	9,6	8,4	7,2	6,2
	73	0,51	0,43	0,38	0,33	0,28	0,24
7,2 x 5,6 mm 9/32" x 7/32"	3	15,4	13,2	11,5	10,1	8,6	7,4
	58	0,61	0,52	0,45	0,40	0,34	0,29
	3,5	16,3	14	12,2	10,7	9,2	7,9
7,2 x 5,6 mm 9/32" x 7/32"	65	0,64	0,55	0,48	0,42	0,36	0,31
	4	16,5	14,2	12,4	10,9	9,3	8
	73	0,65	0,56	0,49	0,43	0,37	0,31

T: Triang. CU < 85% CU 85-88% CU 88-92% CU > 92%



Performance nozzle tables VYR-70 VC

Long range nozzles (long vane) + short range nozzle

NOZZLE	5,6 x 4,4 mm 7/32" x 11/64"		6,4 x 4,4 mm 1/4" x 11/64"		6,4 x 4,8 mm 1/4" x 3/16"		7,2 x 4,8 mm 9/32" x 3/16"		7,2 x 5,6 mm 9/32" x 7/32"		8,8 x 5,6 mm 11/32" x 7/32"	
	BAR PSI	L/H GPH Ø m Ø ft	L/H GPH Ø m Ø ft	L/H GPH Ø m Ø ft	L/H GPH Ø m Ø ft	L/H GPH Ø m Ø ft	L/H GPH Ø m Ø ft	L/H GPH Ø m Ø ft	L/H GPH Ø m Ø ft	L/H GPH Ø m Ø ft	L/H GPH Ø m Ø ft	L/H GPH Ø m Ø ft
3	3720	39	4115	39	4435	39	5185	43	5335	43	6670	41,4
44	983	128	1087	128	1172	128	1370	141	1409	141	1762	136
3,5	3990	40	4390	42	4745	42	5600	44	5670	44	7225	43,2
51	1054	131	1160	138	1253	138	1479	144	1498	144	1909	142
4	4270	42	4765	44	5100	44	5970	45	6060	45	7715	45
58	1128	138	1259	144	1347	144	1577	148	1601	148	2038	148
4,5	4445	44	4930	46	5460	46	6420	46	6480	46	8100	47,4
65	1174	144	1302	151	1442	151	1696	151	1712	151	2140	156
5	4705	46	5190	48	5785	48	6660	47	6870	47	8580	48,8
73	1243	151	1371	157	1528	157	1759	154	1815	154	2267	160
5,5	4985	47	5490	49	6030	49	6990	49	7200	49	9000	52,4
80	1317	154	1450	161	1593	161	1847	161	1902	161	2378	172

Standard Ø: Diameter range



Ref. 106000

- For optimum distribution avoid use in shady areas.
- Sprinklers will be supplied with standard nozzles unless otherwise specified.
- In order to calculate the flow, add the flows of the two nozzles. The range of the rear nozzle must be less than that of the main nozzle.
- These results has been obtained at indoor laboratory with 0 m/seg win velocity. Outdoor results may change range distances.



VYR-70 VL



VYR-70 VL · Full circle AG

GENERAL PROPERTIES:

- Agricultural impact sprinkler with medium-high flow.
- 1" male or female connection.
- Made of brass and stainless steel.
- High-resistance rotating joints.
- Nozzle angles of 26° y 26°
- Special design for long reach.
- Used in full coverage irrigation with medium-high flow.

TECHNICAL SPECIFICATIONS:

- Range distance: 13,5 - 27 m / 44 - 89 ft.
- Flow: 2000 - 9400 L/H / 528 - 2480 GPH.
- Working pressure: 2,75 - 6 BAR / 36 87 PSI.
- Area: Full circle.
- Nozzles: Two nozzles: one main nozzle and a secondary nozzle.
- Trajectory angles: 26° y 26°
- Maximum stream height: 5 m / 16,5 ft.
- Rotation time: Depending on the pressure and the nozzles, the rotation will be constant and continuous.
- Uniformity coefficient higher than 90% in areas of 20x20R, 22x22T and 22x24T (meters)

APPLICATIONS:

- Used in all types of agricultural irrigation, generally with medium-high flow. Horticultural plantations, cereals, tubers, leguminous plants and fruit trees.

MEASUREMENTS:

- Height: 20 cm / 7,9 in.
- Width: 28 cm / 11 in.
- Weight: 900 g / 2 Lbs.
- Units per box: 25

OPTIONS:

- Threads in BSP or NPT under demand.
- Male and female connection.
- This model is suitable to be used over our irrigation traveller VYR - 5300.

MODELS:

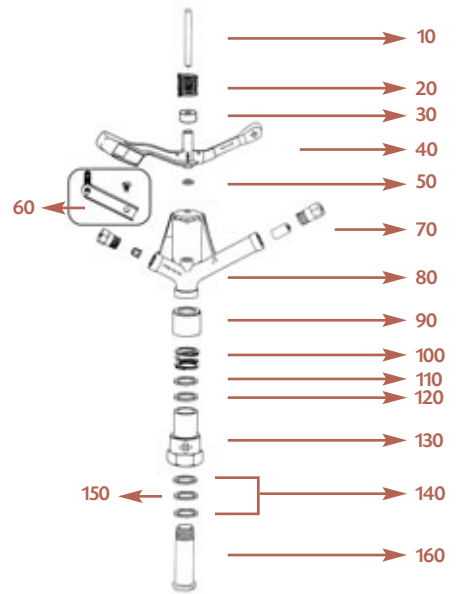
- Ref. 007011: 1" female connection.
- Ref. 007013: 1" male connection.
- Ref. 106000: Difuser pin plate.

TABLES & PARTS

Technical guidance table VYR-70 VL

NOZZLE	Spacing (m) / Precipit. rate (mm/h) Spacing (ft) / Precipit. rate (in/h)						
	BAR PSI	18x21 60x70	21x21 T 70x70 T	21x24 T 70x80 T	24x24 T 80x80 T	24x28 80x92	28x28 92x92
5,6 x 4,4 mm 7/32" x 11/64"	4	10,1	8	6,5	6,2	5,7	
	58	0,40	0,31	0,26	0,24	0,22	
	4,5	10,8	8,5	6,8	6,5	6,1	
6,4 x 4,8 mm 1/4" x 3/16"	65	0,43	0,33	0,27	0,26	0,24	
	5	11,3	9	7,2	6,9	6,4	
	73	0,44	0,35	0,28	0,27	0,25	
7,2 x 5,6 mm 9/32" x 7/32"	4	12,8	10,1	8,1	7,8	7,2	6,2
	58	0,50	0,40	0,32	0,31	0,28	0,24
	4,5	13,6	10,8	8,6	8,2	7,6	6,5
7,2 x 5,6 mm 9/32" x 7/32"	65	0,54	0,43	0,34	0,32	0,30	0,26
	5	14,3	11,3	9,1	8,7	8,1	6,9
	73	0,56	0,44	0,36	0,34	0,32	0,27
7,2 x 5,6 mm 9/32" x 7/32"	4	16,6	13,2	10,6	10,1	9,4	8
	58	0,65	0,52	0,42	0,40	0,37	0,31
	4,5	17,7	14	11,2	10,7	9,9	8,5
7,2 x 5,6 mm 9/32" x 7/32"	65	0,70	0,55	0,44	0,42	0,39	0,33
	5	18,6	14,7	11,8	11,3	10,5	9
	73	0,73	0,58	0,46	0,44	0,41	0,35

T: Triang. CU < 85% CU 85-88% CU 88-92% CU > 92%



Performance nozzle tables VYR-70 VL

Long range nozzles (long vane) + plug

NOZZLE	5,6 mm 7/32"	6,4 mm 1/4"	7,2 mm 9/32"	8,0 mm 5/16"	8,8 mm 11/32"	9,6 mm 3/8"						
	BAR PSI	L/H GPH	Ø m Ø ft	L/H GPH	Ø m Ø ft	L/H GPH	Ø m Ø ft					
3	2190	40	2850	42	3470	42	4190	45	4930	44	5710	44
44	579	131	753	138	917	138	1107	148	1302	144	1508	144
3,5	2370	42	3070	43	3730	44	4490	46	5335	46	6170	46
51	626	138	811	141	985	144	1186	151	1409	151	1630	151
4	2550	44	3300	44	4030	46	4850	48	5730	49	6650	49
58	674	144	872	144	1065	151	1281	157	1514	161	1757	161
4,5	2700	46	3515	46	4250	48	5150	50	6150	51	7020	52
65	713	151	929	151	1123	157	1360	164	1625	167	1854	171
5	2880	47	3690	48	4550	49	5450	52	6510	54	7470	55
73	761	154	975	157	1202	161	1440	171	1720	177	1973	180
5,5	3000	48	3900	50	4765	50	5700	54	6810	55	7835	57
80	793	157	1030	164	1259	164	1506	177	1799	180	2070	187



Long range nozzles (long vane) + short range nozzle

NOZZLE	5,6 x 4,4 mm 7/32" x 11/64"	6,4 x 4,4 mm 1/4" x 11/64"	6,4 x 4,8 mm 1/4" x 3/16"	7,2 x 4,8 mm 9/32" x 3/16"	7,2 x 5,6 mm 9/32" x 7/32"	8,8 x 5,6 mm 11/32" x 7/32"						
	BAR PSI	L/H GPH	Ø m Ø ft	L/H GPH	Ø m Ø ft	L/H GPH	Ø m Ø ft					
3	3720	39	4115	39	4435	39	5185	43	5335	43	6670	41,4
44	983	128	1087	128	1172	128	1370	141	1409	141	1762	136
3,5	3990	40	4390	42	4745	42	5600	44	5670	44	7225	43,2
51	1054	131	1160	138	1253	138	1479	144	1498	144	1909	142
4	4270	42	4765	44	5100	44	5970	45	6060	45	7715	45
58	1128	138	1259	144	1347	144	1577	148	1601	148	2038	148
4,5	4445	44	4930	46	5460	46	6420	46	6480	46	8100	47,4
65	1174	144	1302	151	1442	151	1696	151	1712	151	2140	156
5	4705	46	5190	48	5785	48	6660	47	6870	47	8580	48,8
73	1243	151	1371	157	1528	157	1759	154	1815	154	2267	160
5,5	4985	47	5490	49	6030	49	6990	49	7200	49	9000	52,4
80	1317	154	1450	161	1593	161	1847	161	1902	161	2378	172

Standard Ø: Diameter range

- For optimum distribution avoid use in shady areas.
- Sprinklers will be supplied with standard nozzles unless otherwise specified.
- In order to calculate the flow, add the flows of the two nozzles. The range of the rear nozzle must be less than that of the main nozzle.
- These results has been obtained at indoor laboratory with 0 m/seg win velocity. Outdoor results may change range distances.

VYR-86



VYR-86 · Full circle AG

GENERAL PROPERTIES:

- Agricultural impact sprinkler with medium-high flow.
- 1" female connection.
- Made of plastic and stainless steel.
- High-resistance rotating joints.
- Nozzle angles of 26° y 26°
- Special design for long reach.
- Used in full coverage irrigation with medium-high flow.

TECHNICAL SPECIFICATIONS:

- Range distance: 13,5 - 27 m / 44 - 89 ft.
- Flow: 2000 - 9400 L/H / 528 - 2480 GPH.
- Working pressure: 2,75 - 6 BAR / 36 87 PSI.
- Area: Full circle.
- Nozzles: Two nozzles: one main nozzle and a secondary deflector nozzle.
- Trajectory angles: 26° y 26°
- Maximum stream height: 5 m/ 16,5 ft.
- Rotation time: Depending on the pressure and the nozzles, the rotation will be constant and continuous.
- Uniformity coefficient higher than 90% in areas of 20x20R, 22x22T and 22x24T (meters)

APPLICATIONS:

- Used in all types agricultural irrigation, generally with medium-high flow. Horticultural plantations, cereals, tubers, leguminous plants and fruit trees.

MEASUREMENTS:

- Height: 20 cm / 7,9 in.
- Width: 22 cm or 28 cm / 8,7 in or 11 in.
- Weight: 310 g or 390 g / 0,68 Lbs or 0,85 Lbs
- Units per box: 25

OPTIONS:

- Threads in BSP or NPT under demand.
- Plastic or brass arm depending on the desired rotating speed and the pressure used.
- This is one of the models which can be used in conjunction with our travelling sprinkler cart VYR-5300.

MODELS:

- Ref. 008600: Plastic.
- Ref. 008601: Brass arm.

VYR-144 C



VYR-144 C · Full circle AG

GENERAL PROPERTIES:

- Agricultural impact sprinkler with medium-high flow.
- 1 1/4" female connection.
- Made of aluminium, plastic and stainless steel.
- High-resistance rotating joints.
- Nozzle angles of 30° y 22°
- Special design for long reach.
- Used in full coverage irrigation with medium-high flow.

TECHNICAL SPECIFICATIONS:

- Range distance: 16 - 26 m / 52 - 85 ft.
- Flow: 4560 - 18600 L/H / 1.204 - 4.913 GPH
- Working pressure: 1.5 - 4.5 BAR / 22 - 65 PSI.
- Area: Full circle.
- 2 Nozzles: One main nozzle with built-in deflector pin, and a second short range deflector nozzle.
- Trajectory angles: 30° y 22°
- Maximum stream height: 5.5 m / 18 ft.
- Rotation time: Adjustable. Depending on the pressure and the nozzles, the rotation will be constant and continuous.
- Uniformity coefficient higher than 90% in areas of 22x22R, 24x24T and 24x27T (meters).

APPLICATIONS:

- Used in all types agricultural irrigation, generally with medium-high flow. Horticultural plantations, cereals, tubers, leguminous plants and fruit trees.

MEASUREMENTS:

- Height: 25 cm / 9,8 in.
- Width: 30 cm / 11,8 in.
- Weight: 1 kg / 2,2 Lbs.
- Units per box: 15

OPTIONS:

- Threads in BSP or NPT under demand.
- Complete set of nozzles.
- This is one of the models which can be used in conjunction with our travelling sprinkler cart VYR-5300.

MODELS:

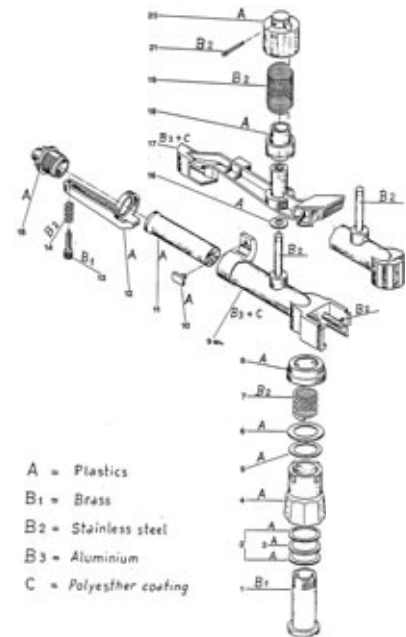
- **Ref. 014401:** Sprinkler with 5 nozzle set.

TABLES & PARTS

Technical guidance table VYR-144

NOZZLE	BAR PSI	Spacing (m) / Precipit. rate (mm/h) Spacing (ft) / Precipit. rate (in/h)					
		20x24 65x78	24x24 78x78	24x26 T 78x85 T	26x26 T 85x85 T	28x28 T 91x91 T	30x30 T 98x98 T
7 x 4,4 mm 9/32" x 11/64"	3	8,6	7,1	5,8	5,6	4,8	
	44	0,34	0,28	0,23	0,22	0,19	
	3,5	9,2	7,7	6,2	6,1	5,2	4,6
10 x 4,4 mm 13/32" x 11/64"	51	0,36	0,30	0,24	0,24	0,20	0,18
	4	9,9	8,2	6,7	6,5	5,6	4,9
	58	0,39	0,32	0,26	0,26	0,22	0,19
14 x 4,4 mm 9/16" x 11/64"	3	16	13,4	10,8	10,5	9,1	7,9
	44	0,63	0,53	0,43	0,41	0,36	0,31
	3,5	17,3	14,4	11,7	11,4	9,8	8,5
9/16" x 11/64"	51	0,68	0,57	0,46	0,45	0,39	0,33
	4	18,5	15,4	12,5	12,2	10,5	9,1
	58	0,73	0,61	0,49	0,48	0,41	0,36
9/16" x 11/64"	3	29,8	24,8	20,1	19,6	16,9	14,7
	44	1,17	0,98	0,79	0,77	0,67	0,58
	3,5	32,2	26,8	21,8	21,1	18,2	15,9
9/16" x 11/64"	51	1,27	1,06	0,86	0,83	0,72	0,63
	4	34,4	28,7	23,3	22,6	19,5	17
	58	1,35	1,13	0,92	0,89	0,77	0,67

T: Triang. CU < 85% CU 85-88% CU 88-92% CU > 92%



Performance nozzle tables VYR-144

Long range nozzles (long vane) + short range nozzle

NOZZLE	7 x 4,4 mm 9/32" x 11/64"		8 x 4,4 mm 5/16" x 11/64"		10 x 4,4 mm 13/32" x 11/64"		12 x 4,4 mm 15/32" x 11/64"		14 x 4,4 mm 9/16" x 11/64"	
	BAR PSI	L/H GPH Ø m Ø ft	L/H GPH Ø m Ø ft	L/H GPH Ø m Ø ft	L/H GPH Ø m Ø ft	L/H GPH Ø m Ø ft	L/H GPH Ø m Ø ft	L/H GPH Ø m Ø ft	L/H GPH Ø m Ø ft	L/H GPH Ø m Ø ft
2	4.560	40	5.580	44	7.900	50	10.980	56	14.460	54
29	1.204	131	1.473	144	2.086	164	2.899	184	3.817	177
3	4.920	42	6.000	46	8.640	54	11.880	60	16.560	62
44	1.299	138	1.584	151	2.281	177	3.136	197	4.372	203
4	5.280	42	6.480	50	9.300	58	12.720	62	18.600	62
58	1.394	138	1.711	164	2.455	190	2.455	203	4.910	203

Ø: Diameter range

- Sprinklers will be supplied with standard nozzles unless otherwise specified.
- In order to calculate the flow, add the flows of the two nozzles. The range of the rear nozzle must be less than that of the main nozzle.
- These results has been obtained at indoor laboratory with 0 m/seg win velocity. Outdoor results may change range distances.



Easy spring tension adjustment

VYR-155



VYR-155 · Full circle AG

GENERAL PROPERTIES:

- Agricultural impact sprinkler with medium-high flow.
- 1 1/4" male connection.
- Made of brass and stainless steel.
- High-resistance rotating joints.
- Nozzles angles of 28°, 28° and 13°
- Special design for long reach.
- Used in full coverage irrigation with medium-high flow.
- Mechanical system for adjusting the spring tension to vary the rotation speed depending on the pressure used.

TECHNICAL SPECIFICATIONS:

- Range distance: 26 - 35 m / 85 - 115 ft.
- Flow: 8.500 - 22.300 L/H / 2.244 - 5.887 GPH.
- Working pressure: 4 - 8 BAR / 58-116 PSI.
- Area: Full circle.
- Nozzles: A main nozzle for long reach, a second nozzle for medium reach and a third nozzle for short reach.
- Trajectory angles: 28°, 28° and 13°
- Maximum stream height: 5,8 m / 19 ft.
- Rotation time: Adjustable. Depending on the pressure and the nozzles, the rotation will be constant and continuous.
- Uniformity coefficient higher than 90% in areas of 28x28R, 28x30T and 30x30T (meters)

APPLICATIONS:

- Used in all types of agricultural irrigations, generally with medium-high flow for coverage of wide areas.
- Horticultural plantations, cereals, tubers, leguminous plants and fruit trees.

MEASUREMENTS:

- Height: 30 cm / 11,8 in.
- Width: 48 cm / 18,9 in.
- Weight: 1.672 kg / 3,68 Lbs.
- Units per box: 10

OPTIONS:

- Threads in BSP or NPT under demand.
- Telescopic tripod for mobile installation.
- This is one of the models which can be used in conjunction with our travelling sprinkler cart VYR-5300.

MODELS:

Ref. 015500: Sprinkler with 3 nozzles.

Incredible Uniformity Coefficient results with very wide coverage areas.

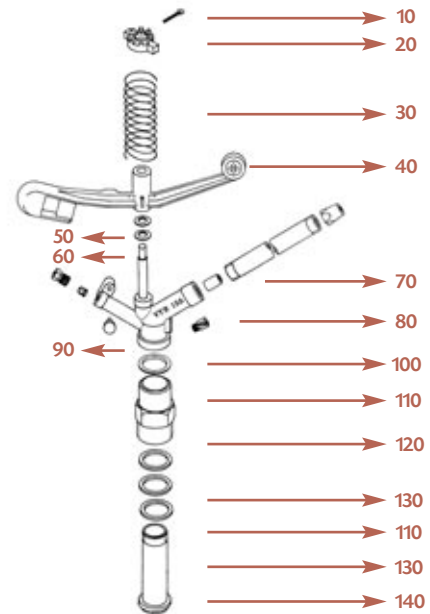


TABLES & PARTS

Technical guidance table VYR-155

NOZZLE	Spacing (m) / Precipit. rate (mm/h) Spacing (ft) / Precipit. rate (in/h)						
	BAR PSI	24x24 78x78	24x24 T 78x78 T	26x26 85x85	26x26 T 85x85 T	28x28 91x91	28x28 T 91x91 T
3,2 x 6,3 x 8 mm 5/16" x 1/4" x 1/8"	4	10,3	9,6	6,9	6		
	58	0,41	0,38	0,27	0,24		
	5	12,7	11,4	9,6	8,5		
	73	0,50	0,45	0,38	0,33		
	6	14,9	13,5	11,4	10,2		
3,2 x 6,3 x 10 mm 13/32" x 1/4" x 1/8"	87	0,59	0,53	0,45	0,40		
	7	16,8	15,4	13,3	12		
	102	0,66	0,61	0,52	0,47		
	4	16,7	15,3	13,1	11,9	11,2	10,3
	58	0,66	0,60	0,52	0,47	0,44	0,41
3,2 x 6,3 x 12 mm 15/32" x 1/4" x 1/8"	5	19,8	18,3	16,2	14,8	14,7	13,6
	73	0,78	0,72	0,64	0,58	0,58	0,54
	6	22,7	26	19,4	17,4	16,9	15,5
	87	0,89	1,02	0,76	0,69	0,67	0,61
	7	24,6	22,9	21	19	19,2	17,9
3,2 x 6,3 x 14,5 mm 9/16" x 1/4" x 1/8"	102	0,97	0,90	0,83	0,75	0,76	0,70
	4	25,5	23,5	22,1	19,7	19,7	17,8
	58	1,00	0,93	0,87	0,78	0,78	0,70
	5	27,8	25,8	24,1	21,6	20,3	18
	73	1,09	1,02	0,95	0,85	0,80	0,71
3,2 x 6,3 x 14,5 mm 9/16" x 1/4" x 1/8"	6	31,9	28,9	27,9	25,4	24,4	22
	87	1,26	1,14	1,10	1,00	0,96	0,87
	7	32,6	30,4	28,6	26,1	24,9	22,3
	102	1,28	1,20	1,13	1,03	0,98	0,88
	4	32,9	30,7	29,4	27	25	23,5
3,2 x 6,3 x 14,5 mm 9/16" x 1/4" x 1/8"	58	1,30	1,21	1,16	1,06	0,98	0,93
	5	35,1	32,9	31,8	27,6	26,2	24
	73	1,38	1,30	1,25	1,09	1,03	0,94
	6	38,4	36	34,9	31,5	30,4	28,3
	87	1,51	1,42	1,37	1,24	1,20	1,11
3,2 x 6,3 x 14,5 mm 9/16" x 1/4" x 1/8"	7	41	38,1	37,5	34,2	33,1	30,9
	102	1,61	1,50	1,48	1,35	1,30	1,22

T: Triang. CU < 85% CU 85-88% CU 88-92% CU > 92%



Performance nozzle tables VYR-155

Long range nozzles (long vane) + plug

NOZZLE	8 x 6,3 x 3,2 mm 5/6" x 1/4" x 1/8"		9 x 6,3 x 3,2 mm 11/32" x 1/4" x 1/8"		10 x 6,3 x 3,2 mm 13/32" x 1/4" x 1/8"		11 x 6,3 x 3,2 mm 7/16" x 1/4" x 1/8"		12 x 6,3 x 3,2 mm 15/32" x 1/4" x 1/8"		13 x 6,3 x 3,2 mm 1/2" x 1/4" x 1/8"		14 x 6,3 x 3,2 mm 9/16" x 1/4" x 1/8"	
	BAR PSI	L/H GPH Ø m Ø ft	L/H GPH Ø m Ø ft	L/H GPH Ø m Ø ft	L/H GPH Ø m Ø ft	L/H GPH Ø m Ø ft	L/H GPH Ø m Ø ft	L/H GPH Ø m Ø ft	L/H GPH Ø m Ø ft	L/H GPH Ø m Ø ft	L/H GPH Ø m Ø ft	L/H GPH Ø m Ø ft	L/H GPH Ø m Ø ft	L/H GPH Ø m Ø ft
4	8500	51	9600	52	11000	53	12000	56	13200	57	15000	59	17000	63
58	2245	167	2536	171	2906	174	3170	184	3487	187	3963	194	4491	207
5	9500	53	10800	54	12300	55	13400	58	14900	60	17000	62	19100	65
73	2510	174	2853	177	3249	180	3540	190	3936	197	4491	203	5046	213
6	10400	54	11700	55	13500	58	14700	61	16500	62	18800	64	20800	67
87	2747	177	3091	180	3566	190	3883	200	4359	203	4966	210	5495	220
7	11200	56	12800	57	14600	60	16000	63	18000	64	20300	66	22300	69
102	2959	184	3381	187	3857	197	4227	207	4755	210	5363	217	5891	226

Standard Ø: Diameter range

- Sprinklers will be supplied with standard nozzles unless otherwise specified.
- In order to calculate the flow, add the flows of the two nozzles. The range of the rear nozzle must be less than that of the main nozzle.
- These results has been obtained at indoor laboratory with 0 m/seg win velocity. Outdoor results may change range distances.







Agriculture

Part circle

LOW FLOW "PART CIRCLE"

- VYR-50 AG	Pg. 90
- VYR-80 AG	Pg. 92
- VYR-803 AG	Pg. 94
- VYR-802 AG	Pg. 96

MEDIUM FLOW "PART CIRCLE"

- VYR-60	Pg. 98
- VYR-66	Pg. 100
- VYR-67	Pg. 102

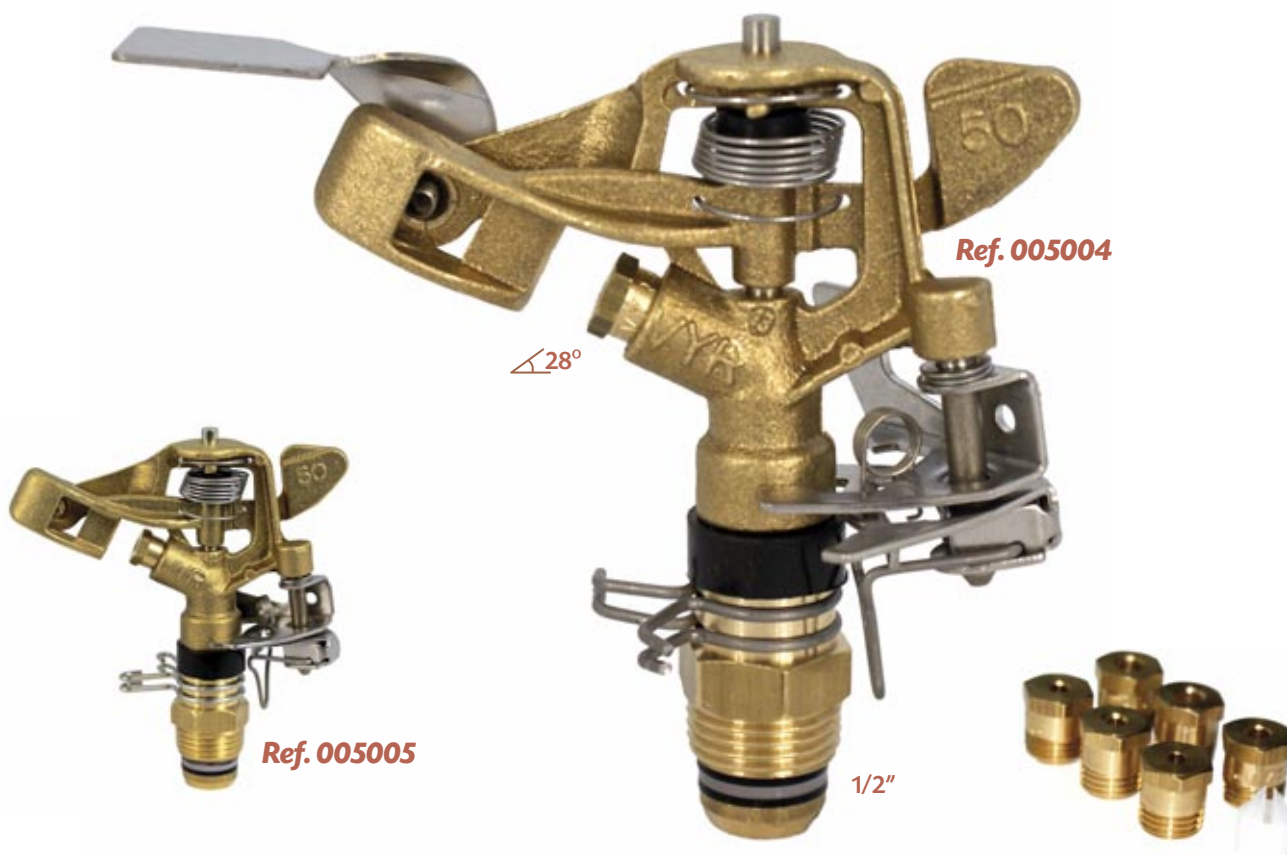
HIGH FLOW "PART CIRCLE"

- VYR-65	Pg. 104
- VYR-166	Pg. 106
- VYR-150	Pg. 108
- VYR-160	Pg. 110
- VYR-144 S	Pg. 112
- VYR-175	Pg. 114

HIGH FLOW GUNS "PART CIRCLE"

- VYR-100 GRILLO	Pg. 116
- VYR-157	Pg. 118

VYR-50 AG



VYR-50 AG · Part circle AG

GENERAL PROPERTIES:

- Riser-mounted impact sprinkler for gardening, agriculture, floriculture and greenhouses.
- 1/2" male connection.
- Made of brass and stainless steel.
- High-resistance rotating joints.
- Adjustable deflector plate.
- Irrigation area control system by adjustment of rotating clips.
- Adjustable jet breaker diffuser pin.

TECHNICAL SPECIFICATIONS:

- Range distance: 9 - 14 m / 30-46 ft.
- Flow: 240 - 1440 L/H / 63 - 380 GPH
- Working pressure: 1 - 4 BAR / 14 - 58 PSI.
- Area: Full or part circle.
- Nozzles: A single-jet nozzle.
- Trajectory angles: 28°
- Maximum stream height: 2,6 m / 8,5 ft.
- Rotation time: Depending on the pressure and the nozzles, the rotation will be constant and continuous.
- Uniformity coefficient higher than 90% in areas of 10x10R, 12x12T and 12x13T (meters).

APPLICATIONS:

- Public and private gardens.
- Horticultural plantations, floriculture and fruit trees.

MEASUREMENTS:

- Height: 13 cm / 5,1 in.
- Width: 12 cm / 4,7 in.
- Weight: 220 g / 0,50 Lbs
- Units per box: 50

OPTIONS:

- Threads in BSP or NPT under demand.
- Special design with a threaded shaft for fitting to the VYR-961 pop-up head.
- Self-compensating flow control valves of 1.5 and 2 BAR
- Assembled as a "complete support kit" on a 1.3 or 0.7 m galvanized stake with microtube and connectors.
- Assembled as a "complete support kit" on a brass, aluminium or plastic spike.
- Assembled as a "complete support kit" on an aluminium base.

MODELS:

- Ref. 005004:** Part (or full) circle with deflector.
- Ref. 005005:** Part (or full) circle without deflector.

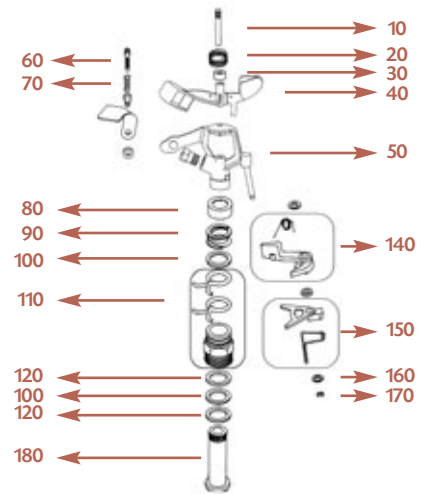
This sprinkler is strong and durable enough to work for many years in urban gardens in tough conditions, caused by vandalism and impact from maintenance equipment.

TABLES & PARTS

Technical guidance table VYR-50 AG

NOZZLE	Spacing (m) / Precipit. rate (mm/h) Spacing (ft) / Precipit. rate (in/h)							
	BAR	9x9	9x9 T	9x10	10x10 T	10x12 T	12x12 T	
	PSI	30x30	30x30 T	33x33	33x33 T	33x39 T	39x39 T	
3,6 mm 9/64"	2,5	9,7	9,0	7,6	7,3	6,6	5,5	
	36	0,38	0,35	0,31	0,28	0,21	0,20	
	3	10,6	9,8	8,3	8,0	7,2	6,0	
4 mm 5/32"	44	0,41	0,38	0,33	0,31	0,23	0,21	
	3,5	11,5	10,6	8,9	8,6	7,8	6,5	
	5	0,44	0,41	0,36	0,33	0,25	0,23	
4,4 mm 11/64"	2,5	12,0	11,1	9,3	9,0	8,1	6,8	
	36	0,46	0,43	0,38	0,35	0,26	0,24	
	3	13,1	12,1	10,2	9,8	8,9	7,4	
4,4 mm 11/64"	44	0,51	0,47	0,41	0,38	0,28	0,26	
	3,5	14,2	13,1	11,0	10,6	9,6	8,0	
	5	0,55	0,51	0,44	0,41	0,30	0,29	
4,4 mm 11/64"	2,5	14,5	13,4	11,3	10,9	9,8	8,2	
	36	0,56	0,52	0,46	0,42	0,31	0,29	
	3	15,9	14,7	12,4	11,9	10,7	8,9	
4,4 mm 11/64"	44	0,62	0,57	0,50	0,46	0,34	0,32	
	3,5	17,2	15,9	13,4	12,8	11,6	9,7	
	5	0,67	0,6	0,54	0,50	0,37	0,35	

T: Triang. CU < 85% CU 85-88% CU 88-92% CU > 92%



Performance nozzle tables VYR 50 AG

NOZZLE	2,4 mm	2,8 mm	3 mm	3,2 mm	3,5 mm	4 mm	4,4 mm							
	3/32"	7/64"	0,117"	1/8"	9/64"	5/32"	11/64"							
	L/H	Ø m	L/H	Ø m	L/H	Ø m	L/H	Ø m	L/H	Ø m				
BAR	GPH	Ø ft	GPH	Ø ft	GPH	Ø ft	GPH	Ø ft	GPH	Ø ft				
PSI														
1	240	18	310	19	360	19	400	20	480	20	620	21	760	22
15	63	59	82	62	95	62	106	66	127	66	164	69	201	72
1,5	300	19	370	19	440	20	480	21	570	21	750	22	910	23
22	79	62	98	62	116	66	127	69	150	69	198	72	240	75
2	340	20	420	20	500	21	550	21	660	22	850	23	1030	24
29	90	66	111	66	132	69	145	69	174	72	224	75	272	79
2,5	380	21	470	21	560	22	600	22	730	23	950	24	1150	25
36	100	69	124	69	148	72	158	72	193	75	251	79	304	82
3	410	22	520	22	610	23	660	23	800	23	1040	24	1270	25
44	108	72	137	72	161	75	174	75	211	75	275	79	335	82
3,5	450	23	560	23	650	23	710	23	860	24	1100	25	1350	26
5	119	75	148	75	172	75	187	75	227	79	290	82	356	85
4	480	24	600	24	690	24	760	24	910	25	1180	26	1440	27
58	127	79	158	79	182	79	201	79	240	82	312	85	380	89

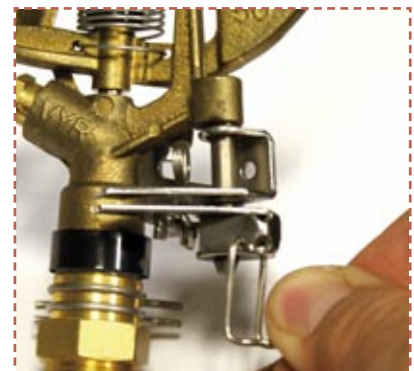
Solamente para aspersores circulares.
Only for full circle series.



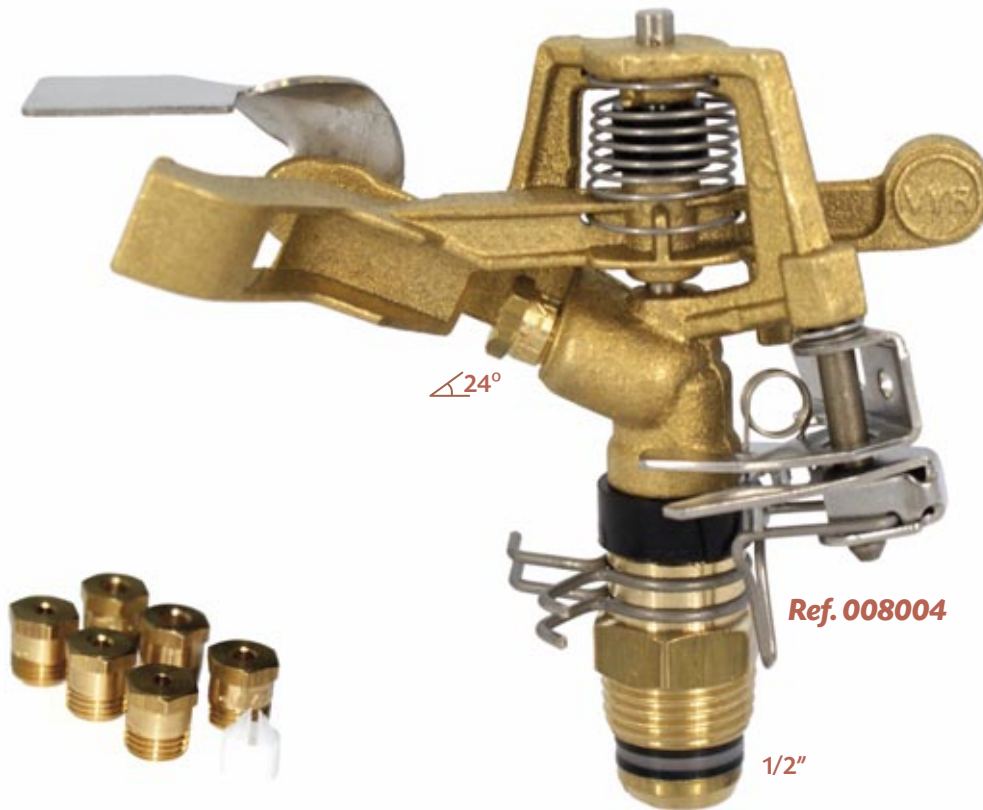
Standard Ø: Diameter range

- For optimum distribution avoid use in shady areas.
- Sprinklers will be supplied with standard nozzles unless otherwise specified.
- In order to calculate the flow, add the flows of the two nozzles. The range of the rear nozzle must be less than that of the main nozzle.
- These results has been obtained at indoor laboratory with 0 m/seg win velocity. Outdoor results may change range distances.

Easy part-circle adjustment



VYR-80 AG



VYR-80 AG · Part circle AG

GENERAL PROPERTIES:

- Riser-mounted impact sprinkler for gardening, agriculture, flower growing and greenhouses.
- 1/2" male connection.
- Made of brass and stainless steel.
- High-resistance rotating joints.
- Arm with anti-splash design.
- Adjustable deflector plate.
- Irrigation area system controlled by rotating clips.
- Adjustable jet breaker diffuser pin.

TECHNICAL SPECIFICATIONS:

- Range distance: 9 - 14 m / 30 - 46 ft.
- Flow: 460 - 1180 L/H / 121 - 312 GPH.
- Working pressure: 1,5 - 4 BAR / 22 - 58 PSI.
- Area: Full or part circle.
- Nozzles: A multi-jet nozzle.
- Trajectory angles: 24°
- Maximum stream height: 2.6 m / 8,5 ft.
- Rotation time: Adjustable. Depending on the pressure and the nozzles, the rotation will be constant and continuous.
- Uniformity coefficient higher than 90% in areas of 11x11R, 12x12T and 12x13T (meters).

APPLICATIONS:

- Public and private gardens.
- Horticultural plantations, floriculture and fruit trees.

MEASUREMENTS:

- Height: 14 cm / 5,5 in.
- Width: 12 cm / 4,7 in.
- Weight: 266 g / 0,58 Lbs.
- Units per box: 75

OPTIONS:

- Self-compensating flow control valves of 1.5 and 2 BAR
- Assembled as a "complete support kit" on a 1.3 or 0.7 m galvanized stake with microtube and connectors.
- Assembled as a "complete support kit" on a brass, aluminium or plastic spike.
- Assembled as a "complete support kit" on an aluminium base.

MODELS:

- Ref. 008001:** Full circle with deflector.
- Ref. 008002:** Full circle.
- Ref. 008004:** Part (or full) circle with deflector.
- Ref. 008005:** Part (or full) circle.

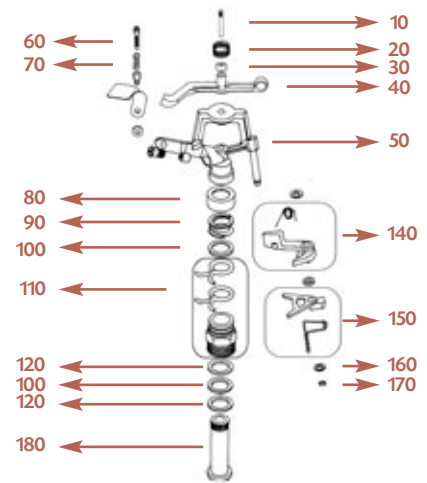
This sprinkler is strong and durable enough to work for many years in urban gardens in tough conditions, caused by vandalism and impact from maintenance equipment.

TABLES & PARTS

Technical guidance table VYR-80 AG

NOZZLE	Spacing (m) / Precipit. rate (mm/h) Spacing (ft) / Precipit. rate (in/h)						
	BAR PSI	9x9 30x30	9x9 T 30x30 T	10x10 33x33	10x10 T 33x33 T	10x12 33x39	12x12 T 39x39 T
3 mm 0,2"	2,5	7,7	7,4	6,3	5,3	4,6	3,5
	36	0,30	0,29	0,25	0,21	0,18	0,14
	3	8,2	7,8	6,6	6	5,2	4
3,5 mm 9/64"	44	0,32	0,31	0,26	0,24	0,20	0,16
	3,5	8,9	8,4	7,9	7,6	6,8	5,5
	51	0,35	0,33	0,31	0,30	0,27	0,22
4 mm 5/32"	2,5	9,7	9	7,6	7,3	6,6	5,5
	36	0,38	0,35	0,30	0,29	0,26	0,22
	3	10,6	9,8	8,3	8	7,2	6
3,5 mm 9/64"	44	0,42	0,39	0,33	0,31	0,28	0,24
	3,5	11,5	10,6	8,9	8,6	7,8	6,5
	5	0,45	0,42	0,35	0,34	0,31	0,26
4 mm 5/32"	2,5	12	11,1	9,3	9	8,1	6,8
	36	0,47	0,44	0,37	0,35	0,32	0,27
	3	13,1	12,1	10,2	9,8	8,9	7,4
3,5 mm 9/64"	44	0,52	0,48	0,40	0,39	0,35	0,29
	3,5	14,2	13,1	11	10,6	9,6	8
	5	0,56	0,52	0,43	0,42	0,38	0,31

T: Triang. CU < 85% CU 85-88% CU 88-92% CU > 92%



Performance nozzle tables VYR-80 AG

NOZZLE	3 mm 0,2"		3,5 mm 9/64"		4 mm 5/32"	
	BAR PSI	L/H GPH Ø m Ø ft	L/H GPH Ø m Ø ft	L/H GPH Ø m Ø ft	L/H GPH Ø m Ø ft	L/H GPH Ø m Ø ft
1,5	450	20	580	21	730	22
22	119	66	153	69	193	72
2	510	21	660	22	850	23
29	135	69	174	72	224	75
2,5	550	22	740	23	950	24
36	145	72	195	75	251	79
3	630	23	810	23	1030	24
44	166	75	214	75	272	79
3,5	680	23	870	24	1110	25
51	180	75	230	79	293	82
4	720	24	930	25	1180	26
58	190	79	246	82	312	85

Solamente para aspersores circulares.
Only for full circle series.

- For optimum distribution avoid use in shady areas.
- Sprinklers will be supplied with standard nozzles unless otherwise specified.
- In order to calculate the flow, add the flows of the two nozzles. The range of the rear nozzle must be less than that of the main nozzle.
- These results has been obtained at indoor laboratory with 0 m/seg win velocity. Outdoor results may change range distances.

Standard Ø: Diameter range



VYR-803 AG



VYR-803 AG · Part circle AG

GENERAL PROPERTIES:

- Riser-mounted impact sprinkler for gardening, horticulture, agriculture, floriculture and greenhouses.
- 1/2" male connection.
- Made of plastic and stainless steel.
- High-resistance rotating joints.
- Arm with anti-splash design.
- Spring tension regulation system.
- Upper "clip" for positioning inside a casing (VYR-962 AQUA-PRO).
- Adjustable diffuser pin.
- Irrigation area system controlled by rotating clips.
- Adjustable jet breaker diffuser pin.
- Its versatility and adaptability to all types of gardens make this model one of most common for home gardening.

TECHNICAL SPECIFICATIONS:

- Range distance: 10 - 13 m / 33 - 43 ft.
- Flow: 460 - 1180 L/H / 121 - 312 GPH.
- Working pressure: 1,5 - 4 BAR / 22 - 58 PSI.
- Area: Full or part circle.
- Nozzles: A bayonet nozzle (color coded).
- Trajectory angles: 25°
- Maximum stream height: 2.5 m / 8,2 ft.
- Rotation time: Adjustable. Depending on the pressure and the nozzles, the rotation will be constant and continuous.
- Uniformity coefficient higher than 90% in areas of 10x10R, 12x12T and 12x13T (metros).

APPLICATIONS:

- Public and private gardens.
- Horticultural plantations, floriculture and fruit trees.

MEASUREMENTS:

- Height: 13 cm / 6,3 in.
- Width: 12 cm / 4,7 in.
- Weight: 80 g / 0,18 Lbs
- Units per box: 200

OPTIONS:

- "Compact" Model with quick connection on a 130 cm or 70 cm stake.
- Special design with a threaded shaft for fitting to the pop-up head VYR-961.
- Self-compensating flow control valves of 1.5 and 2 BAR.
- Assembled as a "complete support kit" on a 1.3 or 0.7 m galvanized stake with microtube and connectors.
- Assembled as a "complete support kit" on a brass, aluminium or plastic spike.
- Assembled as a "complete support kit" on an aluminium base.

MODELS:

Ref. 008030: Sprinkler VYR-803.

This model is also used in low flow agricultural irrigation systems as a complementary part-circle model to VYR-26 and VYR-16.

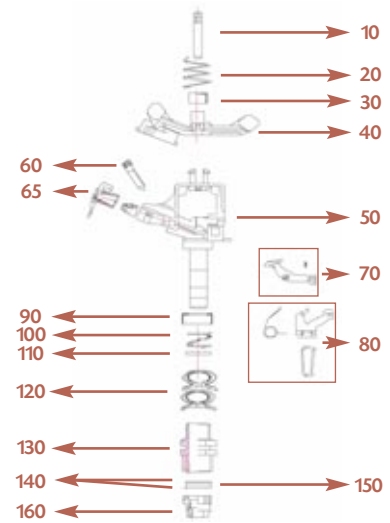


TABLES & PARTS

Technical guidance table VYR-803 AG

NOZZLE	Spacing (m) / Precipit. rate (mm/h) Spacing (ft) / Precipit. rate (in/h)						
	BAR PSI	9x9 30x30	9x9 T 30x30 T	9x10 T 30x33 T	10x10 33x33	10x12 33x39	12x12 39x39
3 mm 0,12"	2,5	6	5,6	4,7	4,9	4,1	3,4
	36	0,24	0,22	0,19	0,19	0,16	0,13
	3	6,8	6,2	5,3	5,5	4,6	3,8
3,5 mm 9/64"	44	0,27	0,24	0,21	0,22	0,18	0,15
	3,5	7,4	6,8	5,8	6	5	4,2
	51	0,29	0,27	0,23	0,24	0,20	0,17
4 mm 5/32"	2,5	8,7	8	6,8	7	5,9	4,9
	36	0,34	0,31	0,27	0,28	0,23	0,19
	3	9,7	9	7,6	7,9	6,6	5,5
4 mm 5/32"	44	0,38	0,35	0,30	0,31	0,26	0,22
	3,5	10,6	9,8	8,3	8,6	7,2	6
	51	0,42	0,39	0,33	0,34	0,28	0,24
4 mm 5/32"	2,5	10,7	9,9	8,3	8,7	7,2	6
	36	0,42	0,39	0,33	0,34	0,28	0,24
	3	12	11,1	9,3	9,7	8,1	6,8
4 mm 5/32"	44	0,47	0,44	0,37	0,38	0,32	0,27
	3,5	13,1	12,1	10,2	10,6	8,9	7,4
	51	0,52	0,48	0,40	0,42	0,35	0,29

T: Triang. CU < 85% CU 85-88% CU 88-92% CU > 92%



Performance nozzle tables VYR-803 AG

NOZZLE	3 mm 0,12"		3,5 mm 9/64"		4 mm 5/32"	
	BAR PSI	L/H GPH Ø m Ø ft	L/H GPH Ø m Ø ft	L/H GPH Ø m Ø ft	L/H GPH Ø m Ø ft	L/H GPH Ø m Ø ft
2	360	17	540	21	684	23
29	95	56	143	69	181	75
2,5	468	23	612	24	756	25
36	124	75	162	79	200	82
3	504	23	684	24	828	25
44	133	75	181	79	219	82
3,5	540	24	720	25	900	26
51	143	79	190	82	238	85
4	576	24	792	25	936	26
58	152	79	209	82	247	85

- For optimum distribution avoid use in shady areas.
- Sprinklers will be supplied with standard nozzles unless otherwise specified.
- In order to calculate the flow, add the flows of the two nozzles. The range of the rear nozzle must be less than that of the main nozzle.
- These results has been obtained at indoor laboratory with 0 m/seg win velocity. Outdoor results may change range distances.

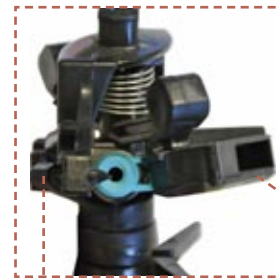
Standard Ø: Diameter range



Easy part-circle adjustment



3 positions for the spring tension-speed selection



Difuser pin

Antiback-splash arm

VYR-802 AG



Ref. 008020



Ref. 00823



Ref. 008021

VYR-802 AG · Part Circle AG

GENERAL PROPERTIES:

- Part-circle plastic impact sprinkler "AQUA-PRO" serie for gardening, agriculture, floriculture and greenhouses.
- 1/2" male connection.
- Made of plastic, brass and stainless steel.
- High-resistance rotating joints.
- Arm with anti-splash design.
- Adjustable deflector plate.
- Upper "clip" for positioning inside a casing (VYR-962 AQUA-PRO).
- Irrigation area system controlled by rotating clips.
- Adjustable jet breaker diffuser pin.
- Its versatility and adaptability to all type of gardens make this model one of most common for home gardening.
- This model is also used in low flow agricultural irrigation systems as a complementary part-circle model to VYR-26 and VYR-16.

TECHNICAL SPECIFICATIONS:

- Reach: 10 - 13 m / 33 - 43 ft.
- Flow: 460 - 1180 L/H / 121 - 312 GPH.
- Working pressure: 1,5 - 4 BAR / 22 - 58 PSI.
- Area: Full or part circle.
- Nozzles: A multi-jet nozzle.
- Trajectory angles: 25°
- Maximum stream height: 2,5 m / 8,2 ft.
- Rotation time: Adjustable. Depending on the pressure and the nozzles, the rotation will be constant and continuous.
- Uniformity coefficient higher than 90% in areas of 10x10R, 12x12T and 12x13T (meters).

APPLICATIONS:

- Public and private gardens.
- Horticultural plantations, floriculture and fruit trees.

MEASUREMENTS:

- Height: 13 cm / 5,1 in.
- Width: 12 cm / 4,7 in.
- Weight: 80 g / 0,18 Lbs
- Units per box: 150

OPTIONS:

- Available with a brass arm for faster and more consistent rotation (in areas with strong winds).
- Self-compensating flow control valves of 2,5 BAR
- Assembled as a "complete support kit" on a 1.3 or 0.7 m galvanized stake with microtube and connectors.
- Assembled as a "complete support kit" on a brass, aluminium or plastic spike.
- Assembled as a "complete support kit" on an aluminium base.

MODELS:

- Ref. 008020: VYR-802 part-circle (standard).
- Ref. 008023: VYR-802 full-circle.
- Ref. 008021: VYR-802 part-circle with brass arm.
- Ref. 008025: VYR-802 full-circle with brass arm.

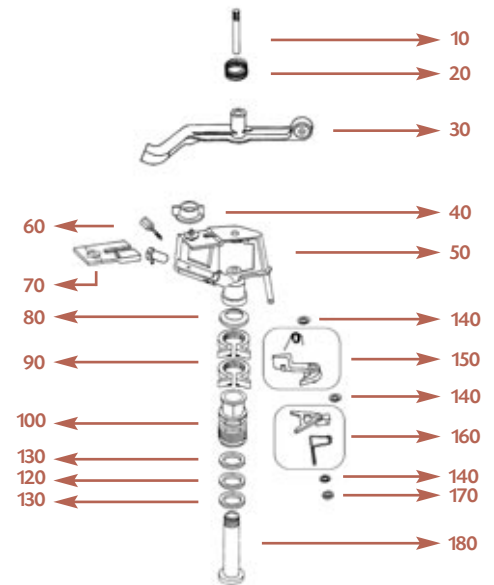


TABLES & PARTS

Technical guidance table VYR-802 AG

NOZZLE	Spacing (m) / Precipit. rate (mm/h) Spacing (ft) / Precipit. rate (in/h)							
	BAR PSI	9x9 30x30	9x9 T 30x30 T	9x10 T 33x33 T	10x10 T 33x33 T	10x12 33x39	12x12 39x39	
3 mm 0,12"	2,5 36	6,7 0,26	6 0,24	4,6 0,18	4,3 0,17	4,1 0,16	3,5 0,14	
	3 44	7,6 0,30	6,8 0,27	5,3 0,21	5 0,20	4,7 0,19	4 0,16	
	3,5 51	8,5 0,33	7,6 0,30	5,9 0,23	5,6 0,22	5,3 0,21	4,5 0,18	
3,5 mm 9/64"	2,5 36	9 0,35	8,1 0,32	6,3 0,25	6 0,24	5,6 0,22	4,8 0,19	
	3 44	10,1 0,40	9,1 0,36	7,2 0,28	6,8 0,27	6,4 0,25	5,4 0,21	
	3,5 51	11,2 0,44	10,1 0,40	8 0,31	7,6 0,30	7,1 0,28	6 0,24	
4 mm 5/32"	2,5 36	11,5 0,45	10,4 0,41	8,3 0,33	7,9 0,31	7,3 0,29	6,2 0,24	
	3 44	12,9 0,51	11,7 0,46	9,4 0,37	8,9 0,35	8,2 0,32	6,9 0,27	
	3,5 51	14,2 0,56	12,9 0,51	10,4 0,41	9,8 0,39	9,1 0,36	7,7 0,30	

T: Triang. CU < 85% CU 85-88% CU 88-92% CU > 92%



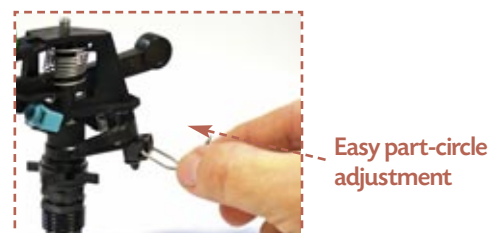
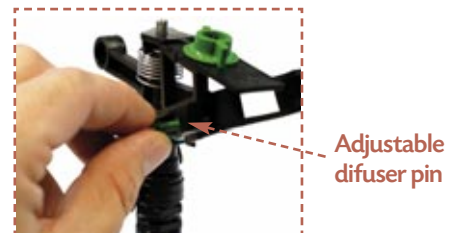
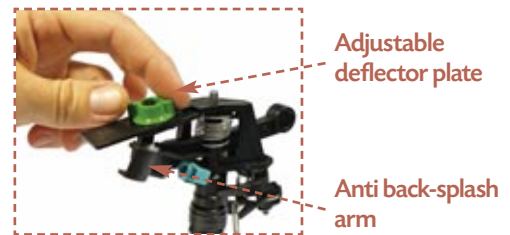
Performance nozzle tables VYR 802 AG

NOZZLE	3 mm 0,12"		3,5 mm 9/64"		4 mm 5/32"	
	BAR PSI	L/H GPH Ø m Ø ft	L/H GPH Ø m Ø ft	L/H GPH Ø m Ø ft	L/H GPH Ø m Ø ft	L/H GPH Ø m Ø ft
1,5	450	20	580	21	730	22
22	119	66	153	69	193	72
2	510	21	660	22	850	23
29	135	69	174	72	225	75
2,5	550	22	740	23	950	24
36	145	72	195	75	251	79
3	630	23	810	23	1030	24
44	166	75	214	75	272	79
3,5	680	23	870	24	1110	25
51	180	75	230	79	293	82
4	720	24	930	25	1180	26
58	190	79	246	82	312	85

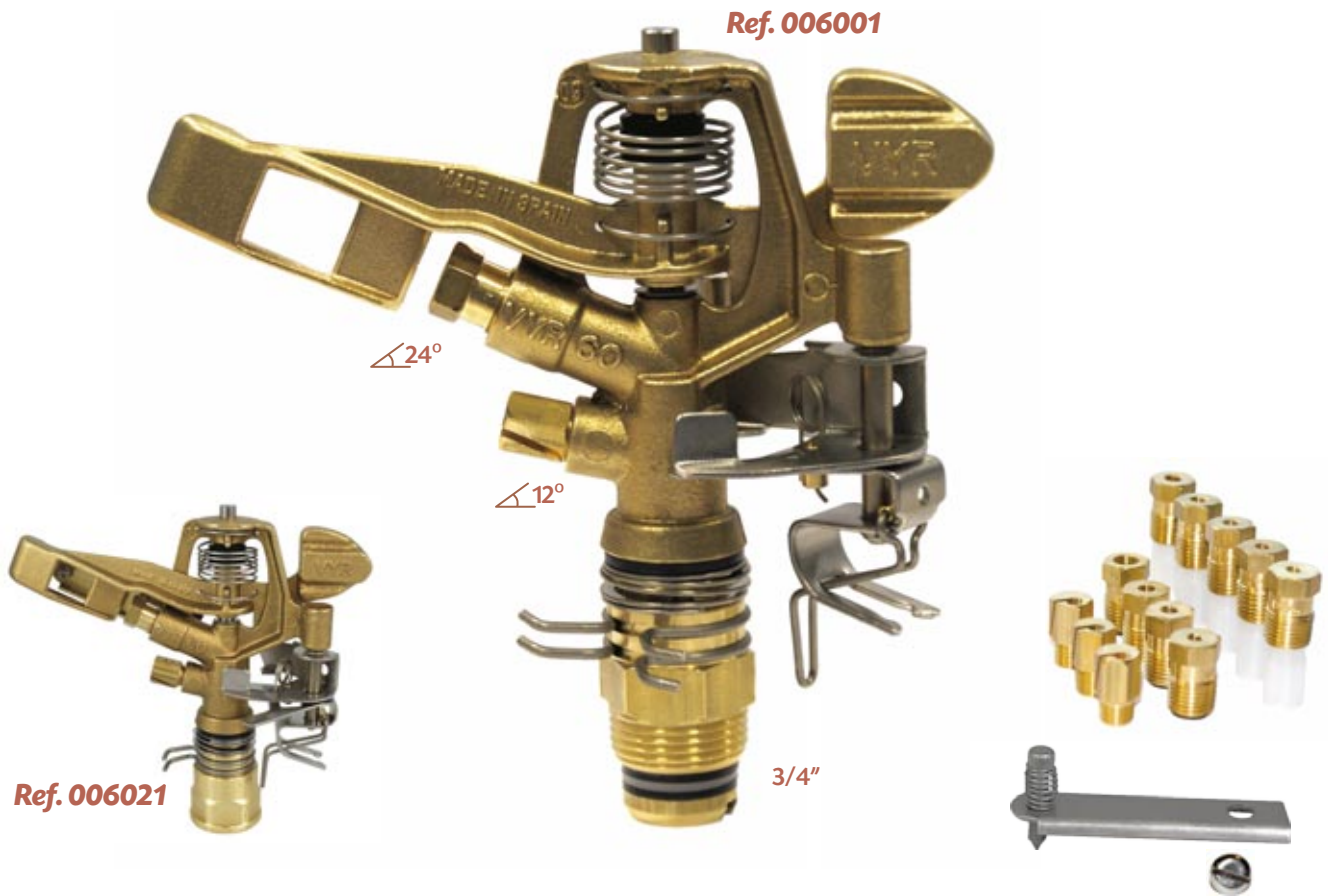
Solamente para aspersores circulares.
Only for full circle series.

Standard Ø: Diameter range

- Sprinklers will be supplied with standard nozzles unless otherwise specified.
- In order to calculate the flow, add the flows of the two nozzles. The range of the rear nozzle must be less than that of the main nozzle.
- These results has been obtained at indoor laboratory with 0 m/seg win velocity. Outdoor results may change range distances.



VYR-60



VYR-60 · Part circle AG

GENERAL PROPERTIES:

- Part circle impact sprinkler, medium flow.
- 3/4" male or female connection.
- Made of brass and stainless steel.
- High-resistance rotating joints.
- Nozzle angles of 24° and 12°
- Part circle mechanical system using clips that are very easy and quick to adjust.
- Used in full coverage irrigation with medium flow to cover the side and corner areas.

TECHNICAL SPECIFICATIONS:

- Reach: 12 - 19 m / 39 - 62 ft.
- Flow: 800 - 3270 L/H / 211 - 863 GPH
- Working pressure: 1.75 - 5 BAR / 25 - 72 PSI.
- Area: Part or full circle.
- Nozzles: One main long reach nozzle and a secondary short reach nozzle.
- Trajectory angles: 24° and 12°
- Maximum stream height: 3.8 m / 12,5 ft.
- Rotation time: Depending on the pressure and the nozzles, the rotation will be constant and continuous.
- Uniformity coefficient higher than 90% in areas of 15x18R, 18x18T and 18x20T (meters).

APPLICATIONS:

- Horticultural plantations, cereals, tubers, leguminous plants and fruit trees.

MEASUREMENTS:

- Height: 16 cm / 6,3 in.
- Width: 18 cm / 7,1 in.
- Weight: 608 g / 1,34 Lbs.
- Units per box: 25

OPTIONS:

- Threads in BSP or NPT under demand.
- Plate with diffuser pin for the main jet.
- Foldable tripod for mobile installation.

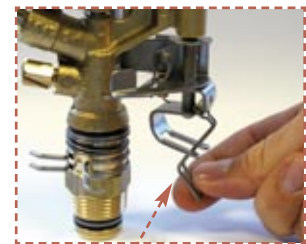
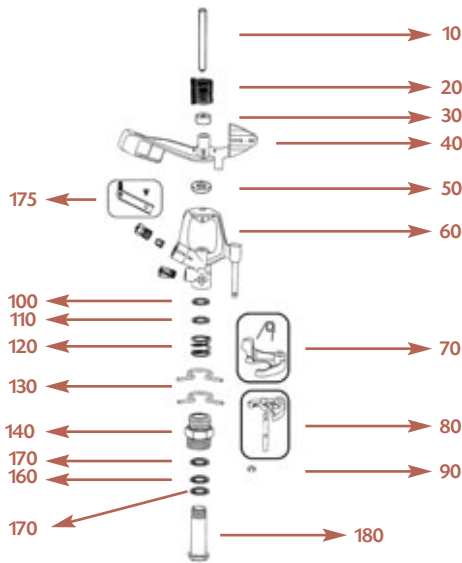
MODELS:

- **Ref. 006001:** Without diffuser pin. Male.
- **Ref. 006003:** With diffuser pin. Male.
- **Ref. 006020:** Without diffuser pin. Female.
- **Ref. 006021:** With diffuser pin. Female.
- **Ref. 106000:** Diffuser pin assembly.

Special mechanical and hydraulic design for energy saving and an optimal coverage coefficient.



TABLES & PARTS



Easy to unblock the part circle sector part

Performance nozzle tables VYR-60

Long range nozzles (long vane) + plug

NOZZLE	3,2 mm 1/8"		3,6 mm 9/64"		4 mm 5/32"		4,4 mm 11/64"		4,8 mm 3/16"		5,2 mm 13/64"		5,6 mm 7/32"	
	BAR PSI	L/H GPH	Ø m Ø ft	L/H GPH	Ø m Ø ft	L/H GPH	Ø m Ø ft	L/H GPH	Ø m Ø ft	L/H GPH	Ø m Ø ft	L/H GPH	Ø m Ø ft	L/H GPH
2,5	620	26	790	26,5	970	27,5	1160	30	1390	32	1640	32,5	1720	34
36	164	85	209	87	256	90	306	98	367	105	433	107	454	112
3	680	26	860	26,5	1050	28	1270	30,5	1510	32	1790	33,5	1880	35
44	180	85	227	87	277	92	335	100	399	105	473	110	496	115
3,5	740	26,5	930	27	1140	29,5	1380	31,5	1640	33	1930	34,5	2140	36
51	195	87	246	89	301	97	364	103	433	108	510	113	565	118
4	790	26,5	1000	28	1220	29,5	1470	32,5	1750	34	2060	35,5	2240	37
58	209	87	264	92	322	97	388	107	462	112	544	116	591	121
4,5	840	27	1060	29	1290	30	1550	33,5	1860	35	2180	36	2410	38,5
65	222	89	280	95	341	98	409	110	491	115	576	118	636	126
5	880	27,5	1120	29,5	1360	30,5	1640	34	1960	36	2290	37,5	2520	39,5
73	232	90	296	97	359	100	433	112	517	118	605	123	665	130
5,5	930	28	1170	30	1430	31	1720	35	2060	36,5	2380	38	2640	40
80	246	92	309	98	378	102	454	115	544	120	628	125	697	131

(Sprinkler at 1m height)



Long range nozzles (long vane) + short range nozzle

NOZZLE	3,2 x 2,4 mm 1/8 x 3/32"		3,6 x 2,4 mm 9/64 x 3/32"		4 x 2,4 mm 5/32 x 3/32"		4,4 x 2,4 mm 11/64 x 3/32"		4,4 x 2,8 mm 11/64 x 7/64"		4,8 x 2,8 mm 3/16 x 7/64"		4,8 x 3,2 mm 3/16 x 1/8"		5,2 x 3,2 mm 13/64 x 1/8"		5,6 x 3,2 mm 7/32 x 1/8"	
	BAR PSI	L/H GPH	Ø m Ø ft	L/H GPH	Ø m Ø ft	L/H GPH	Ø m Ø ft	L/H GPH	Ø m Ø ft	L/H GPH	Ø m Ø ft	L/H GPH	Ø m Ø ft	L/H GPH	Ø m Ø ft	L/H GPH	Ø m Ø ft	L/H GPH
2,5	980	26	1150	26,5	1320	27,5	1520	30	1730	30	1895	32	2050	32	2310	32,5	2460	34
36	259	85	304	87	349	90	402	98	457	98	501	105	542	105	610	107	650	112
3	1070	26	1250	26,5	1450	28	1670	30,5	1800	30,5	2100	32	2240	32	2520	33,5	2730	35
44	283	85	330	87	383	92	441	100	476	100	555	105	592	105	666	110	721	115
3,5	1160	26,5	1350	27	1560	29,5	1800	31,5	1915	31,5	2255	33	2420	33	2720	34,5	2915	36
51	306	87	357	89	412	97	476	103	506	103	596	108	639	108	719	113	770	115
4	1240	26,5	1450	28	1670	29,5	1920	32,5	2070	32,5	2400	34	2590	34	2910	35,5	3035	37
58	328	87	383	92	441	97	507	107	547	107	634	112	684	112	769	116	802	121
4,5	1320	27	1540	29	1770	30	2030	33,5	2165	33,5	2545	35	2750	35	3070	36	3170	38,5
65	349	89	407	95	468	98	536	110	572	110	672	115	726	115	811	118	837	126
5	1360	27,5	1620	29,5	1870	30,5	2140	34	2300	34	2680	36	2880	36	3230	37,5	3300	39,5
73	359	90	428	97	494	100	565	112	608	112	708	118	761	118	853	123	872	130
5,5	1460	28	1700	30	1960	31	2240	35	2400	35	2810	36,5	3010	36,5	3360	38	3430	40
80	386	92	449	98	518	102	592	115	634	115	742	120	795	120	888	125	906	131

Standard Ø: Diameter range

(Sprinkler at 1m height)

- For optimum distribution avoid use in shady areas.
- Sprinklers will be supplied with standard nozzles unless otherwise specified.
- In order to calculate the flow, add the flows of the two nozzles. The range of the rear nozzle must be less than that of the main nozzle.
- These results has been obtained at indoor laboratory with 0 m/seg win velocity. Outdoor results may change range distances.



VYR-66



VYR-66 · Part circle AG

GENERAL PROPERTIES:

- Part circle impact sprinkler, medium flow.
- 3/4" male or female connection.
- Made of plastic and stainless steel.
- Arm with 2 steel weights inserted.
- High-resistance rotating joints.
- Nozzle angles of 30° and 11°
- Part circle mechanical system using clips that are very easy and quick to adjust.
- Used in full coverage irrigation with medium flow to cover the side and corner areas.
- Special mechanical and hydraulic design for energy saving and an optimal coverage coefficient.

TECHNICAL SPECIFICATIONS:

- Reach: 12 - 19 m / 39 - 62 ft.
- Flow: 800 - 3,270 L/H / 211 - 863 GPH
- Working pressure: 1.75 - 5 BAR / 25 - 72 PSI.
- Area: Part or full circle.
- Nozzles: One main long reach nozzle and a secondary short reach nozzle.
- Trajectory angles: 30° and 11°
- Maximum stream height: 4.0 m / 13,1 ft.
- Rotation time: Depending on the pressure and the nozzles, the rotation will be constant and continuous.
- Uniformity coefficient higher than 90% in areas of 15x18R, 18x18T and 20x18T (meters).

APPLICATIONS:

- Horticultural plantations, cereals, tubers, leguminous and fruit trees.

MEASUREMENTS:

- Height: 16 cm / 6,3 in.
- Width: 18 cm / 7,1 in.
- Weight: 182 g / 0,40 Lbs.
- Units per box: 50

OPTIONS:

- Threads in BSP or NPT under demand.
- Plate with diffuser pin for the main jet.
- Foldable tripod for mobile installation.

MODELS:

Ref. 006600: Male without diffuser pin.

Ref. 006610: Male with diffuser pin.

Ref. 006620: Female without diffuser pin.

Ref. 006621: Female with diffuser pin.

Ref. 006600AF: Male without diffuser pin + AF Cap.

Ref. 006610AF: Male with diffuser pin + AF Cap.

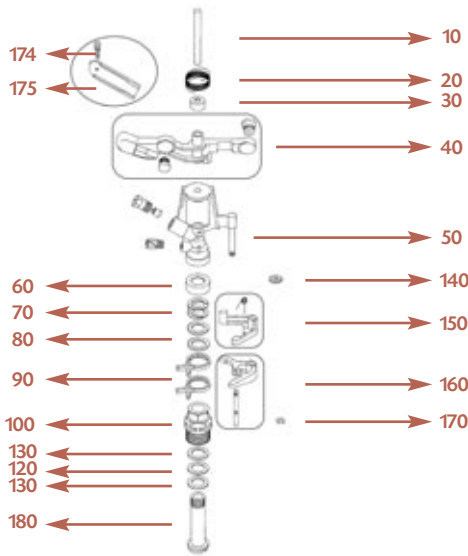
Ref. 006620AF: Female without diffuser pin + AF Cap.

Ref. 006621AF: Female without diffuser pin + AF Cap.

Ref. 106600: Diffuser pin assembly.



TABLES & PARTS



Arm weights



Performance nozzle tables VYR-66

Long range nozzles (long vane) + plug

NOZZLE	3,2 mm 1/8"		3,6 mm 9/64"		4 mm 5/32"		4,4 mm 11/64"		4,8 mm 3/16"		5,2 mm 13/64"		5,6 mm 7/32"	
	BAR PSI	L/H GPH	Ø m Ø ft	L/H GPH	Ø m Ø ft	L/H GPH	Ø m Ø ft	L/H GPH	Ø m Ø ft	L/H GPH	Ø m Ø ft	L/H GPH	Ø m Ø ft	L/H GPH
2,5	620	26	790	26,5	970	27,5	1160	29	1390	31	1640	31,5	1720	33
36	164	85	209	87	256	90	306	95	367	102	433	103	454	108
3	680	26	860	26,5	1050	28	1270	29,5	1510	32	1790	32,5	1880	34
44	180	85	227	87	277	92	335	97	399	105	473	107	496	112
3,5	740	26,5	930	27	1140	29,5	1380	31	1640	33	1930	33,5	2140	35
51	195	87	246	89	301	97	364	102	433	108	510	110	565	115
4	790	26,5	1000	28	1220	29,5	1470	32	1750	33,5	2060	34,5	2240	36
58	209	87	264	92	322	97	388	105	462	110	544	113	591	118
4,5	840	27	1060	29	1290	30	1550	32,5	1860	34	2180	35	2410	36,5
65	222	89	280	95	341	98	409	107	491	112	576	115	636	120
5	880	27,5	1120	29,5	1360	30,5	1640	33	1960	34,5	2290	35,5	2520	37,5
73	232	90	296	97	359	100	433	108	517	113	605	116	665	123
5,5	930	28	1170	30	1430	31	1720	34	2060	36	2380	36	2640	39
80	246	92	309	98	378	102	454	112	544	118	628	118	697	128

(Sprinkler at 1m height)



Easy part-circle adjustment

Long range nozzles (long vane) + short range nozzle

NOZZLE	3,2 x 2,4 mm 1/8 x 3/32"		3,6 x 2,4 mm 9/64 x 3/32"		4 x 2,4 mm 5/32 x 3/32"		4,4 x 2,4 mm 11/64 x 3/32"		4,4 x 2,8 mm 11/64 x 7/64"		4,8 x 2,8 mm 3/16 x 7/64"		4,8 x 3,2 mm 3/16 x 1/8"		5,2 x 3,2 mm 13/64 x 1/8"		5,6 x 3,2 mm 7/32 x 1/8"	
	BAR PSI	L/H GPH	Ø m Ø ft	L/H GPH	Ø m Ø ft	L/H GPH	Ø m Ø ft	L/H GPH	Ø m Ø ft	L/H GPH	Ø m Ø ft	L/H GPH	Ø m Ø ft	L/H GPH	Ø m Ø ft	L/H GPH	Ø m Ø ft	L/H GPH
2,5	980	26	1150	26,5	1320	27,5	1520	29	1730	30,6	1895	31	2050	31	2310	31,5	2460	33
36	259	85	304	87	348	90	401	95	457	100	500	102	541	102	610	103	649	108
3	1070	26	1250	26,5	1450	28	1670	29,5	1800	31,6	2100	32	2240	32	2520	32,5	2730	34
44	282	85	330	87	383	92	441	97	475	104	554	105	591	105	665	107	721	112
3,5	1160	26,5	1350	27	1560	29,5	1800	31	1915	32	2255	33	2420	33	2720	33,5	2915	35
51	306	87	356	89	412	97	475	102	506	105	595	108	639	108	718	110	770	115
4	1240	26,5	1450	28	1670	29,5	1920	32	2070	32,4	2400	33,5	2590	33,5	2910	34,5	3035	36
58	327	87	383	92	441	97	507	105	546	106	634	110	684	110	768	113	801	118
4,5	1320	27	1540	29	1770	30	2030	32,5	2165	33	2545	34	2750	34	3070	35	3170	36,5
65	348	89	407	95	467	98	536	107	572	108	672	112	726	112	810	115	837	120
5	1360	27,5	1620	29,5	1870	30,5	2140	33	2300	33,4	2680	34,5	2880	34,5	3230	35,5	3300	37,5
73	359	90	428	97	494	100	565	108	607	110	708	113	760	113	853	116	871	123
5,5	1460	28	1700	30	1960	31	2240	34	2400	33,8	2810	36	3010	36	3360	36	3430	39
80	385	92	449	98	517	102	591	112	634	111	742	118	795	118	887	118	906	128

Standard Ø: Diameter range

(Sprinkler at 1m height)

- For optimum distribution avoid use in shady areas.
- Sprinklers will be supplied with standard nozzles unless otherwise specified.
- In order to calculate the flow, add the flows of the two nozzles. The range of the rear nozzle must be less than that of the main nozzle.
- These results has been obtained at indoor laboratory with 0 m/seg win velocity. Outdoor results may change range distances.

VYR-67



Ref. 006703



VYR-67 · Part circle AG

GENERAL PROPERTIES:

- Part circle impact sprinkler, medium flow.
- 3/4" male or female connection.
- Made of plastic and stainless steel.
- Arm without weights.
- High-resistance rotating joints.
- Two (2) bayonet nozzle with angles of 30° and 12°
- Part circle mechanical system using omega-clips that are very easy and quick to adjust.
- Used in full coverage irrigation with medium flow to cover the side.

TECHNICAL SPECIFICATIONS:

- Reach: 12 - 19 m / 39 - 62 ft.
- Flow: 800 - 3270 L/H / 211-863 GPH
- Working pressure: 1,75 - 5 BAR / 25 - 72 PSI.
- Area: Part or full circle.
- Nozzles: One main long reach nozzle and a secondary short reach nozzle.
- Trajectory angles: 30° and 12°
- Maximum stream height: 4 m / 13,1 ft.
- Rotation time: Depending on the pressure and the nozzles, the rotation will be constant and continuous.
- Uniformity coefficient higher than 90% in areas of 15x18R, 18x18T and 18x20T (meters).

APPLICATIONS:

- Horticultural plantations, cereals, tubers, leguminous plants and fruit trees.

MEASUREMENTS:

- Height: 16 cm / 6,3 in.
- Width: 18 cm / 7,1 in.
- Weight: 160 g / 0,40 Lbs.
- Units per box: 50

OPTIONS:

- Threads in BSP or NPT under demand.
- Plate with diffuser pin for the main jet.
- Foldable tripod for mobile installation.

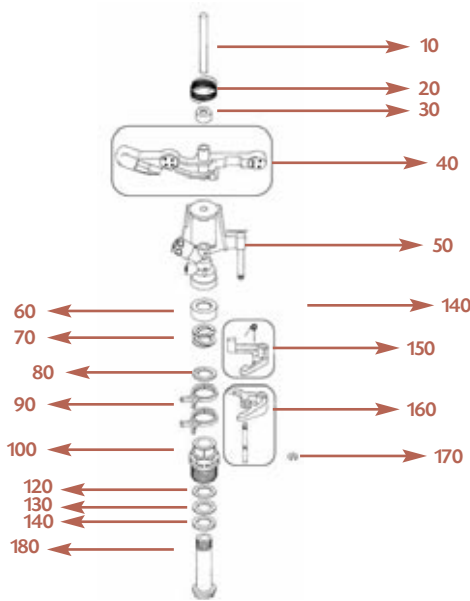
MODELS:

- Ref. 006700: Male.
- Ref. 006720: Female.
- Ref. 006703: Male + Cap.
- Ref. 006723: Female + Cap.

Special mechanical and hydraulic design for energy saving and an optimal coverage coefficient.



TABLES & PARTS



Performance nozzle tables VYR-67

Long range nozzles (long vane) + plug

NOZZLE	3,6 mm 9/64"		4 mm 5/32"		4,4 mm 11/64"		4,8 mm 3/16"		5,2 mm 13/64"		5,6 mm 7/32"	
	BAR PSI	L/H GPH	Ø m Ø ft	L/H GPH	Ø m Ø ft	L/H GPH	Ø m Ø ft	L/H GPH	Ø m Ø ft	L/H GPH	Ø m Ø ft	L/H GPH
2	695	26	930	26,5	1085	27,5	1290	29	1475	31	1550	32,5
29	183	85	246	87	286	90	341	95	389	102	409	107
2,5	770	26	1045	26,5	1225	28	1430	29,5	1640	32	1720	33,5
36	203	85	276	87	323	92	378	97	433	105	454	110
3	845	26,5	1150	27	1330	29,5	1570	31	1800	33	1880	34,5
44	223	87	304	89	351	97	414	102	475	108	496	113
3,5	910	26,5	1240	28	1445	29,5	1670	32	1955	33,5	2140	35
51	240	87	327	92	381	97	441	105	516	110	565	115
4	970	27	1320	29	1560	30	1825	32,5	2110	34	2240	35,5
58	256	89	348	95	412	98	482	107	557	112	591	116
4,5	1025	27,5	1415	29,5	1662	30,5	1950	33	2225	34,5	2410	36
65	271	90	374	97	439	100	515	108	587	113	636	118



Tool for quick-coupling bayonet nozzles

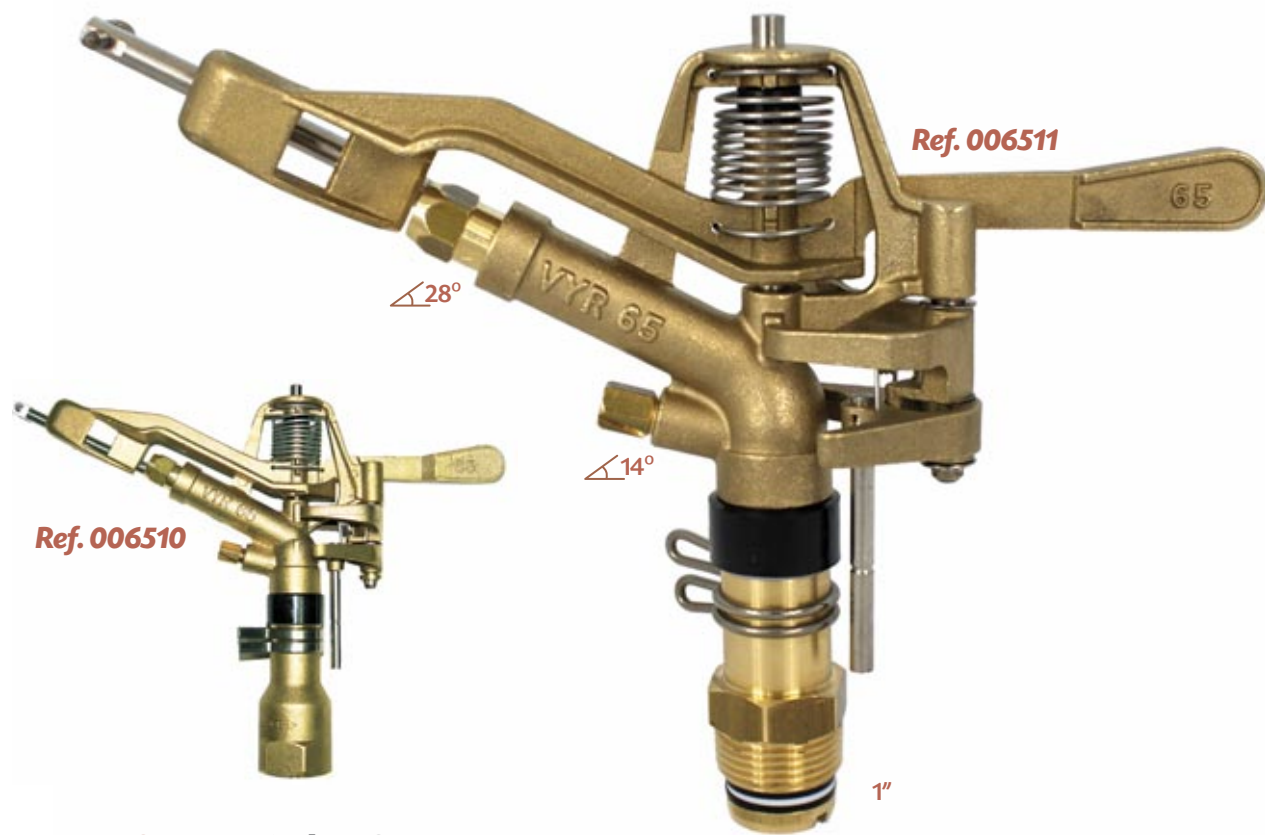
Long range nozzles (long vane) + short range nozzle

NOZZLE	3,6 x 2,6 mm 9/64 x 3/24"		4 x 2,4 mm 5/32 x 3/32"		4 x 2,6 mm 5/32 x 3/24"		4,4 x 2,6 mm 11/64 x 3/24"		4,8 x 3,2 mm 3/16 x 1/8"		5,2 x 3,2 mm 13/64 x 1/8"		5,6 x 3,2 mm 7/32 x 1/8"	
	BAR PSI	L/H GPH	Ø m Ø ft	L/H GPH	Ø m Ø ft	L/H GPH	Ø m Ø ft	L/H GPH	Ø m Ø ft	L/H GPH	Ø m Ø ft	L/H GPH	Ø m Ø ft	L/H GPH
2	1010	26	1205	26,5	1230	26,5	1375	27,5	1770	29	1980	31	2190	32,5
29	267	85	318	87	325	87	363	90	467	95	523	102	578	107
2,5	1115	26	1320	26,5	1390	26,5	1535	28	2010	29,5	2210	32	2460	33,5
36	294	85	348	87	367	87	405	92	531	97	583	105	649	110
3	1220	26,5	1450	27	1535	27	1715	29,5	2230	31	2430	33	2730	34,5
44	322	87	383	89	405	89	453	97	589	102	642	108	721	113
3,5	1320	26,5	1560	28	1655	28	1860	29,5	2375	32	2660	33,5	2915	35
51	348	87	412	92	437	92	491	97	627	105	702	110	770	115
4	1430	27	1670	29	1770	29	1990	30	2550	32,5	2845	34	3035	35,5
58	378	89	441	95	467	95	525	98	673	107	751	112	801	116
4,5	1500	27,5	1770	29,5	1860	29,5	2100	30,5	2730	33	3000	34,5	3170	36
65	396	90	467	97	491	97	554	100	721	108	792	113	837	118

Standard Ø: Diameter range

- For optimum distribution avoid use in shady areas.
- Sprinklers will be supplied with standard nozzles unless otherwise specified.
- In order to calculate the flow, add the flows of the two nozzles. The range of the rear nozzle must be less than that of the main nozzle.
- These results has been obtained at indoor laboratory with 0 m/seg win velocity. Outdoor results may change range distances.

VYR-65



VYR-65 AG · Part circle AG

GENERAL PROPERTIES:

- Part circle agricultural impact sprinkler; medium-high flow.
- 1" male or female connection.
- Made of brass and stainless steel.
- High-resistance rotating joints.
- Nozzle angles of 28° and 14°
- Part circle mechanical system using clips that are very easy and quick to adjust.
- Used in full coverage irrigation with medium-high flow to cover the side and corner areas.
- Special mechanical and hydraulic design for energy saving and an optimal coverage coefficient.

TECHNICAL SPECIFICATIONS:

- Reach: 16 - 24 m / 52 - 79 ft.
- Flow: 2240 - 7840 L/H / 591 - 2.070 GPH
- Working pressure: 3.5 - 6 BAR / 50 - 87 PSI.
- Area: Part or full circle.
- Nozzles: One main long reach nozzle and a secondary short reach nozzle.
- Trajectory angles: 28° and 14°
- Maximum stream height: 6 m / 19,7 ft.
- Rotation time: Depending on the pressure and the nozzles, the rotation will be constant and continuous.
- Uniformity coefficient higher than 90% in areas of 24x24R, 25x25T and 25x26T (metres).

APPLICATIONS:

- Horticultural plantations, cereals, tubers, leguminous plants and fruit trees.

MEASUREMENTS:

- Height: 24 cm / 9,4 in.
- Width: 25 cm / 9,8 in.
- Weight: 1.420 kg / 3,12 Lbs.
- Units per box: 15

OPTIONS:

- Threads in BSP or NPT under demand.
- Rod with jet breaker diffuser pin for the main nozzle.
- Foldable tripod for mobile installation.
- This is one of the models which can be used in conjunction with our travelling sprinkler cart VYR-5300.

MODELS:

Ref. 006500: Without diffuser pin. 1" female.

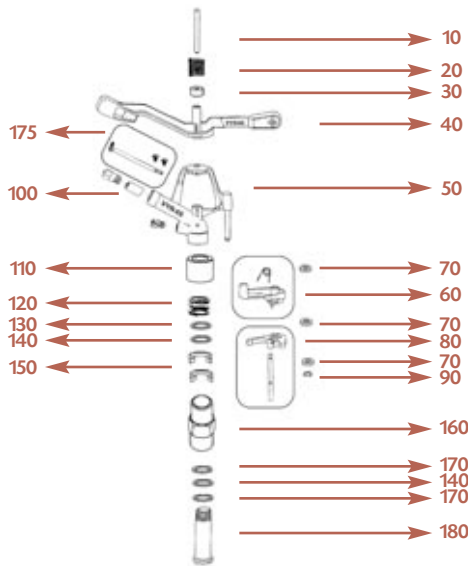
Ref. 006501: Without diffuser pin. 1" male.

Ref. 006510: With diffuser pin. 1" female.

Ref. 006511: With diffuser pin. 1" male.

Ref. 106500: Diffuser pin set.

TABLES & PARTS



Performance nozzle tables VYR-65

Long range nozzles (long vane) + plug

NOZZLE	5,6 mm 7/32"		6,4 mm 1/4"		7,2 mm 9/32"		8,0 mm 5/16"		8,8 mm 11/32"		9,6 mm 3/8"	
	BAR PSI	L/H GPH	Ø m Ø ft	L/H GPH	Ø m Ø ft	L/H GPH	Ø m Ø ft	L/H GPH	Ø m Ø ft	L/H GPH	Ø m Ø ft	L/H GPH
3,5	2370	42	3070	43	3730	44	4490	46	5335	46	6170	46
51	626	138	810	141	985	144	1185	151	1408	151	1629	151
4	2550	44	3300	44	4030	46	4850	48	5730	49	6650	49
58	673	144	871	144	1064	151	1280	157	1513	161	1756	161
4,5	2700	46	3515	46	4250	48	5150	50	6150	51	7020	52
65	713	151	928	151	1122	157	1360	164	1624	167	1853	171
5	2880	47	3690	48	4550	49	5450	52	6510	54	7470	55
73	760	154	974	157	1201	161	1439	171	1719	177	1972	180
5,5	3000	48	3900	50	4765	50	5700	54	6810	55	7835	57
80	792	157	1030	164	1258	164	1505	177	1798	180	2068	187



Easy part-circle adjustment

Long range nozzles (long vane) + short range nozzle

NOZZLE	4,8 x 3,2 mm 3/16 x 1/8"		5,6 x 3,2 mm 7/32 x 1/8"		6,4 x 3,2 mm 1/4 x 1/8"		7,2 x 3,2 mm 9/32 x 1/8"		8,0 x 3,2 mm 5/16 x 1/8"		8,8 x 3,2 mm 11/32 x 1/8"	
	BAR PSI	L/H GPH	Ø m Ø ft	L/H GPH	Ø m Ø ft	L/H GPH	Ø m Ø ft	L/H GPH	Ø m Ø ft	L/H GPH	Ø m Ø ft	L/H GPH
3,5	2500	40	3050	42	3720	43	4430	44	6010	46	6755	46
51	660	131	805	138	982	141	1170	144	1587	151	1783	151
4	2735	41	3265	44	4045	44	4740	46	6400	48	7290	49
58	722	135	862	144	1068	144	1251	151	1690	157	1925	161
4,5	2870	42	3470	46	4260	46	5045	48	6840	50	7800	51
65	758	138	916	151	1125	151	1332	157	1806	164	2059	167
5	3030	43	3660	47	4500	48	5380	49	7260	52	8250	54
73	800	141	966	154	1188	157	1420	161	1917	171	2178	177
5,5	3175	44	3845	48	4740	50	5575	50	7650	54	8640	55
80	838	144	1015	157	1251	164	1472	164	2020	177	2281	180



Standard Ø: Diameter range

- For optimum distribution avoid use in shady areas.
- Sprinklers will be supplied with standard nozzles unless otherwise specified.
- In order to calculate the flow, add the flows of the two nozzles. The range of the rear nozzle must be less than that of the main nozzle.
- These results has been obtained at indoor laboratory with 0 m/seg win velocity. Outdoor results may change range distances.

VYR-166



VYR-166 · Part circle AG

GENERAL PROPERTIES:

- Part circle agricultural impact sprinkler, medium-high flow.
- 1" female connection.
- Made of plastic and stainless steel.
- High-resistance rotating joints.
- Nozzle angles of 28° and 14°
- Part circle mechanical system using clips that are very easy and quick to adjust.
- Used in full coverage irrigation with medium-high flow to cover the side and corner areas.

TECHNICAL SPECIFICATIONS:

- Reach: 16 - 24 m / 52 - 79 ft.
- Flow: 1300 - 5420 L/H / 343 - 1431 GPH.
- Working pressure: 3 - 5 BAR / 43 - 87 PSI.
- Area: Part or full circle.
- Nozzles: One main long reach nozzle and a secondary short reach nozzle.
- Trajectory angles: 28° and 14°
- Maximum stream height: 5.5 m / 18 ft.
- Rotation time: Depending on the pressure and the nozzles, the rotation will be constant and continuous.
- Uniformity coefficient higher than 90% in areas of 24x24R, 25x25T, 25x26T (meters).

APPLICATIONS:

- Horticultural plantations, cereals, tubers, leguminous plants and fruit trees.

MEASUREMENTS:

- Height: 24 cm / 9,4 in.
- Width: 25 cm / 9,8 in.
- Weight: 430 g / 0,95 Lbs.
- Units per box: 15

OPTIONS:

- Threads in BSP or NPT under demand.
- Arm with jet breaker diffuser pin for the main nozzle.
- Foldable tripod for mobile installation.
- This is one of the models which can be used in conjunction with our travelling sprinkler cart VYR-5300

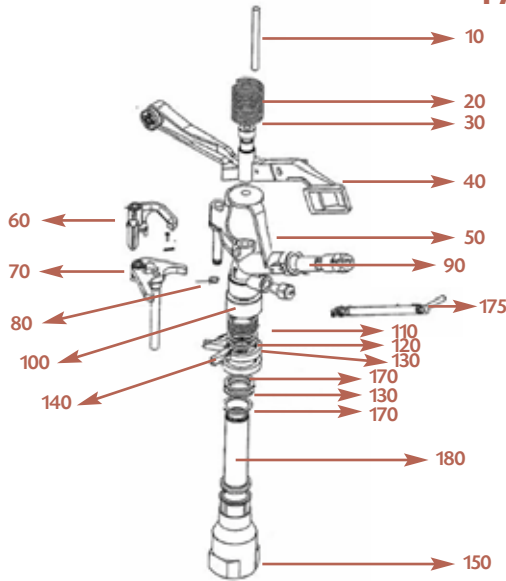
MODELS:

- Ref. 016600:** Diffuser pin set.
- Ref. 016610:** With diffuser pin.
- Ref. 116600:** Diffuser pin set.

Special mechanical and hydraulic design for energy saving and an optimal coverage coefficient.



TABLES & PARTS



Performance nozzle tables VYR-166

Long range nozzles (long vane) + plug

NOZZLE	4,4 mm 11/64"		4,8 mm 3/16"		5,6 mm 7/32"		6,4 mm 1/4"		7,2 mm 9/32"	
	BAR PSI	L/H GPH Ø m Ø ft	L/H GPH Ø m Ø ft	L/H GPH Ø m Ø ft	L/H GPH Ø m Ø ft	L/H GPH Ø m Ø ft	L/H GPH Ø m Ø ft	L/H GPH Ø m Ø ft	L/H GPH Ø m Ø ft	
3	1300	33	1510	34	1960	35	2590	36	3240	38
44	343	108	399	112	517	115	684	118	855	125
3,5	1400	33,5	1630	35	2140	35,5	2700	37	3470	38,5
51	370	110	430	115	565	116	713	121	916	126
4	1500	34	1760	36	2310	36	2800	38	3760	39
58	396	112	465	118	610	118	739	125	993	128
4,5	1590	35	1880	36,5	2460	37	2980	38,5	3970	39,5
65	420	115	496	120	649	121	787	126	1048	130
5	1690	36	1970	37	2580	38	3130	39	4150	40
73	446	118	520	121	681	125	826	128	1096	131



Long range nozzles (long vane) + short range nozzle

NOZZLE	4,4 x 3,2 mm 11/64 x 1/8"		4,8 x 3,2 mm 3/16 x 1/8"		5,5 x 3,2 mm 7/32 x 1/8"		6,3 x 3,2 mm 1/4 x 1/8"		7,14 x 3,2 mm 9/32 x 1/8"		8,73 x 3,2 mm 11/32 x 1/8"	
	BAR PSI	L/H GPH Ø m Ø ft	L/H GPH Ø m Ø ft	L/H GPH Ø m Ø ft	L/H GPH Ø m Ø ft	L/H GPH Ø m Ø ft	L/H GPH Ø m Ø ft	L/H GPH Ø m Ø ft	L/H GPH Ø m Ø ft	L/H GPH Ø m Ø ft	L/H GPH Ø m Ø ft	
3	1900	33	2170	34	2550	35	3150	36	3790	38	4250	38,5
44	502	108	573	112	673	115	832	118	1001	125	1122	126
3,5	2030	33,5	2300	35	2710	35,5	3400	37	4130	38,5	4640	39
51	536	110	607	115	715	116	898	121	1090	126	1225	128
4	2190	34	2450	36	2930	36	3700	38	4420	39	5000	39,5
58	578	112	647	118	774	118	977	125	1167	128	1320	130
4,5	2330	35	2600	36,5	3140	37	3950	38,5	4670	39,5	5150	40
65	615	115	686	120	829	121	1043	126	1233	130	1360	131
5	2480	36	2760	37	3320	38	4150	39	4910	40	5420	40,5
73	655	118	729	121	876	125	1096	128	1296	131	1431	133



Easy part-circle adjustment

Standard Ø: Diameter range

- For optimum distribution avoid use in shady areas.
- Sprinklers will be supplied with standard nozzles unless otherwise specified.
- In order to calculate the flow, add the flows of the two nozzles. The range of the rear nozzle must be less than that of the main nozzle.
- These results has been obtained at indoor laboratory with 0 m/seg win velocity. Outdoor results may change range distances.

VYR-150



VYR-150 · Part circle AG

GENERAL PROPERTIES:

- Part circle agricultural impact sprinkler, high flow.
- 1 1/4" male connection.
- Made of brass and stainless steel.
- High-resistance rotating joints.
- Nozzle angles of 27° and 4°
- Part circle mechanical system using clips that are very easy and quick to adjust.
- Used in full coverage irrigation with high flow to cover the side, corner and pivot point areas.
- Adjustable spring tension.

TECHNICAL SPECIFICATIONS:

- Reach: 25 - 37 m / 82 - 121 ft.
- Flow: 6200 - 28000 L/H / 1.637 - 7.392 GPH.
- Working pressure: 4 - 7 BAR / 58 - 102 PSI.
- Area: Part or full circle.
- Nozzles: One main long reach nozzle and a secondary short reach nozzle.
- Trajectory angles: 27° and 4°
- Maximum stream height: 5,5 m / 18 ft.
- Rotation time: Depending on the pressure and the nozzles, the rotation will be constant and continuous.
- Uniformity coefficient higher than 90% in areas of 37x37R, 37x37T and 37x39T (meters).

APPLICATIONS:

- Horticultural plantations, cereals, tubers, leguminous plants and fruit trees.
- Often used for Pivot points.

MEASUREMENTS:

- Height: 30 cm / 11,8 in.
- Width: 36 cm / 14,2 in.
- Weight: 2.430 kg / 5,35 Lbs.
- Units per box: 5

OPTIONS:

- Threads in BSP or NPT under demand.
- Foldable tripod for mobile installation.

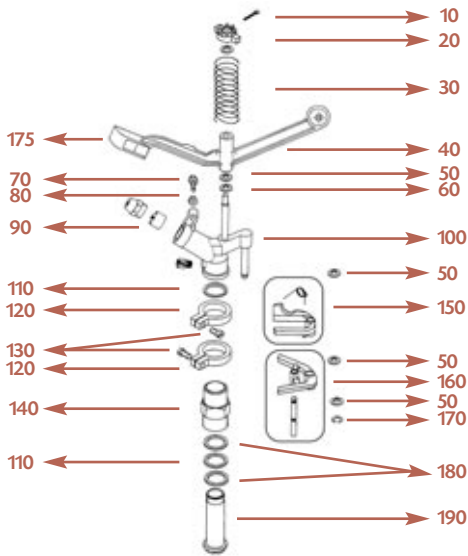
MODELS:

Ref. 015000: Standard male.

Special mechanical and hydraulic design for energy saving and an optimal coverage coefficient.



TABLES & PARTS



Performance nozzle tables VYR-150

Long range nozzles (long vane) + short range nozzle

NOZZLE	9 x 3,2 mm 11/32 x 1/8"		10 x 3,2 mm 13/32 x 1/8"		11 x 3,2 mm 7/16 x 1/8"		13 x 6,3 mm 1/2 x 2/8"		14,5 x 6,3 mm 9/16 x 2/8"		16 x 6,3 mm 5/8 x 2/8"	
BAR PSI	L/H GPH	Ø m Ø ft	L/H GPH	Ø m Ø ft	L/H GPH	Ø m Ø ft	L/H GPH	Ø m Ø ft	L/H GPH	Ø m Ø ft	L/H GPH	Ø m Ø ft
4	6200	50	7700	52	9400	54	14300	58	16300	60	20200	62
58	1637	164	2033	171	2482	177	3775	191	4303	197	5333	203
5	7000	52	8600	54	10600	56	16200	62	18300	64	23200	66
73	1848	171	2270	177	2798	184	4277	203	4831	210	6125	217
6	7800	54	9500	56	11700	58	18200	68	20000	69	25800	72
87	2059	177	2508	184	3089	190	4805	223	5280	226	6811	236
7	8500	56	10300	58	12600	60	19500	72	21500	73	28000	74
102	2244	184	2719	190	3326	197	5148	236	5676	240	7392	243

- For optimum distribution avoid use in shady areas.
- Sprinklers will be supplied with standard nozzles unless otherwise specified.
- In order to calculate the flow, add the flows of the two nozzles. The range of the rear nozzle must be less than that of the main nozzle.
- These results has been obtained at indoor laboratory with 0 m/seg win velocity. Outdoor results may change range distances.

Standard Ø: Diameter range



Easy part circle adjustment

VYR-160



VYR-160 · Part circle AG

GENERAL PROPERTIES:

- Part circle agricultural impact sprinkler; high flow.
- 1 1/4" male connection.
- Made of brass and stainless steel.
- High-resistance rotating joints.
- Nozzle angles of 21° and 12°
- Part circle mechanical system using clips that are very easy and quick to adjust.
- Used in full coverage irrigation with high flow to cover the side, corner and pivot point areas
- Special mechanical and hydraulic design for energy saving and an optimal coverage coefficient.

TECHNICAL SPECIFICATIONS:

- Reach: 24 - 36 m / 79 - 118 ft.
- Flow: 6.200 - 28.000 L/H / 1.637 - 7.392 GPH.
- Working pressure: 4 - 7 BAR / 58 - 102 PSI.
- Area: Part or full circle.
- Nozzles: One main long reach nozzle and a secondary short reach nozzle.
- Trajectory angles: 21° and 12°
- Maximum stream height: 5 m / 16 ft.
- Rotation time: Depending on the pressure and the nozzles, the rotation will be constant and continuous.
- Uniformity coefficient higher than 90% in areas of 37.5x37.5R, 38x38T and 38x39T (meters).

APPLICATIONS:

- Pivot end points for the longest reach possible.
- Horticultural plantations, cereals, tubers, leguminous plants and fruit trees.

MEASUREMENTS:

- Height: 31 cm / 12,2 in.
- Width: 37 cm / 14,6 in.
- Weight: 2.721 kg / 6 Lbs
- Units per box: 5

OPTIONS:

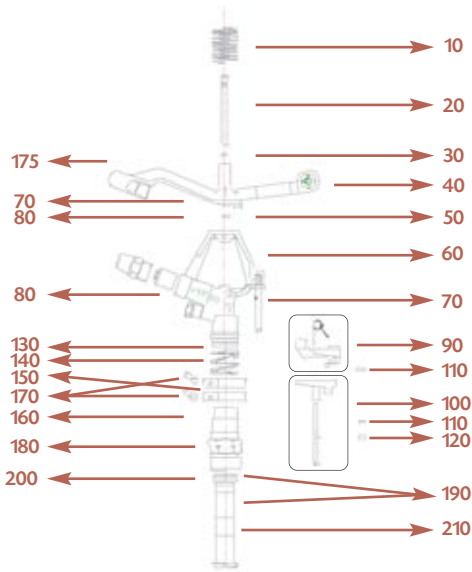
- Trípode plegable para instalación móvil.

MODELS:

- Ref. 016000: VYR-160 con pala estándar latón.
- Ref. 016010: VYR-160 con pala chapa-inox.

Special mechanical and hydraulic design for energy saving and an optimal coverage coefficient.

TABLES & PARTS



Performance nozzle tables VYR-160

Long range nozzles (long vane) + short range nozzle

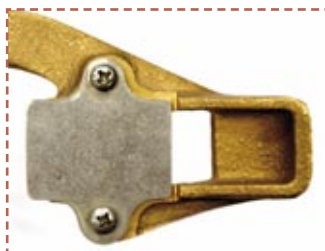
NOZZLE	9 x 3,2 mm 11/32 x 1/8"		10 x 3,2 mm 13/32 x 1/8"		11 x 3,2 mm 7/16 x 1/8"		13 x 6,3 mm 1/2 x 2/8"		14,5 x 6,3 mm 9/16 x 2/8"		16 x 6,3 mm 5/8 x 2/8"	
	BAR PSI	L/H GPH	Ø m Ø ft	L/H GPH	Ø m Ø ft	L/H GPH	Ø m Ø ft	L/H GPH	Ø m Ø ft	L/H GPH	Ø m Ø ft	L/H GPH
4	6200	48	7700	50	9400	52	14300	56	16300	58	20200	60
58	1637	157	2033	164	2482	171	3775	184	4303	190	5333	197
5	7000	50	8600	52	10600	54	16200	60	18300	62	23200	64
73	1848	164	2270	171	2798	177	4277	197	4831	203	6125	210
6	7800	52	9500	54	11700	56	18200	66	20000	67	25800	70
87	2059	171	2508	177	3089	184	4805	217	5280	220	6811	230
7	8500	54	10300	56	12600	58	19500	70	21500	71	28000	72
102	2244	177	2719	184	3326	190	5148	230	5676	233	7392	236

Standard Diameter range

- For optimum distribution avoid use in shady areas.
- Sprinklers will be supplied with standard nozzles unless otherwise specified.
- In order to calculate the flow, add the flows of the two nozzles. The range of the rear nozzle must be less than that of the main nozzle.
- These results has been obtained at indoor laboratory with 0 m/seg win velocity. Outdoor results may change range distances.



Easy unblock for part circle axle

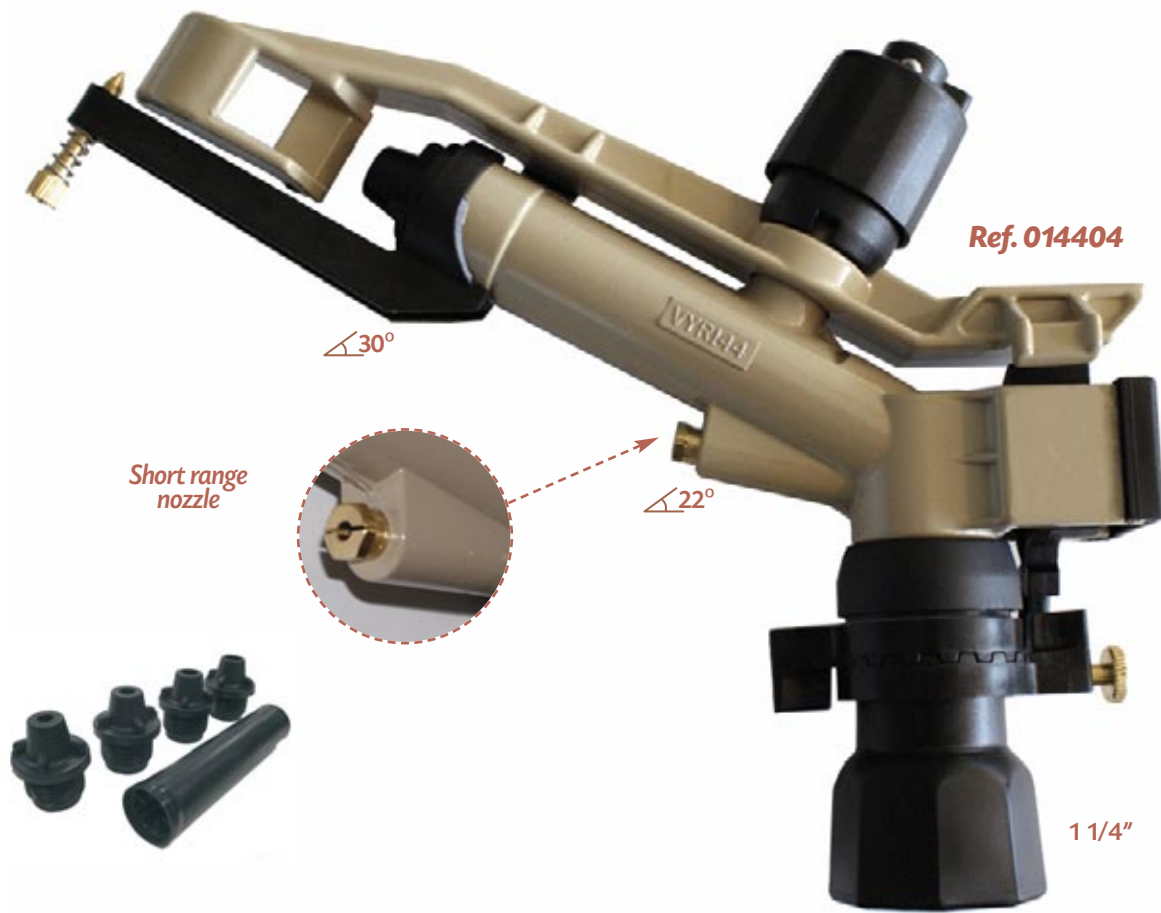


Steel anti-erosion blade



Easy angle adjustment.

VYR-144 S



VYR-144 S · Part circle AG

GENERAL PROPERTIES:

- Agricultural part-circle impact sprinkler with medium-high flow.
- 1 1/4" female connection.
- Made of aluminium, plastic and stainless steel.
- High-resistance rotating joints.
- Nozzle angle of 30°
- Special design for long reach.
- Used in full coverage irrigation with high flows.

TECHNICAL SPECIFICATIONS:

- Reach: 16 - 26 m / 52-85 ft.
- Flow: 4560 - 18600 L/H / 1.204 - 4.913 GPH
- Working pressure: 1,5 - 4,5 BAR / 22-65 PSI.
- Area: Part or full circle.
- Spring tension adjustment system.
- 2 Nozzles: One main nozzle with built-in deflector pin, and a second short range deflector nozzle.
- Trajectory angles: 30° and 22°
- Maximum stream height: 5,5 m / 18ft.
- Rotation time: Adjustable. Depending on the pressure and the nozzles, the rotation will be constant and continuous.
- Uniformity coefficient higher than 90% in areas of 22x22R, 24x24T and 24x27T (meters).

APPLICATIONS:

- Used in all types of agricultural irrigation, generally with medium-high flows.
- Horticultural plantations, cereals, tubers, leguminous plants and fruit trees.

MEASUREMENTS:

- Height: 25 cm / 9,8 in.
- Width: 30 cm / 11,8 in.
- Weight: 1 kg / 2,2 Lbs
- Units per box: 10

OPTIONS:

- Threads in BSP or NPT under demand.
- Complete set of nozzles.
- This is one of the models which can be used in conjunction with our travelling sprinkler cart VYR-5300.

MODELS:

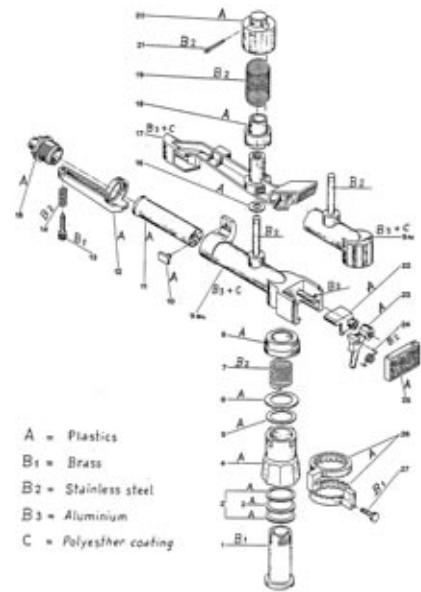
Ref. 014404: VYR 144S ALUM PART CIRCLE W/D THREAD 1 1/4"H

TABLES & PARTS

Technical guidance table VYR-144 S

NOZZLE	Spacing (m) / Precipit. rate (mm/h) Spacing (ft) / Precipit. rate (in/h)						
	BAR PSI	20x24 65x78	24x24 78x78	24x26 T 78x85 T	26x26 T 85x85 T	28x28 T 91x91 T	30x30 T 98x98 T
7 x 4,4 mm 9/32" x 11/64"	3	9,5	7,9	8,4	7,7	6,7	5,9
	44	0,37	0,31	0,33	0,30	0,26	0,23
	4	10,3	8,5	9,1	8,4	7,3	6,3
	58	0,41	0,33	0,36	0,33	0,29	0,25
10 x 4,4 mm 13/32" x 11/64"	5	11	9,2	9,8	9,0	7,7	6,8
	72	0,43	0,36	0,39	0,35	0,30	0,27
	3	16,6	13,9	14,7	13,6	11,8	10,2
	44	0,65	0,55	0,58	0,54	0,46	0,40
14 x 4,4 mm 9/16" x 11/64"	4	18,0	15,0	15,9	14,8	12,7	11,1
	58	0,71	0,59	0,63	0,58	0,50	0,44
	5	19,4	16,1	17,2	15,9	13,7	11,9
	72	0,76	0,63	0,68	0,63	0,54	0,47
14 x 4,4 mm 9/16" x 11/64"	3	30,1	25,1	26,8	24,7	21,2	18,6
	44	1,19	0,99	1,06	0,97	0,83	0,73
	4	31,9	26,6	28,3	26,1	22,5	19,6
	58	1,26	1,05	1,11	1,03	0,89	0,77
5	38,7	32,3	34,4	31,7	27,4	23,9	
	72	1,52	1,27	1,35	1,25	1,08	0,94

T: Triang. CU < 85% CU 85-88% CU 88-92% CU > 92%



Performance nozzle tables VYR-144 S

Long range nozzles (long vane) + short range nozzle

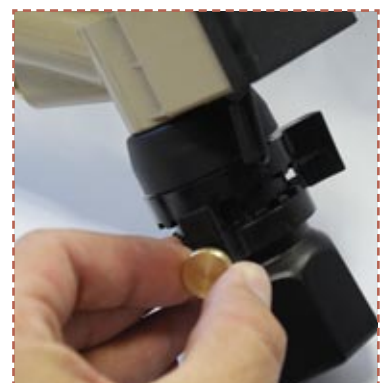
NOZZLE	7 x 4,4 mm 9/32" x 11/64"		8 x 4,4 mm 5/16" x 11/64"		10 x 4,4 mm 13/32" x 11/64"		12 x 4,4 mm 15/32" x 11/64"		14 x 4,4 mm 9/16" x 11/64"	
	BAR PSI	L/H GPH Ø m Ø ft	L/H GPH Ø m Ø ft	L/H GPH Ø m Ø ft	L/H GPH Ø m Ø ft	L/H GPH Ø m Ø ft	L/H GPH Ø m Ø ft	L/H GPH Ø m Ø ft	L/H GPH Ø m Ø ft	L/H GPH Ø m Ø ft
2	4.560	40	5.580	44	7.900	50	10.980	56	14.460	54
29	1.204	131	1.473	144	2.086	164	2.899	184	3.817	177
3	4.920	42	6.000	46	8.640	54	11.880	60	16.560	62
44	1.299	138	1.584	151	2.281	177	3.136	197	4.372	203
4	5.280	42	6.480	50	9.300	58	12.720	62	18.600	62
58	1.394	138	1.711	164	2.455	190	2.455	203	4.910	203

Ø: Diameter range



Easy spring-tension
adjustment

- Sprinklers will be supplied with standard nozzles unless otherwise specified.
- In order to calculate the flow, add the flows of the two nozzles. The range of the rear nozzle must be less than that of the main nozzle.
- These results has been obtained at indoor laboratory with 0 m/seg win velocity. Outdoor results may change range distances.



Easy part-circle
adjustment



VYR-175



VYR-175 · Part circle AG high-flow

GENERAL PROPERTIES:

- Agricultural part-circle impact sprinkler with medium-high flow.
- Female brass connection of 1 1/2"
- Made of aluminium, plastic and stainless steel.
- High-resistance rotating joints.
- High resistance brass nozzles.
- Angle of coverage: 360° or Part-Circle.
- Difuser pins and deflector plates included.

TECHNICAL SPECIFICATIONS:

- Reach: 20 - 35 m / 66 - 115 ft.
- Flow: 9.000 - 33.000 L/H. / 2.376 - 8.712 GPH.
- Working pressure: 2,5 - 6 BAR / 36 - 87 PSI.
- 2 Nozzles: One main nozzle with optional deflector pin, and a second short range with built-in difuser pin nozzle.
- Trajectory angles: Of 27° and 18°.
- Maximum stream height: 5,7 m / 19 ft.

APPLICATIONS:

- Used in all types of agricultural irrigation, generally with medium-high flows.
- Horticultural plantations, cereals, tubers, leguminous plants and fruit trees.

MEASUREMENTS :

- Height: 34 cm / 13,4 in.
- Width: 42 cm / 16,5 in.
- Weight: 2 kg / 4,4 Lbs.
- Units per box: 4

OPTIONS :

- Tripods of 1 1/2"
- Valve for automatization.

MODELS:

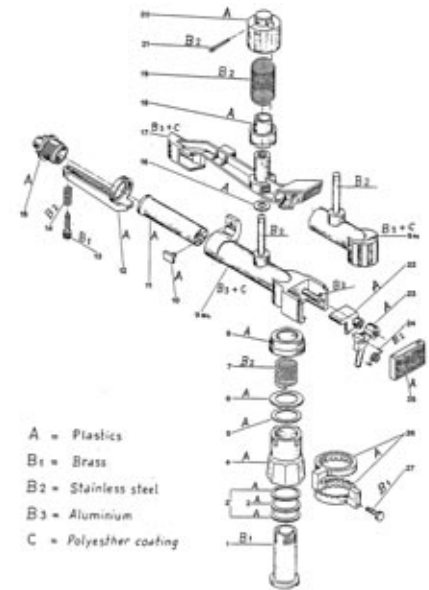
Ref. 017500: Sectorial-Circular 1 1/2" H

TABLES & PARTS

Technical guidance table VYR-175

NOZZLE	Espaciamiento (ft) / Precipitación (GPH)						
	BAR PSI	21x21 Ø	24x24 Ø	27x27 ØT	30x30 ØT	36x36 T ØT	39x39 T ØT
14 x 3,2 mm 9/16" x 1/8"	3	29,2	22,4	17,7	14,3	10	8,5
	44	1,15	0,88	0,70	0,56	0,39	0,33
	4	33,4	25,6	20,2	16,4	11,4	9,7
18 x 3,6 mm 11/16" x 9/64"	58	1,31	1,01	0,80	0,65	0,45	0,38
	5	37,7	28,9	22,8	18,5	12,8	10,9
	73	1,48	1,14	0,90	0,73	0,50	0,43
18 x 3,6 mm 11/16" x 9/64"	3	33,2	26,3	21,5	17,6	13,4	14,9
	44	1,31	1,04	0,85	0,69	0,53	0,59
	4	34,5	27,4	22,6	18,8	14,8	16,3
11/16" x 9/64"	58	1,36	1,08	0,89	0,74	0,58	0,64
	5	36,3	29,3	25,5	21,8	16,00	17,6
	73	1,43	1,15	1,00	0,86	0,63	0,69

T: Triang. CU < 85% CU 85-88% CU 88-92% CU > 92%



Performance nozzle tables VYR-175

Long range nozzles (long vane) + short range nozzle

NOZZLE	12 x 3,2 mm 11/32 x 1/8"		14 x 3,2 mm 9/16" x 1/8"		16 x 3,6 mm 5/8 x 9/64"		18 x 3,6 mm 11/16 x 9/64"		20 x 3,6 mm 51/64 x 9/64"		
	BAR PSI	L/H GPH	m ft	L/H GPH	m ft	L/H GPH	m ft	L/H GPH	m ft	L/H GPH	m ft
2	9300	20	12100	21	15200	22					
29	2455	66	3195	69	4015	72					
3	11200	24	14500	25	18900	28	23100	27	27600	28,5	
44	2960	79	3828	82	4990	92	6100	89	6100	93	
4	13000	27	16900	29	21500	30	27000	30	31900	32	
58	3430	89	4460	95	5680	98	7130	98	7130	105	
5	14200	28	18900	30	24000	32	30100	34	35600	34,5	
73	3750	92	3750	98	6340	105	7950	112	7950	114	
6							32500	35	39000	36	
73							8580	115	8580	118	

- Sprinklers will be supplied with standard nozzles unless otherwise specified.
- In order to calculate the flow, add the flows of the two nozzles. The range of the rear nozzle must be less than that of the main nozzle.
- These results has been obtained at indoor laboratory with 0 m/seg win velocity. Outdoor results may change range distances..

Standard Diameter range

VYR-100 Grillo



VYR-100 GRILLO · Part circle AG

GENERAL PROPERTIES:

- Turbine-driven Rain-Gun, high flow for agriculture.
- 2" female connection.
- Made of aluminium, brass, plastic and stainless steel.
- High-resistance rotating joints.
- Nozzle angle of 28°
- Special design for long reach.
- Used in full coverage irrigation with very high flow.

TECHNICAL SPECIFICATIONS:

- Reach: 25 - 41 m / 82 - 135 ft.
- Flow: 8.500 - 51.500 L/H / 2.244 - 13.596 GPH.
- Working pressure: 2,5 - 4,5 BAR / 36 - 65 PSI.
- Area: Part or full circle.
- Nozzles: One main multi-jet nozzle with built-in deflector pin.
- Trajectory angles: 18° and 28°
- Maximum stream height: 5,8 m / 19 ft.
- Rotation time: Depending on the pressure and the nozzles, the rotation will be constant and continuous.
- Uniformity coefficient higher than 83% in areas of 48x48R, 50x50T and 50x62T (meters)

APPLICATIONS:

- Irrigation for sport fields.
- Travelling sprinkler irrigation.
- Horticultural plantations, cereals, tubers, leguminous plants and fruit trees.
- Mining.
- Firewall.

MEASUREMENTS:

- Height: 37 cm / 14,6 in
- Width: 70 cm / 27,6 in.
- Weight: 4.6 kg / 10,12 Lbs
- Units per box: 4

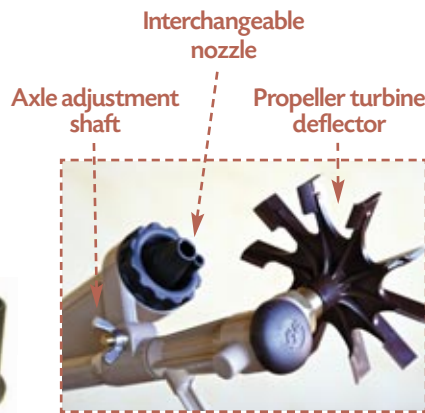
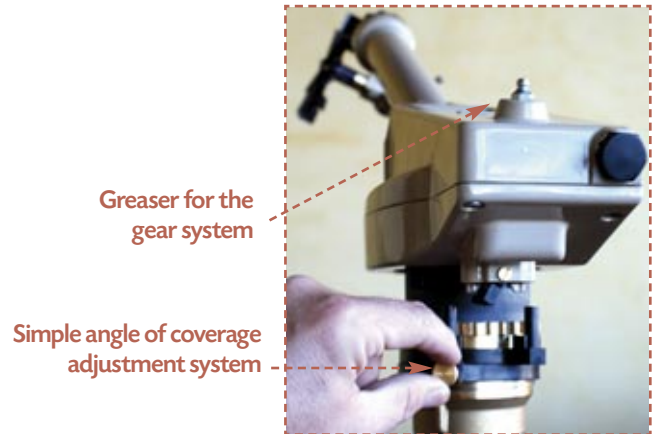
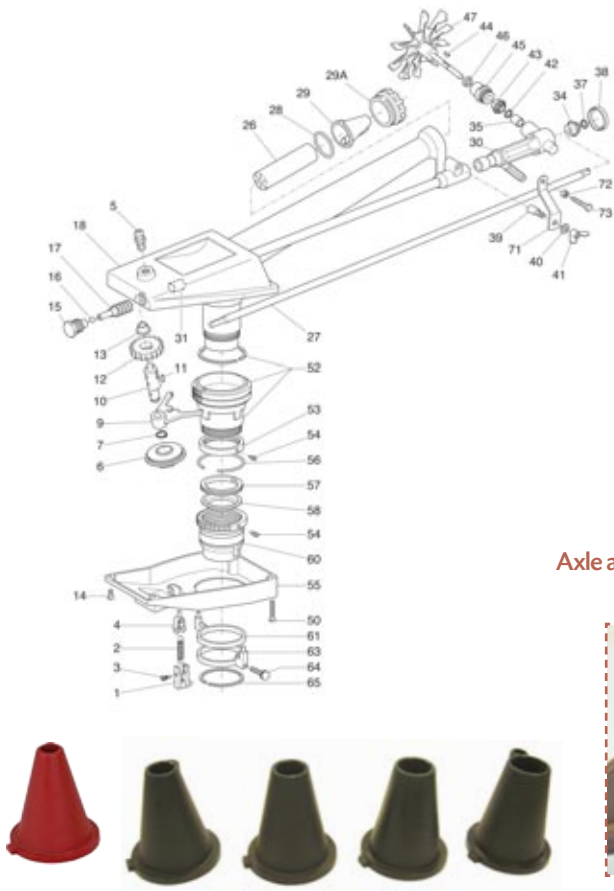
OPTIONS:

- Foldable tripod for mobile installation.

MODELS:

Ref. 010000: Rain gun VYR-100 + nozzles.

TABLES & PARTS



Special 18° nozzle for PIVOT end-gun

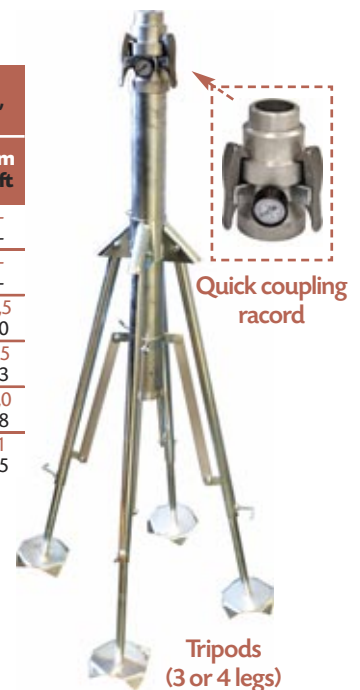
Performance nozzle tables VYR 100 GRILLO

Long range nozzles (long vane) + short range nozzle

NOZZLE	10 mm 51/128"		12 mm 15/32"		14 mm 9/16"		16 mm 5/8"		18 mm 11/16"		20 mm 101/128"		22 mm 111/128"		24 mm 121/128"	
	BAR PSI	L/H GPH R-m R-ft	L/H GPH R-m R-ft	L/H GPH R-m R-ft	L/H GPH R-m R-ft	L/H GPH R-m R-ft	L/H GPH R-m R-ft	L/H GPH R-m R-ft	L/H GPH R-m R-ft	L/H GPH R-m R-ft	L/H GPH R-m R-ft	L/H GPH R-m R-ft	L/H GPH R-m R-ft	L/H GPH R-m R-ft	L/H GPH R-m R-ft	
2,5	8.100	21	8.530	25	11.620	26	---	---	---	---	---	---	---	---	---	
36	2.140	69	2.252	82	3.068	85	---	---	---	---	---	---	---	---	---	
3	8.800	22	9.360	26	12.740	28	16.630	31,5	---	---	---	---	---	---	---	
44	2.325	72	2.471	85	3.363	92	4.390	103	---	---	---	---	---	---	---	
3,5	9.500	23,5	10.110	27	13.750	30	17.960	33,5	22.750	33,5	28.200	34	36.600	34,5	43.000	
51	2.510	77	2.669	89	3.630	98	4.741	110	6.006	110	7.445	112	9.660	113	9.660	
4	10.200	27,5	10.800	28	14.720	31	19.220	35,0	24.330	34,5	33.000	35,0	39.400	36,5	46.000	
58	2.690	90	2.851	92	3.886	102	5.074	115	6.423	113	8.710	115	10.400	115	10.400	
4,5	---	---	---	---	---	---	20.370	36,0	25.810	36	35.000	36,5	41.600	38,0	48.600	
65	---	---	---	---	---	---	5.378	118	6.814	118	9.240	120	10.980	120	10.980	
5	---	---	---	---	---	---	---	---	27.210	37,5	37.000	38,5	44.100	39,5	51.500	
73	---	---	---	---	---	---	---	---	7.183	123	9.770	123	11.640	126	11.640	

Standard R: Range distance

- Sprinklers will be supplied with standard nozzles unless otherwise specified.
- In order to calculate the flow, add the flows of the two nozzles. The range of the rear nozzle must be less than that of the main nozzle.
- These results has been obtained at indoor laboratory with 0 m/seg win velocity. Outdoor results may change range distances.



VYR-157



VYR-157 · Part circle AG

GENERAL PROPERTIES:

- Piston drive raingun sprinkler, high flow.
- 2 1/2" and 3" female connection.
- Made of aluminium, brass, plastic and stainless steel.
- High-resistance rotating joints.
- Nozzle angles of 25° and 22°
- Special design for long reach.
- Used in full coverage irrigation with very high flow.
- Rotation speed adjustment.

TECHNICAL SPECIFICATIONS:

- Reach: 24-42 m (2") and 39 - 69 m (3") / 105 - 226 ft.
- Flow: 10,250 - 25,000 l/h (2") and 24,250 - 121,250 l/h (3") / 4.224 - 31.944 GPH.
- Working pressure: 4 - 8 BAR / 58 - 116 PSI.
- Area: Part or full circle.
- Nozzles: One main multi-jet nozzle for long reach and a secondary nozzle for short reach.
- Trajectory angles: 25° and 22°
- Maximum stream height: 7.5 m / 25 ft.
- Rotation time: Adjustable by a side control command screw.
- Uniformity coefficient higher than 90% in areas of 35x35R, 40x40T, 40x45T (2") and 55x55R, 60x60T, 60x65T(3") (meters).

APPLICATIONS:

- Dust suppression.
- Irrigation for sport fields.
- Roller traveller sprinkler irrigation.
- Horticultural plantations, cereals, tubers, leguminous plants and fruit trees.
- Mining.
- Firewall.

MEASUREMENTS:

- Height: 30 cm and 50 cm / 11,8 and 19,7 in.
- Width: 45 cm and 80 cm / 17,7 and 31,5 in.
- Weight: 4 kg and 7.5 kg / 8,8 and 16,5 Lbs.
- Units per box: 1

OPTIONS:

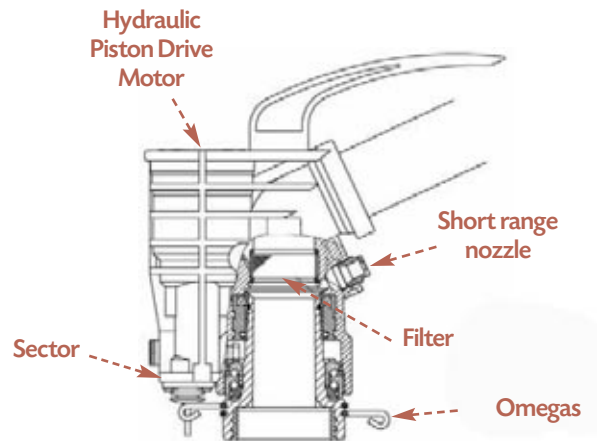
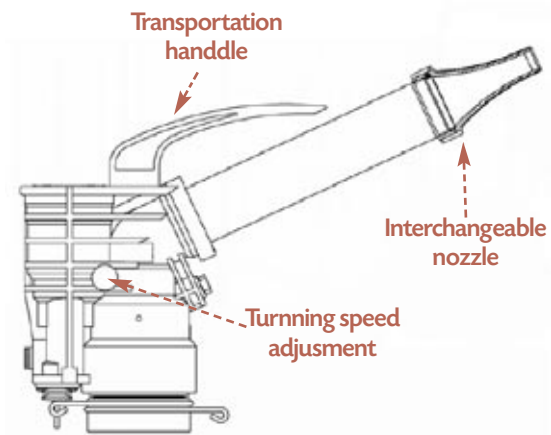
- Automatic kit with 2" or 3" valve, hydraulically or electrically driven.
- Foldable tripod for mobile installation.
- Complete set of nozzles.

MODELS:

- **Ref. 015701:** Piston drive gun sprinkler 2 1/2"
- **Ref. 015700:** Piston drive gun sprinkler 3"



TABLES & PARTS



Performance nozzle tables VYR-157 S

Long range nozzles (long vane) + short range nozzle

NOZZLE	14 x 5 mm 0,55" x 13/64"		16 x 5 mm 0,63" x 13/64"		18 x 5 mm 0,71" x 13/64"		20 x 5 mm 0,79" x 13/64"		22 x 5 mm 0,87" x 13/64"		24 x 5 mm 0,94" x 13/64"		
	BAR PSI	L/H GPH	R-m R-ft	L/H GPH	R-m R-ft	L/H GPH	R-m R-ft	L/H GPH	R-m R-ft	L/H GPH	R-m R-ft	L/H GPH	R-m R-ft
4	15.870	32	20.140	35	24.980	40	30.380	41,5	36.360	43	42.910	45	
58	4.200	105	5.322	115	6.576	131	8.028	136	9.612	140	11.340	148	
5	17.740	34	22.520	38	27.930	43	33.970	45	40.65	46	47.970	48	
73	4.680	112	5.952	125	7.380	141	8.976	148	10.746	151	12.678	157	
6	19.440	36	24.660	41	30.590	46	37.210	48	44.530	50	52.550	52	
87	5.160	118	6.516	134	8.088	151	9.834	157	11.772	164	13.890	170	
7	20.990	38	26.640	43	33.040	47	40.190	50	48.100	51,5	56.760	53,5	
102	5.580	125	7.044	141	8.736	154	10.626	164	12.714	174	15.000	175	



Performance nozzle tables VYR-157 L

Long range nozzles (long vane) + short range nozzle

NOZZLE	18 x 5 mm 0,71" x 13/64"		20 x 5 mm 0,79" x 13/64"		22 x 5 mm 0,87" x 13/64"		24 x 5 mm 0,94" x 13/64"		26 x 5 mm 1,02" x 13/64"		28 x 5 mm 1,10" x 13/64"		30 x 5 mm 1,18" x 13/64"		32 x 5 mm 1,26" x 13/64"		34 x 5 mm 1,34" x 13/64"	
	BAR PSI	L/H GPH	R-m R-ft	L/H GPH	R-m R-ft	L/H GPH	R-m R-ft	L/H GPH	R-m R-ft	L/H GPH	R-m R-ft	L/H GPH	R-m R-ft	L/H GPH	R-m R-ft	L/H GPH	R-m R-ft	
5	29.700	42	35.700	44	42.400	46	49.700	48	57.700	50	66.300	53	75.500	55	85.400	57	95.900	58
73	7.848	138	9.432	144	11.208	151	13.134	157	15.252	164	17.526	174	19.956	180	22.572	187	25.350	190
6	32.500	45	39.100	47	46.500	49	54.400	51	63.200	53	72.600	56	82.700	58	93.500	60	105.000	61
87	8.592	148	10.332	154	12.288	161	14.406	167	16.704	174	19.188	184	21.858	190	24.714	197	27.780	200
7	35.100	48	42.300	50	50.200	52	58.800	54	68.200	57	78.400	60	89.300	63	101.00	65	113.40	66
102	9.276	157	11.178	164	13.266	170	15.540	177	18.024	187	20.724	197	23.604	207	26.694	213	29.976	216
8	37.500	50	45.200	52	53.600	54	62.900	56	72.900	59	83.800	62	95.500	65	108.00	67	121.30	69
114	9.912	164	11.946	170	14.166	177	16.626	184	19.266	193	22.152	203	25.242	213	28.548	220	32.076	226

Standard R: Range distance

- Sprinklers will be supplied with standard nozzles unless otherwise specified.
- In order to calculate the flow, add the flows of the two nozzles. The range of the rear nozzle must be less than that of the main nozzle.
- These results has been obtained at indoor laboratory with 0 m/seg win velocity. Outdoor results may change range distances.





Irrigation Control

BATTERY OPERATED LATCH CONTROLLERS

- VYR-6050-6051 TAP-PROPg. 122
- VYR-6053 BTPg. 123
- VYR-6060 AMPHIBIOPg. 124
- VYR-6010 MASTER-LATCHPg. 126
- HELIOS COM.....Pg. 127
- VYR-6010 4.0Pg. 128
- VYR-6011 RADIO-DECODERPg. 129
- OASIS RDPg. 130
- HYDRO-PLUS 4.0Pg. 131

POWER CONTROLLERS AND DECODERS

- PG-6015 - 2 WIRE-DECODERPg. 134
- SKYDROP ARC.....Pg. 136
- SKYDROP PLUSPg. 138

ACCESSORIES FOR CONTROLLERS

- CABINET AND BOXESPg. 140
- CONNECTIONS.....Pg. 141
- SENSORSPg. 142
- RECHARGING SYSTEMSPg. 145
- METEO STATIONSPg. 146

PG-6050 & PG-6051 Tap-Pro

With motor valve that opens from 0 BAR !!!



*¡Totalmente estanco!
IP-65*

3/4" F

1" M

3/4" M

Express

PG-6050 & PG-6051 · Battery Operated Controllers

GENERAL PROPERTIES VYR-6050:

- Number of stations: 1 station.
- Number of programs: a sequential program.
- Number of starts: Up to 360 daily starts depending on the frequency of irrigation.
- Cycle time: up to 599 min.
- Programming times: from 1 min. up to 10 hours.
- Manual opening and closing of the programmer.
- Easy installation, programming and use thanks to its versatile design and hybrid system control.
- Rotating mechanical controls.
- LED status.

GENERAL PROPERTIES VYR-6051:

- Number of stations: 1 station.
- Number of programs: 8 digital program.
- Number of starts: 15 starts per program.
- Cycle time: up to 599 min.
- Programming times: from 1 min. up to 10 hours.
- Manual opening and closing of the programmer.
- Easy installation, programming and use thanks to its versatile design and hybrid system control.
- Logical system of icons on the digital display.
- LED status.

TECHNICAL SPECIFICATIONS:

- Power: 2 AAA batteries 1.5 V ALKALINE.
- Output: Motorized Latch.
- Sealing: IP-68.
- Battery life with two Alkaline AAA batteries for more than a campaign.
- Upper connection to tap 3/4 "or 1" with rotary adjustment and rubber to fit and seal.
- Bottom outlet of 3/4" male thread or express connector.

APPLICATIONS:

- Designed for residential use in sheltered terraces and small gardens.

MEASUREMENTS :

- Height: 12 cm / 4,7 in
- Width: 20 cm / 7,9 in
- Depth: 9 cm / 3,5 in
- Weight: 280 g / 0,62 Lbs
- Units per box: 1

MODELS:

- Ref. **605100**: VYR-6051, 3/4". DIGITAL DISPLAY.
- Ref. **605000**: VYR-6050, 3/4". MECHANICAL.





PG-6053 BT Blue-Tooth



ANFIBIO PG-6053 · Battery Operated BlueTooth Controller

GENERAL PROPERTIES:

- Number of stations: 1.
- LATCH (impulse) PN-10 solenoid valve with high performance and safety.
- Number of programs: 1 program with 4 cyclical options.
- Number of starts: 8 daily starts, or sequential indefinite.
- Cycle duration: up to 7 days.
- Programming times: from 1 minute to 12 hours.
- MANUAL START of the valve.
- Easy installation, programming and use thanks to its versatile design and logical control system.
- Adjustment of irrigation DELAY.
- Safety system with low battery ALARM (closes all valves and is blocked until the change by a new battery).
- DUAL input jack in 1" H and 3/4" H, and 3/4" M outlet that includes an express racord for express hose connection.

TECHNICAL SPECIFICATIONS:

- Waterproof: IP-68 (totally watertight and submersible).
- Voltage: 2 1.5V AA alkaline batteries (not included).
- Number of admissible valves: 1 Latch 9V solenoid (integrated)

APPLICATIONS:

- Ideal for isolated areas without electrical power or with difficult wiring access.
- Designed for use in orchards, residential or urban gardens, and isolated agricultural areas.

MEASUREMENTS :

- Height: 16 cm
- Width: 9 cm ø
- Weight: 320 g
- Units per box: 1

OPTIONS:

- Kit with tap PPR of 3/4"

MODELS:

Ref. 605301: VYR-6053 BT.



Ref. 605301



Ref. 121925

PG-6060 Anfibio



Ref. 606001



Sumergible!
IP-68



ANFIBIO PG-6060 · Battery operated controller 1, 2, 4 & 6 stations

The PG-6061 ANFIBIO REMOTE is an autonomous waterproof controller (9Vdc alkaline) that allows you to connect by Bluetooth Low Energy 4.0 to mobile devices through the VYR-BT® APP. Through this APP, pairing with the device is enabled through a user security access code. This model is ideal for communities, parks and public gardens to prevent theft or vandalism of equipment since they cannot be used or handled without their access code.

GENERAL PROPERTIES:

- Number of stations: 1, 2, 4 and 6 stations + N / O sensor.
- Master Valve "MV" can be activated in 2-6 station models.
- The models of 4 and 6 stations can be activated MV (Master Valve) by passing the last station to act as a master valve.
- Number of programs: 3 (A, B and C)
- Number of starts: 8 daily starts per program.
- Cycle duration: up to 7 days.
- Programming times: from 1 minute to 12 hours per valve, with descending counter in minutes.
- MANUAL START of stations with "countdown".
- Easy installation, programming and use thanks to its versatile design and logical control system.
- Ergonomic 6-key keyboard.
- Adjustment of WATER CONTRIBUTION between 10% and 200%.
- Safety system with low battery ALARM (closes all valves and is blocked until the change by a new battery).
- Normally open SENSOR (NO) connection (rain, humidity or temperature sensor) for temporary blocking of programs.
- 1-station models include 2 or 3-way latch solenoid, and the 3-station model does not include solenoids.
- Complies with standard UNE-15099 / ISO-21622

TECHNICAL SPECIFICATIONS:

- Waterproof: IP-68 (totally watertight and submersible).
- Voltage: 9V alkaline battery (optional 6 AAA block).
- Number of admissible valves: 1 Latch solenoid of 9V per output no more than 20 m away.
- Connection strip: cables up to 1.5 mm².

APPLICATIONS:

- Ideal for isolated areas without electrical power or with difficult wiring access.
- Designed for residential or urban gardens, and isolated agricultural areas.

MODELS:

- Ref. 606010: VYR-6060 1 est. - NO SOLENOID -
- Ref. 606001: VYR-6060 1 est. + 1 solen. latch 2 way
- Ref. 606011: VYR-6060 1 est. + 1 solen. latch 3 way 1.6 mm
- Ref. 606002: VYR-6060 2 est. (-MV)
- Ref. 606004: VYR-6060 4 est. (-MV)
- Ref. 606006: VYR-6060 6 est. (-MV)
- Ref. 606010 BT: VYR-6060 1 est. - NO SOLENOID - + COM BT
- Ref. 606001 BT: VYR-6060 + 1 solen. latch 2 way + COM BT
- Ref. 606011 BT: VYR-6060 + 1 solen. latch 3 way 1.6 mm + COM BT
- Ref. 606002 BT: VYR-6060 2 est. (-MV) + COM BT
- Ref. 606004 BT: VYR-6060 4 est. (-MV) + COM BT
- Ref. 606006 BT: VYR-6060 6 est. (-MV) + COM BT





BT APP for PG-6053-6060

Blue-Tooth APP

ANFIBIO PG-6053 BT · Battery Operated Controller with BlueTooth APP

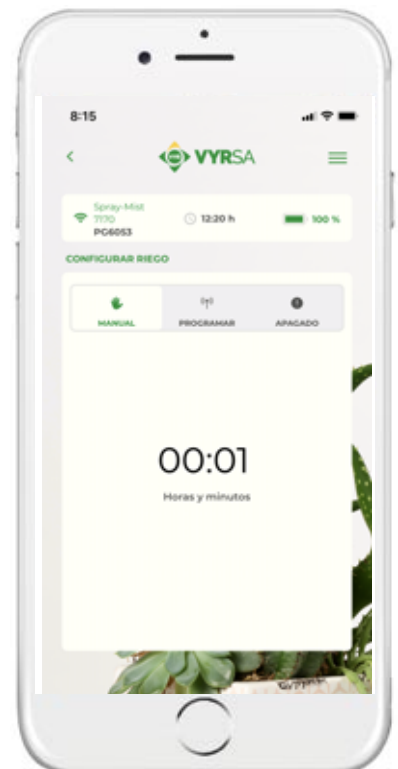
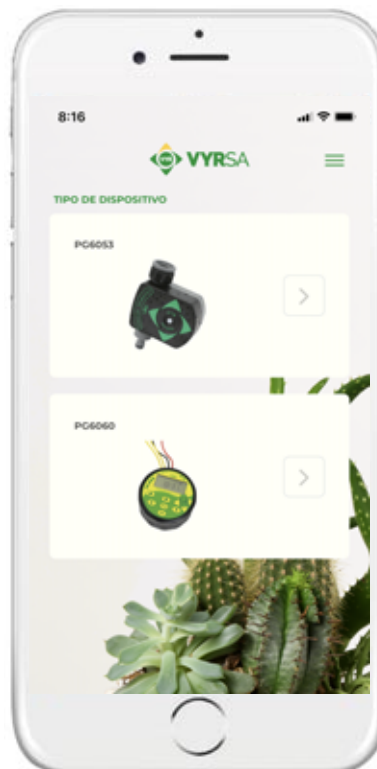
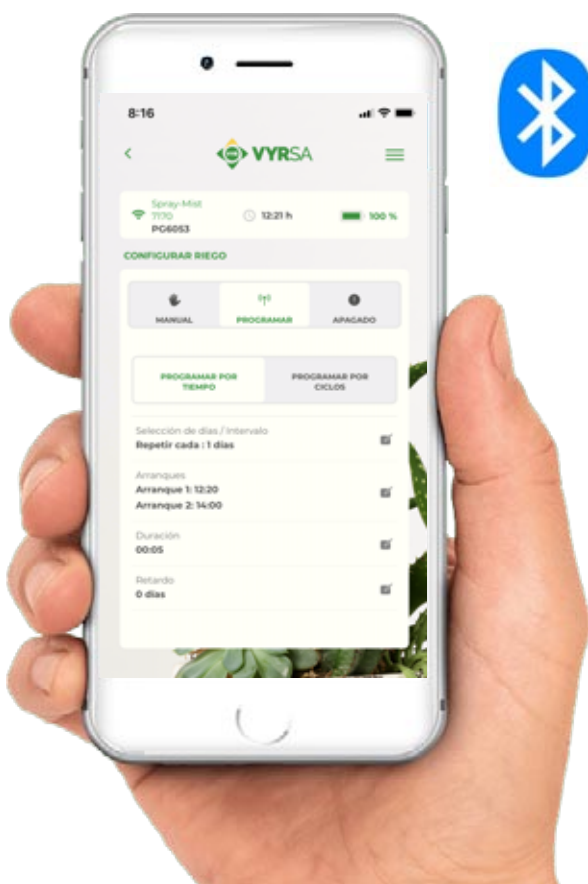
GENERAL PROPERTIES:

- The Hydro-PLUS BT APP has this reduced version for connectivity with BlueTooth 5.0 equipment that allows you to easily link your equipment in a range of 30 meters.
- VYR BlueTooth devices have a security device in which you have to enter a security code that can be modified by the user later in order to establish the link. If someone steals this device, they can not use it without that security code.
- Simple installation through the stores for ANDROID and IOS.
- The intuitive logic of navigation through the application makes it easy to use by the user.
- Once the APP has been installed, select the product model with which you want to establish the link. Both the name of the equipment and the areas to be irrigated can be renamed.
- Two types of programs, cyclical or sequential.
- Simple and quick intuitive screens to configure.
- The intuitive logic of navigation through the application makes it easy to use by the user.
- Valid application for models PG-6053 BT, PG-6060 BT (page 124), PG-6061 BT (page 125), and PG -6015 BT (page 130).

IOS



ANDROID



PG-6010 Master-Latch

PRO-3.0



ESPAÑOL
ENGLISH
FRANÇAIS



TRI
Integrated Radio card
868/928 Mhz (optional)



Outdoor box

MASTER-LATCH PG-6010 PRO-2.1 · Battery operated controller 5, 8 & 14 stations

GENERAL PROPERTIES:

- Number of stations: 5, 8 and 14 stations + main valve.
- Number of programs: 4 independent and overlapping programs (A, B, C and D).
- Number of initiations: 6 initiations per program.
- Duration of cycle: up to 7 days.
- Programming times: from 1 minute to 12 hours per valve, with minute countdown counter.
- MANUAL STARTING of stations and programs with "count-down".
- **NEW!!!** Time delay between valves and pump & valves.
- **NEW!!!** Communication port for tele-control systems through Green-Plus, Hydro-Plus or Green-Pad.
- **NEW!!!** Stuffing box and lock outputs.
- **NEW!!!** Outlet antenna connection.
- Program "D" configurable in seconds or minutes with inhibition from the N/C sensor. This permits connection of differential pressure switches for automatic filter back washing, or connection to fertilizer injection pumps.
- Easy installation, programming and use because of its versatile design and hybrid control system.
- Rotary mechanical control and ergonomic keyboard with 4 keys.
- Digital screen with logical and easy to use icons.
- PAUSE and SKIP IRRIGATION positions.
- Water throughput adjustment between 10% and 400%
- Input for main valve activation and two inputs for sensors, one normally open (differential pressure switch for filter washing), and the other normally closed (rain sensor).
- Security system with low battery ALARM (it closes all the valves and blocks them until the old battery has been replaced).
- Non-volatile memory that saves existing programs so they are not lost in the event of a blackout.

TECHNICAL SPECIFICATIONS:

- Voltage: 9V ALKALINE battery or converter. Internal battery in circuit to keep time in case of blackouts.
- Output: Latch.
- Number of valves supported: 1 Latch solenoid (9V) per outlet at no more than 3 meters distance.
- Terminal strip: cables of up to 1,5 mm

MEASUREMENTS:

- Height: 22 cm
- Width: 16 cm
- Weight: 460 g
- Depth: 5 cm

OPTIONS:

- Outdoor box.
- Solar kit 12 Vdc.

MODELS:

- Ref. **601055**: 5 Stations. LATCH + COM. 2.1 - 3.0
- Ref. **601058**: 8 Stations. LATCH + COM. 2.1 - 3.0
- Ref. **601064**: 14 Stations. LATCH + COM. 2.1 - 3.0

- Ref. **650102**: Outdoor box Hydro-PLUS. (optional)
- Ref. **602502**: TRI card tele-manag. RADIO 868. (optional)





HELIOS RC Radio COM

Ref. 602511



Boxes for external use with options of tele-management



Integration in one box all equipment: PG+CAP+TRI



TRI Integrated Radi card

Ref. 602580



Ref. 602581



Ref. 602582



Ref. 602583

CAP PG-6025 · Tele-Control and Irrigation network systems

The best solution for intelligent and automatic control of your irrigation system is called **Hydro-Plus**. The integration of different control equipment and management make this tool one of the most sophisticated in the market for its range of low-power, long-range communications, and powerful software algorithms for auto-reset "Water Balance".

Communication equipment are:

- **CAP:** The manage centralizing communication link between programmers. It features 3 model options:
 - **CAP GSM / RADIO** (standard): Radio communication with TRI's programmers and Internet.
 - **CAP GSM / RADIO+SENSOR:** It also includes a card with 6 digital inputs, 4 analog and RS485 port.
 - **CAP WIFI-ETHERNET:** Communication in areas with Internet access point through a WIF/ETHERNET modem.
- **TRI:** The mini-card that is placed on the programmers and MSR's to establish wireless communication.
- **MSR:** The remote sensor module with 2 digital inputs and 2 analog outputs for remote sensing in culture.

GENERAL PROPERTIES:

- Communication cards GPRS / WIFI / RADIO for remote communication with programmers PG-6010, PG-6060 (2.1).
- Application Hydro-Pad® free downloadable application for mobile devices and Hydro-Plus® web environment.
- Digital inputs: 6 digital inputs for reading flow meters, pressure transmitters, humidity, soil moisture, etc.
- Analog Inputs: 4 analog inputs for sensors, rain sensors, anemometers, etc.

- Relay outputs: 2 relay outputs for contactors (pump start).
- Remote Access: Radio links to the programmer and radio antennas. (cables and antennas included).
- Outputs for GPRS antennas and RADIO (antenna included).
- Window facility for SIM card.
- Very simple setup and commissioning.

MODELS:

- Ref. 602501: CAP "Communication Access Point" GSM + RADIO (CAP)
- Ref. 602511: CAP GSM + RADIO with SENSOR inputs (CAP+S).
- Ref. 602502: INTEGRATED RADIO CARD (TRI).
- Ref. 602503: REMOTE SENSOR MODULE MSR (field sensors).
- Ref. 602578: Radio wire of 2 meters and mounting base.
- Ref. 602579: Orientable antenna.
- Ref. 602580: Long distance plastic antenna.
- Ref. 602581: Long distance aluminum antenna.
- Ref. 602582: Long distance plastic bumper antenna.
- Ref. 602583: Super-long distance omnidirectional plate antenna.

IOS



ANDROID



PG-6010 4.0 Master Latch Wire + Radio



Compatible con:  **Hydroplus 4.0**



COMUNICACIÓN CON MÓDULOS
OASIS RD



Radio LoRa and GPRS communication modules



MASTER-LATCH PG-6010 4.0 · Radio-Decoder Controller for up to 14+128 stations

GENERAL PROPERTIES:

- **PG-6010 4.0** controller of 9-12Vdc **LATCH, INDOOR**.
- Modular system with **EXPANSION** base plate with 14 wired valves + MV and expandable by **OASIS RADIO DECODERS** up to 80 OASIS modules and a maximum of **remote 128 valves**.
- Number stations: 14 wired valv. + 128 radio valv. + 1 MV + 8 pumps.
- Number of programs: 6 independent and overlapping programs.
- Number of starts: 6 starts per program.
- **FERTIRRIGATION** of up to 4 fertilizers with pre-wash time.
- Program "E" for **AUTO-ACTIVATION** configurable in number of stations in hr/min/sec. Inhibition from the N / C sensor that allows to connect pressure differential pressure switches for the counter-washing of automatic filters, connection to fertilizer injection pumps or temperature sensors for **FLUSH-BACK WASHING** or **FROST PROTECTION**.
- Program "D" for **DEMAND IRRIGATION (ON-OFF)**.
- Cycle duration: up to 7 days. (12 h max per valve).
- Programming times: from 1 minute to 12 hours per valve, with descending counter in minutes.
- **MANUAL START** of stations and programs with "countdown".
- Programmable delays between stations and / or pump.
- **COMMUNICATIONS PORT** for remote control through **OASIS** modules for tele-control through the APP of **HydroPLUS**.
- **INDOOR BOX** with Ø20mm gland outlets for wires and with outlets for outdoor antenna.
- Easy installation, programming and use thanks to its versatile design and its hybrid control system.
- Rotary mechanical control and 4-key ergonomic keyboard.
- Digital display with LED backlight and icons that make it very easy to use.
- **PAUSE** position up to 7 days.

- Adjustment of water supply between 10% and 400%
- Input for activation of master valve and two inputs for sensors, one normally open (differential pressure switch for washing filters), and the other normally closed (rain sensor).
- Safety system with low battery **ALARM** (closes all valves and is blocked until the change by a new battery).
- Volatile memory that keeps the programs made and are not deleted in case of blackouts.

TECHNICAL SPECIFICATIONS:

- Voltage: 9V-12Vdc. Internal battery in circuit to keep the time temporarily in case of blackouts.
- Output: Latching 12 Vdc 110 msec
- Number of admissible valves: 1 Latch solenoid of 9-12V per output no more than 12 meters away.
- Connection strip: cables up to 1.5 mm.

MEASUREMENTS:

- Height: 22 cm
- Width: 16 cm
- Weight: 460 g
- Depth: 5 cm

The perfect solution for coverage irrigation systems!!!

MODELS:

Ref. **601040**: PG-6010 Master-Latch 4.0 - 14 STATIONS

Ref. **602612**: COM Card LoRa + BlueTooth

Ref. **602613**: COM Card LoRa + BlueTooth + GPRS + WiFi

Ref. **602614**: Remote module LoRa OASIS 4 stations latch BAT.

Ref. **602615**: Remote module LoRa OASIS 4 stations latch SOLAR.

PG-6011 Master Rain

Wire + Radio + GPRS + BT



Compatible con:
Hydroplus 4.0



COMUNICACIÓN CON MÓDULOS
OASIS RD



Radio LoRa and GPRS communication modules



MASTER-RAIN PG-6011 · Modular Latching Controller up to 14 +128 stations.

GENERAL PROPERTIES:

- PG-6011 4.0 controller of 9-12Vdc LATCH, OUTDOOR.
- Modular system with EXPANSION base plate with 14 wired valves + MV and expandable by OASIS RADIO RECORDERS up to 80 OASIS modules and a maximum of remote 128 valves.
- Number of stations: 14 wired valv. + 128 radio valv. + 1MV + 8 pumps.
- Number of programs: 6 independent and overlapping programs.
- Number of starts: 6 starts per program.
- FERTIRRIGATION of up to 4 fertilizers with pre-wash time.
- Program "E" for AUTO-ACTIVATION configurable in number of stations in hr/min/sec. Inhibition from the N / C sensor that allows to connect pressure differential pressure switches for the counter-washing of automatic filters, connection to fertilizer injection pumps or temperature sensors for FLUSH-BACK WASHING or FROST PROTECTION.
- Program "D" for DEMAND IRRIGATION (ON-OFF).
- Cycle duration: up to 7 days. (12 h max per valve).
- Programming times: from 1 minute to 12 hours per valve, with descending counter in minutes.
- MANUAL START of stations and programs with "countdown".
- Programmable delays between stations and / or pump.
- COMMUNICATIONS PORT for remote control through OASIS modules for tele-control through the APP of HydroPLUS.
- OUTDOOR BOX with press-stop clamps and security lock with Ø20mm gland outlets for wires.
- Easy installation, programming and use thanks to its versatile design and its hybrid control system.
- Rotary mechanical control and 4-key ergonomic keyboard.
- Digital display with LED backlight and icons that make it very easy to use.
- PAUSE position up to 7 days.
- Adjustment of water supply between 10% and 400%
- Input for activation of master valve and two inputs for sensors, one normally open (differential pressure switch for washing filters), and the other normally closed (rain sensor).

- Safety system with low battery ALARM (closes all valves and is blocked until the change by a new battery).
- Volatile memory that keeps the programs made and are not deleted in case of blackouts.

TECHNICAL SPECIFICATIONS:

- Voltage: 9V-12Vdc. Internal battery in circuit to keep the time temporarily in case of blackouts.
- Output: Latching 12 Vdc 110 msec
- Number of admissible valves: 1 Latch solenoid of 9-12V per output no more than 12 meters away.
- Connection strip: cables up to 1.5 mm.

MEASUREMENTS:

- Height: 24 cm
- Width: 20 cm
- Weight: 1022 g
- Depth: 11 cm



Ref. 602615

MODELS:

- Ref. 601101: PG-6011 OUTDORR 1- 128 VALV.
- Ref. 601102: PG-6011 OUTDOOR 1- 128 VALV. + COM

Ref. 602612: COM Card LoRa + BlueTooth

Ref. 602613: COM Card LoRa + BlueTooth + GPRS + WiFi

Ref. 602614: Remote module LoRa OASIS 4 stations latch BAT.

Ref. 602615: Remote module LoRa OASIS 4 stations latch SOLAR.

Ref. 602615: Contactor LATCH relay for starters.

OASIS RD Radio Decoders

Up to 12 Km!



OASIS RD · Modular Tele-Control System and Irrigation Networks

With **OASIS RADIO DECODERS** is no longer necessary to wire or connect with hydraulic micro-pipe from the programmer to the valves, thus avoiding costly installation, risk of breakdown, maintenance costs, etc. The OASIS RD receiver modules are fully autonomous and receive re-programming from the central controller. In case of communication failures, the OASIS will continue operating according to the last received programs.

The **OASIS RD** System offers you the possibility to directly communicate valves in the field either through a master programmer or directly with a communication gateway to tele-manage it from a mobile application **APP of HydroPLUS 4.0**.

This system has a design that follows the modular concept of "LEGO" and part of a motherboard from which we can add a series of mini-electronic cards that we call "BRICK". Each of these BRICK has a function:

- Storage and program management (BRAIN BRICK)
- WiFi, GSM, BT or Radio LoRa communication (COM BRICK)
- Pulse outputs for solenoids LATCH (VALVE BRICK)
- Inputs for remote sensors. (SENSOR BRICK)

- Valid system to integrate with models PG-6061 BT (page 125), PG-6011 BT (page 127), and PG-6015 BT (page 132).
- The LoRa communication allows us to communicate equipment and valves to each other in urban spaces or fields with irregular geography, minimizing the impact of obstacles and maintaining good communication.

TECHNICAL SPECIFICATIONS:

- 54,5 Vdc power supply.
- Number of stations: 4.
- Mobile telemanagement APP: HydroPLUS 4.0 or V-BT

DIMENSIONES:

- Altura: 6 cm
- Profundidad: 5 cm
- Ancho: 6 cm
- Peso: 220 g

MODELS:

EMITTERS:

Ref. 602614: LoRa remote module OASIS 4 stations latch **BAT**.

Ref. 602616: LoRa remote module OASIS 4 stations latch **SOLAR**.

DATA LOGGERS:

Ref. 602631: Data-Logger with 2 inputs.

Ref. 602632: Data-Logger with 4 inputs.

ACCESORIES:

Ref. 602611: Orientable installation clamp kit for OASIS.

Ref. 602612: Telescopic pole for OASIS instalation at 2,5 m.

WIRE ISOLATED CONNECTORS:

Ref. 625135: Mini-coNnector GEL 2 cables de 0,5-1,5 mm², máx. 30V

Ref. 625544: Multiconnector 5 wires with latching poles.

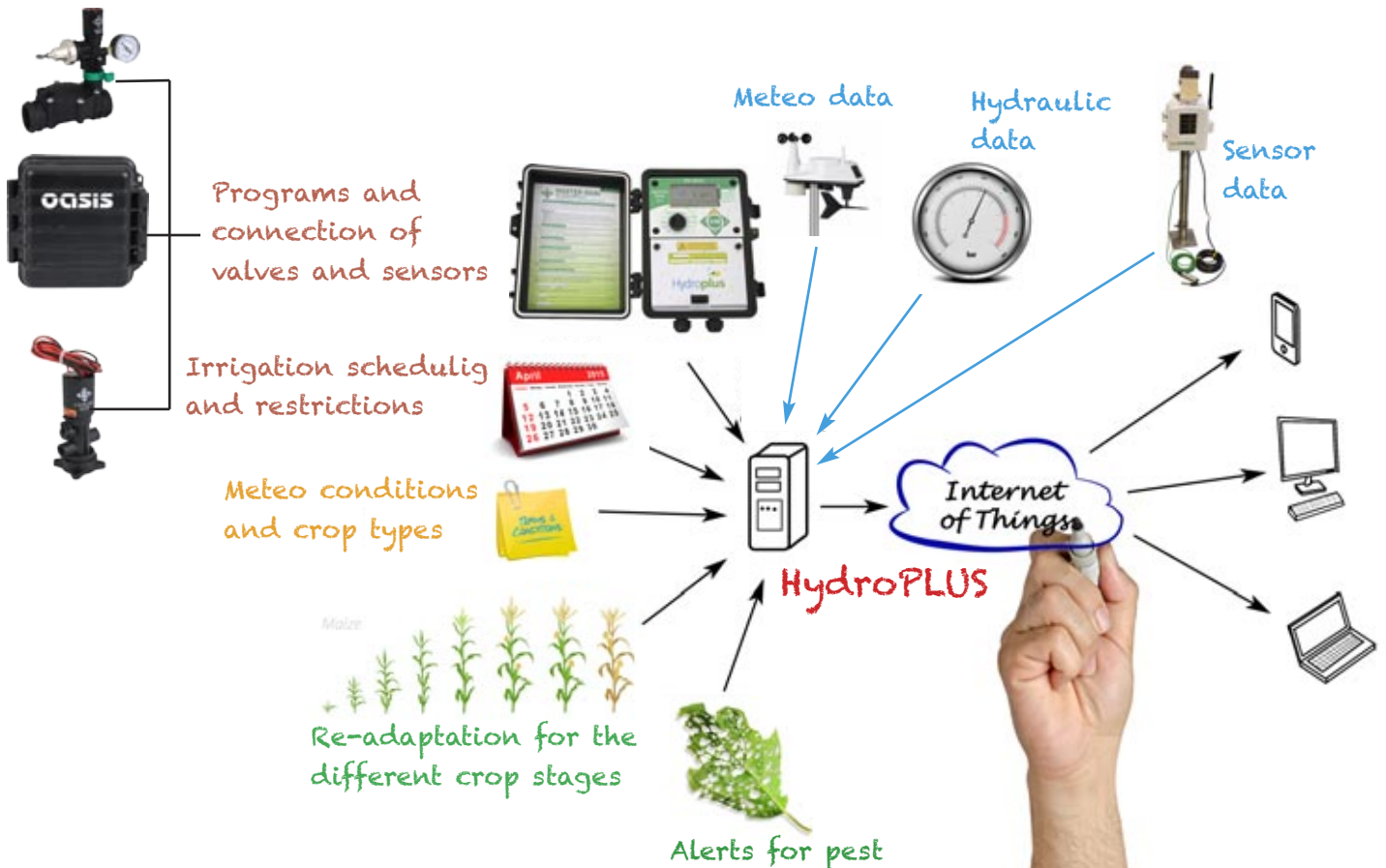
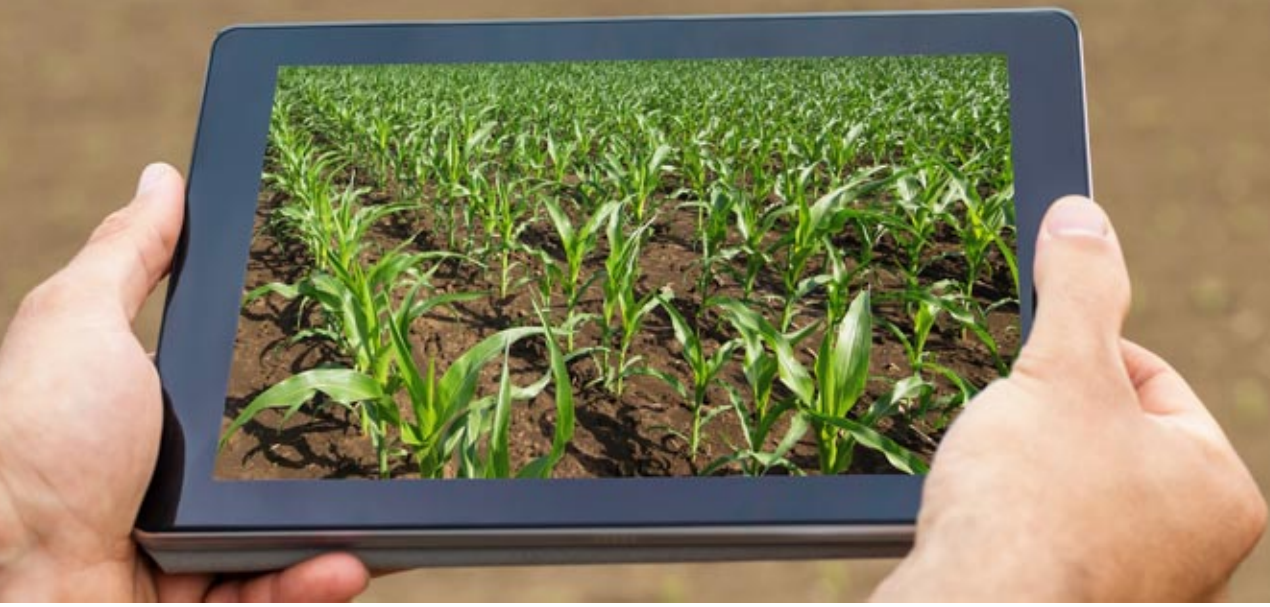
Ref. 625552: GEL capsule for 5 wire multiconnector isolation.



Ref. 625135

(See pag. 141)

Program the production and quality of your crops.



Mobile APP

Designed for agricultural control and tele-management.



HYDRO-PLUS APP:

The HYDRO-PLUS APP application for IOS and ANDROID mobile devices is based on the WEB application of www.hydro-plus.es and has an intelligent software and the most common tele-management tools. Thanks to its use, we will increase the savings and the good management of irrigation and water.

With HYDRO-PLUS APP you can remotely connect to all controllers linked into your account through a LOG-IN security system. You can generate groups of programmers and re-name them as you wish to order according to your needs. Once connected to a controller, you can perform all programming and manual control operations as if you were on your farm. Also from the APP you can configure the different conditions by meteorological or sensory alarms.

Through intelligent algorithms, the APP offers a fully automatic daily water balance of its own depending on the environmental conditions, irrigation local agenda or restrictions, on crop agronomic data, and even the forecast of diseases and pests.

MOBILE CONTROL:

- Reading and Reprogramming.
- Remote Manual Control.
- Alarm Settings.
- Communications failure.
- Reading of sensors.
- Box intrusion.
- Pressure / flow.
- Restrictions and irrigation agenda.
- Geo-location on map.
- Failure in opening / closing.
- Communications failure.
- Weather forecast for the next days.
- History of irrigation and water use.
- Alarm warnings.
- Etc...

IOS

ANDROID





Web-APP www.hydro-plus.es

WEB-APP for professional management



Hydro-Plus 4.0 is the software application for control of irrigation VYR-PG controllers with communication access, designed for PCs, phones and tablets with Internet access. This application is based on the Hydro-Plus software and allows us logically and visually analyze the actual situation of our irrigation controllers and make changes to their settings.

HYDRO-PLUS (www.hydro-plus.es):

Hydro-Plus 4.0 is a **web application** for remote control from any device with internet access. After programming and integration of different system components (valves, pumps, meters, nozzles, weather stations and sensors, etc ...), we can generate management patterns depending on the agro-meteorological and physical conditions of the system, thus generating different types of alarm.

GPS for location and actual positioning network maps of the different components of the system. Organize easily create different groups of plants per irrigation plot, crop types, etc. and independently manage their programming. Other devices than irrigation can be controlled for activation such as lighting, power, alarms, cameras, doors, etc.

HYDRO-BALANCE (examples):

- If the case of precipitation above a given range or set to a moisture content of soil also out of range, the start times will be delayed and even adjust watering times to the needs of the plant and soil.
- If the level of evapotranspiration is a large percentage increase run times for recovering the lost water.

CORE CONDITIONS:
Using this intelligent software you can adjust watering times to the needs of demand for their crops taking into account the weather and measuring sensors in culture:

- Soil moisture > / = RUN CANCEL/ INCREASE OF IRRIGATION
- Soil moisture < / = .% INCREASE OF IRRIGATION
- If the ETo > / < = DECREASE / INCREASE
- Reset by precipitation mm/m²/h
- Delay wind speed
- Program soda if temperature > °C
- Anti-freeze if the temperature program < °C.

ALARM WARNINGS:
Hydro-Plus system is able to generate alarms and automatic alarm-system disabler. Alarms can activate by:

- Intrusion relay.
- Pressure / flow (delay irrigation valve from where it left off).
- Failure of communication.
- Level.

These alarms can be sent to mobile devices via SMS or e-mail.

USER PLAN	REF #	# PG's	# Decod. per PG	# Accounts	METEO-SMART	AGRON.	PEST CONTROL
BASIC	602501	1 - 4	< 15 / PG	1	NO	NO	NO
					YES	NO	NO
					YES	YES	NO
					YES	YES	YES
PLUS	602504	5 - 12	< 50 / PG	4	NO	NO	NO
					YES	NO	NO
					YES	YES	NO
					YES	YES	YES
MASTER	602520	13 - 50	< 128 / PG	8	NO	NO	NO
					YES	NO	NO
					YES	YES	NO
					YES	YES	YES

PRO PLAN	REF #	USERS
LOCAL	602020	1 - 20 users
RESIDENTIAL	602050	1 - 50 users
COMMUNITY	602100	1 - 100 users

NOTE: The cost of the above licenses includes the SIM card service in the GPRS modems (included).

PG-6015 DECODER ^{TWO} WIRE

Cable + Radio + GPRS + WiFi



WIRE DECODERS



RADIO DECODERS



MASTER-DECODER PG-6015 · 2 Wire Decoder + Radio Decoder and GPRS (255 stations)

GENERAL PROPERTIES:

- 24Vac **DECODER CONTROLLER** for 2-WIRE or RADIO decoders.
- The same programmer acts as a programming console for the field decoders. Easy and quick to program.
- Number of decoders: Up to **127 wired stations + 128 radio stations + master valve + sensors**.
- Number of programs: 6 independent and overlapping programs.
- Number of starts: 6 starts per program.
- Cycle duration: up to 7 days. (days, interval, odd or even).
- Programming times: from 1 minute to 12 hours per valve, with descending counter in minutes.
- Wire range up to **1,500 m (5000 ft)**, and Radio up to 12 Km (7,5 Mi).
- **MANUAL START** of stations and programs with "countdown".
- Programmable delay between stations and / or pump.
- **DOSIFICATION PROGRAM** of up to 4 fertilizers with independent waiting time and dosing time.
- Up to 6 Master-Valves and/or Pumps. Configurable!
- Communications port for remote control through Hydro-Plus by GPRS or WiFi communication.
- Sensor inputs: of different types like ON/OFF / 4-20 mA / digital CC / digital 1-255 Hz / SDI-12.
- Outdoor box with press releases-tow and safety lock.
- Outlets for outdoor antenna and sensor inputs.
- Program "E" configurable in minutes or seconds with inhibition from the N / C sensor. This allows us to connect pressure differential pressure switches for the **automatic WASHING OF FILTERS, FROST-PROTECTION**, connection to fertilizer injection pumps or short sequential irrigation.
- Easy installation, programming and use thanks to its versatile design and its hybrid control system.
- Rotary mechanical control menu and 4-key ergonomic keyboard.
- Digital display with icons that make its management very logical and simple.
- **PAUSE and DELAY** menu positions.

- Water supply adjustment between 10% and 400%
- Input for activation of master valve and two inputs for sensors, one normally open (differential pressure switch for washing filters), and the other normally closed (rain sensor).
- Non-Volatile memory that keeps the programs made and are not deleted in case of blackouts. Connection to external 3Vdc battery to maintain the time and calendars in case of power cuts.

TECHNICAL SPECIFICATIONS:

- Voltage: 110 / 220V transformer from 2300 mA to 24Vac.
- Output: 24Vac.
- Number of admissible valves: 2 24Vac solenoids per decoder.
- Connection strip: cables up to 1.5 mm.

MEASUREMENTS:

- Height: 22 cm
- Width: 16 cm
- Weight: 460 g
- Depth: 5 cm

MODELS:

- Ref. 601595: PG-6015 DECODER INDOOR 1- 255 VALV.
- Ref. 601596: PG-6015 DECODER OUTDOOR 1- 255 VALV. (COM)

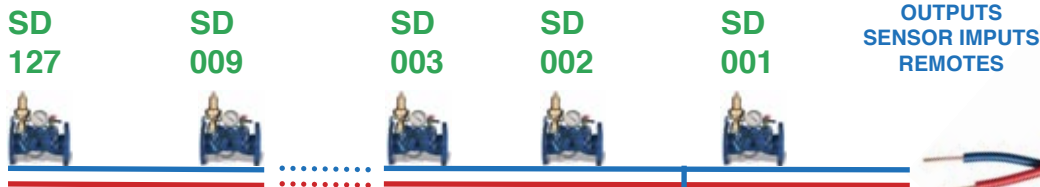
- Ref. 602612: COM Card LoRa + BlueTooth
- Ref. 602613: COM Card LoRa + BlueTooth + GPRS + WiFi



Radio LoRa and GPRS communication modules

PG-6015 DEC

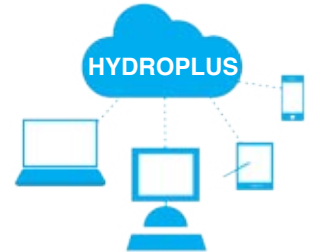
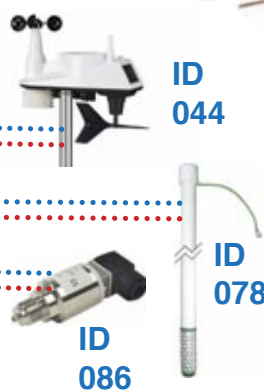
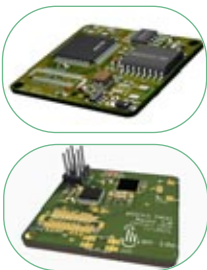
2 Wire Decoder 24Vac and/or Radio Decoder 9-12Vdc Latch



Compatible with:
Hydroplus



COMMUNICATION WITH MODULES
OASIS RD



GENERAL PROPERTIES:

- License for Smart Irrigation Controller of 220/24 Vac for connection to the network via WIFI or 3G modem, which is connected to the electro-valves by means of a 2-wire copper cable hose, on which the voltage is sent and necessary data to open / close these through a decoding micro-electronics.
- It has 6 independent and overlapping programs (A, B...F) and up to 6 daily starts per program.
- The same programmer acts as a console to re-program the code of the decoders.
- Anti-tormetas protection.
- It can be controlled remotely through our APP HydroPLUS. Enter the characteristics of the land and its plants to automate the Smart Irrigation settings (type of land, type of plant, sunny or shaded area, level of inclination of the land, etc ...).
- Automatic detection of the connection of 24 Vac valves.
- Detection of short-circuits or wiring failures.
- Inputs for humidity / rain sensors.
- Very simple configuration and start-up.



MODELS:

2 WIRE DECODERS

- Ref. 601521: DECODER-SOLENOID 24Vac 2 way (integrated)
- Ref. 601523: DECODER-SOLENOID 24Vac 3 way (integrated)

- Ref. 601501: Field DECODER dfor SD-1 STATION.
- Ref. 601502: Field DECODER dfor SD-2 STATIONS.
- Ref. 601504: Field DECODER dfor SD-4 STATIONS.

- Ref. 601512: DECODER MSR FLOW sensor (pulse).
- Ref. 601513: DECODER MSR PRESSURE (0,25 - 2,25 mA).

- Ref. 601514: END LINE DECODER terminal with LED for testing.



RADIO DECODERS

- Ref. 601195: LoRa remote module OASIS 4 stations latch BAT.
- Ref. 601198: LoRa remote module OASIS 4 stations latch SOLAR.





Intelligence combined with simplicity for a perfect watering!

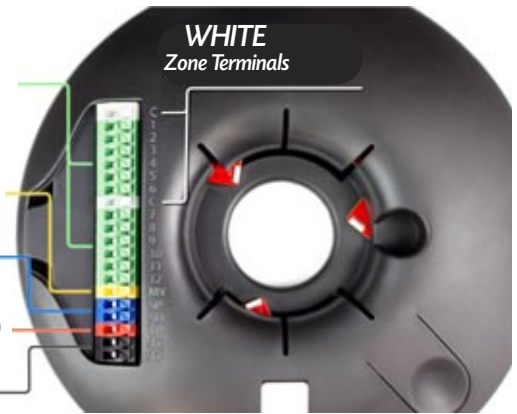
MEET THE MOST INTUITIVE, INNOVATIVE AND INTELLIGENT IRRIGATION PROGRAMMER IN THE MARKET

Other smart programmers have a set schedule and only adjust the duration of the irrigation depending on the weather conditions. The Skydrop software starts with the most accurate evapotranspiration calculations and weather forecasts, and then dynamically schedules when each zone should be watered, and also for how long.

From your lawn, to your flower areas and orchards, Skydrop takes care of all the details (including local watering restrictions) so you do not have to worry. And when we say all the details ...

And we mean it!

- GREEN**
Valves
- YELLOW**
Master Valve
- BLUE**
Sensor Connect.
- RED**
Testing terminal (contin. power 24V)
- BLACK**
Power AC

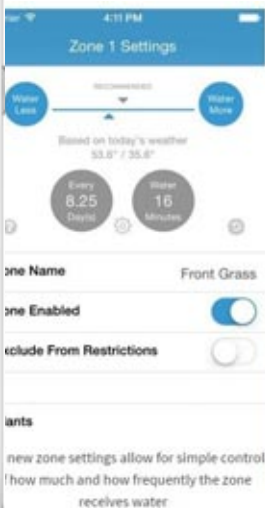


Adaptador para anclaje a pared

Luminous code of colors indicating the status of the programmer:



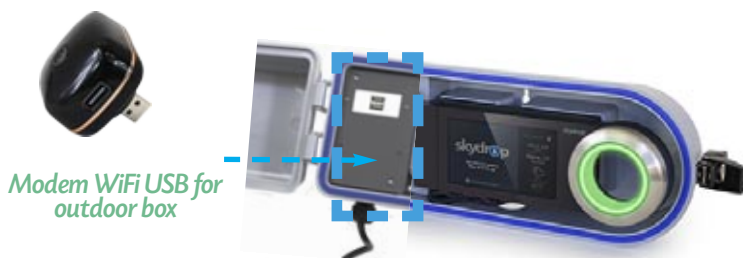
- GREEN**
Connected to WiFi
- BLUE**
Irrigating
- YELLOW**
No WiFi connection
- RED**
Short-Cut at valve





SKYDROP PLUS

Smart irrigation



Modem WiFi USB for outdoor box



Outdoor box

SKYDROP · Tele-Control Systems and Intelligent Irrigation Networks

GENERAL PROPERTIES:

- Smart Scheduler 220 / 24Vac for network connection via WiFi, which interact with agronomic data and local meteorological data for re-programs the timing and frequency of watering as needed.
- Enter the characteristics of the land and its plants to automate settings Intelligent Irrigation Skydrop (soil type, plant type, sunny or shady area, level sloping terrain).
- The SKYDROP® application is a free download for mobile devices and also features a web application environment for installers-administrators and manage user groups.
- Automatic detection of connection of the valves 24 Vac.
- Detection of short circuits or faulty wiring.
- Humidity Sensor Inputs / rain.
- Input for flowmeter and counter water consumption.
- Very simple configuration and commissioning.

MODELS:

Ref. 609001: SKYDROP controller with 8 stations + MV and flow and humidity sensors.

Ref. 609002: Expansion module 9-16 stations + sens.

Ref. 609003: Outdoor security box.

Ref. 609004: Mini-Modem GSM - WiFi.





www.skydrop.com

the app for mobile devices

SkyDrop smart programmer has a free application APP for both IOS as Android devices that lets you view and remotely operate everything that happens in your programmer. Create your account quickly and easily through MySkyDrop.com and link your mobile device with your programmer using the security code will be provided.

In addition SkyDrop also has a WEB application for professional control irrigation networks and manage a set of local customers. In this way a professional installer can configure and manage all customers and programmers to ensure that programming is optimal and that is saving water while the appearance of the gardens is improved.

Simply follow the initial setup steps that the same programmer will guide you to enter the agronomic data of different irrigation stations: soil type (sand, screening, clayey, silty), type of plant (grass, shrubs, trees, flowers), solar radiation (sunny, semi-sunny, shaded), type of issuer (diffuser, rotary, turbine-sprinkler, drip), tilt (flat, slightly sloping steeply inclined). With all this information with meteorological data and you know at all times the optimal way to run the risks.

From SkyDrop applications we can program the desired time starts and irrigation. Also, if the option "Smart Irrigation" is activated watering times are automatically re-adjusted daily depending on the weather forecast and actual status of the land. Another of the options is "Active Minutes" that allows us to make small adjustments to the irrigation recommended increasing or decreasing this proportion.

IOS



ANDROID



Experience the Skydrop difference

Easy to install

Connects to your existing sprinkler system wiring in minutes.

The right way to water

Use up to 50% less water.

Wi-Fi Enabled

Access real-time information from anywhere.

Simple to use

Quickly to program to meet local water restrictions.



Manage Anywhere

Phone, computer, tablet-precision control at your fingertips.

Real-time neighborhood weather data

Predictively adjusts to hyper-local, real-time weather conditions.

Control the savings

Dynamic schedule for maximum conservation.

Integrates with other smart home systems

Quickly to program to meet local water restrictions.

VYR-6500 Aluminum Deluxe Cabinet

Controller Accesories



Ref. 650000 **IP 55**

GENERAL PROPERTIES:

- Leak-tight aluminium cabinet with stainless steel hinges and double lock with safety key.
- Movable plate with the capacity to house V-6000/6001/6010/6015 controllers, RTU and SATELINE SERIES (radio, gprs, modems), transformers and temperature sensor.
- Mostly used on golf courses and municipal urban areas for the remote management of multiple and varied irrigation zones.
- IP-55 sealing and interior ventilation to avoid condensation.
- Lower cubicle for hydraulic valves (15) or communication systems, modem and modules supporting 8 stations (up to 48).
- "Hydro-control" kit of up to 15 hydraulic solenoid valves to drive the valves hydraulically.
- Painted with light grey polyester-epoxy resin. (20x15x115 cm).

MODELS:

Ref. 650000: Model for hydraulic systems.

Outdoor plastic box

Controller Accesories



Ref. 650102



Ref. 650115



GENERAL PROPERTIES:

- Plastic cases of polycarbonate reinforced with fiberglass and IP-66 sealing for protection of electronics.
- Covers with cut-outs M20, M25 / 32 and M32 / 40.
- Set of hinges with drilling template.
- IP-68 cable entry gland and anti-condensation cap included.
- Machined to accommodate programmers VYR-6000 / 6001 / 6010 / 6015, transformer and temperature sensor plate.

MODELS:

Ref. 650102: HydroPlus IP-66 box with safe locks 250 x 170 x 220 mm

Ref. 650101: IP-66 with lock INOX 180 x 180 x 90 mm

Ref. 650100: IP-66 with lock INOX 254 x 180 x 115 mm

Ref. 650108: IP-66 conjunction box for 8 estat. (COMMON).

Ref. 650115: IP-66 conjunction box for 15 stat. (COMMON).

Ref. 650290: Humidity valve plug.

Ref. 650251: Gland of 16 mm

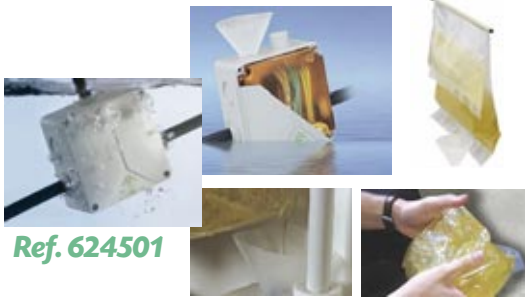
Ref. 650252: Gland of 20 mm

Ref. 650253: Gland of 25 mm



Accesories & connections PG's

Controller Accesories



Ref. 624501

GENERAL PROPERTIES:

- Accessories for connecting cables, packing gland, and anti-condensation vents to prevent short-circuits or shunts electric irrigation facilities, wiring closets and programmers.

MODELS:

Ref. 624501: Kit of isolation gel of 600 ml. to filled up boxes. Isolation IP-68.

Ref. 625125: IP-68 connector female-male for 3w 0,5-1,5 mm², max. 30V

Ref. 625542: Multiconnector for 2 wire with LATCH.

Ref. 625543: Multiconnector for 3 wire with LATCH.

Ref. 625544: Multiconnector for 5 wire with LATCH.

Ref. 625551: Capsule S with GEL for multiconnector (2 wire).

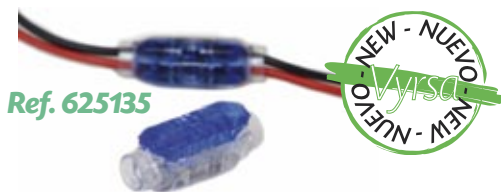
Ref. 625552: Capsule L with GEL for multiconnector (2x2 wire / 1x3 wire).

Ref. 625553: Capsule XL with GEL for multiconnector (3x2 wire / 2x3 wire / 1x5 wire).

Ref. 625130: Connector standard for 3 wire of 0,5-1,5 mm², max. 30V

Ref. 625133: Connector standard for 3 wire of 1-2,5 mm², max. 30V

Ref. 625131: Connector standard for 3 wire of 4 mm², max. 30V



Ref. 625135



Ref. 625553

Ref. 625544

Ref. 625133



Ref. 625130



Ref. 625131



Ref. 625125



Power transformers

Controller Accesories



Ref. 630224

Ref. 630324

VYR-6300 POWER TRANSFORMERS / CONVERTERS:

Ref. 630212: TRANSFORM. EUROPE 220 V - 12 V DC - 1,5 Amp

Ref. 630112: TRANSFORM. AMERICAN 110 V - 12 V DC - 1,5 Amp (CLAVIJA PLANA)

Ref. 630224: TRANSFORM. EUROPE 220 V - 24 V AC - 1,5 Amp

Ref. 630124: TRANSFORM. AMERICAN 110 V - 24 V AC - 1,5 Amp (CLAVIJA PLANA)

Ref. 630324: TRANSFORM. EUROPE 220 V - 24 V AC - 0,3 Amp

Pump Relays & Starters

Controller Accesories



Ref. 620109

Ref. 620107

RELAY CONTACTORS & STARTERS:

Ref. 602615: Mini-Relay **LATCHING** 12Vdc contactor for starters.

Ref. 620112: CONTACTOR 12V dc / 110-220V, 2-3 PHASES / 5-7,5 HP

Ref. 620124: CONTACTOR 24V ac / 110-220V, 2-3 PHASES / 5-7,5 HP

Ref. 620109: CONTACTOR 9/12V dc LATCH / 110-220V

Ref. 620107: BASIC PUMP STARTER BOX 110-220V up to 7,5 HP

Ref. 620125: PROGRESIVE PUMP STARTER BOX 220-400V up to 25 HP

Ref. 620140: VARIATOR PUMP STARTER BOX 220-400V up to 200 HP



Ref. 602615

VYR-6030 Rain-Click Controller Accesories



Ref. 603001

GENERAL PROPERTIES:

- Safe and reliable. Adjustable humidity level.
- Very easy to connect to the controller.
- Saves water!

MODELS:

Ref. 603001: Rain-click.

VYR-6033 Wind-click Controller Accesories



Ref. 603301

GENERAL PROPERTIES:

- Seguro y fiable. Grado de humedad regulable.
- Muy fácil de conectar a cualquier programador con entrada de sensor de velocidad de viento.
- Modelo relé con conmutador ajustable.

MODELS:

Ref. 603301: Wind-click + adjustable relay.

Ref. 603305: Wind-PRO digital.

Ref. 603355: Wind-PRO + relay reg. 12-24Vdc.



Ref. 603305

VYR-6034 Flow-Click Controller Accesories



Ref. 603401

GENERAL PROPERTIES:

- Safe and reliable. Flow level from 1,5 - 2250 l/min. For 3/4" - 8" pipes.
- Very easy to connect to the controller with NO/NC sensor.
- Saves water!

MODELS:

Ref. 603401: Flow-click.

VYR-6031 Humi-Click Controller Accesories

GENERAL PROPERTIES:

- Safe and reliable. Adjustable humidity level.
- Very easy to connect to a controller with sensor intake.
- Bypass NO/NC Adjustable.
- Enabling switch.

MODELS:

Ref. 603101: HUMI-click Power of 24 Vac

Ref. 603102: HUMI-click Power of 9 Vdc LATCH.

Ref. 890002: Soil-moisture sensor.

Ref. 633111: Soil-moisture sensor with PVC pipe of 1,3 m

Ref. 633120: Mobile display for soil-moisture sensor.

Ref. 633113: Ground auger.



VYR-6032 Soil moisture sensor Field-Scout

Controller Accesories



GENERAL PROPERTIES:

- Reading of instantaneous temperature and humidity.
- Very easy to connect to any programmer with sensor input.
- Bypass NO / NC. Reprogrammable.
- Enabling switch.

MODELS:

Ref. 603201: Humidity-temperature Instantaneous sensor "WaterScout".

Ref. 603202: Portable tool with soil-moisture sensor. Instant + Display TDR 300.

VYR-6040 Temperature sensor Clima-Click

Controller Accesories



Ref. 604001



VYR-6040 GENERAL PROPERTIES:

- Safe and reliable.
- Adjustable temperature switch level (0/+50).
- Very easy to connect to controllers. VYR-6000 / 6001 / 6010 / 6015.
- Bypass NO/NC. Reprogrammable.
- Enabling switch.

APLICACIONES:

- Anti-frost irrigation and ambient temperature control.

MODELS:

Ref. 604001: Clima-click + Adjustable Relay



VYR-6042 GENERAL PROPERTIES:

- Reading range -10°C to +60 °C
- 4 - 20 mA analog output.
- Power 12Vdc
- Easy connection to any controller with sensor input.

MODELS:

Ref. 604201: Analog temperature sensor.

Ref. 604202: Analog temperature sensor with display.



VYR-6036 Soil moisture probe

Controller Accesories



Ref. 603601

GENERAL PROPERTIES:

- Professional soil moisture sensor with 6-9 humidity sensors inside to measure moisture in different soil levels.
- Intelligent Electronics calculation built for use with HydroPlus.
- Measurement of soil moisture for calculating crop water needs.

MODELS:

Ref. 603601: Probe of 9 sensors, 900 mm

Ref. 603602: Probe of 6 sensors, 600 mm



VYR-6037 Rainfall Sensor



GENERAL PROPERTIES:

- Made of plastic.
- Digital output with 1% accuracy by rocker with spoons system dump.
- Very easy to connect to any programmer with digital sensor input.
- Equipped with filter and anti-bird needles.
- Cable of 10 meters.
- Flanges Tube clamps INOX-column.

MODELS:

Ref. 603701: Rainfall digital sensor.

VYR-6039 Presence sensor



GENERAL PROPERTIES:

- Made of plastic.
- Output to NC/NO by magnetic system locked.
- Very easy to connect to any programmer with sensor input NO/NC.

MODELS:

Ref. 603901: Magnetic presence sensor.

VYR-6038 Flow Digital Emitters



Ref. 603801



Ref. 603802

GENERAL PROPERTIES:

- Made of highly resistant plastic.
- Digital output with accuracy of 0,2%.
- Very easy to connect to any programmer with digital input flow reading.

MODELS:

Ref. 603801: Flow meter of 1" compact 2 - 100 l/min
 Ref. 603802: Digital reader for flowmeters series CH500
 Ref. 603803: Digital reader for flowmeters series CH1000



Ref. 603803

VYR-6035 Pressure click sensor



Ref. 603501

GENERAL PROPERTIES:

- Made of stainless steel.
- Output 4-20 mA with high precision of 0,1%.
- Easy to connect to our date collector controllers.

MODELS:

Ref. 603501: 0-10 BAR output 4-20 mA.
 Ref. 603502: 0-2 BAR DIFFERENTIAL output 4-20 mA.

VYR-6041 Level sensor



Ref. 604101

GENERAL PROPERTIES:

- Made of plastic.
- Very easy to connect to any programmer with sensor input NO/NC.

MODELS:

Ref. 604101: Magnetic level sensor.

Solar Kits

Controller Accesories



GENERAL PROPERTIES:

- Charging system using solar panels and voltage regulators.
- Aluminum frames and safety glass for maximum protection of the panels.

MODELS:

Ref. 607052: SOLAR PANEL A-1/4 W. (PG-6010 & Green-Plus)

Ref. 607060: SOLAR PANEL A-10/10 W. (PG-6010 & Green-Plus)

Ref. 607065: SOLAR PANEL A-50/50 W.

Ref. 607099: Adjustable pole fastening base 3.5 meters.

Ref. 607090: Charging regulator.

Batteries

Controller Accesories



Ref. 607012

VYR-6040 GENERAL PROPERTIES:

- Heavy duty batteries and rechargeable for our programmers and data communication systems.

MODELS:

Ref. 607012: RECHARGABLE BATTERY 12 Vdc, 9 Ah

Ref. 607098: VOLTAGE LIMITATOR for 12Vdc



Ref. 607005

Ref. 607098

Micro-Hydraulic Turbine for Battery Charge

Controller Accesories

The MICRO- HYDRAULIC TURBINE has been manufactured in polyamide and developed to be able to maintain the battery charge of a tele-control system, taking the external energy through the existing flow in the irrigation system pipes. The power supplied to charge the battery is approximately 3.7 Vdc, 1A / 3.7 W (peak).



Ref. 607095

GENERAL PROPERTIES (3,7 V):

- Nominal pressure: PN-10 (10 BAR / 145 PSI))
- Connection: 1/2 "male x 1/2" male.
- Working flow range: 1.5 - 20 L / min (0.5-2 BAR).
- Working temperature range: -12 °C / + 65 °C
- Output voltage: 3.7 Vdc.
- Current: 1000 mA.
- Control of the load ON / OFF maneuver.

GENERAL PROPERTIES (7,2 V):

- Nominal pressure: PN-10 (10 BAR / 145 PSI))
- Connection: 1/2 "male x 1/2" male.
- Working flow range: 1.5 - 20 L / min (0.5-2 BAR).
- Working temperature range: -12 °C / + 65 °C
- Output voltage: 7,2 Vdc.
- Current: 1500 mA.
- Control of the load ON / OFF maneuver.

MODELS:

Ref. 607095: MICRO-HYDRAULIC TURBINE FOR 3,7 Vdc CHARGING.

Ref. 607097: MICRO-HYDRAULIC TURBINE FOR 7,2 Vdc CHARGING.

VYR-8900

Agro-weather stations



Ref. 890003



Ref. 890015

GENERAL PROPERTIES:

- Control agro-meteorological and soil conditions in all types of agricultural crops: fruits, vegetables, cereals.
- These stations are configured for the integration of agro-meteorological data in our irrigation controllers (HydroPlus & Hydro-Pad).
- The data collected is stored and processed for the creation of conditions I have adjusted the times and types of irrigation depending on bond the weather situation, land, and culture.
- Tele-communications via radio between stations and sensors and wireless, cable, GSM / GPRS or WIFI for readings and remote control.
- Optional display console and programming "Control-Display".
- Frost control.
- Inhibition by alarms: wind, temperature, humidity, etc.

NOTE: Agro-Weather stations are configured for the communication link with developers VYR PG-control equipment and Green-Plus.

Total integration with HydroPlus!



Ref. 890005



Ref. 893282



Ref. 893280



Ref. 893210



Ref. 893200



Ref. 893280



Ref. 890011



Ref. 890012

Sensor and Station Models:

STATIONS MODELS:

- Ref. **890002 AGRO-METEO VP-2**: With internal barometer and sensor temp / hum sensor; outdoor temperature and humidity, vane cup anemometer (12m cable), rocker gauge, 0.2 mm resolution. Wired models include a 30 m cable for connection between console and sensors and wireless models include a transmitter and a receiver for the wireless connection between sensors and console (up to 300m line of sight). The set of sensors are pre-assembled for easy installation. Sensors are optional solar radiation and UV.
- Ref. **893210 AGRO-METEO VP-1**: With internal barometer and temperature sensors. / Hum, temperature and humidity sensor outside, cup anemometer and wind vane, rain gauge spoon, a 0.2 mm resolution; wireless connection between sensor and console (up to 300m line of sight) pre-assembled set of sensors, sensor array pre-assembled for easy installation.
- Ref. **893280 AGRO-METEO QAMPO**: Remote field station (1 km) with temperature sensors and soil moisture. It is optional humidity sensor sheet.
- Ref. **893282 DATA LOGGER QAMPO 2**: GPRS remote field station with 2 inputs for soil temp / hum sensors, leaf moisture sensor, etc ... SOLAR autonomous power supply with rechargeable lithium battery.
- Ref. **893284 DATA LOGGER QAMPO 4**: GPRS remote field station with 4 inputs for soil temp / hum sensors, leaf moisture sensor, etc ... SOLAR autonomous power supply with rechargeable lithium battery.
- Ref. **890011 AGRO-WEATHER CONTROL + DISPLAY**: For storage, transmission, display and control data network or Ethernet connection, data processing software, support for Green-Green-Pad Plus and update data in real-time output IP. It also sends daily reports and e-mails for alarm.
- Ref. **890002 AGRO-WEATHER CONTROL-LINK**: For storage and transmission of data and USB or serial port, data processing software, data support, support for Green-Green-Pad Plus to update data in real time.

SENSOR MODELS:

- Ref. **890002**: SOIL HUMIDITY MOISTURE SENSOR.
- Ref. **890003**: SOIL TEMPERATURE SENSOR.
- Ref. **890004**: LEAF HUMIDITY SENSOR.
- Ref. **890032**: INOX STAND 1m FOR FIELD STATION.
- Ref. **890031**: INOX STAND 2,5 m FOR WEATHER STATIONS.
- Ref. **890005**: SOLAR RADIATION SENSOR (only for VP-2).
- Ref. **890006**: UV SENSOR (only for VP-2).
- Ref. **890007**: TRAY FOT SENSOR ASSEMBLY OF RADIATION & UV.
- Ref. **890008**: KIT PH SENSOR MEASUREMENT.
- Ref. **890009**: SOIL CONDUCTIBITY SENSOR.
- Ref. **890015**: HYDRO-PLUS WEATHER-BRIDGE.
- Ref. **890010**: MODEM GSM/GPRS FOR DATA TRANSMISSION.
- Ref. **890013**: FIELD WIRELESS REPEATER.
- Ref. **890014**: DATALOGER & SOFTWARE FOR REMOTE CONTROL.
- Ref. **890030**: SEALED BOX WITH ELECTRONIC DATA LOGGER XP+SOFTW.
- Ref. **890033**: STORM GUARD.



Ref. 890002



Ref. 890030



Ref. 890013



Ref. 890009



Ref. 890033







Valves



HYDRANT VALVES

- VYR-81-82-83Pg. 150
- VYR-81P-82P-83PPg. 151

MICRO-VALVES

- VYR-6230Pg. 152

SOLENOID VALVES

- VYR-6160 PRECISIONPg. 153
- VYR-6151 HIGH-FLOWPg. 154

HYDRAULIC VALVES AND ACCESSORIES

- VYR-6152 PILASTIC 2" and 3"Pg. 156
- VYR-6154 PLASTIC MODULAR 4"Pg. 158
- VYR-6110 METAL THREADPg. 160
- VYR-6115 METAL SLOTPg. 161

- VYR-6111 METAL BRIDAPg. 162
- VYR-6112 METAL DOUBLE-BODYPg. 163
- VYR-6120 METAL HYDRANTSPg. 167
- FLOW-METERSPg. 170
- ELECTROMAGNETIC FLOW-METERSPg. 172
- ACCESSORIES HYDRAULIC VALVESPg. 174
- PRESSURE GAUGESPg. 175
- SOLENOIDSPg. 176
- HYDRAULIC RELAYPg. 178
- REGULATION PILOTSPg. 179
- HYDRAULIC PILOTSPg. 180
- HYDRAULIC RACORDSPg. 182
- HYDRAULIC ACCESSORIESPg. 183

VYR-81 Hydrants



VYR-81 · QCV Hydrants

GENERAL PROPERTIES:

- Quick Coupling Valves designed for permanent irrigation systems in private gardens, municipal parks and sports facilities.
- Instant opening with the insertion and turning of a bayonet key. When the key is removed, the valve automatically closes.
- Body made of brass, with stainless steel springs and shaft.
- Brass or thermoplastic cover, depending on model.
- These hydrants make water available at all points in the system, providing easily accessible connection points for hoses and sprinklers.
- Ideal for providing supplementary irrigation.
- Maximum flow of up to 16 m³/h.
- Working pressure between 0.2 and 10 BAR
- Pressure loss lower than 0.35 BAR in maximum flows.

APPLICATIONS:

- Private gardens and municipal parks.
- Sports facilities and golf courses.

MEASUREMENTS:

- Height: 10 and 14 cm
- Visible cover width: 8 cm
- Weight: 475 and 830 g
- Units per box: 50 or 30

OPTIONS:

- Complete kit with swivel elbow.

MODELS:

- Ref. 108100: 3/4" FEMALE (brass tap).
- Ref. 108110: 1" FEMALE.
- Ref. 108111: 1" FEMALE COMPATIBLE with R.B.
- Ref. 108112: 1" FEMALE (brass tap).
- Ref. 108200: 1/2" female, 3/4" male thread.
- Ref. 108210: 3/4" female, 1" male thread.
- Ref. 108211: 3/4" female, 1" male thread compatible with R.B.
- Ref. 108300: 3/4" female thread, hose outlet. 20 mm
- Ref. 108301: 3/4" thread, threaded outlet. 3/4" male.
- Ref. 108310: 1" female thread, hose outlet. 25 mm
- Ref. 108311: 1" female thread, 1" male outlet.

VYR-81P Hydrants



VYR-81P · QCV Hydrants

GENERAL PROPERTIES:

- Irrigation outlet designed for permanent irrigation systems in private gardens, municipal parks and sports facilities.
- Instant opening by insertion and turning of a bayonet key. When the key is removed, the valve automatically closes.
- Made of nylon 6.6 and reinforced with fiberglass, with stainless steel spring.
- Thermoplastic cover.
- These hydrants make water available at all points in the system, providing easily accessible connection points for hoses and sprinklers.
- Ideal for providing supplementary irrigation.
- Maximum flow of up to 16 m³/h.
- Working pressure between 0.2 and 10 BAR
- Pressure loss lower than 0.35 BAR in maximum flows.

APPLICATIONS:

- Private gardens and municipal parks.
- Sports facilities and golf courses.

MEASUREMENTS:

- Height: 10 or 14 cm
- Visible cover width: 8 cm
- Weight: 215 g and 275 g
- Units per box: 15 or 10

OPTIONS:

- Complete kit with swivel elbow.

MODELS:

Ref. 108120: Hydrant 3/4" M

Ref. 108130: Hydrant 1" M

Ref. 108220: Bayonet Key-Tool 3/4" M

Ref. 108230: Bayonet Key-Tool 1" M.

Ref. 108125: Saddle 3/4"

Ref. 108126: Saddle 1"

VYR-6230 Micro-Valves



Ref. 623004



Ref. 623001



Filter



Ref. 623005



VYR-6230 MICRO-VÁLVULAS · Solenoid valves

GENERAL PROPERTIES:

- 2-way microvalves.
- 3/4" male thread BSP.
- Normally closed.
- Valve body made of nylon 6.6 with 30% fiberglass.
- Permanently clean because of the built-in steel mesh filter.
- Assembled with screws and stainless steel spring.
- Nitrile diaphragm.
- 24 VAC solenoid.
- Working temperature between 2 and 80 degrees.
- Recommended working pressure of 1 to 10 BAR
- Opening and closing response time of 0.5 seconds.
- Resistance test carried out for 25,000 cycles at 15 BAR and 80 degrees.
- Complies with standard UNE 68-074-86/ISO 7714.

APPLICATIONS:

- Drip irrigation and micro-sprinklers.
- Threaded directly to a sprinkler to create automatic sprinklers with independent opening valve.

MEASUREMENTS:

- Sprinkler height: 5 cm
- Length: 10 cm
- Visible width from the cover: 4 cm
- Weight: 110 g
- Units per box: 10

OPTIONS:

- Valve with 12 VDC solenoid.
- Valve with 9-12 VDC LATCH solenoid.

MODELS:

Ref. 623001: Micro-valv. 24Vac. 3/4"M -10,5 mm

Ref. 623002: Micro-valv 24Vac. 3/4"M -20 mm

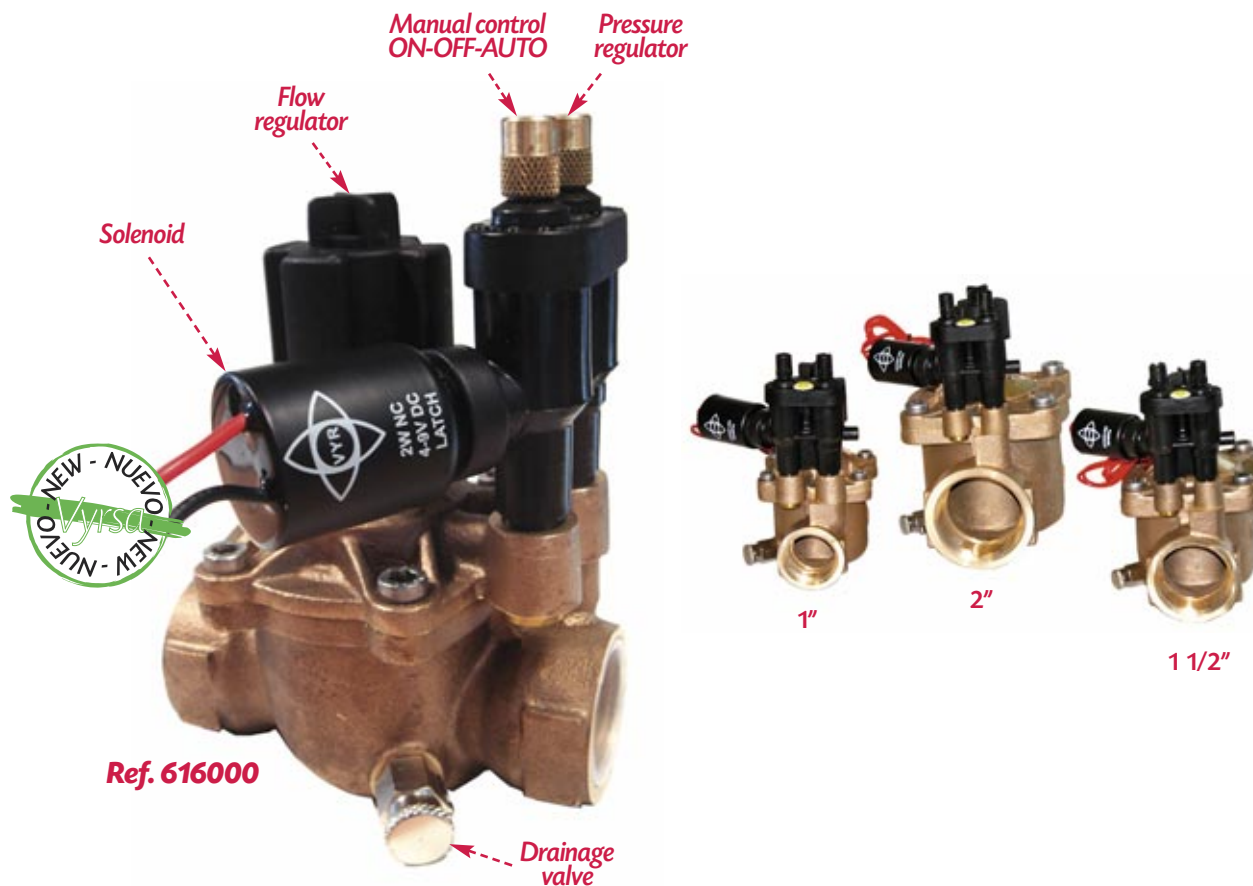
Ref. 623004: Micro-valv HIGH-FLOW 24Vac. 3/4"M -3/4"M

Ref. 623005: Micro-valv.+MANIFOLD 24Vac. 3/4"M - 3/4"M-3/4"H



VYR-6160

Precision Solenoid Valves



Ref. 616000

VYR-6160 BRASS SOLENOID VALVE · Solenoid valves

GENERAL PROPERTIES:

- Valve made of brass and stainless steel. Hi-flow diaphragm and resistant to high pressure.
- Manual Steering Kit with 3-way valve.
- Kit pressure regulator and sustainer control.
- Solenoid valve.
- Flow regulator.
- Clean permanent filter through the steel mesh incorporated.
- Assembled with screws and stainless steel spring.
- Reinforced EPDM diaphragm material.
- Solenoid Series 24 V. ac. (SEE OPTIONS).
- Working temperature between 2 and 80 degrees.
- Recommended working pressure of 1 to 10 BAR
- Opening and closing response of 0.5 s.
- Resistance test performed for 25,000 cycles at 15 BAR and 80 degrees.
- Built-in flow control.
- Flow range between 38 and 240 l/min.
- Removable from the top to the settlement or replacement of parts
- Meet the UNE 68-074-86 / ISO 7714 quality standards.

APPLICATIONS:

- Gardening residential particular.
- Industrial uses for fluid control.
- Drip irrigation and agricultural plants in greenhouses and horticultural facilities.

MEASUREMENTS:

- Height: 14,5 cm, 16 cm & 18 cm
- Length: 10,5 cm, 13 cm & 15,5 cm
- Width visible from top: 7,5 cm, 8,5 cm & 10,5 cm
- Weight: 1540 g (1"), 2400 g (1 1/2") y 3250 g (2")
- Units per box: 10, 4 & 2

OPCIONES:

- Kit de pilotaje manual
- Kit regulador de presión.
- Válvula con solenoide 12 V dc
- Válvula con solenoide 9-12 V dc LATCH

MODELS:

- Ref. 616000: 1" BRASS, SOSTEINER + FLOW REG.
- Ref. 616002: 1 1/2" BRASS, SOSTEINER + FLOW REG.
- Ref. 616012: 2" BRASS, SOSTEINER + FLOW REG.

VYR-6151 HF Valves



VYR-6151 HF VALVES · Solenoid & Hydraulic valves with flow regulator

GENERAL PROPERTIES:

- Two way HIGH-FLOW valves, body design allows full flow.
- 1", 1 1/2", 2" and 3" female thread BSP.
- Kit for manual opening with 1/4" lever turn.
- Valve body made of nylon 6.6 with 30% fiberglass.
- Permanently clean because of the built-in steel mesh filter.
- Assembled with screws, shaft and spring made of stainless steel.
- Body with brass inserts for screws.
- EPDM diaphragms reinforced with fabric.
- 24 VAC solenoid (SEE OPTIONS).
- Working temperature between 2 and 80 degrees.
- Opening and closing response time of 0.5 seconds.
- Resistance test carried out for 25,000 cycles at 15 bar and 0-80° Celsius degrees.
- Built-in flow regulator.
- Flow range between 38 and 240 l/min. (from 13 m3/h to 85 m3/h)
- Removable from the upper section for repair or replacement of parts.
- Recommended working pressure of 1-12 BAR. (15 - 200 PSI). Works at very low flows and pressure (0,6 BAR), ideal for drip irrigation.
- Resistant when operating with wastewater.
- Complies with standard UNE 68-074-86/ISO 7714.

APPLICATIONS:

- Professional landscaping, urban and commercial areas, sports fields, golf courses, residential and private areas.
- Industrial use for fluid control & Water treatment.
- Drip irrigation and agricultural installations in greenhouses and fields.

MEASUREMENTS:

- Height: 39 cm (1"), 29 cm (1 1/2"), 29 cm (2"), y 29 cm (3")
- Length: 39 cm (1"), 29 cm (1 1/2"), 29 cm (2"), y 29 cm (3")
- Width: 39 cm (1"), 29 cm (1 1/2"), 29 cm (2"), y 29 cm (3")
- Weight: 190 g (1"), 190 g (1 1/2"), 190 g (2") y 240 g (3")
- Units per box: 20 (1"), 20 (1 1/2"), 20 (2"), y 20 (3")

MODELS:

- Ref. 615110:** 1" NYLON, SOL-V without flow regulator (PN-10)
- Ref. 615111:** 1" NYLON, SOL-V with flow regulator (PN-10)
- Ref. 615112:** 1 1/2" NYLON, SOL-V with flow regulator (PN-10)
- Ref. 615120:** 2" NYLON, SOL-V with flow regulator (PN-10)
- Ref. 615130:** 3" NYLON, SOL-V with flow regulator (PN-10)
- Ref. 615150:** 1" NYLON, HYDRA. without flow regulator (PN-10)
- Ref. 615151:** 1" NYLON, HYDRA. with flow regulator (PN-10)
- Ref. 615152:** 1 1/2" NYLON, HYDRA. with flow regulator (PN-10)
- Ref. 615170:** 2" NYLON, HYDRA. with flow regulator (PN-10)
- Ref. 615180:** 3" NYLON, HYDRA. with flow regulator (PN-10)

Nozzle Performance

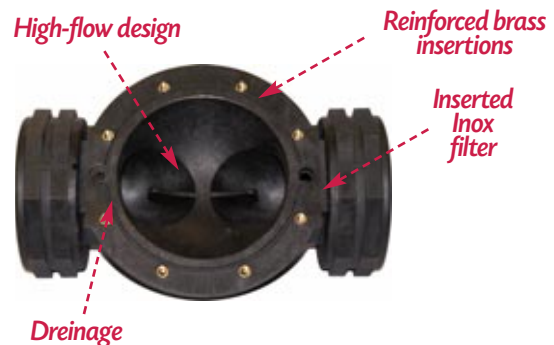
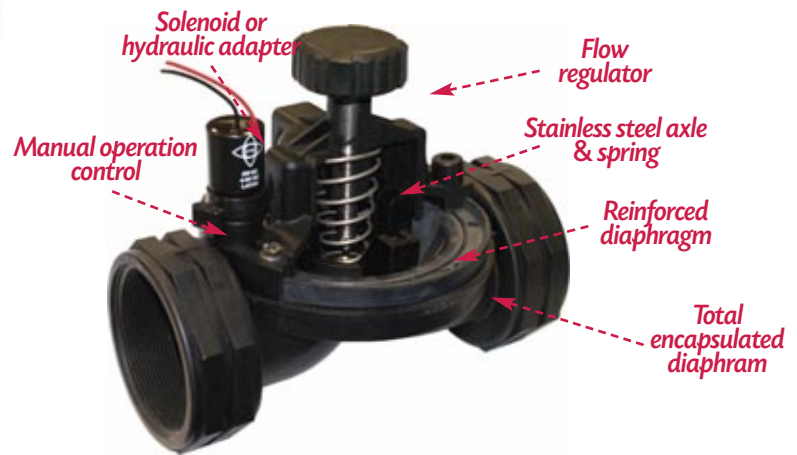
FLOW m ³ /h	2	3	4	5	6	7	8	9	10	12	14	16	20	25	30	40	50	60
1"	0,23	0,24	0,28	0,35	0,46	0,60	0,82	0,97	1,22									
1" 1/2				0,15	0,17	0,18	0,19	0,20	0,21	0,30	0,43	0,55	0,87					
2"									0,16	0,20	0,24	0,29	0,32	0,40	0,50	0,55	0,61	0,78
3"									0,18	0,22	0,27	0,31	0,35	0,43	0,55	0,60	0,65	0,82

SOLENOID-VALVES "VYR Hi-Flow":

The design and quality of the product range offered VYR one of the valves more reliable and robust in the market.

Hi-Flow design provides maximum performance, and with a minimum pressure drop. Furthermore, the internal cavity of the seat of the membrane is self-cleaning, preventing the accumulation of dirt and possible blockage.

The top cover can be injected in lavender color for use with recycled water

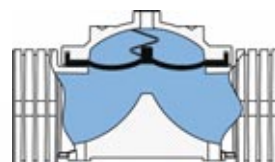
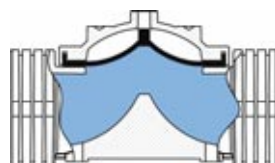
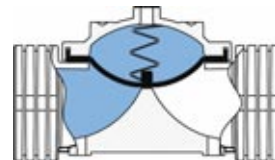


VYR-6152

Hydraulic plastic valves HPV



Ref. 615230



VYR-6152 HYDRAULIC VALVES HPV · Hydraulic Valves

GENERAL PROPERTIES:

- Hydraulic Hi-Resistance Plastic Valves.
- Body and lid made of reinforced nylon 6.6 with 30% glass fiber.
- Reinforced EPDM diaphragm material.
- Clean permanent filter through the brass with steel mesh embedded in any assembly.
- Assembled with screws, shaft and stainless steel spring.
- MOUNTING OPTIONS SEE TABLE "VALVES".
- Working temperature between 2 and 70 degrees.
- Recommended working pressure of 1 to 10 BAR. (15-150 PSI)
- Opening and closing response of 0.7 s.
- Resistance test performed for 25,000 cycles at 15 BAR and 80°
- Flow range of 9 m³/h to 100 m³ h (39,6 - 440 GPM)
- Removable from the top to the settlement or replacement of parts.
- Meet the UNE 68-074-86 / ISO 7714.

APPLICATIONS:

- Agricultural irrigation, sports facilities, golf courses, urban and commercial areas.
- Industrial use for fluid control.
- Drip irrigation and greenhouses.

MEASUREMENTS:

- Height: 14 cm (2"), and 15 cm (3")
- Length: 23 cm (2"), and 24,5 cm (3")
- Width: 14 cm (2"), and 16 cm (3")
- Weight: 1190 g (2") and 1430 g (3")
- Units per box: 4 (2") and 2 (3")

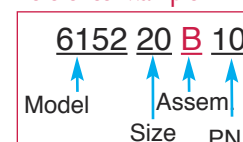
OPTIONS:

- Complete kit with key and elbow.

MODELS:

- Ref. 615220: 2" NYLON, 3 WAY
- Ref. 615230: 3" NYLON, 3 WAY

Reference Example:



DIAPHRAMS:
A: 1-6 BAR (drip)
B: 1,5-10 BAR (sprinkler)

Assembly options VYR-6152



THREAD Ø	A	B	D	E	F	G	H	I	J
	BASIC Ref.	HV+HP Ref.	HV+SO Ref.	HV+HP+SO Ref.	HV+HP+SO+RP Ref.	HV+HP+RP Ref.	HV+SO+RP Ref.	HV+HP+RP+SP Ref.	HV+HP+SO+RP+SP Ref.
2"	615220A	615220B	615220D	615220E	615220F	615220G	615220H	615220I	615220J
3"	615230A	615230B	615230D	615230E	615230F	615230G	H61530H	615230I	615230J

AV: Angle 90° (mark AV after reference).

HV: Hydraulic Valve.

RP: Pressure Regulator Pilot.

HP: Hydraulic accessories

(3 way-valve +records +filter +pipe+ assembl.).

SP: Pressure Sustainer Pilot.

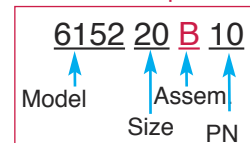
FL: Flow limiter.

FM: Flow Meter (digital output).

SO: Solenoid.

FV: Float valve.

Reference Example:



IMPORTANT NOTE: To define the Nominal Pressure (PN) of the valve mark at the end of the reference -10 for PN-10, and a -06 for a PN-6. In this way the valve will be mounted with the membrane and spring determined for that working pressure. If not defined, PN-10 will be sent as standard.

CONSULT OUR VALVE CATALOG FOR FURTHER TECHNICAL INFORMATION AND MEASURES AVAILABLE.

NOTE: All assembled solenoid valves include the filter installation, metal fittings (plast on demand), microtube and if the solenoid is included, the 24 Vac model will be used. if the voltage is not specified.

VYR-6152 CONNECTIONS & ADAPTERS · Hydraulic valves

GENERAL PROPERTIES:

- Adapters for plastic hydraulic valves.
- Made of PVC and PE.
- Reinforced flanges with metal ring.
- System for PE thermo-sealed.

MODELS:

Ref. 615280: Nipple 2" - VITAULIC

Ref. 615281: Nipple 3" - VITAULIC

Ref. 615252: Nipple 2"

Ref. 615253: Nipple 3"

Ref. 615254: Nipple 4"

Ref. 615260: Nipple 2" for glued PVC Ø 50

Ref. 615261: Nipple 3" for glued PVC Ø 75

Ref. 615270: Adapter 3" M for FLANGE Ø 75

Ref. 615271: Adapter 4" M for FLANGE Ø 100

Ref. 615290: Thread adapter 3" M for PE-THERMO

Ref. 615291: Thread adapter 4" M for PE-THERMO



VYR-6154

Hydraulic Plastic Valves HMPV



BASIC VALVE4"



+ THREAD H



+ FLANGED



+ PVC GLUED



+ SLOTED

VYR-6154 · 4" Modular Hydraulic Valve

GENERAL PROPERTIES:

- Special male thread connection to connect to different types of adapters: flange, thread, groove, glue pvc, PE elect.-fusion.
- High flow linear design.
- Made of polyamide with fiberglass and with additives for the protection of UV radiation.
- Chamber with natural rubber diaphragm reinforced with nylon.
- Stainless steel spring.
- Available in PN-4 and PN-10.

TECHNICAL SPECIFICATIONS:

- Measures: 4" (DN 100)
- Flow: 20 - 170 m³ / h. (88 - 748 GPM)
- Working pressure: 0,5 - 4 BAR or 1 - 10 BAR
7 PSI - 58 PSI or 15 PSI - 145 PSI
- Connections: BSP / NPT thread, ISO / ANSI / BS flange, Slot, PVC glue, PE electro-fusion.

APPLICATIONS:

- Agriculture, gardening and industry with a perfect modular adaptation to collectors of any kind.

OPTIONS:

- Two types of membrane spring low or high pressure according to the needs of the customer (PN-4 or PN-10).
- On demand with ON-OFF-AUTO hydraulic opening, regulating pilots and pressure holders, solenoid, etc.

MODELS:

Ref. 615400: HV 4" PN-4 with BASIC thread.

Ref. 615401: HV 4" PN-4 with FLANGE couplers.

Ref. 615402: HV 4" PN-4 with FEMALE THREAD couplers.

Ref. 615403: HV 4" PN-4 with SLOT couplers.

Ref. 615404: HV 4" PN-4 with PVC GLUE couplers.

Ref. 615405: HV 4" PN-4 with PE ELECT.-WELDING couplers.

Ref. 061541: Flange adapter + Flange 4" (1 piece).

Ref. 061542: Female Thread adapter 4" H (1 piece).

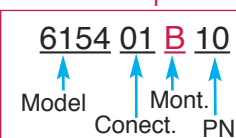
Ref. 061543: Slot adapter 4" (1 piece).

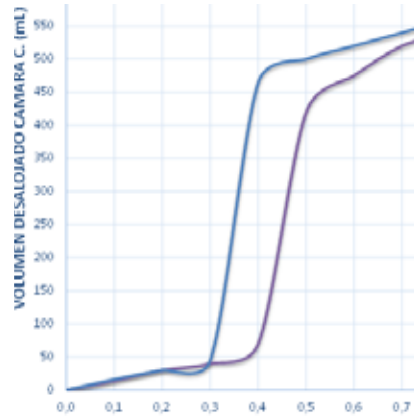
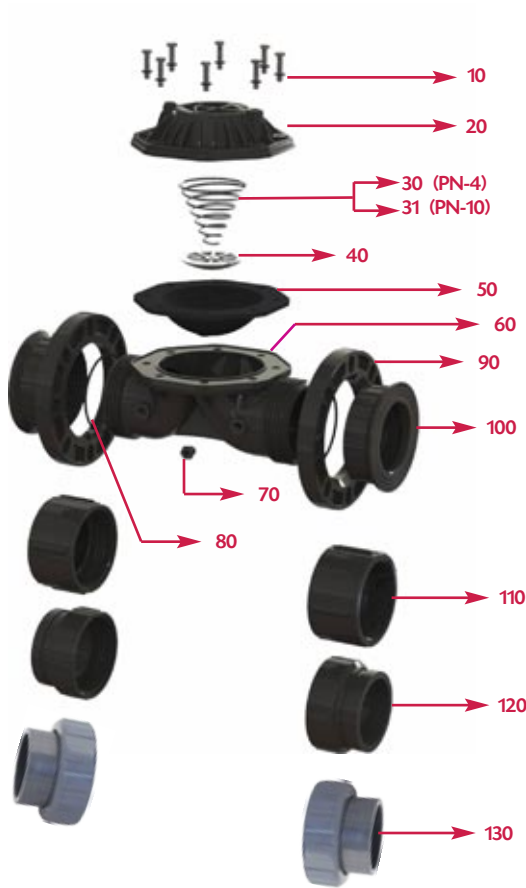
Ref. 061544: PVC adapter for glue 4" (1 piece).

Ref. 061545: Electro-Welding PE 4" (1 piece).

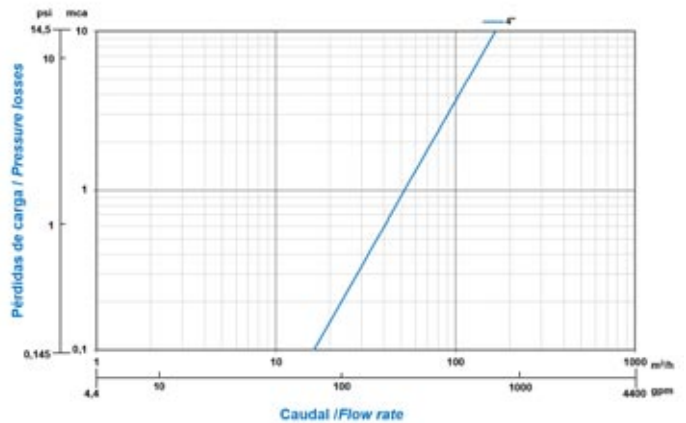
Consult the table of mounting options or contact our sales representatives to configure the valves according to your needs: with solenoid, reducer and/or pressure sustainer, quick relief, manual opening, flow limiting, etc ...

Reference Example:



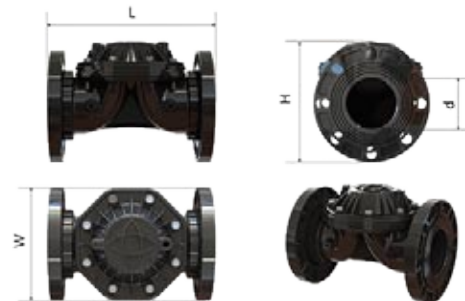


PRESSURE LOST CHART



MEASUREMENTS VYR-6154

CONNECT.	LENGHT (L)		HEIGHT (H)		WIDTH (W)		INT. DIAM. (Ø)		WEIGHT	KV	
	mm	Pulg.	mm	Pulg.	mm	Pulg.	mm	Pulg.		Kg.	m3/H
FLANGE	316	12.4	234	9.2	220	8.7	100	4	4.1	175	770
THREAD	372	14.6	189	7.4	222	8.3	100	4	3.2		
SLOT	372	14.6	189	7.4	222	8.3	100	4	3.2		
PVC	372	372	372	372	372	372	372	372	372		
PE-W	372	372	372	372	372	372	372	372	372		



ASSEMBLY OPTIONS VYR-6154 (PN-10)

CONNECTION	A	B	D	E	F	G	H	I	J
	BASIC	HV+HP	HV+SO	HV+HP+SO	HV+HP+SO+RP	HV+HP+RP	HV+SO+RP	HV+HP+RP+SP	HV+HP+SO+RP+SP
	Ref.	Ref.	Ref.	Ref.	Ref.	Ref.	Ref.	Ref.	Ref.
FLANGE	615401A	615401B	615401D	615401E	615401F	615401G	615401H	615401H	615401J
THREAD	615402A	615402B	615402D	615402E	615402F	615402G	615402H	615402H	615402J
SLOT	615403A	615403B	615403D	615403E	615403F	615403G	615403H	615403H	615403J
PVC	615404A	615404B	615404D	615404E	615404F	615404G	615404H	615404H	615404J
PE-W	615405A	615405B	615405D	615405E	615405F	615405G	615405H	615405H	615405J

AV: Angle 90° (mark AV after reference).

HV: Hydraulic Valve.

RP: Pressure Regulator Pilot.

HP: Hydraulic accessories

(3 way-valve +records +filter +pipe+ assembl).

SP: Pressure Sustainer Pilot.

FL: Flow limiter.

FM: Flow Meter (digital output).

SO: Solenoid.

FV: Float valve.

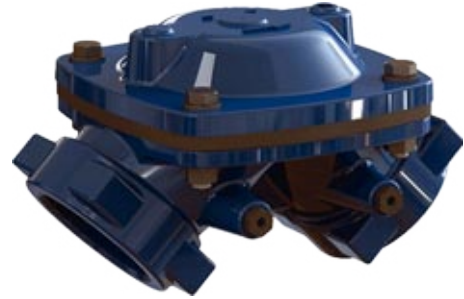
Reference Example:

6154 01 B 10
 ↑ ↑ ↑
 Model Conect. Mont. PN

IMPORTANT NOTE: To define the Nominal Pressure (PN) of the valve mark at the end of the reference **-10 for PN-10**, a **-06** for PN-6 and a **-04 for a PN-4**. In this way the valve will be mounted with the membrane and spring determined for that working pressure. If not defined, PN-6 and metal fittings will be sent as standard.

VYR-6110

Threaded Hydraulic Valves



VYR-6110 · Metal Threaded Hydraulic Valves

GENERAL PROPERTIES:

- Metal hydraulic valves with total flow, with in line or elbow design.
- Body and cap cover made of high quality cast iron.
- EPDM diaphragms reinforced with fabric.
- Always clean because of its brass filter with steel mesh built into all assemblies.
- Assembled with screws and stainless steel spring.
- Working temperature between 2° and 80°
- Recommended working pressure of 1 to 16 BAR (14-230 PSI)
- Opening and closing response time of 0.7 seconds.
- Resistance test carried out for 25,000 cycles at 15 bar and 80°
- Flow range between 15 and 140 m3/H. (66 - 616 GPM).
- Removable from the upper section for repair or replacement of parts.
- Complies with standard UNE 68-074-86/ISO 7714.

MODELS:

- Ref. 6110025: 1"
- Ref. 6110040: 1 1/2"
- Ref. 6110050: 2"
- Ref. 6110050C: 2" elbow
- Ref. 6110063: 2 1/2"
- Ref. 6110063C: 2 1/2" elbow
- Ref. 6110070: 3" (3X2X3)
- Ref. 6110075: 3" (3X3X3)
- Ref. 6110075C: 3" ELBOW (3X3X3)
- Ref. 6110079C: 3" ELBOW (3X4X3)

Configuration options VYR-6110

	Ø	A	B	D	E	F	G	H	I	J
		BASIC Ref.	HV+HP Ref.	HV+SO Ref.	HV+HP+SO Ref.	HV+HP+SO+RP Ref.	HV+HP+RP Ref.	HV+SO+RP Ref.	HV+HP+RP+SP Ref.	HV+HP+SO+RP+SP Ref.
THREAD	1"	6110025A	6110025B	6110025D	6110025E	6110025F	6110025G	6110025H	6110025I	6110025J
	1" 1/2	6110040A	6110040B	6110040D	6110040E	6110040F	6110040G	6110040H	6110040I	6110040J
	2"	6110050A	6110050B	6110050D	6110050E	6110050F	6110050G	6110050H	6110050I	6110050J
	2" C	6110050AC	6110050BC	6110050DC	6110050CE	6110050FC	6110050GC	6110050HC	6110050IC	6110050JC
	2" 1/2	6110063A	6110063B	6110063D	6110063E	6110063F	6110063G	6110063H	6110063I	6110063J
	2" 1/2 C	6110063AC	6110063BC	6110063DC	6110063CE	6110063FC	6110063GC	6110063HC	6110063IC	6110063JC
	3" (3"x2"x3")	6110070A	6110070B	6110070D	6110070E	6110070F	6110070G	6110070H	6110070I	6110070J
	3" (3"x3"x3")	6110075A	6110075B	6110075D	6110075E	6110075F	6110075G	6110075H	6110075I	6110075J
	3" C (3"x3"x3")	6110075AC	6110075BC	6110075DC	6110075CE	6110075FC	6110075GC	6110075HC	6110075IC	6110075JC
	3" C (3"x4"x3")	6110079AC	6110079BC	6110079DC	6110079CE	6110079FC	6110079GC	6110079HC	6110079IC	6110079JC

AV: Angle 90° (mark AV after reference).

HV: Hydraulic Valve.

RP: Pressure Regulator Pilot.

HP: Hydraulic accessories (3 way-valve +racords +filter +pipe+ assembl).

SP: Pressure Sustainer Pilot.

FL: Flow limiter.

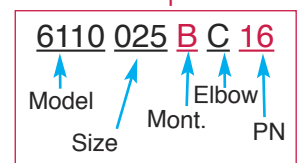
FM: Flow Meter (digital output).

SO: Solenoid.

FV: Float valve.

C: Valv. 90° angle (mark C after the reference).

Reference Example:



IMPORTANT NOTE: To define the Nominal Pressure (PN) of the valve mark at the end of the reference -16 for PN-16 a -06 for PN-6 and a -04 for a PN-4. In this way the valve will be mounted with the membrane and spring determined for that working pressure. If not defined, PN-6 and metal fittings will be sent as standard.

BROWSE OUR VALVE CATALOG FOR MORE TECHNICAL INFORMATION AND MEASURES AVAILABLE

NOTE: All valves includes mounted filter, installation, fittings, micropipe and solenoid of 24 Vac model will be served if not other specified voltage.



VYR-6115

Slotted Hydraulic Valves



VYR-6115 · Metal Slotted Hydraulic Valves

GENERAL PROPERTIES:

- Metal hydraulic valves with total flow, with in line or elbow design.
- Body and cover made of high quality cast iron.
- EPDM diaphragm reinforced with fabric.
- Permanent cleaning thanks to the brass filter with steel mesh incorporated in any assembly.
- Assembled with screws and stainless steel spring.
- Working temperature between 2° and 80°
- Recommended working pressure from 1 to 16 BAR (14-230 PSI)
- Opening and closing response of 0.7 s.
- Resistance test performed for 25,000 cycles at 15 BAR and 80°
- Flow range between 77 and 385 m3/H. (339 - 1.694 GPM).
- Removable from the top for maintenance.
- Comply with the UNE 68-074-86 / ISO 7714 standard.

MODELS:

- Ref. 6115050: DN-50 (2")
- Ref. 6115050C: DN-50 ELBOW (2")
- Ref. 6115080: DN-80 (3")
- Ref. 6115100: DN-100 (4")
- Ref. 6115100C: DN-100 ELBOW (4")
- Ref. 6115150: DN-150 (6")
- Ref. 6115150C: DN-150 ELBOW (6")

Configuration options VYR-6115

	Ø	A	B	D	E	F	G	H	I	J
		BASIC	HV+HP	HV+SO	HV+HP+SO	HV+HP+SO+RP	HV+HP+RP	HV+SO+RP	HV+HP+RP+SP	HV+HP+SO+RP+SP
		Ref.	Ref.	Ref.	Ref.	Ref.	Ref.	Ref.	Ref.	Ref.
SLOTTED	2"	6115050A	6115050B	6115050D	6115050E	6115050F	6115050G	6115050H	6115050I	6115050J
	2" C	6115050AC	6115050BC	6115050DC	6115050EC	6115050FC	6115050GC	6115050HC	6115050IC	6115050JC
	3"	6115080A	6115080B	6115080D	6115080E	6115080F	6115080G	6115080H	6115080I	6115080J
	4"	6115100A	6115100B	6115100D	6115100E	6115100F	6115100G	6115100H	6115100I	6115100J
	4" C	6115100AC	6115100BC	6115100DC	6115100EC	6115100FC	6115100GC	6115100HC	6115100IC	6115100JC
	6"	6115150A	6115150B	6115150D	6115150E	6115150F	6115150G	6115150H	6115150I	6115150J
	6" C	6115150AC	6115150BC	6115150DC	6115150EC	6115150FC	6115150GC	6115150HC	6115150IC	6115150JC

AV: Angle 90° (mark AV after reference).

HV: Hydraulic Valve.

RP: Pressure Regulator Pilot.

HP: Hydraulic accessories

(3 way-valve +racords +filter +pipe+ assembl).

SP: Pressure Sustainer Pilot.

FL: Flow limiter.

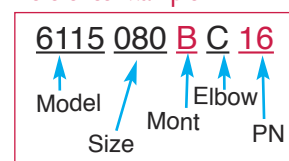
FM: Flow Meter (digital output).

SO: Solenoid.

FV: Float valve.

C: Valv. 90 angle (mark C after the reference).

Reference Example:



IMPORTANT NOTE: To define the Nominal Pressure (PN) of the valve mark at the end of the reference -16 for PN-16, a -06 for PN-6 and a -04 for a PN-4. In this way the valve will be mounted with the membrane and spring determined for that working pressure. If not defined, PN-6 and metal fittings will be sent as standard.

BROWSE OUR VALVE CATALOG FOR MORE TECHNICAL INFORMATION AND MEASURES AVAILABLE

NOTE: All valves includes mounted filter, installation, fittings, micropipe and solenoid of 24 Vac model will be served if not other specified voltage.

VYR-6111

Flanged Hydraulic Valves



VYR-6111 · Metal Flanged Hydraulic Valves

GENERAL PROPERTIES:

- Body and cover made of high quality cast iron.
- EPDM diaphragms reinforced with fabric.
- Always clean because of its brass filter with steel mesh built into all assemblies.
- Assembled with screws and stainless steel spring.
- Working temperature between 2° and 80°
- Recommended working pressure of 1 to 16 BAR (14-230 PSI)
- Opening and closing response time of 0.7 seconds.
- Resistance test carried out for 25,000 cycles at 15 bar and 80°
- Flow range between 78 and 880 m³/H. (343 - 3.872 GPM).
- Removable from the upper section for repair or replacement of parts.
- Complies with quality standard UNE 68-074-86/ISO 7714.

MODELS:

- Ref. 6111050: DN-50
- Ref. 6111080: DN-80 (3"X3"X3")
- Ref. 6114089: DN-80 (3"X4"X3")
- Ref. 6111080C: DN-80 ELBOW
- Ref. 6111100: DN-100
- Ref. 6111100C: DN-100 ELBOW
- Ref. 6111125: DN-125
- Ref. 6111150: DN-150
- Ref. 6111200: DN-200 (8"X8"X8") PN6=8 holes /PN16=12 holes
- Ref. 6111300: DN-300

Configuration options VYR-6111

	Ø	A	B	D	E	F	G	H	I	J
		BASIC	HV+HP	HV+SO	HV+HP+SO	HV+HP+SO+RP	HV+HP+RP	HV+SO+RP	HV+HP+RP+SP	HV+HP+SO+RP+SP
		Ref.	Ref.	Ref.	Ref.	Ref.	Ref.	Ref.	Ref.	Ref.
FLANGED	DN50 (2")	6111050A	6111050B	6111050D	6111050E	6111050F	6111050G	6111050H	6111050I	6111050J
	DN80 (3")	6111080A	6111080B	6111080D	6111080E	6111080F	6111080G	6111080H	6111080I	6111080J
	DN80-C (3")	6111080AC	6111080BC	6111080DC	6111080EC	6111080FC	6111080GC	6111080HC	6111080IC	6111080JC
	DN100 (4")	6111100A	6111100B	6111100D	6111100E	6111100F	6111100G	6111100H	6111100I	6111100J
	DN100-C (4")	6111100AC	6111100BC	6111100DC	6111100EC	6111100FC	6111100GC	6111100HC	6111100IC	6111100JC
	DN125 (5")	6111125A	6111125B	6111125D	6111125E	6111125F	6111125G	6111125H	6111125I	6111125J
	DN-150 (6")	6111150A	6111150B	6111150D	6111150E	6111150F	6111150G	6111150H	6111150I	6111150J
	DN200 (8"x8"x8")	6111200A	6111200B	6111200D	6111200E	6111200F	6111200G	6111200H	6111200I	6111200J
	DN300 (12")	6111300A	6111300B	6111300D	6111300E	6111300F	6111300G	6111300H	6111300I	6111300J

AV: Angle 90° (mark AV after reference).

HV: Hydraulic Valve.

RP: Pressure Regulator Pilot.

HP: Hydraulic accessories

(3 way-valve +records +filter +pipe+ assembl).

SP: Pressure Sustainer Pilot.

FL: Flow limiter.

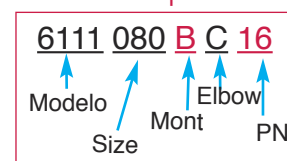
FM: Flow Meter (digital output).

SO: Solenoid.

FV: Float valve.

C: Valv. 90 angle (mark C after the reference).

Reference Example:



IMPORTANT NOTE: To define the Nominal Pressure (PN) of the valve mark at the end of the reference -16 for PN-16, a -06 for PN-6 and a -04 for a PN-4. In this way the valve will be mounted with the membrane and spring determined for that working pressure. If not defined, PN-6 and metal fittings will be sent as standard.

BROWSE OUR VALVE CATALOG FOR MORE TECHNICAL INFORMATION AND MEASURES AVAILABLE

NOTE: All valves includes mounted filter, installation, fittings, micropipe and solenoid of 24 Vac model will be served if not other specified voltage.



VYR-6112 DB

Double Body Hydraulic Valves



VYR-6112 · Double Body Metal Hydraulic Valves

GENERAL PROPERTIES:

- Metal hydraulic valves with total flow, in line and in elbow design.
- Double Body and 2 tap covers made of high quality cast iron.
- EPDM diaphragm reinforced with fabric.
- Permanent cleaning thanks to the brass filter with steel mesh incorporated in any assembly.
- Assembled with screws and stainless steel spring.
- Working temperature between 2° and 80°
- Recommended working pressure from 1 to 16 BAR (14-230 PSI)
- Opening and closing response of 0.7 s.

- Resistance test performed for 25,000 cycles at 15 BAR and 80°
- Flow range between 85 and 965 m3/H. (374 - 4.246 GPM).
- Removable from the top for maintenance.
- Comply with the UNE 68-074-86 / ISO 7714 standard.

MODELS:

- Ref. 6112125: DN-125 DOUBLE BODY
- Ref. 6112250: DN-250 DOUBLE BODY

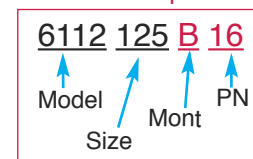
Configuration options VYR-6112 DB

		A	B	D	E	F	G	H	I	J
	Ø	BASIC	HV+HP	HV+SO	HV+HP+SO	HV+HP+SO+RP	HV+HP+RP	HV+SO+RP	HV+HP+RP+SP	HV+HP+SO+RP+SP
		Ref.	Ref.	Ref.	Ref.	Ref.	Ref.	Ref.	Ref.	Ref.
FLANGED Double Body	DN125-DB (5")	6112125A	6112125B	6112125D	6112125E	6112125F	6112125G	6112125H	6112125I	6112125J
	DN250-DB (10")	6112250A	6112250B	6112250D	6112250E	6112250F	6112250G	6112250H	6112250I	6112250J

- HV:** Hydraulic Valve.
- RP:** Pressure Regulator Pilot.
- HP:** Hydraulic Pilot (3-way valve + racord + filter + tube).
- SP:** Pilot Pressure Holder.

- FL:** Flow Limiter Disk.
- FM:** Flowmeter Counter Heart Rate Monitor.
- SO:** Solenoid.
- FV:** Float Valve.

Reference Example



IMPORTANT NOTE: To define the Nominal Pressure (PN) of the valve mark at the end of the reference -16 for PN-16, a -06 for PN-6 and a -04 for a PN-4. In this way the valve will be mounted with the membrane and spring determined for that working pressure. If not defined, PN-6 and metal fittings will be sent as standard.

BROWSE OUR VALVE CATALOG FOR MORE TECHNICAL INFORMATION AND MEASURES AVAILABLE

NOTE: All valves includes mounted filter, installation, fittings, micropipe and solenoid of 24 Vac model will be served if not other specified voltage.

Other assembly options...

B



Manual Valve ON/OFF

G



Press. Reducc. Valve

H



Press. Reducc. Valve w/sol

K



Press. Sustain. Valve

J



Press. Reducc. + Sustain Val. + Sol.

L



Flow Limit. Valve

P



Level Control Valve

M

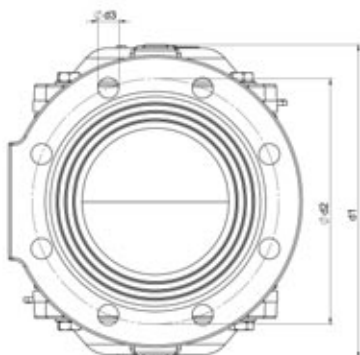


Sol- Valve ON/OFF w/Sol. + Relay

V



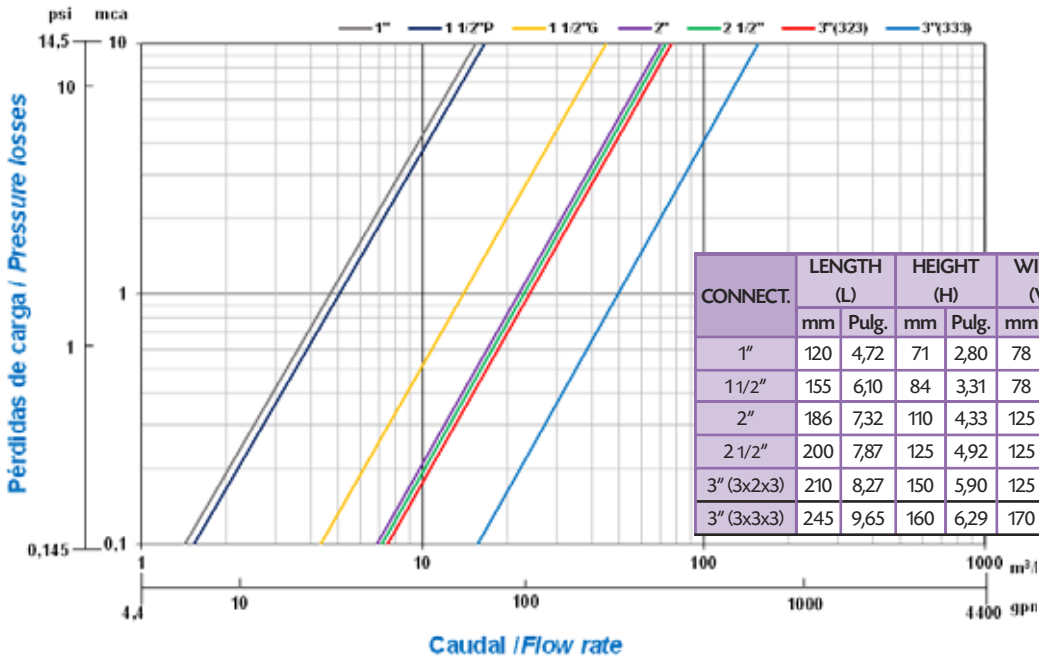
Press. Relieve Valve



FLANGE DIMENSIONS ISO 7005-2

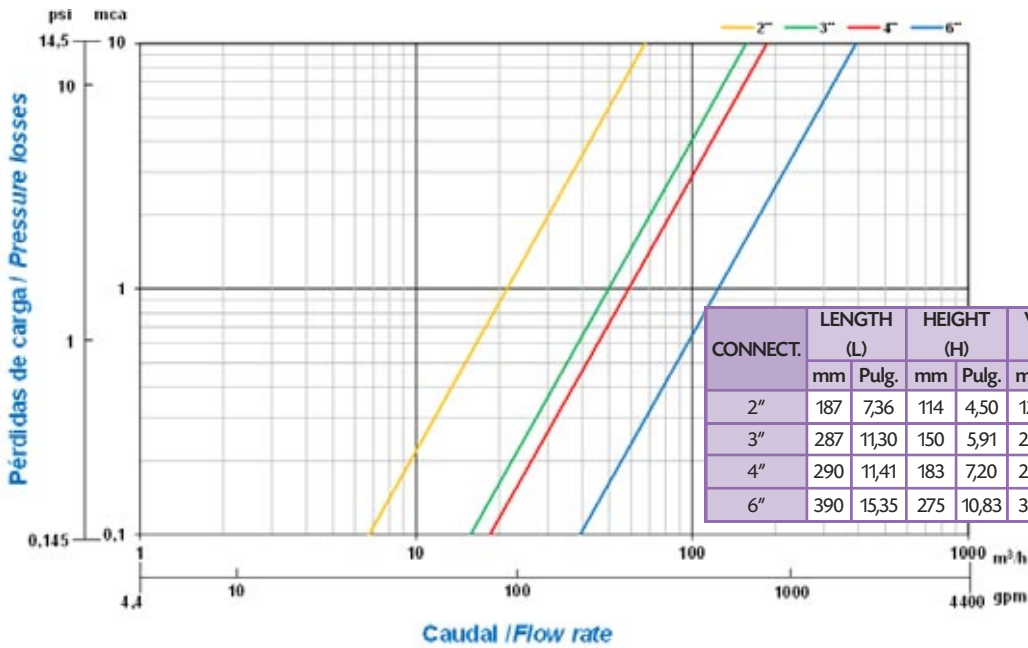
CONNECTION	Flange Diameter		Diameter from center of holes (d2)		Diameter of holes (d3)		CONNECTION	HOLES
	mm	Pulg.	mm	Pulg.	mm	Pulg.		
DN-50 (2")	165	6,50	125	4,92	19	0,75	FLANGE ISO 7005-2	8
DN-80 (3")	200	7,87	160	6,30	18	0,71		8
DN-100 (4")	220	8,66	180	7,08	18	0,71		8
DN-125 (5")	250	9,84	210	8,27	18	0,71		8
DN-150 (6")	285	11,22	240	9,45	22	0,87		8
DN-200 (8")	340	13,85	295	11,61	22	0,87		8 / 12
DN-250 (10")	405	15,94	355	13,98	25	0,98		12

THREAD IN-LINE



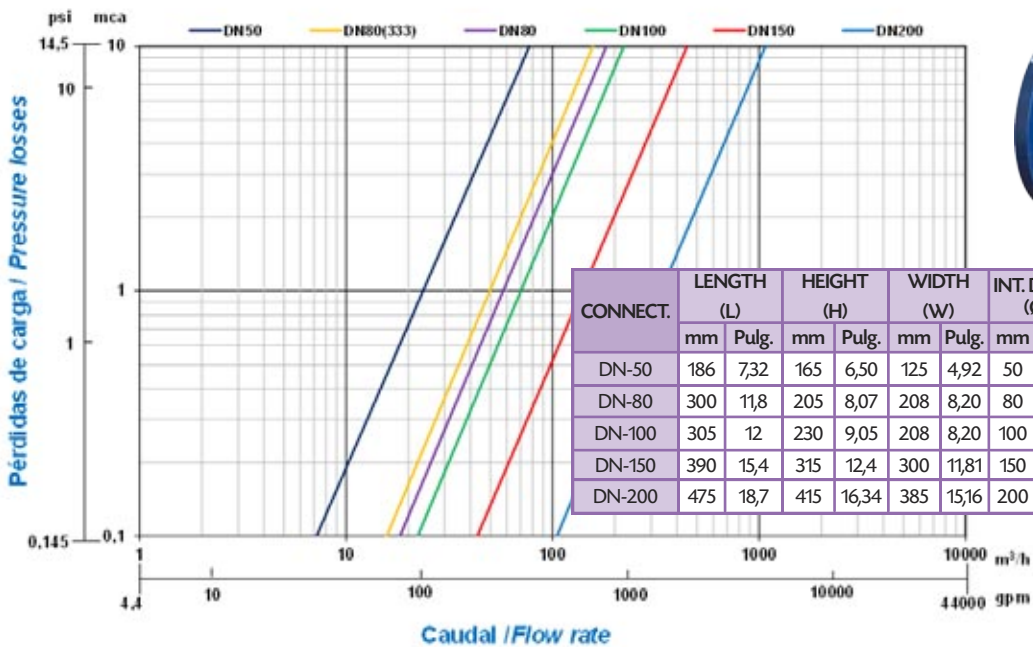
CONNECT.	LENGTH (L)		HEIGHT (H)		WIDTH (W)		INT. DIAM. (Ø)		WEIGHT (Kg.)	KV	
	mm	Pulg.	mm	Pulg.	mm	Pulg.	mm	Pulg.		m ³ /H	GPM.
1"	120	4,72	71	2,80	78	3,07	..	1"	1,2	16	70,5
1 1/2"	155	6,10	84	3,31	78	3,07	..	1 1/2"	1,6	17	74,9
2"	186	7,32	110	4,33	125	4,92	..	2"	4,4	73	321,4
2 1/2"	200	7,87	125	4,92	125	4,92	..	2 1/2"	5,5	76	334,6
3" (3x2x3)	210	8,27	150	5,90	125	4,92	..	3"	6,3	73	321,5
3" (3x3x3)	245	9,65	160	6,29	170	6,36	..	3"	9,8	140	616

SLOT IN-LINE



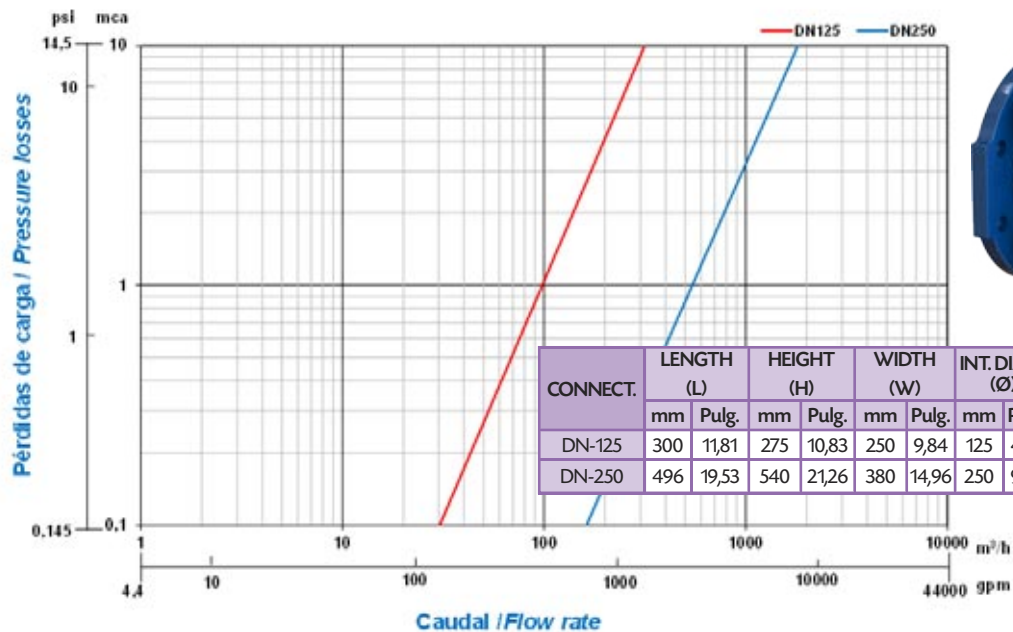
CONNECT.	LENGTH (L)		HEIGHT (H)		WIDTH (W)		INT. DIAM. (Ø)		WEIGHT (Kg.)	KV	
	mm	Pulg.	mm	Pulg.	mm	Pulg.	mm	Pulg.		m ³ /H	GPM.
2"	187	7,36	114	4,50	125	4,92	44,2	1,74	3,8	77	339
3"	287	11,30	150	5,91	218	8,58	72,5	2,85	12,3	157	691
4"	290	11,41	183	7,20	218	8,58	97	3,82	13,1	206	906
6"	390	15,35	275	10,83	310	12,20	145	5,71	40,9	385	1694

FLANGE IN-LINE

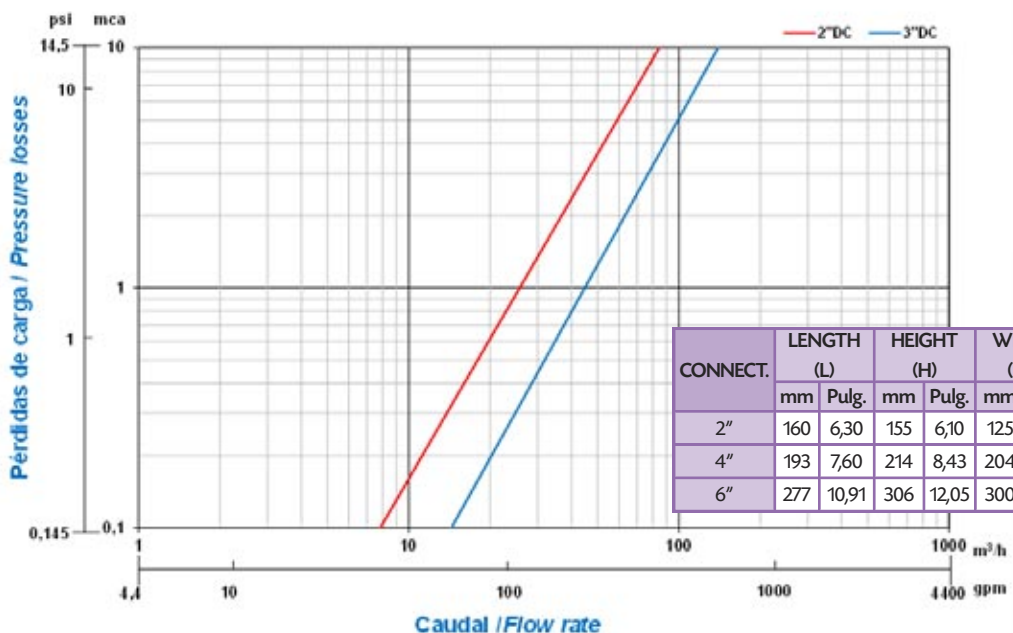


CONNECT.	LENGTH (L)		HEIGHT (H)		WIDTH (W)		INT. DIAM. (Ø)		WEIGHT (Kg.)	KV		HOLES
	mm	Pulg.	mm	Pulg.	mm	Pulg.	mm	Pulg.		m ³ /H	GPM.	
DN-50	186	7,32	165	6,50	125	4,92	50	1,96	7,6	78	343	4
DN-80	300	11,8	205	8,07	208	8,20	80	3,15	20,2	203	894	8
DN-100	305	12	230	9,05	208	8,20	100	3,94	21,8	217	955	8
DN-150	390	15,4	315	12,4	300	11,81	150	5,91	53,7	447	1967	8
DN-200	475	18,7	415	16,34	385	15,16	200	7,87	84,4	880	3872	8 / 12

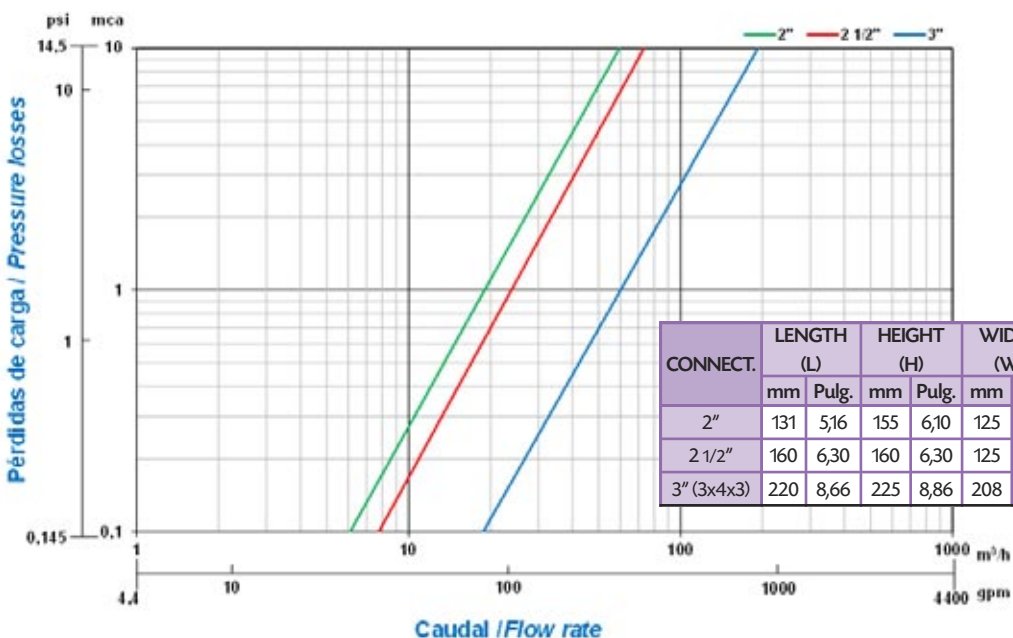
FLANGE DOUBLE-BODY



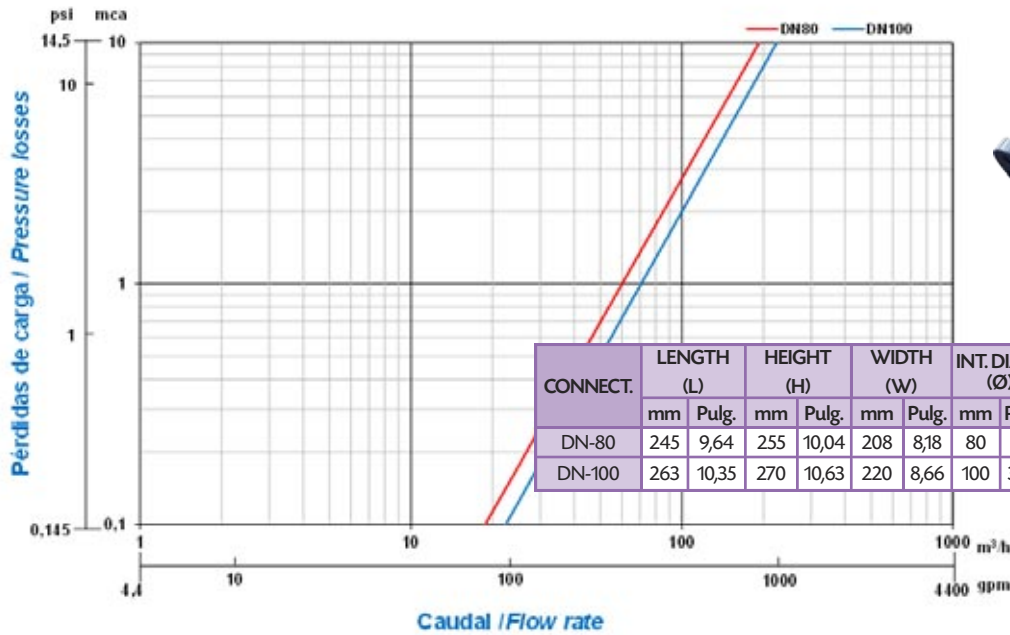
SLOT ANGLE 90°



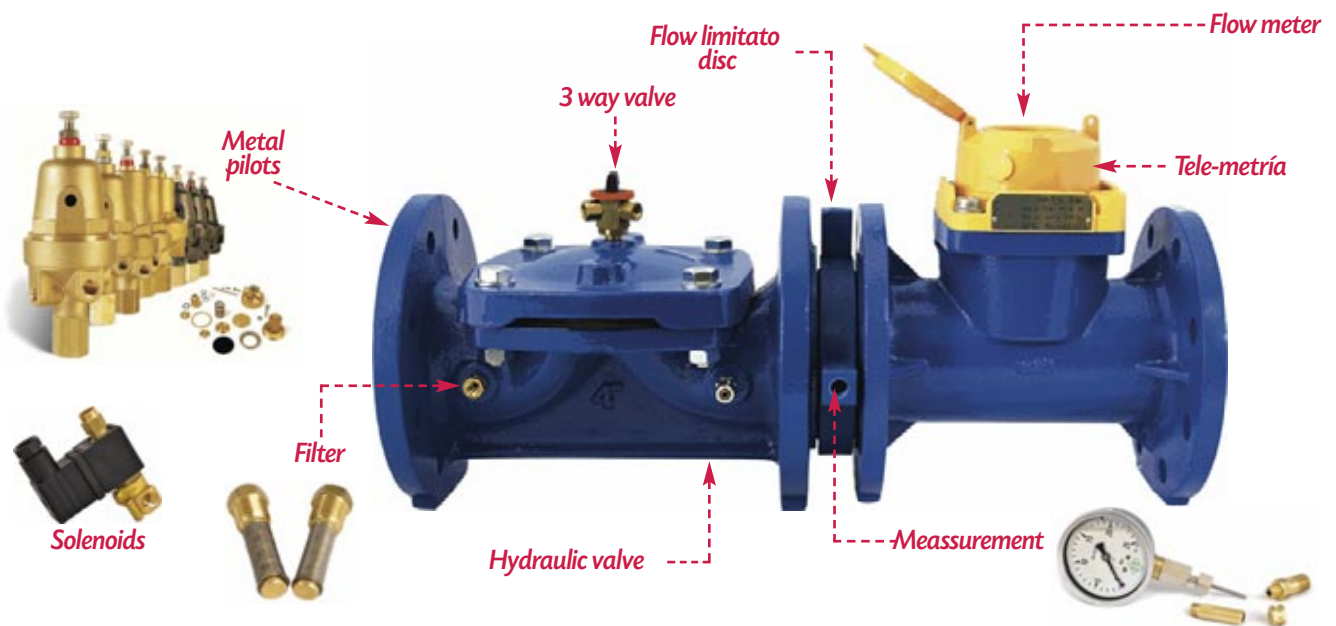
THREAD ANGLE 90°



FLANGE ANGLE 90°



VYR-6120 Hydrants



VYR-6120 HYDRANTS · Hydraulic Valves with Flow Meter and Piloting

GENERAL PROPERTIES:

- Metal hydraulic valves + Flow meter for full flow through elbows and straight sections.
- Body and cover made of high quality cast iron.
- EPDM diaphragms reinforced with fabric.
- Always clean because of its brass filter with steel mesh built into all assemblies.
- Assembled with screws and stainless steel spring.
- Working temperature between 2° and 80°
- Recommended working pressure of 1 to 16 BAR
- Opening and closing response time of 0.7 seconds.

- Resistance test carried out for 25000 cycles at 15 BAR and 80°
- Flow range between 38 and 240 l/min.
- Removable from the upper section for repair or replacement of parts.
- Complies with quality standard UNE 68-074-86/ISO 7714.

APPLICATIONS:

- Agricultural irrigation, sport installations, urban installations.
- Industrial use for fluid control
- Drip irrigation.

Assembly Options VYR-6120

	Ø	A	B	D	E	F	G	H	I
		HV+HP+CN Ref.	HV+RP+HP+CN Ref.	HV+RP+HP+ST+CN Ref.	HV+RP+HP+ST+FL+CN Ref.	HV+RP+HP+FL+CN+SO Ref.	HV+RP+HP+SP+FL+CN+SO Ref.	HV+HP+RP+CN+FL+SP Ref.	HV+HP+SO+CN+FL+RP+SP Ref.
THREAD	2"	612011	612012	612013	612014	612015	612016	612017	612018
	2" 1/2	612021	612022	612023	612024	612025	612026	612027	612028
	3" (3x3x3)	612031	612032	612033	612034	612035	612036	612037	612038

	Ø	A	B	D	E	F	G	H	I
		HV+HP+CN Ref.	HV+RP+HP+CN Ref.	HV+RP+HP+ST+CN Ref.	HV+RP+HP+ST+FL+CN Ref.	HV+RP+HP+FL+CN+SO Ref.	HV+RP+HP+SP+FL+CN+SO Ref.	HV+HP+RP+CN+FL+SP Ref.	HV+HP+SO+CN+FL+RP+SP Ref.
SLOTTED	3" (3x3x3)	612131	612132	612133	612134	612135	612136	612137	612138
	4" (4x4x4)	612141	612142	612143	612144	612145	612146	612147	612148
	6" (6x6x6)	612161	612162	612163	612164	612165	612166	612167	612168

	Ø	A	B	D	E	F	G	H	I
		HV+HP+CN Ref.	HV+RP+HP+CN Ref.	HV+RP+HP+ST+CN Ref.	HV+RP+HP+ST+FL+CN Ref.	HV+RP+HP+FL+CN+SO Ref.	HV+RP+HP+SP+FL+CN+SO Ref.	HV+HP+RP+CN+FL+SP Ref.	HV+HP+SO+CN+FL+RP+SP Ref.
FLANGED	DN-50 2"	612211	612212	612213	612014	612015	612016	612017	612018
	DN-63 2" 1/2	612221	612222	612223	612024	612025	612026	612027	612028
	DN-75 (3x3x3)	612231	612232	612233	612034	612035	612036	612037	612038
	DN-75 (3x3x3)	612231	612232	612233	612134	612135	612136	612137	612138
	DN-100 (4x4x4)	612241	612242	612243	612144	612145	612146	612147	612148
	DN-150 (6x6x6)	612261	612262	612263	612164	612165	612166	612167	612168
	DN-200 (8x8x8)	612281	612282	612283	612184	612185	612186	612187	612188

	Ø	A	B	D	E	F	G	H	I
		HV+HP+CN Ref.	HV+RP+HP+CN Ref.	HV+RP+HP+ST+CN Ref.	HV+RP+HP+ST+FL+CN Ref.	HV+RP+HP+FL+CN+SO Ref.	HV+RP+HP+SP+FL+CN+SO Ref.	HV+HP+RP+CN+FL+SP Ref.	HV+HP+SO+CN+FL+RP+SP Ref.
FLANGED DOUBLE BODY	DN-125 DB	612051	612052	612053	612054	612055	612056	612057	612058
	DN-250 DB	612101	612102	612103	612104	612105	612106	612107	612108

AV: Angle 90° (mark AV after reference).

HV: Hydraulic Valve.

RP: Pressure Regulator Pilot.

HP: Hydraulic accessories

(3 way-valve +racords +filter +pipe+ assembl).

SP: Pressure Sustainer Pilot.

FL: Flow limiter.

FM: Flow Meter (digital output).

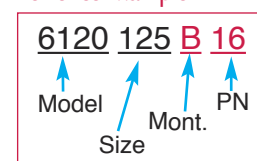
SO: Solenoid.

FV: Float valve.

C: Valv. 90° angle (mark C after the reference).

CN: Flow-meter (Woltman).

Reference Example:



IMPORTANT NOTE: To define the Nominal Pressure (PN) of the valve mark at the end of the reference **-16 for PN-16**, a -06 for PN-6 and a **-04 for a PN-4**. In this way the valve will be mounted with the membrane and spring determined for that working pressure. If not defined, PN-6 and metal fittings will be sent as standard.

BROWSE OUR VALVE CATALOG FOR MORE TECHNICAL INFORMATION AND MEASURES AVAILABLE

NOTE: All valves includes mounted filter; installation, fittings, micropipe and solenoid of 24 Vac model will be served if not other specified voltage.

VYR-6120 HYDRANTS

(HYDRAULIC VALVES + FLOW-METERS)

HYDRANTS:

VYR hydrants are made of 3 basic elements:

- A multi-jet meter (TANGENTIAL) or turbine Wolt-Mann type approved for \varnothing from 1/2" to 20".
- A hydraulic valve membrane.
- Bronze or plastic pilots for pressure regulation and sustainer.

Hydrants VYR add the experience and technology VYR S.A. in the water handling.

It can perform functions such as open, close, regulation of pressure, limiting flow rates, etc.

FUNCTIONS:

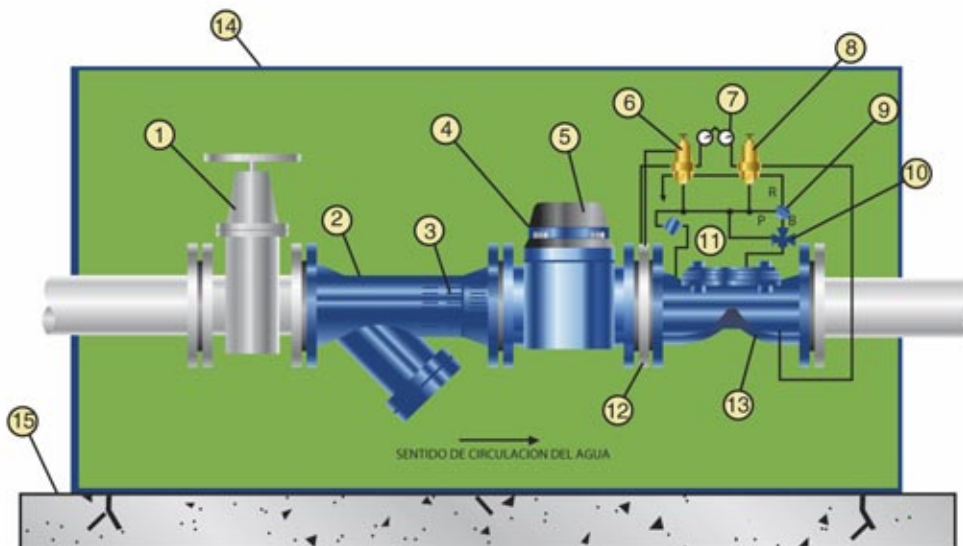
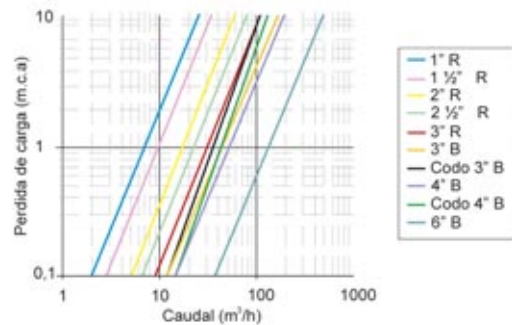
Regardless of total circulating water flow, fire hydrants may exercise:

1. Hydraulic control valve. (with val. 3 way with or without solen.)
2. Pressure reducing downstream.
3. Pressure sustaining valve downstream.
4. Flow control.
5. Excess flow.
6. Pump control valve.
7. Upstream pressure Holder with or without solenoid.
8. Level float valve.
9. Anti-drain valve.
10. Valve.
10. Quick release valve.

It allows the combination of all these functions.

All these actions are possible due to equipment that VYR SA provides a wide range of hydraulic pilot control which uses the different pressures on the network and the mechanical control imposed.

Hydrants	Nominals Flows
1/2"	1,5 m ³ /h
3/4"	2,5 m ³ /h
1"	3,5 m ³ /h
1 1/4"	5 m ³ /h
1 1/2"	10 m ³ /h
2"	25 m ³ /h
3"	60 m ³ /h
4"	100 m ³ /h
6"	250 m ³ /h
8"	400 m ³ /h
10"	600 m ³ /h
12"	1.000 m ³ /h



- 1 Gate valve
- 2 Filter
- 3 Flow Limiter
- 4 Pulse emitter
- 5 Wotman flow meter
- 6 Limitator Pilot
- 7 Pressure gauge
- 8 Reducer Pilot
- 9 Latch solenoid
- 10 3 way manual valve
- 11 External filter
- 12 Orifice Disc
- 13 Hydraulic valve
- 14 Valve Box Cover
- 15 Valve Box Body

Flow meters

CH-100



FLOW METERS CH100-500/1000/5000 · Hydraulic flow meters

GENERAL PROPERTIES:

VYR S.A. flowmeters are classified in three groups:

- The flow-meters for irrigation **CH100-500** series belong to the type of **turnstile** counters. Its operation is based on the movement of the reel caused by the pressure of the water passing through the meter. This movement is transmitted to the register, using a magnetic coupling, thereby performing reading.
- The **CH1000** is designed for measuring high flow mainly cold water for irrigation applications. Its accuracy is higher than the 500 and 1000 class both horizontally and vertically. The basis of operation is the turn of a **WOLTMAN** helix in the flow direction. There is a proportion between the angular velocity of rotation and which drives the propeller flow.
- The **CH5000** flow-meter is a hybrid (electronic sphere) designed for measuring large volumes of cold water for commercial and industrial applications. It has a high precision metrological class according to EN 14154, with a R800 (standard version) in production. The basis of operation is the turn of a helix woltmann in the flow direction. There is a proportion between the angular velocity of rotation and which drives the propeller flow.

TANGENTIALS / MULTIPLE STREAM:

- Ref. 640099: Flow-meter 1/2" Q. max: 3 m³/h
- Ref. 640100: Flow-meter 3/4" Q. max: 5 m³/h
- Ref. 640101: Flow-meter 1" Q. max: 7 m³/h
- Ref. 640102: Flow-meter 2" Q. max: 30 m³/h
- Ref. 640103: Flow-meter 3" Q. max: 80 m³/h
- Ref. 640104: Flow-meter 4" Q. max: 120 m³/h
- Ref. 640105: Flow-meter 5" Q. max: 120 m³/h
- Ref. 640106: Flow-meter 6" Q. max: 300 m³/h
- Ref. 640108: Flow-meter 8" Q. max: 500 m³/h
- Ref. 640109: Flow-meter 10" Q. max: 800 m³/h

WOLTMAN:

- Ref. 640202: Flow-meter 2" Q. max: 30 m³/h
- Ref. 640203: Flow-meter 3" Q. max: 80 m³/h
- Ref. 640204: Flow-meter 4" Q. max: 120 m³/h
- Ref. 640205: Flow-meter 5" Q. max: 120 m³/h
- Ref. 640206: Flow-meter 6" Q. max: 300 m³/h
- Ref. 640208: Flow-meter 8" Q. max: 500 m³/h
- Ref. 640210: Flow-meter 10" Q. max: 800 m³/h

Ref. 640110: Pulse meter kit.

Ref. 640111: Pulse meter reader device.

CH-500 FLOW-METERS

Hydraulic flow meters

GENERAL PROPERTIES:

- **TANGENTIAL** Flow-meter
- Body made of cast iron GG25 counter, lined plastic resin spray.
- Degree of protection IP67.
- Internal mechanisms made of engineering plastics in combination with 18/8 stainless steel for metal parts.
- Mechanism fully removable from the meter body measurement.
- Totalizer dry polycarbonate.
- Pre-equipped for pulse generators.
- Connections flanged to PN16 (ISO 7005).

MODELS:

- Ref. 670502: Flow-meter 2"
- Ref. 670503: Flow-meter 3"
- Ref. 670504: Flow-meter 4"
- Ref. 670506: Flow-meter 6"
- Ref. 670525: Pulse electronic adapter.



CH-1000 FLOW-METERS

Hydraulic flow meters

GENERAL PROPERTIES:

- **WOLTMAN** Flow-meter. Optional inductive pulse rate monitor.
- Body cast resin coated to prevent oxidation.
- Plastic Sphere with 360° rotation for easy reading.
- Pre-installation for bidirectional pulse emitter.
- Range of sizes from 40 to 300 mm
- PN16 flanged connections.
- For use with cold water (maximum 50°C).



MODELS:

- Ref. 671002: Flow-meter 2"
- Ref. 671003: Flow-meter 3"
- Ref. 671004: Flow-meter 4"
- Ref. 671006: Flow-meter 6"
- Ref. 671008: Flow-meter 8"
- Ref. 671010: Flow-meter 10"
- Ref. 671025: Pulse electronic adapter.



CH-5000 FLOW-METERS

Hydraulic flow meters

GENERAL PROPERTIES:

- Digital Flow-meter **WOLTMAN** with instant measurement.
- Integrated Pulse Output.
- Body made of cast iron.
- High degree of protection IP68 moisture and damage.
- Inductive transmission. Adjustable dry dial 360°
- 7 digit totalizer m³. Integrated output pulses.
- Provides statistical parameters, consumption data UNE version. Flanges according to ISO7005.
- For use with cold water.

MODELS:

- Ref. 675002: Flow-meter 2" with integrated pulse wire.
- Ref. 675003: Flow-meter 3" with integrated pulse wire.
- Ref. 675004: Flow-meter 4" with integrated pulse wire.
- Ref. 675006: Flow-meter 6" cwith integrated pulse wire.



Electro-Magnetic Flow Meter

EM-700



FLOW METER EM-700 · Electro-Magnetic Flow Meters

GENERAL PROPERTIES:

- The EM-700 electromagnetic flow meter with ABS body, together with the M500 flow transmitters, is ideal for accurately measuring the flow rate of a wide variety of conductive process liquids, including water, wastewater, effluents and selected chemical applications.
- The electromagnetic flowmeter EM-700 can be paired with solar or 240 VAC electronics, including the I500 and the M500.
- Uses the certified electromagnetic measurement method.
- Typical flow accuracy better than $\pm 0.5\%$ of indicated flow.
- No moving parts.
- Speed Range 0.1 to 10 meters / second.
- Wide range of operation.
- There is no obstruction to flow.
- Insignificant pressure loss.
- Reel or flange construction types.
- Robust construction
- Submersible to 1.5 meters of water.
- Suitable for buried service.
- Minimum requirements for straight pipe installation.
- Remote mounted electronics.
- The EM-700 has been designed for the measurement of large flows of cold water mainly for irrigation applications. Its accuracy is superior to the class 5000, both horizontally and vertically. The basis of operation is the measurement of water velocity by electro-magnetic diodes.

TECH CHARACTERISTICS M-500 :

- Uses the well proven electromagnetic measurement method.
- Improved diagnostic and alarm functions.
- Removable SD card that allows the update of the transmitter.
- Large multi-line LCD screen.
- User-configurable logging interval for flow data and diagnostic tables.
- Optional 4-20mA output.
- Digital frequency configurable by the user and pulse outputs.
- Multipoint multipoint MODBUS support.
- 3x expansion slots that allow additional IO.

- Serial support for modems, RTUs and PLCs.
- Ability to "read flow now" in real time for door control functions.
- Ability to calibrate and operate flow tubes up to 1000 mm in diameter.
- Membrane keyboard without moving parts.
- Cable entry through IP68 cable gland without moving parts.
- Designed for outdoor environments.
- Individually shielded signal cable with external shielding.
- Flow rate range: 0.01 to 10 m / sec ($\pm 0.005\%$)
- Accuracy: Better than $\pm 0.05\%$ of the indicated flow, or ± 1 mm / s.
- Full scale flow: programmable.
- Low flow cutoff: programmable from 0 to 10% of the flow.
- Totalized channels: Total volumetric flow: Forward, Reverse, Peak / Out of peak, Year to date.
- Totalizing units: Liters, Kiloliters, Megalitros, Gigalitros, Imperial and American gallons, imperial mega gallons and others.
- Conversion factor of the programmable unit by the user
- Flow time units: seconds, hours, days

MODELS EM-700 / M-500:

- Ref. 647050: Flow-Meter DN-50 Q. máx: 72 m³/h (PN-16)
- Ref. 647075: Flow-Meter DN-75 Q. máx: 180 m³/h (PN-12)
- Ref. 647100: Flow-Meter DN-100 Q. máx: 280 m³/h (PN-12)
- Ref. 647125: Flow-Meter DN-125 Q. máx: 450 m³/h (PN-12)
- Ref. 647150: Flow-Meter DN-150 Q. máx: 634 m³/h (PN-12)
- Ref. 647200: Flow-Meter DN-200 Q. máx: 1,130 m³/h (PN-12)
- Ref. 647250: Flow-Meter DN-250 Q. máx: 1,768 m³/h (PN-12)
- Ref. 647300: Flow-Meter DN-300 Q. máx: 2,545 m³/h (PN-10)
- Ref. 647375: Flow-Meter DN-375 Q. máx: 3,975 m³/h (PN-10)
- Ref. 647450: Flow-Meter DN-450 Q. máx: 4,500 m³/h (PN-10)

- Ref. 647000: Display for pulse reading and tele-control M-500

Electro-Magnetic Flow Meter

EM-800



FLOW METER EM-800 · Electro-Magnetic Flow Meters PN-16

GENERAL PROPERTIES:

- EM-800 electromagnetic flowmeters with steel body 2060 offer the strength and durability of steel with a selection of coatings resistant to chemicals or abrasives. The EM-800 flowmeters are designed for a wide range of applications including water production and distribution, wastewater monitoring and treatment, irrigation flow measurement and mining sludge.
- EM-800 steel body electromagnetic flowmeters can be paired with solar or 240 VAC electronics, including the M500.
- It uses the electromagnetic method of certified measurement.
- Typical flow accuracy better than $\pm 0.5\%$ of indicated flow.
- No moving parts.
- Wide range of operation.
- There is no obstruction to flow.
- Insignificant pressure loss.
- Liners for chemical and abrasive applications.
- Variety of types of flanges available.
- Robust construction
- Submersible to 10 meters of water.
- Suitable for buried service.
- Minimum requirements for straight pipe installation.
- Remote mounted electronics.

TECH CHARACTERISTICS M-500 :

- Uses the well proven electromagnetic measurement method.
- Improved diagnostic and alarm functions.
- Removable SD card that allows the update of the transmitter.
- Large multi-line LCD screen.
- User-configurable logging interval for flow data and diagnostic tables.
- Optional 4-20mA output.
- Digital frequency configurable by the user and pulse outputs.
- Multipoint multipoint MODBUS support.
- 3x expansion slots that allow additional IO.
- Serial support for modems, RTUs and PLCs.
- Ability to "read flow now" in real time for door control functions.
- Ability to calibrate and operate flow tubes up to 1000 mm in diameter.

- Membrane keyboard without moving parts.
- Cable entry through IP68 cable gland without moving parts.
- Designed for outdoor environments.
- Individually shielded signal cable with external shielding.
- Flow rate range: 0.01 to 10 m / sec ($\pm 0.005\%$)
- Accuracy: Better than $\pm 0.05\%$ of the indicated flow, or ± 1 mm / s.
- Full scale flow: programmable.
- Low flow cutoff: programmable from 0 to 10% of the flow.
- Totalized channels: Total volumetric flow: Forward, Reverse, Peak / Out of peak, Year to date.
- Totalizing units: Liters, Kiloliters, Megalitros, Gigalitros, Imperial and American gallons, imperial mega gallons and others.
- Conversion factor of the programmable unit by the user
- Flow time units: seconds, hours, days

MODELS:

- Ref. 648050: Flow-Meter \varnothing 50 Q. máx: 72 m³/h
- Ref. 648080: Flow-Meter \varnothing 80 Q. máx: 180 m³/h
- Ref. 648100: Flow-Meter \varnothing 100 Q. máx: 280 m³/h
- Ref. 648150: Flow-Meter \varnothing 150 Q. máx: 640 m³/h
- Ref. 648200: Flow-Meter \varnothing 200 Q. máx: 1130 m³/h
- Ref. 648225: Flow-Meter \varnothing 225 Q. máx: 1430 m³/h
- Ref. 648250: Flow-Meter \varnothing 250 Q. máx: 1760 m³/h
- Ref. 648300: Flow-Meter \varnothing 300 Q. máx: 2550 m³/h
- Ref. 648350: Flow-Meter \varnothing 350 Q. máx: 3460 m³/h
- Ref. 648375: Flow-Meter \varnothing 375 Q. máx: 3980 m³/h
- Ref. 648400: Flow-Meter \varnothing 400 Q. máx: 4520 m³/h
- Ref. 648450: Flow-Meter \varnothing 450 Q. máx: 5725 m³/h
- Ref. 648500: Flow-Meter \varnothing 500 Q. máx: 7060 m³/h
- Ref. 648600: Flow-Meter \varnothing 600 Q. máx: 10175 m³/h
- Ref. 648700: Flow-Meter \varnothing 700 Q. máx: 13850 m³/h
- Ref. 648800: Flow-Meter \varnothing 800 Q. máx: 18100 m³/h
- Ref. 648900: Flow-Meter \varnothing 900 Q. máx: 22900 m³/h
- Ref. 648000: Flow-Meter \varnothing 1000 Q. máx: 28275 m³/h

- Ref. 647000: Display for pulse reading and tele-control M-500

VYR-6530 MANUAL SECURITY VALVES

Manual valves

GENERAL PROPERTIES:

- Body made of cast iron GG25, coated RILSAN plastic resin paint.
- Internal mechanisms made of engineering plastics in combination with 18/8 stainless steel for metal parts.
- Connections flanged to ISO 7005.

MODELS:

- Ref. 653013: Wheel gate valves, 3"
- Ref. 653014: Wheel gate valves, 4"
- Ref. 653016: Wheel gate valves, 6"
- Ref. 653018: Wheel gate valves, 8"
- Ref. 653019: Wheel gate valves, 10"
- Ref. 653023: Butterfly valves, inox-swing, 3"
- Ref. 653024: Butterfly valves, inox-swing, 4"
- Ref. 653026: Butterfly valves, inox-swing, 6"
- Ref. 653028: Butterfly valves, inox-swing, 8"
- Ref. 653029: Butterfly valves, inox-swing, 10"
- Ref. 653033: Check-valves with dual plate, 3"
- Ref. 653034: Check-valves with dual plate, 4"
- Ref. 653036: Check-valves with dual plate, 6"
- Ref. 653038: Check-valves with dual plate, 8"
- Ref. 653039: Check-valves with dual plate, 10"



VYR-6471 FLOW LIMITATOR ORIFICE DISCS

Hydraulic valve accessories

GENERAL PROPERTIES:

- Orifice discs for flow limitation made of high strength plastic.
- With 3 outlets 1/4 "H for connection to pilot regulator drivers.
- Rubber sealing for flanges built.

MODELS:

- Ref. 653043: Orifice disc of 3"
- Ref. 653044: Orifice disc of 4"
- Ref. 653046: Orifice disc of 6"
- Ref. 653048: Orifice disc of 8"
- Ref. 653049: Orifice disc of 10"



SCREW & GASKETS FOR FLANGED HYDRAULIC VALVES

Hydraulic valve accessories

MODELS:

- Ref. 633043: Rubber disc for 3" flange.
- Ref. 633044: Rubber disc for 4" flange.
- Ref. 633045: Rubber disc for 5" flange.
- Ref. 633046: Rubber disc for 6" flange.
- Ref. 633047: Rubber disc for 8" flange.
- Ref. 633048: Rubber disc for 10" flange.
- Ref. 633049: Rubber disc for 12" flange.
- Ref. 633050: Screw 8,8 - 16x70 + Ring + Nut
- Ref. 633051: Screw 8,8 - 16x80 + Ring + Nut
- Ref. 633052: Screw 8,8 - 16x90 + Ring + Nut
- Ref. 633053: Screw 8,8 - 16x100 + Ring + Nut



PETERSON VALVE & NIDDLE

Irrigation accessories

GENERALES PROPERTIES:

- Peterson Needles and Valves for gauges 1/4" BSP / NPT.
- Made of brass, stainless steel and special rubbers.
- Ideal for fast field measurements without leaving the gauge installed.
- Rotational nut for clamping needle gauge.
- Needle protection housing.
- Sealing plug safety valve.

MODELS:

Ref. 101890: Peterson 1/4" M valve.

Ref. 101897: Needle for Peterson valve with 1/4" H adapter.

Ref. 101898: Needle for Peterson valve with 1/4" H special security record adapter.



GLICERINE PRESSURE GAUGES

Irrigation accessories

GENERALES PROPERTIES:

- Glycerine pressure gauge 0-10 or 25 BAR
- Stainless steel body and stamped brass connections.

APPLICATIONS:

- Agriculture and gardening.
- Industrial uses.

MEASUREMENTS:

- Deep: 4 cm
- Width: 6+3 cm
- Weight: 240 g
- Units per box: 10

OPTIONS:

- Mounted on rear body adapter male to female 3/4" jack.
- Gauge Kit with side inlet and outlet needle nozzle pressures.

MODELS:

Ref. 408706: Mini-gauge, back inlet of 0-10 BAR

Ref. 401804: Pres. gauge with lateral inlet of 0-6 BAR

Ref. 401800: Pres. gauge with lateral inlet of 0-10 BAR

Ref. 401802: Pres. gauge with back inlet of 0-10 BAR

Ref. 401803: Pres. gauge with lateral inlet of 0-25 BAR

Ref. 401805: Fixed differential P.G. of 0-1-2 BAR

Ref. 401807: Adjustable differential P.G. of 0-10 BAR

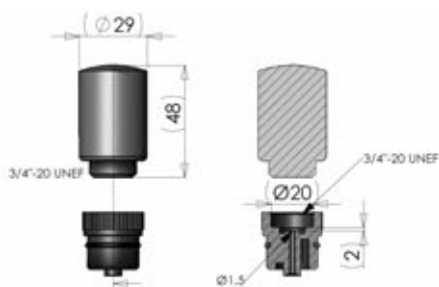
Ref. 401897: Brass needle for instantaneous pressure measurement and orific diameter measurement.

Ref. 401702: In-pipe adapter 3/4" F x 3/4" F with double outlet of 1/8" F.

Ref. 401701: In-pipe adapter 3/4" M x 3/4" F with single outlet of 1/8" F.



VYR-6200 Solenoids



Ref. 621201

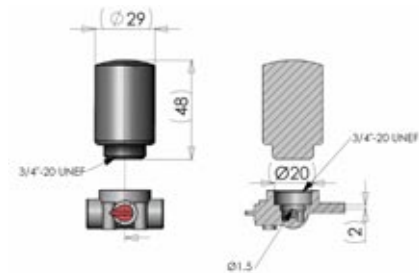


Ref. 620249



Ref. 620240

2 ways solenoids (electro-valves)



Ref. 621202



Ref. 620249

Ref. 621212



Ref. 621203

3 ways solenoids (hydraulic valves)



Ref. 620021



Ref. 620011



Ref. 620012



Ref. 620010



Ref. 620018

Solenoid base

VYR-6200 SOLENOIDS · Valve Accessories

2 WAYS SOLENOIDS (ELECTRO-VALVES):

Ref. 620121: Solenoid 12 Vdc 2W NC 1.6 mm (Holding Current 290mA)

- Ref. 620240: Solenoid 24 Vac 2W NC 1.6 mm METAL HOUSING (Holding Current 130mA)
- Ref. 620249: Solenoid 24 Vac 2W NC 1.6 mm PLASTIC HOUSING (Holding Current 130mA)
- Ref. 620247: Solenoid 24 Vac 2W NO 1.6 mm (Holding Current 130mA)
- Ref. 620241: Solenoid 24 Vdc 2W NC 1.6 mm (Holding Current 290mA)
- Ref. 621201: Solenoid 9/12 Vdc LATCH 2W NC/NO 1.2 mm

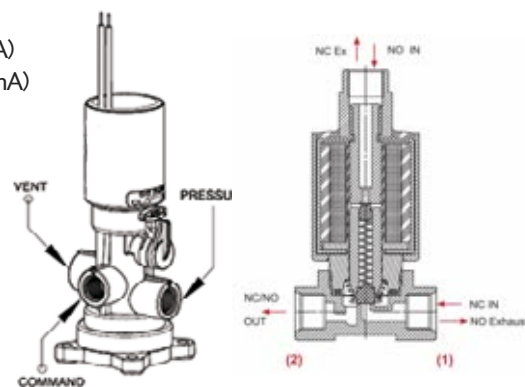
3 WAY SOLENOIDS (HYDRAULIC VALVES):

- Ref. 621212: Solenoid 6-30 Vdc LATCH 3W + HYDRAULIC PILOT NC/NO 1.6 mm
- Ref. 621202: Solenoid 6-24 Vdc LATCH 3W + BASIC PILOT NC/NO 1.4 mm
- Ref. 621203: Solenoid 12 Vdc 3W + PILOT NC/NO 1.5 mm (Holding Current 290mA)
- Ref. 621204: Solenoid 24 Vdc 3W + PILOT NO 1.6 mm (Holding Current 130mA)
- Ref. 621205: Solenoid 24 Vdc 3W + PILOT NC 1.6 mm (Holding Current 260mA)

SOLENOID ACCESSORIES:

- Ref. 620010: Universal adaptor for 2 way solenoid with ON/OFF handle.
- Ref. 620012: Universal adapter for 3 way solenoid with manual pilot.
- Ref. 620018: Universal adapter base for 3 way solenoid 1.8 mm
- Ref. 620026: Universal adapter base for 3 way solenoid 2.6 mm
- Ref. 620011: Universal brass hydraulic adapter for 3 way valve.
- Ref. 620021: Adaptater + Pressure Regulator + Preasure Gauge

• Most common Solenoids



Ref. 620021

- Working Pressure (inlet): 2 - 10 BAR
- Regulation Range: 1 - 7 BAR
- Working Temp. : +2°C / +70°C

VYR-6250 METAL BASE BRASS

Valve Accessories

GENERAL PROPERTIES:

- Solenoids 2/3 ways with metal base brass.
- Made of brass, special plastics and stainless steel.
- Max. operating 10 BAR
- Outlets 1/8"
- 2 mm water pass.

MODELS:

Ref. 625012: 12 Vdc 3W + PILOT NC/NO 2 mm BRASS BASE

Ref. 625024: 24 Vac 3W + PILOT NC/NO 2 mm BRASS BASE



Ref. 625024

VYR-6280 METAL BASE BRASS

Valve Accessories

GENERAL PROPERTIES:

- 2/3 way solenoid N/C precision metal brass base.
- Made of brass, special plastics and stainless steel.
- Max. operating 10 BAR
- Manual control at base ON-OFF-AUTO.
- Outlets 1/8"
- 2 mm water pass.

MODELS:

Ref. 628024: 24 Vac metal base 1/8" manual pilot at base.

Ref. 628012: 12 Vdc metal base 1/8" manual pilot at base.

Ref. 628009: LATCH 9 Vdc metal base 1/8" manual pilot at base (long range).

Ref. 628013: LATCH 12 Vdc metal base 1/8" manual pilot at base.

Ref. 628014: LATCH 12 Vdc metal manifold- base 1/8" manual pilot.



Ref. 628024

Ref. 628014

VYR-6270 PLASTIC HYDRAULIC RELAY

Valve Accessories

GENERAL PROPERTIES:

- Hydraulic relay N.C. or N.A. made of plastic suitable for opening and closing hydraulic solenoid valves with large volumes of chambers due to the larger bore step of this relay with respect to the most conventional solenoids.
- It also allows the actuation of hydraulic valves at certain distances in which the hydraulic signal alone is insufficient to actuate or excessive, acting as a signal amplifier. Similarly gets troubleshoot command by topographical differences in height.
- Another use of this valve will be able to remotely commandeer hydraulically reducing equipment and / or holders and hydraulic signals switch generically.
- 3-way socket 1/8" H
- Inner membrane reinforced with nylon mesh.
- Manual steering selector control ON-OFF-AUTO.

MODELS:

Ref. 627001: Plastic Hydraulic Relay with GREY spring (no painted), 0-10 m of topographic differential (STANDARD).

Ref. 627002: Plastic Hydraulic Relay with GREEN spring, 10-20 m of topographic differential (OPTIONAL).



Ref. 628024

VYR-6275 METAL HYDRAULIC RELAY

Valve Accessories

GENERAL PROPERTIES:

- Designed as hydraulic control relay N.C. or N.A. suitable for opening and closing hydraulic solenoid valves with large volumes of chambers due to the larger bore step of this relay with respect to the most conventional solenoids.
- It also allows the actuation of hydraulic valves at certain distances when the hydraulic signal alone is insufficient to actuate or excessive, acting as a signal amplifier. Similarly gets troubleshoot command by topographical differences in height.
- Another use of this valve will be able to remotely commandeer hydraulically reducing equipment and / or holders and hydraulic signals switch generically.
- Body cast in brass with female thread 1/8"
- Smart design that allows the valve to be NC or NO by changing the hydraulic connections.
- When the relay is used as NC, it is not recommended to use the yellow spring.

MODELS:

- Ref. 627501: Metal Hydraulic Relay with YELLOW spring, 0-10 m of topographic differential (OPTIONAL).
- Ref. 627502: Metal Hydraulic Relay with STANDARD (no painted), 4-15 m of topographic differential (STANDARD).
- Ref. 627503: Metal Hydraulic Relay with GREEN, 8-24 m of topographic differential (OPTIONAL).
- Ref. 627504: Metal Hydraulic Relay with RED, 9-29 m of topographic differential (OPTIONAL).
- Ref. 627505: Metal Hydraulic Relay with BLUE, 11-38 m of topographic differential (OPTIONAL).



VYR-6830 «T» HYDRAULIC SELECTOR

Valve Accessories

GENERAL PROPERTIES:

- Stamping brass body.
- Connections of 1/8" F
- Communicates via common with the higher pressure of 2 the inputs.

MODELS:

- Ref. 683002: T selector 1/8"



FILTER «Y» FOR HYDRAULIC CONTROL MANIFOLDS

Valve Accessories

GENERAL PROPERTIES:

- Stamping brass body.
- Female connections 3/8" (DN 10).
- Inox. mesh filter 500 microns
- PN-10
- Nitrile seals high tightness.

MODELS:

- Ref. 687002: Brass and INOX Steel Y screen filter of 3/8"



Hydraulic pressure reducing pilots

Valve Accessories



GENERAL PROPERTIES:

The wide range of pilots for pressure regulators allow us to tailor solutions to the needs that arise in the facilities of our customers.

Brass Metal Pilots VYR® are specially designed to work at high pressures. They are highly reliable and easy to use. The adjustment is adjustable by a screw located at the top.

- Pilots regulators mount hydraulic valves, with different options and features of regulation depending on the model and its mode of installation.
- Body and lid made of brass.
- Permanent Cleaning brass filter through the steel mesh embedded in any assembly.
- Assembled with screws, shaft and stainless steel spring.

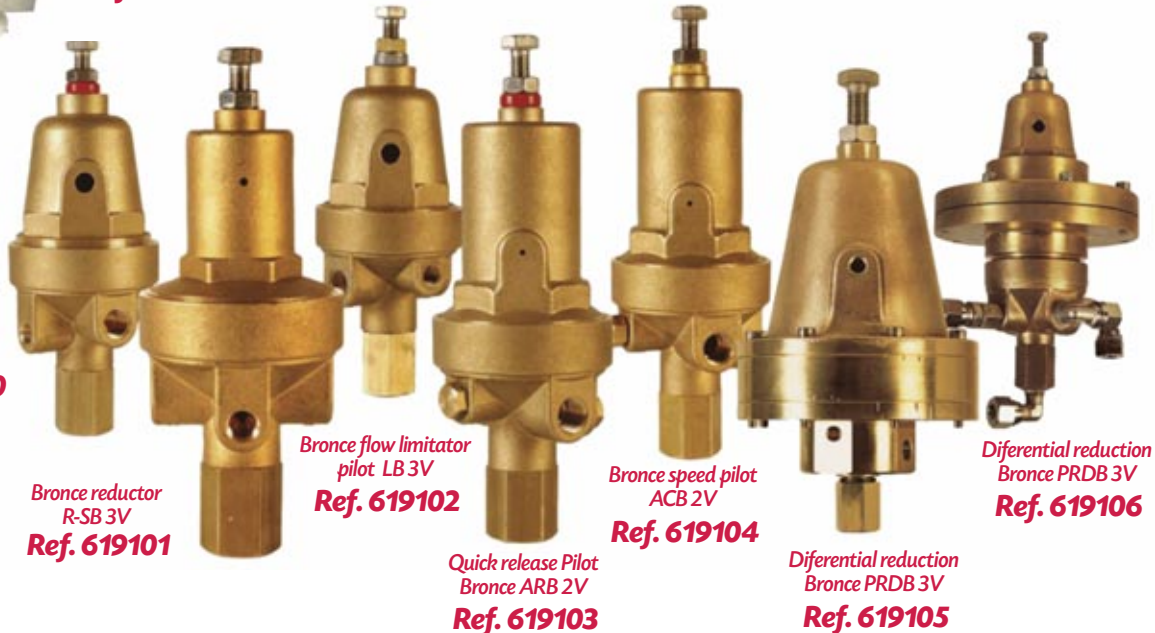


Ref. 61908

Pilot float valve
PVF 3V

Ref. 619107

Bronze reductor
pilotRB 2V
Ref. 619100



Bronze reductor
R-SB 3V
Ref. 619101

Bronze flow limiter
pilot LB 3V
Ref. 619102

Quick release Pilot
Bronze ARB 2V
Ref. 619103

Bronze speed pilot
ACB 2V
Ref. 619104

Diferential reduction
Bronze PRDB 3V
Ref. 619105

Diferential reduction
Bronze PRDB 3V
Ref. 619106

Hydraulic filters

Valve Accessories

GENERAL PROPERTIES:

- Screen filters for hydraulic steering jacks.
- External thread 1/4" male and female thread 1/8" female.
- Made of highly resistant materials in brass and stainless steel.
- Two models depending on the size (long and short) and in turn filtration two degrees of 300 and 500 microns.
- Easily removed for washing.

MODELS:

Ref. 611002: LONG filter (1/4" M - 1/8" H), 36 mesh/ 300 micron.

Ref. 611009: SHORT filter (1/4" M - 1/8" H), 36 mesh/ 300 micron.

Ref. 611012: LONG filter (1/4" M - 1/8" H), 55 mesh/ 500 micron.

Ref. 611032: SHORT filter (1/4" M - 1/8" H), 55 mesh/ 500 micron.



Long

Short



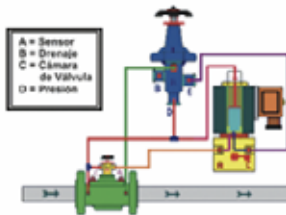
500 micron

300 micron

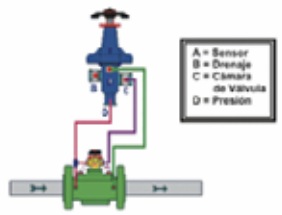
PRH-61

Hydraulic pressure regulators

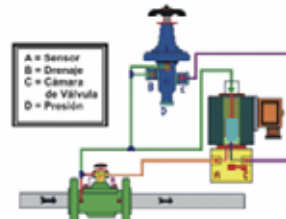
Reguladora de Presión con Llave y solenoide de 3 vías



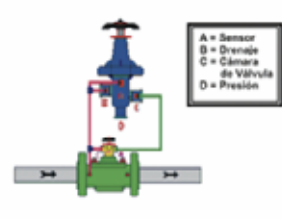
Reguladora de Presión con Llave de 3 vías en válvula



Sostenedora de Presión con Llave y solenoide de 3 vías



Sostenedora de Presión con Llave de 3 vías



Conexión de Piloto Sostenedor + Piloto Regulador en Válvula con llave de 3 vías



Reguladora como Válvula de Seguridad para sistema de Filtrado



Ref. 619010

PRH-61 · Hydraulic pressure regulators

GENERAL PROPERTIES:

- Made of Nylon (PA. F.V.33%). Great versatility. Reduced size. Under differential. Tolerance to chemicals and temperature. Operated by screw or lever. Support anchor valve M-8 (optional M-14).
Range:
Low pressure 5-40 m
Standard pressure 10-60 m
High pressure 10-90 m "Just screw models".
- Pressure Hydraulic Regulator PRH-71, which is necessary for hydraulic control of pressures in the hydraulic application facilities agricultural and industrial.
- With the installation of PRH-71 pilots on hydraulic valves we can assemble the valve on different modular ways depending of your needs. Connecting the pilots to the upper chamber of the hydraulic valve and the inlet and outlet, we can achieve effects such as:
 - Pressure Regulating Valve (regulate output pressure of the valve, downstream).
 - Pressure Sustaining Valve (inlet pressure regulate in valve, upstream).
 - Safety valve or quick relief (open valve from "x" upstream pressure).

- Differential of Altitude Valve (unlike absorb pressure gradient).
- Sustaining valve and pressure regulator (with 2 pilots upstream regulatory premium regulation downstream).
- All these applications with a single device, the PR-71 Pilot Regulator: VYR S.A. This product offers suitable versions for different applications, either for control of valves that trasieguen water at temperatures up to 60° so as valves trasieguen water with concentrations of chemicals with high corrosive characteristics, this will include request internal components made of stainless steel, Viton or silicone, and various ranges in pressure.

MODELS:

- Ref. 619004: Regulator pilot 0-4 BAR
- Ref. 619006: Regulator pilot 0-6 BAR
- Ref. 619010: Regulator pilot 0-10 BAR

HYDRAULIC COMMAND Green-Flex Pipes

Valve Accessories

greenflex
pipes



Anti-blending

GENERAL PROPERTIES:

- Reels of pilot micro-pipe for installations of hydraulic valves automation.
- Made from high strength PE and hi-flexibility.
- Rolled in reels of 500 y 1000 m for quick and easy handling on site.
- Its flexibility and thickness makes it very difficult to get pinched causing tube blockages or narrowing of flow.
- Each pallet has 24 reels of 1000 m

MICRO-PIPE COMAND MODELS & ACCESORIES:

Ref. 611910: Roll of micropipe 6x4,5 mm of 300 m

Ref. 611902: Roll of micropipe 8x5,6 mm of 800 m

Ref. 466619: Pipe cutter pliers.

Ref. 611900: Pipe spool.



Ref. 611902



VYR-27 3-WAY HYDRAULIC VALVE

Valve Accessories

GENERAL PROPERTIES:

- 3-way valves for manual control valves, hydraulic systems.
- Made of brass with steel shaft, chrome plated ball, seats fluoropolymers and plastic knobs.
- Available with controls in different colors to identify different uses.
- Models 1/8", 1/4 and 1/4" high flow.
- Identifying engraving position ON-OFF-AUTO.

MODELS:

Ref. 102700: 3-way valve 1/8" M - 1/8"F (x3).

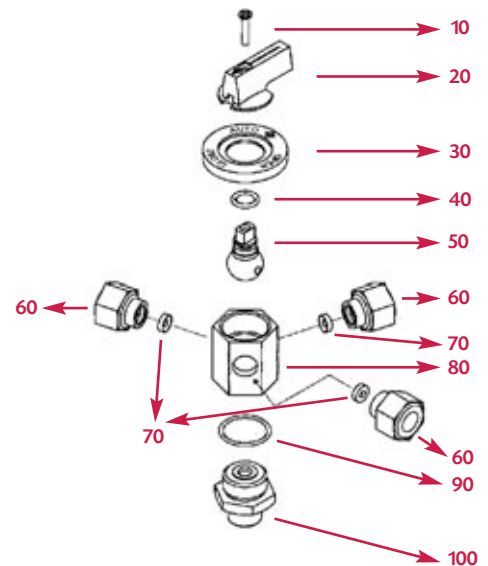
Ref. 102701: 3-way valve 1/4" M - 1/8"F (x3).

Ref. 102710: 3-way valve 1/8" F - 1/8"F (x3).

Ref. 102711: 3-way valve 1/4" F - 1/8"F (x3).

Ref. 102702: 3-way valve HI-FLOW 1/4"M - 1/4"F (x3).

Ref. 102703: Sleeve coupler 3/4" with double 1/8" F outlet (Hydraulic control comand for 3/4" riser).



Ref. 102710



Ref. 102711



Ref. 102701



Ref. 102702



Ref. 102700

Hydraulic Racords

Valve Accessories



METAL "COMPRESSION" MICRO-PIPE FITTINGS

- Ref. 611701: T EXPRESS - EXPRESS - EXPRESS, 6 mm
- Ref. 611702: T EXPRESS - 1/8" M - EXPRESS, 6 mm
- Ref. 611703: T EXPRESS - 1/4" M - EXPRESS, 6 mm
- Ref. 611704: T ASIMETRIC 1/8" M - EXPRESS - EXPRESS, 6 mm
- Ref. 611705: T ASIMETRIC 1/4" M - EXPRESS - EXPRESS, 6 mm
- Ref. 611706: ELBOW 1/8" M - EXPRESS, 6 mm
- Ref. 611716: ELBOW 1/4" M - EXPRESS, 6 mm
- Ref. 611717: EXPRESS, 6 mm - EXPRESS, 6 mm
- Ref. 611707: RACORD 1/8" M - EXPRESS, 6 mm
- Ref. 611708: RACORD 1/4" M - EXPRESS, 6 mm
- Ref. 611709: UNION RACORD EXPRESS 6 mm - EXPRESS, 6 mm
- Ref. 611809: UNION RACORD EXPRESS 6 mm - EXPRESS, 6 mm
- Ref. 611801: T EXPRESS - EXPRESS - EXPRESS, 8 mm
- Ref. 611802: T EXPRESS - 1/8" M - EXPRESS, 8 mm
- Ref. 611803: T EXPRESS - 1/4" M - EXPRESS, 8 mm
- Ref. 611804: T ASIMETRIC 1/8" M - EXPRESS - EXPRESS, 8 mm
- Ref. 611805: T ASIMETRIC 1/4" M - EXPRESS - EXPRESS, 8 mm
- Ref. 611806: ELBOW 1/8" M - EXPRESS, 8 mm
- Ref. 611816: ELBOW 1/4" M - EXPRESS, 8 mm
- Ref. 611817: ELBOW EXPRESS, 8 mm - EXPRESS, 8 mm
- Ref. 611807: RACORD 1/8" M - EXPRESS, 8 mm
- Ref. 611808: RACORD 1/4" M - EXPRESS, 8 mm
- Ref. 611812: UNION RACORD EXPRESS 8 mm - EXPRESS, 8 mm
- Ref. 611810: RACORD H, 1/8" M - EXPRESS, 8 mm
- Ref. 611811: RACORD H, 1/4" M - EXPRESS, 8 mm



MICRO-PIPE METAL RACORDS

- Ref. 611301: NIPPLE 1/8" M - 1/8" M
- Ref. 611302: NIPPLE 1/4" M - 1/4" M
- Ref. 611303: REDUCED NIPPLE 1/4" M - 1/8" M
- Ref. 611306: SLEEVE 1/8" H - 1/8" H
- Ref. 611307: SLEEVE 1/4" H - 1/4" H
- Ref. 611308: REDUCED SLEEVE 1/4" H - 1/8" H
- Ref. 611304: PLUG 1/8" M
- Ref. 611305: PLUG 1/4" M
- Ref. 611351: RACORD T 1/4" H x 1/4" H x 1/4" H
- Ref. 611352: RACORD T 1/4" H x 1/4" M x 1/4" H
- Ref. 611353: RACORD T ASIMETRIC 1/4" M x 1/4" H x 1/4" H
- Ref. 611354: RACORD ELBOW 1/4" H x 1/4" H
- Ref. 611355: RACORD ELBOW 1/4" M x 1/4" H
- Ref. 611356: ELBOW 8 - 8
- Ref. 611360: IN-LINE BALL VALVE 1/4" H x 1/4" H



PLASTIC "COMPRESSION" MICRO-PIPE FITTINGS

- Ref. 611501: T EXPRESS - EXPRESS - EXPRESS, 6 mm
- Ref. 611502: T EXPRESS - 1/8" M - EXPRESS, 6 mm
- Ref. 611503: T EXPRESS - 1/4" M - EXPRESS, 6 mm
- Ref. 611504: T ASIMETRIC 1/8" M - EXPRESS - EXPRESS, 6 mm
- Ref. 611505: T ASIMETRIC 1/4" M - EXPRESS - EXPRESS, 6 mm
- Ref. 611506: ELBOW 1/8" M - EXPRESS, 6 mm
- Ref. 611507: ELBOW 1/4" M - EXPRESS, 6 mm
- Ref. 611508: ELBOW WITH SHORT FILTER 1/4" M - EXPRESS, 6 mm
- Ref. 611509: ELBOW WITH LONG FILTER 1/4" M - EXPRESS, 6 mm
- Ref. 611510: RACORD 1/8" M - EXPRESS, 6 mm
- Ref. 611511: RACORD 1/4" M - EXPRESS, 6 mm
- Ref. 611512: UNION RACORD EXPRESS 6 mm - EXPRESS, 6 mm
- Ref. 611513: REDUC. RACORD UNI. EXPRESS 8 mm - EXPRESS, 6 mm
- Ref. 611401: T EXPRESS - EXPRESS - EXPRESS, 8 mm
- Ref. 611402: T EXPRESS - 1/8" M - EXPRESS, 8 mm
- Ref. 611403: T EXPRESS - 1/4" M - EXPRESS, 8 mm
- Ref. 611404: T ASIMETRIC 1/8" M - EXPRESS - EXPRESS, 8 mm
- Ref. 611405: T ASIMETRIC 1/4" M - EXPRESS - EXPRESS, 8 mm
- Ref. 611406: ELBOW 1/8" M - EXPRESS, 8 mm
- Ref. 611407: ELBOW 1/4" M - EXPRESS, 8 mm
- Ref. 611408: ELBOW WITH SHORT FILTER 1/4" M - EXPRESS, 8 mm
- Ref. 611409: ELBOW WITH LONG FILTER 1/4" M - EXPRESS, 8 mm
- Ref. 611410: RACORD 1/8" M - EXPRESS, 8 mm
- Ref. 611411: RACORD 1/4" M - EXPRESS, 8 mm
- Ref. 611412: UNION RACORD EXPRESS 8 mm - EXPRESS, 8 mm
- Ref. 611413: ELBOW - EXPRESS 8 mm
- Ref. 611201: NIPPLE 1/8" M - 1/8" M
- Ref. 611202: NIPPLE 1/4" M - 1/4" M
- Ref. 611206: SLEEVE 1/8" H - 1/8" H
- Ref. 611207: SLEEVE 1/4" H - 1/4" H
- Ref. 611208: REDUCED SLEEVE 1/4" H - 1/8" H
- Ref. 611203: REDUCED NIPPLE 1/4" M - 1/8" M
- Ref. 611204: PLUG 1/8" M
- Ref. 611205: PLUG 1/4" M



METAL "PUSH-IN" MICRO-PIPE CONNECTORS

- Ref. 611601: T EXPRESS - EXPRESS - EXPRESS, 8 mm
- Ref. 611602: T EXPRESS - 1/8" M - EXPRESS, 8 mm
- Ref. 611603: T EXPRESS - 1/4" M - EXPRESS, 8 mm
- Ref. 611604: T ASIMETRIC 1/8" M - EXPRESS - EXPRESS, 8 mm
- Ref. 611605: T ASIMETRIC 1/4" M - EXPRESS - EXPRESS, 8 mm
- Ref. 611606: ELBOW 1/8" M - EXPRESS, 8 mm
- Ref. 611607: ELBOW 1/4" M - EXPRESS, 8 mm
- Ref. 611608: RACORD 1/8" M - EXPRESS, 8 mm
- Ref. 611609: RACORD 1/4" M - EXPRESS, 8 mm
- Ref. 611610: UNION RACORD EXPRESS - EXPRESS, 8 mm
- Ref. 611611: Y EXPRESS - EXPRESS - EXPRESS, 8 mm

FRAMES & COMAND MANIFOLDS

Valve Accessories



Ref. 659500

GENERAL PROPERTIES:

- Fully manifold mounted on aluminum frame for controller and solenoids.
- Connects to micro-pipe of 6 mm or 8 mm with thread sealed with fluoropolymer sealing and PE micro-pipe.
- Profile machining to allow lateral movement.

MODELS:

OUTDOOR FRAME INOX

- Ref. 659500: Outdoor Frame INOX con anclaje móvil
 Ref. 659502: Outdoor Frame for 2 stations.
 Ref. 659504: Outdoor Frame for 4 stations.
 Ref. 659506: Outdoor Frame for 6 stations.
 Ref. 659508: Outdoor Frame for 8 stations
 Ref. 659510: Outdoor Frame for 10 stations.
 Ref. 659512: Outdoor Frame for 12 stations.

HYDRAULIC COMAND MANIFOLDS (plastic record)

- Ref. 106111: Hydraulic Comand Manifold 8 mm for 2 stations.
 Ref. 106112: Hydraulic Comand Manifold 8 mm for 3 stations.
 Ref. 106113: Hydraulic Comand Manifold 8 mm for 4 stations.
 Ref. 106114: Hydraulic Comand Manifold 8 mm for 5 stations.



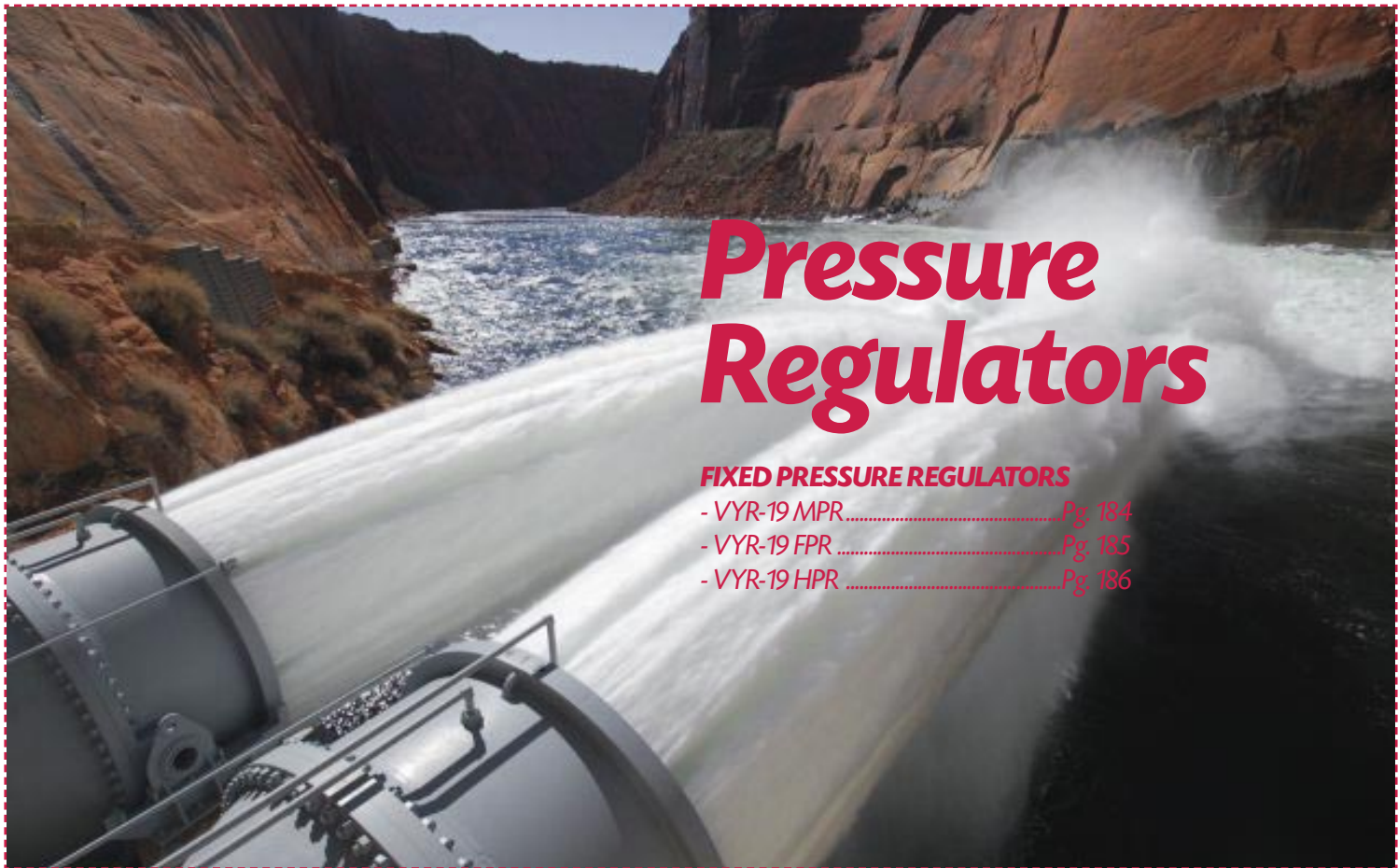
Ref. 106124

HYDRAULIC COMAND MANIFOLDS (metal record)

- Ref. 106121: Hydraulic Comand Manifold 8 mm for 2 stations.
 Ref. 106122: Hydraulic Comand Manifold 8 mm for 3 stations.
 Ref. 106123: Hydraulic Comand Manifold 8 mm for 4 stations.
 Ref. 106124: Hydraulic Comand Manifold 8 mm for 5 stations.

Ref. 106113





Pressure Regulators

FIXED PRESSURE REGULATORS

- VYR-19 MPR Pg. 184
- VYR-19 FPR Pg. 185
- VYR-19 HPR Pg. 186

VYR-19 MPR

VYR-19 MPR · Mini-Pressure-Regulator

GENERAL PROPERTIES:

- Pressure regulators VYR-19 MPR for agricultural and landscape use.
- Made of nylon 6.6, polypropylene, rubber and stainless steel.
- The design, with cross-sectional and longitudinal reinforcements, makes this range of pressure regulators one of most resistant on the market against high pressures and water hammer.
- BSP thread 3/4" H x (1/2" H- 3/4" M), and 1/2" x (1/2" H- 3/4" M)
- Stainless steel spring, high quality with continuous and uniform strength.
- Flow of 0,2 to 2,5 m³/h (0,9 - 11 GPM).
- Maximum working pressure 10 BAR (150 PSI).

MODELS:

- Ref. 121925: 3/4" H X 3/4" M-1/2" F, 25 PSI / 1,73 BAR (Pres. Max.= 7,2 BAR / 0,1- 2,5 m³/H)
- Ref. 121930: 3/4" H X 3/4" M-1/2" F, 30 PSI / 2,07 BAR (Pres. Max.= 7,6 BAR / 0,1- 2,5 m³/H)
- Ref. 121945: 3/4" H X 3/4" M-1/2" F, 45 PSI / 3,10 BAR (Pres. Max.= 8,3 BAR / 0,1- 2,5 m³/H)

MEASUREMENTS:

- Height: 7 cm / 2,75 in
- Width: 3,5 cm / 1,4 in
- Weight: 40 g / 0,09 Lbs
- Units per box: 100



**1/2" H
&
3/4" M**

3/4" H

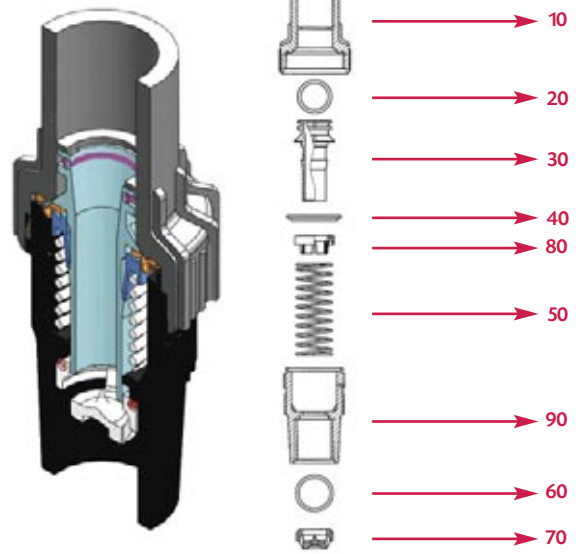


Ref. 105821



Ref. 105831

VYR-19 FPR



VYR-19 FPR · Fixed pressure regulators

GENERAL PROPERTIES:

- Fixed pressure reducing regulators VYR-19 FPR for agricultural use and professional landscaping.
- Manufactured in Nylon 6.6, polypropylene, EPDM rubber and stainless steel.
- Designed with transverse and longitudinal reinforcements make this range of pressure regulators of the market more resistant against high pressures and water hammer.
- Rosca EXTRA-LONG thread 3/4" H x 3/4" H (BSP).
- Stainless steel spring High quality with continuous and homogeneous force.
- Flow rate of 0,2-3,5 m³/h (0,88 - 15,4 GPM).
- Maximum working pressure 10 BAR (150 PSI).

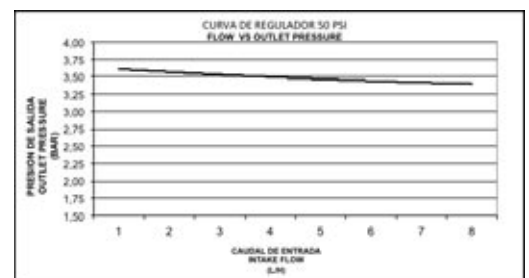
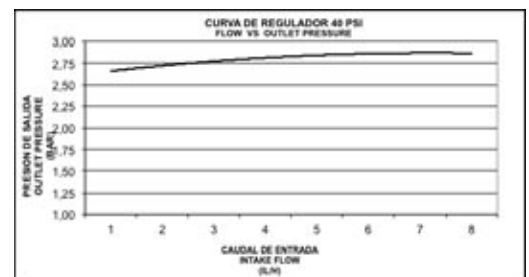
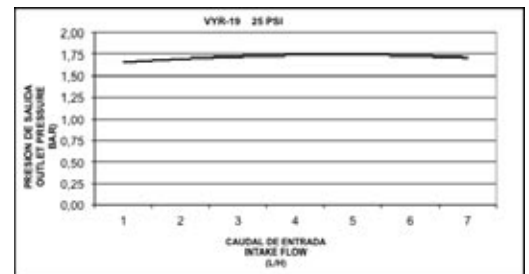
MEASUREMENTS:

- Height: 11,5 cm
- Weight: 105 g
- Width: 5,3 cm
- Units per box: 50

MODELS:

- Ref. 10191012: 3/4" H - 1/2" H , 10 PSI / 0,70 BAR (Reg. Pres. Max.= 6 BAR / 1- 5 m³/h)
- Ref. 10192012: 3/4" H - 1/2" H , 20 PSI / 1,40 BAR (Reg. Pres. Max.= 6,9 BAR / 1- 5 m³/h)
- Ref. 10192512: 3/4" H - 1/2" H , 25 PSI / 1,85 BAR (Reg. Pres. Max.= 7,2 BAR / 1- 5 m³/h)
- Ref. 10193012: 3/4" H - 1/2" H , 30 PSI / 2,07 BAR (Reg. Pres. Max.= 7,6 BAR / 1- 5 m³/h)
- Ref. 10194012: 3/4" H - 1/2" H , 40 PSI / 2,80 BAR (Reg. Pres. Max.= 8,3 BAR / 1- 5 m³/h)
- Ref. 10195012: 3/4" H - 1/2" H , 50 PSI / 3,45 BAR (Reg. Pres. Max.= 9 BAR / 1- 5 m³/h)

- Ref. 101910: 3/4" H - 3/4" H , 10 PSI / 0,70 BAR (Reg. Pres. Max.= 6 BAR / 1- 5 m³/h)
- Ref. 101920: 3/4" H - 3/4" H , 20 PSI / 1,40 BAR (Reg. Pres. Max.= 6,9 BAR / 1- 5 m³/h)
- Ref. 101925: 3/4" H - 3/4" H , 25 PSI / 1,85 BAR (Reg. Pres. Max.= 7,2 BAR / 1- 5 m³/h)
- Ref. 101930: 3/4" H - 3/4" H , 30 PSI / 2,07 BAR (Reg. Pres. Max.= 7,6 BAR / 1- 5 m³/h)
- Ref. 101940: 3/4" H - 3/4" H , 40 PSI / 2,80 BAR (Reg. Pres. Max.= 8,3 BAR / 1- 5 m³/h)
- Ref. 101950: 3/4" H - 3/4" H , 50 PSI / 3,45 BAR (Reg. Pres. Max.= 9 BAR / 1- 5 m³/h)



VYR-19 HPR

VYR-19 HPR · Fixed pressure regulators

GENERAL PROPERTIES:

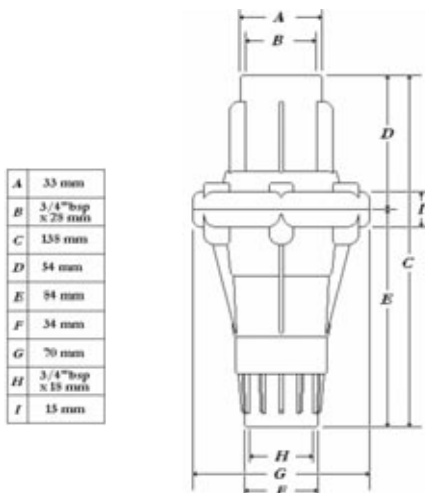
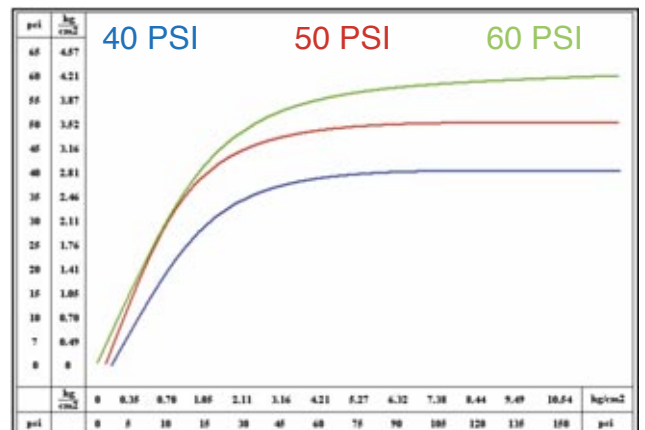
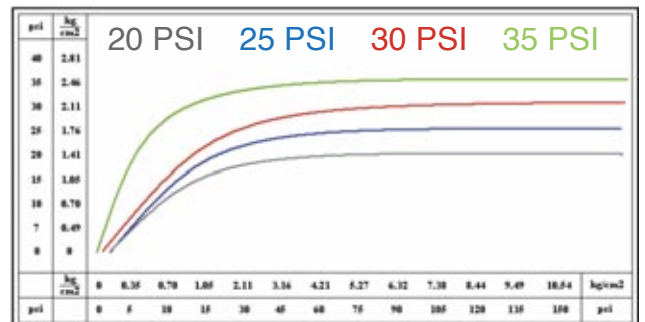
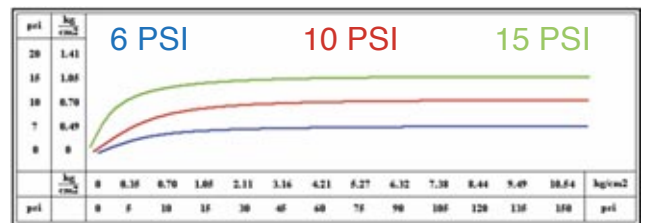
- Fixed pressure reducing regulators VYR-19 HPR for agricultural use and professional landscaping.
- Manufactured in Nylon 6.6, polypropylene, EPDM rubber and stainless steel.
- Designed with transverse and longitudinal reinforcements make this range of pressure regulators of the market more resistant against high pressures and water hammer.
- Rosca EXTRA-LONG thread 3/4" H x 3/4" H (BSP).
- Stainless steel spring High quality with continuous and homogeneous force.
- Flow rate of 2-5 m³/h (4,4 - 22 GPM).
- Maximum working pressure 10 BAR (150 PSI).

MEASUREMENTS:

- Height: 13,8 cm
- Width: 6,9 cm
- Weight: 197 g
- Units per box: 50

MODELS:

- Ref. 111906: 3/4", 6 PSI / 0,41 BAR (Reg. Pres. Max.= 5,6 BAR / 1-5 m³/h)
- Ref. 111910: 3/4", 10 PSI / 0,70 BAR (Reg. Pres. Max.= 6 BAR / 1-5 m³/h)
- Ref. 111915: 3/4", 15 PSI / 1,05 BAR (Reg. Pres. Max.= 6,4 BAR / 1-5 m³/h)
- Ref. 111920: 3/4", 20 PSI / 1,40 BAR (Reg. Pres. Max.= 6,9 BAR / 1-5 m³/h)
- Ref. 111925: 3/4", 25 PSI / 1,85 BAR (Reg. Pres. Max.= 7,2 BAR / 1-5 m³/h)
- Ref. 111930: 3/4", 30 PSI / 2,07 BAR (Reg. Pres. Max.= 7,6 BAR / 1-5 m³/h)
- Ref. 111935: 3/4", 35 PSI / 2,46 BAR (Reg. Pres. Max.= 8 BAR / 1-5 m³/h)
- Ref. 111940: 3/4", 40 PSI / 2,80 BAR (Reg. Pres. Max.= 8,3 BAR / 1-5 m³/h)
- Ref. 111950: 3/4", 50 PSI / 3,45 BAR (Reg. Pres. Max.= 9 BAR / 1-5 m³/h)
- Ref. 111960: 3/4", 60 PSI / 3,95 BAR (Reg. Pres. Max.= 9,5 BAR / 1-5 m³/h)



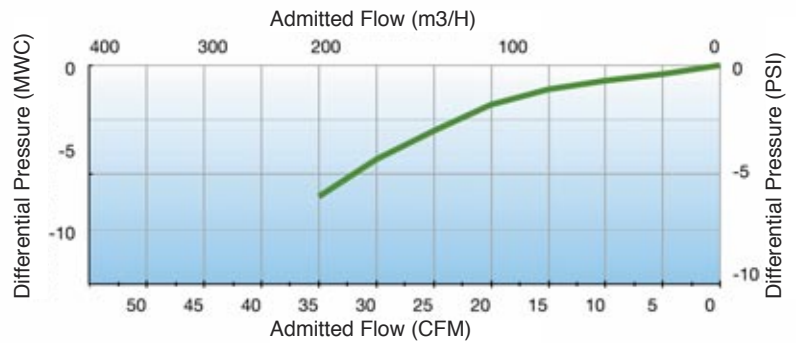
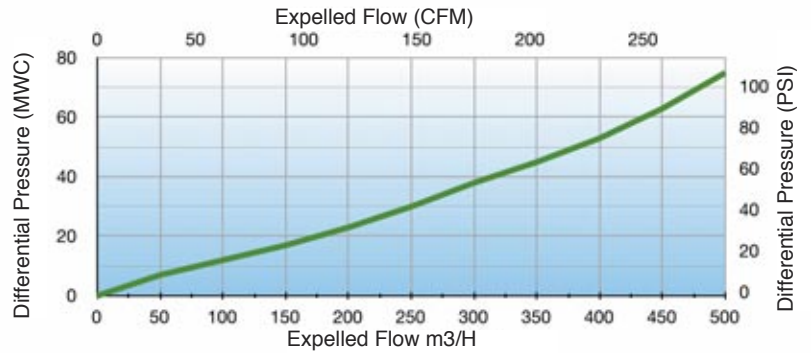


Air Release Valves

AIR RELEASE VALVES

- VYR-39 SIMPLE EFFECTPág. 188
- VYR-39 DOUBLE-TRIPLE-EFFECT ..Pág. 189
- VYR-39 TRIPLE-EFFECT.....Pág. 190

VYR-39 Mono-functional



VYR-39 MONO-FUNCTIONAL · Air Release Valve

GENERAL PROPERTIES:

- Double action kinetic air valves to extract and impel air from and into irrigation systems.
- Made of nylon 6.6 and reinforced with 30% fiberglass. Rubber closure gasket and polystyrene float.
- Operating range of 0.5 to 16 BAR (7 - 230 PSI)
- Continuous operation.
- Extracts more than 500 m³/h of air on filling the installation, without the valve closing through absence of air.
- Extraction of more than 45 m³/H (58 PSI). of air in installations with hydraulic pressures of 0,4 BAR (7 PSI).
- **It extracts** the air from the installation while the pipelines are filling. When the water reaches the inside of the valve, the float rises and closes the discharge outlet.
- Airflow outlet with swivel elbow of 1/8" F.
- **It prevents** the pipes from collapsing due to pressure decrease when the system is emptied. As the system is being emptied, the float drops and opens the seal, allowing air to enter the pipe.

APPLICATIONS:

- Agricultural installations, professional landscaping of all types and industrial use.

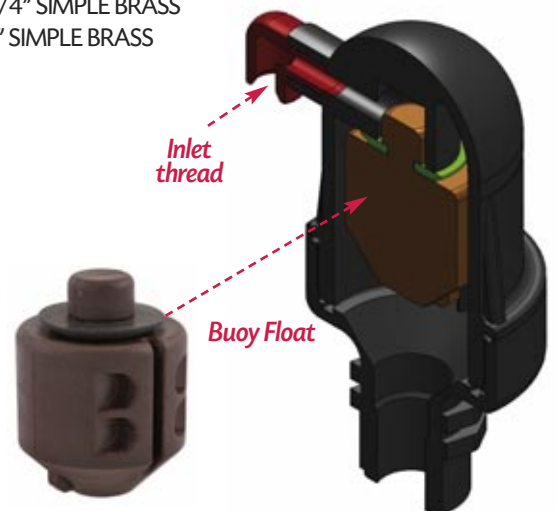
MODELS:

Ref. 103904: 3/4" SIMPLE

Ref. 103905: 1" SIMPLE

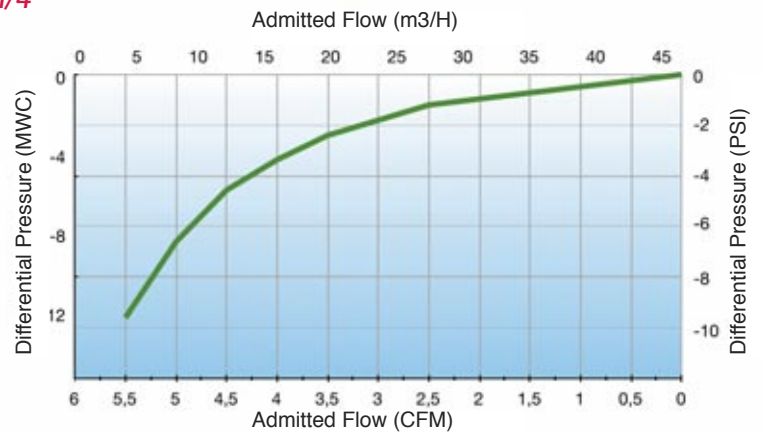
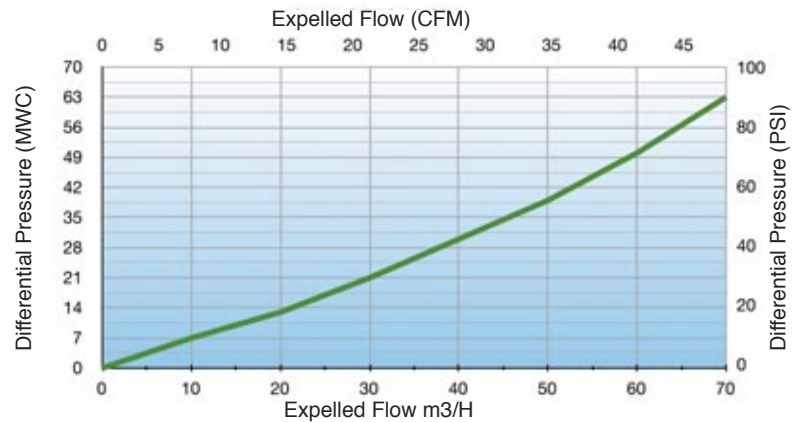
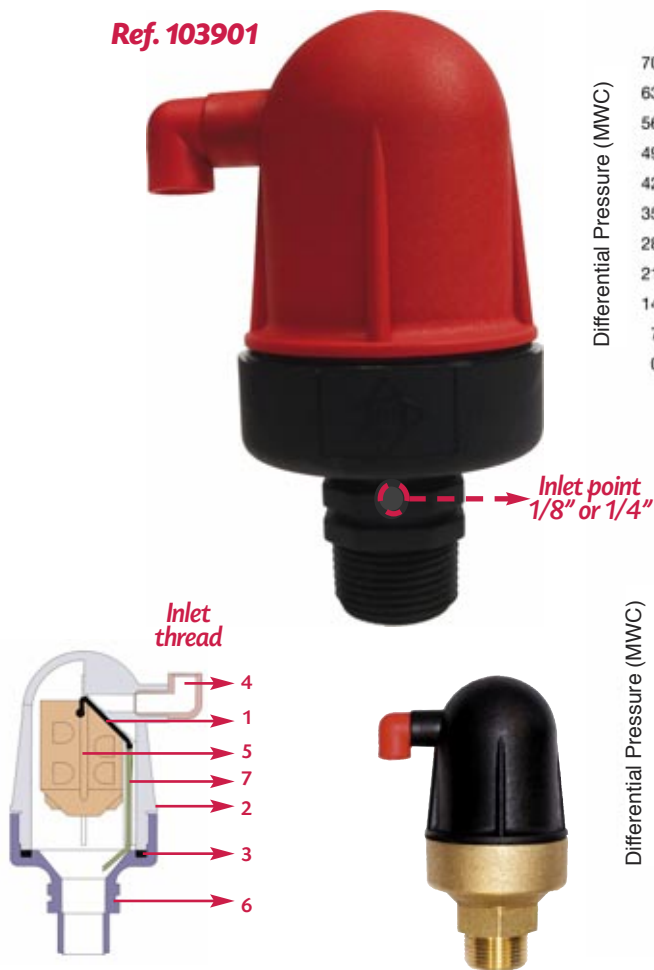
Ref. 103923: 3/4" SIMPLE BRASS

Ref. 103925: 1" SIMPLE BRASS



VYR-39 Tri-functional

Ref. 103901



VYR-39 TRI-FUNCTIONAL · Air release valves

GENERAL PROPERTIES:

- Double or triple action kinetic air valves to extract and impel air from and into irrigation systems.
- Made of nylon 6.6 and reinforced with 30% fiberglass. Rubber closure gasket and polystyrene float.
- Operating range of 0.5 to 16 BAR (7 - 230 PSI)
- Continuous operation.
- Extracts more than 500 m³/h of air on filling the installation, without the valve closing through absence of air.
- Extraction of more than 45 m³/H (58 PSI). of air in installations with hydraulic pressures of 0,4 BAR (7 PSI).
- **It extracts** the air from the installation while the pipelines are filling. When the water reaches the inside of the valve, the float rises and closes the discharge outlet.
- **It provides** automatic control, eliminating any residual air pockets from reaching the valve. This causes the float to drop, partially or totally opening the discharge outlet. The system pressure does not prevent this function from being carried out. (ONLY IN TRIPLE FUNCTION VALVES).

- **It prevents** the pipes from collapsing due to pressure decrease when the system is emptied. As the system is being emptied, the float drops and opens the seal, allowing air to enter the pipe.
- Exhaust outlet of air with "revolving elbow" thread of 1/8" female.
- Protection grille to prevent insects entering the valve and consequent float blockage.

APPLICATIONS:

- Agricultural installations, professional landscaping of all types and industrial use.

MODELS:

- Ref. 103900: 3/4" TRIPLE, 0,5-6 BAR (LOW PRESSURE)
- Ref. 103901: 1" TRIPLE, 0,5-6 BAR (LOW PRESSURE)
- Ref. 103920: 3/4" TRIPLE BRASS, 0,5-6 BAR (LOW PRESSURE)
- Ref. 103921: 1" TRIPLE BRASS, 0,5-6 BAR (LOW PRESSURE)

- Ref. 103960: 3/4" TRIPLE, 2-16 BAR (HI PRESSURE)
- Ref. 103961: 1" TRIPLE, 2-16 BAR (HI PRESSURE)
- Ref. 103970: 3/4" TRIPLE BRASS, 2-16 BAR (HI PRESSURE)
- Ref. 103971: 1" TRIPLE BRASS, 2-16 BAR (HI PRESSURE)

VYR-39

Tri-functional 2"



Ref. 103922



Ref. 103902

Inlet point
1/8" or 1/4"



VYR-39 TRI-FUNCTIONAL · Air release valves

GENERAL PROPERTIES:

- Double or triple action kinetic air valves to extract and impel air from and into irrigation systems.
- Operating range of 0.5 to 16 BAR (7 - 230 PSI)
- Continuous operation and automatic effect.
- Extracts more than 1000 m³/H (4.400 GPM) of air on filling the installation, without the valve closing through absence of air.
- Extraction of more than 200 m³/H (880 GPM) of air in installations with hydraulic pressures of 0,3 BAR (4,5 PSI).
- **It provides** the air from the installation while the pipelines are filling. When the water reaches the inside of the valve, the float rises and closes the discharge outlet.
- **It provides** automatic control, eliminating any residual air pockets from reaching the valve. This causes the float to drop, partially or totally opening the discharge outlet. The system pressure does not prevent this function from being carried out. (ONLY IN TRIPLE FUNCTION VALVES).
- **It prevents** the pipes from collapsing due to pressure decrease when the system is emptied. As the system is being emptied, the float drops and opens the seal, allowing air to enter the pipe.
- Exit air outlet with full turn.
- Protection grille to prevent insects entering the valve and consequent float blockage.

TECHNICAL SPECIFICATIONS:

- Made of nylon 6.6 and reinforced with 30% fiberglass.
- Sealing gasket, rubber and polystyrene float.
- Male thread 2" BSP or NPT.
- Swivel female elbow with 1/2" thread and anti-insects inner screen.

APPLICATIONS:

- Drip irrigation systems, sprinkler irrigation systems and industry.

MEASUREMENTS:

- Height: 25 cm
- Width: 10 cm
- Weight: 860 g and 1250 g (brass base)
- Units per box: 10

MODELS:

- Ref. 103902: 2" TRIPLE, 0,5-6 BAR (LOW PRESSURE)
- Ref. 103922: 2" TRIPLE BRASS, 0,5-6 BAR (LOW PRESSURE)
- Ref. 103952: 2" TRIPLE, 2-16 BAR (HI PRESSURE)
- Ref. 103972: 2" TRIPLE BRASS, 2-16 BAR (HI PRESSURE)

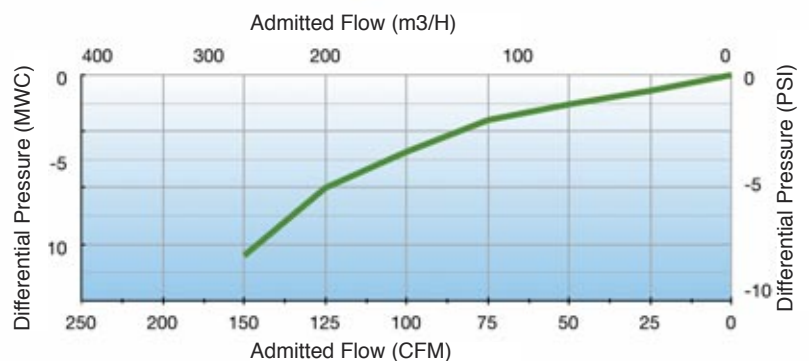
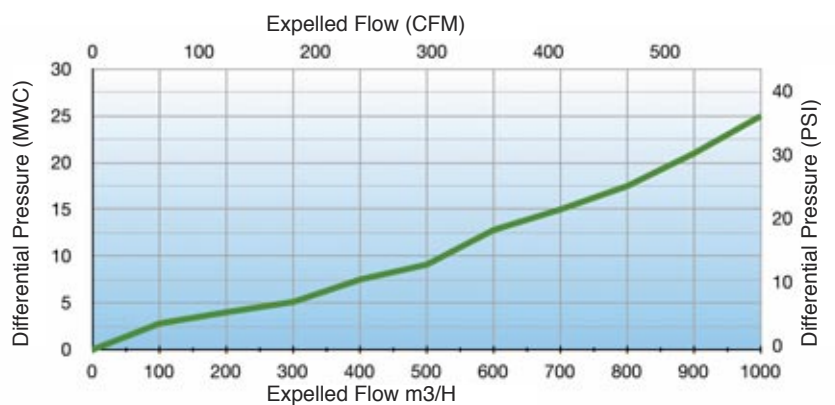
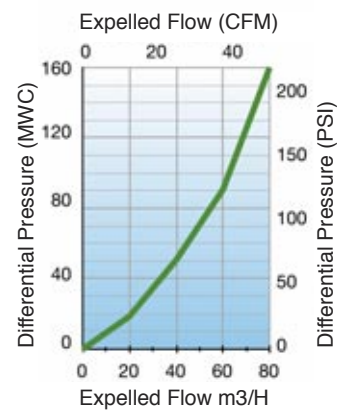


The VYR-39 Tri-Functional valve is designed to withstand the most stringent working conditions and efficiently expel the accumulated air in hydraulic network pipes.

The materials with which it is manufactured are resistant to exterior pressures of up to 16 BAR / 230 PSI. The double closing of static and dynamic membrane manufactured in EPDM achieve a perfect closing of the camera thus avoiding leakage of liquid.

For proper operation, it is essential to have a correct vertical installation and a minimum cleaning maintenance in case there is no previous filtering.

It is recommended the installation of a ball valve coupled to the VYR-39 valve to facilitate the maintenance of this.



Black Membrane:
0,5-6 BAR / 4,5-87 PSI

White Membrane:
2-16 BAR / 15-230 PSI





Coverage systems

AGRO-STAND, AGRO-FLAT, AGRO-PIPE, AGRO-RAIN

Agro-Stand

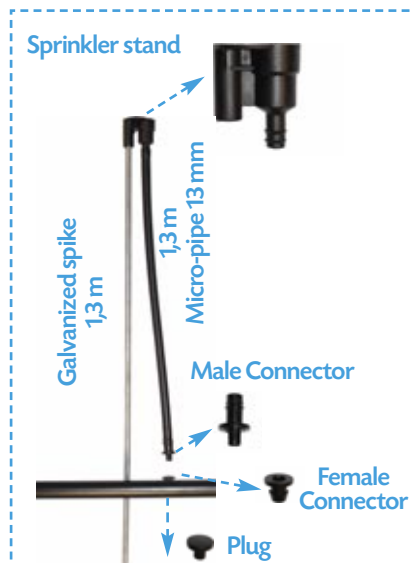
Complete Set AgroStand



Flexible anti-blending pipe GreenFlex



Easy quick anti-drip connectors



AGRO-STAND · Low flow quick-coupling with PE pipe

GENERAL PROPERTIES:

- Agro-Stand 1/2" sprinkler stand system.
- 1.3 meters height, to be 30-40 cm stuck into the ground.
- Made of special plastics PVC & POM.
- Security pipe-lock for a save fasten.
- Working pressure from 0-6 BAR.

APLICACIONES:

- AG farms, green-houses, industrial mobile systems.

MODELS:

Ref. 102670: AGRO-STAND: sprinkler stand + 1.3 m pipe 13 mm + male & female fitting.

Ref. 102675: Triple spike stand to 1/2" + 30 cm tube 13 mm + male-female connectors.

Ref. 102630: Sprinkler Stand base..

Ref. 102672: Self-compensating valve.

Ref. 102620: Male connector thread-barbed 10 mm

Ref. 102610: Male connector thread-barbed 10 mm

Ref. 102600: Plug.

Ref. 102641: Galvanized steel spike 1.2 m for Agro-Stand (revited).

Ref. 102672: Kit: sprinkler coupler + 1.3 m pipe 13 mm + male & female fitting.

Ref. 102680: Kit: sprinkler coupler + 0.9 m pipe 13 mm + 1.3 m steel spike + male & fem. connect.

Ref. 102682: Kit: sprinkler coupler + 0.9 m pipe 13 mm + 0.9 galv. spike + male & female connector

Ref. 102652: Micro-pipe roll of 100 m (ANTI-FLAT).

Ref. 102643: Micro-tubo de 1,3 metros de 13 mm anti-pinzamiento.

Ref. 496619: Pipe Cutter Tool (10-20 mm).

Ref. 103120: Eyelet hole punch Tool 10 mm MANUAL (PE low density).

Ref. 103130: Eyelet hole punch Tool 10 mm AUTO "Cut-turn-place".

Ref. 496619: Pipe cutter tool (10-20 mm).



Ref. 103130

Ref. 496619

Ref. 103120

Agro-Flat



Contact our technical department for the development of custom projects with our HYDRO-CAD software

Ref. 103140

AGRO-FLAT · Low flow coverage with flat hose

GENERAL PROPERTIES:

- Secondary lines feeding system with super resistant flat hose with internal membrane PN-10.
- Easy system to collect and store by winding the hose on itself.
- Quick and safe to connect branch outlets.

MODELS:

TOOLS AND ACCESSORIES:

Ref. 103150: Express socket for flat pipe, for 13 mm pipe

Ref. 103140: 13 mm cutting tool for flat pipe.

PIPES:

Ref. 102755: Lay-Flat hose AGRO-FLAT of 50 mm, 8 BAR, 100 m

Ref. 102775: Lay-Flat hose AGRO-FLAT of 75 mm, 8 BAR, 100 m

Ref. 102790: Lay-Flat hose AGRO-FLAT of 90 mm, 8 BAR, 100 m

Ref. 102791: Lay-Flat hose AGRO-FLAT of 110 mm, 8 BAR, 100 m

RACORS:

Ref. 102710: Reduced racord AGRO-FLAT of 50 mm - 75 mm

Ref. 102711: Reduced racord AGRO-FLAT of 75 mm - 90 mm

Ref. 102712: Reduced racord AGRO-FLAT of 90 mm - 100 mm

Ref. 102715: Stright union racord AGRO-FLAT of 50 mm

Ref. 102716: Stright union racord AGRO-FLAT of 75 mm

Ref. 102717: Stright union racord AGRO-FLAT of 100 mm

Ref. 102720: Straight union threaded racord AGRO-FLAT of 50 mm a 1 1/2"

Ref. 102721: Straight union threaded racord AGRO-FLAT of 50 mm a 2"

Ref. 102722: Straight union threaded racord AGRO-FLAT of 75 mm a 3"

Ref. 102725: End Plug AGRO-FLAT of 50 mm

Ref. 102726: End Plug AGRO-FLAT of 75 mm

Ref. 102727: End Plug AGRO-FLAT of 100 mm



Agro-Pipe

AGRO-PIPE · Aluminum Pipe Coverage system

Contact our technical department for the development of custom projects with our HYDRO-CAD software.

GENERAL PROPERTIES:

- Irrigation coverage pipe systems of extrusion aluminum pipes with different coupling systems for quick-mounting hydraulic supply.
- All pipes are available in lengths of 3, 6, 9 and 12 m in diameter in different sizes.
- Quick and easy to assemble. Very light and resistant at the same time.
- Operating range of 0 to 10 BAR
- Made of special aluminum alloys and certified for different utilities.
- Evacuation of more than 500 m³/h of air during the filling of the installation occurs without closing the valve in the absence of air.

APPLICATIONS:

- Agriculture, mining, construction, forestry, water and services.

MODELS:

PIPES WITH BAYONET COUPLING H (NO OUTLET)

- Ref. TCMH-503: COVERAG. Pipe of 3 m with bayonet H record of 50 mm (1 1/2").
- Ref. TCMH-506: COVERAG. Pipe of 6 m with bayonet H record of 50 mm (1 1/2").
- Ref. TCMH-509: COVERAG. Pipe of 9 m with bayonet H record of 50 mm (1 1/2").
- Ref. TGHS-23: Pipe of 3 m of 2" bayonet.
- Ref. TGHS-26: Pipe of 6 m of 2" bayonet.
- Ref. TGHS-33: Pipe of 3 m of 3" bayonet.
- Ref. TGHS-36: Pipe of 6 m of 3" bayonet.
- Ref. TGHS-43: Pipe of 3 m of 4" bayonet.
- Ref. TGHS-46: Pipe of 6 m of 4" bayonet.



PIPES WITH HOOK COUPLING (NO OUTLET)

- Ref. TRUS-23: Pipe of 3 m with 2" hook record.
- Ref. TRUS-33: Pipe of 3 m with 3" hook record.
- Ref. TRUS-43: Pipe of 3 m with 4" hook record.
- Ref. TRUS-63: Pipe of 3 m with 6" hook record.
- Ref. TRUS-26: Pipe of 6 m with 2" hook record.
- Ref. TRUS-36: Pipe of 6 m with 3" hook record.
- Ref. TRUS-46: Pipe of 6 m with 4" hook record.
- Ref. TRUS-66: Pipe of 6 m with 6" hook record.



PIPES WITH BAUER COUPLING (NO OUTLET)

- Ref. TPS-503: Pipe of 3 m of 50 mm
- Ref. TPS-703: Pipe of 3 m of 70 mm
- Ref. TPS-903: Pipe of 3 m of 90 mm
- Ref. TPS-113: Pipe of 3 m of 110 mm
- Ref. TPS-506: Pipe of 6 m of 50 mm
- Ref. TPS-706: Pipe of 6 m of 70 mm
- Ref. TPS-906: Pipe of 6 m of 90 mm
- Ref. TPS-116: Pipe of 6 m of 110 mm



SPRINKLER STANDS (stabilizer plate included)

- Ref. TMHR-50: Sprinkler-stand for ø 50 H with fematle thread 3/4"
- Ref. TEMH-51: Sprinkler-stand for ø 50 H with raiser of 0.5 m
- Ref. TEMH-52: Sprinkler-stand for ø 50 H with raiser of 0.75 m
- Ref. TEMH-53: Sprinkler-stand for ø 50 H with raiser of 1.25 m
- Ref. TEMH-54: Sprinkler-stand for ø 50 H with raiser of 2 m
- Ref. TEMH-60: Sprinkler-stand for ø 63 H with fematle thread 3/4"
- Ref. TEMH-61: Sprinkler-stand for ø 63 H with raiser of 0.5 m
- Ref. TEMH-62: Sprinkler-stand for ø 63 H with raiser of 0.75 m
- Ref. TEMH-63: Sprinkler-stand for ø 63 H with raiser of 1.25 m
- Ref. TEMH-64: Sprinkler-stand for ø 63 H with raiser of 2 m





RAISER EXTENSIONS

- Ref. CA-3405: Raiser of 0.5 m 3/4" H - 3/4" M
- Ref. CA-3410: Raiser of 1 m 3/4" H - 3/4" M
- Ref. CA-3415: Raiser of 1.5 m 3/4" H - 3/4" M
- Ref. CA-3420: Raiser of 2 m 3/4" H - 3/4" M



RACORDS

- Ref. AHRM-50: Adapt. male thread - pipe 50 mm (H).
- Ref. HRGH-2: Adapt. male thread - pipe 2" (H).
- Ref. HRGH-3: Adapt. male thread - pipe 3" (H).
- Ref. HRGH-4: Adapt. male thread - pipe 4" (H).
- Ref. HBGH-2: Adapt. flanged 2" - pipe 2" (H).
- Ref. HBGH-3: Adapt. flanged 3" - pipe 3" (H).
- Ref. HBGH-4: Adapt. flanged 4" - pipe 4" (H).
- Ref. AMBU-2: Adapt. flanged 2" - pipe 2" (hook).
- Ref. AMBU-3: Adapt. flanged 3" - pipe 3" (hook).
- Ref. AMBU-4: Adapt. flanged 4" - pipe 4" (hook).



ELBOWS

- Ref. CU-2: Elbow 90° hook 2"
- Ref. CU-3: Elbow 90° hook 3"
- Ref. CU-4: Elbow 90° hook 4"
- Ref. CCU-2: Elbow 45° hook 2"
- Ref. CCU-3: Elbow 45° hook 3"
- Ref. CCU-4: Elbow 45° hook 4"



THREADED CROSS

- Ref. CRRU-21: T 2" side thread 1 1/2" M (hook).
- Ref. CRRU-31: T 3" side thread 1 1/2" M (hook).
- Ref. CRRU-41: T 4" side thread 1 1/2" M (hook).



PLUGS

- Ref. TFC-50: End line plug 1 1/2" (H).
- Ref. TGH-2: End line plug 2" (H).
- Ref. TU-2: End line plug 2" (hook).
- Ref. TU-3: End line plug 3" (hook).
- Ref. TU-4: End line plug 4" (hook).



BALL VALVES

- Ref. 103204: Brass ball valve of 1 1/2"
- Ref. 103205: Brass ball valve of 2"
- Ref. 103207: Brass ball valve of 3"

- Ref. 103214: Plastic ball valve of 1 1/2"
- Ref. 103215: Plastic ball valve of 2"



HYDRANTS

- Ref. CMH-3: Elbow wheel hydrant 3" (hook)
- Ref. CMH-4: Elbow wheel hydrant 4" (hook)
- Ref. HALB-3: Hydr. Valv. 3" brida.
- Ref. HALB-4: Hydr. Valv. 4" brida.
- Ref. VHLU-3: Hydr. Valv. 3" línea (hook).
- Ref. VHLU-4: Hydr. Valv. 4" línea (hook).
- Ref. TMH-32: Hydr. Valv. 3"+ 2 x 2" T (hook).
- Ref. TMH-33: Hydr. Valv. 3" T (hook).
- Ref. TMH-44: Hydr. Valv. 4" T (hook).



CROSS

- Ref. CR-2: Cross 50 mm pipe bayonet.
- Ref. CR-2: Cross 2" pipe bayonet.
- Ref. CRU-2: Cross 2" pipe hook.
- Ref. CRU-3: Cross 3" pipe hook.
- Ref. CRU-4: Cross 4" pipe hook.



HOSE ADAPTERS

- Ref. AHM-2: Hook female adapt. 2" for hose.
- Ref. AHM-3: Hook female adapt. 3" for hose.
- Ref. AHM-4: Hook female adapt. 4" for hose.
- Ref. AMM-2: Hook male adapt. 2" for hose.
- Ref. AMM-3: Hook male adapt. 3" for hose.
- Ref. AMM-4: Hook male adapt. 4" for hose.

END T

- Ref. TF-2: End T 2" of H.
- Ref. TF-3: End T 3" of H.
- Ref. TF-4: End T 4" of H.
- Ref. TFU-2: End T 2" of hook.
- Ref. TFU-3: End T 3" of hook.
- Ref. TFU-4: End T 4" of hook.



Agro-Rain

Contact our technical department for the development of custom projects with our HYDRO-CAD software.

PVC LATERAL OUTLETS

Pipe connections



GENERAL PROPERTIES:

- Connection system for mounting PEHD pipe high density on secondary PVC pipes.
- Output 1" female with reinforcement ring in stainless steel.
- High sealing bilabials gaskets.
- Operating Range 0 to 10 BAR

MODELS:

Ref. 693010: T outlet 1" H for pipe PVC of 63

Ref. 693012: T outlet 1" H for pipe PVC of 75

Ref. 693020: T outlet 1" H for pipe PVC of 90

PIPE SADDLES

Pipe connections



MODELS:

PLASTIC (PPR & stainless screws INOX 305)

Ref. 108901: Pipe saddles of 32 mm with outlet 1/2"

Ref. 108902: Pipe saddles of 32 mm with outlet 3/4"

Ref. 108903: Pipe saddles of 63 mm with outlet 3/4"

Ref. 108904: Pipe saddles of 63 mm with outlet 1"

Ref. 108905: Pipe saddles of 75 mm with outlet 1"

Ref. 108906: Pipe saddles of 90 mm with outlet 1 1/2"

Ref. 108907: Pipe saddles of 110 mm with outlet 2"

Ref. 108908: Pipe saddles of 140 mm with outlet 2"

METAL (ductil casting & stainless screws INOX 305)

Ref. 108911: Pipe saddles of 32 mm with outlet 1/2"

Ref. 108912: Pipe saddles of 32 mm with outlet 3/4"

Ref. 108913: Pipe saddles of 63 mm with outlet 3/4"

Ref. 108914: Pipe saddles of 63 mm with outlet 1"

Ref. 108915: Pipe saddles of 75 mm with outlet 1"

Ref. 108916: Pipe saddles of 90 mm with outlet 1 1/2"

Ref. 108917: Pipe saddles of 110 mm with outlet 2"

Ref. 108918: Pipe saddles of 140 mm with outlet 2"

AGRO-RAIN · Connectors for Solid Set System HDPE

GENERAL PROPERTIES:

- Connection system and branches for high density PE Ø 32 piping systems.
- High security and anti-drip claw system.
- Manufactured in certified brass according to UNE regulations.
- Operating range from 0 to 16 BAR
- High precision machining.

MODELS:

CONNECTORS FOR SOLID SET HDPE-32 mm

Ref. 107901: ELBOW 32 mm EXPRESS - 32mm EXPRESS

Ref. 107902: ELBOW 32 mm EXPRESS - 1" M

Ref. 107903: ELBOW 32 mm EXPRESS - 3/4" H

Ref. 107911: T TRIPLE BARBED 32 mm

Ref. 107912: T 2 EXPRESS 32 mm x 1" M

Ref. 107913: T 2 EXPRESS 32 mm x 3/4" H

Ref. 107921: COUPLER EXPRESS 32 mm x 32 mm

Ref. 107923: COUPLER EXPRESS 32 mm x 1" MALE

Ref. 107922: COUPLER EXPRESS 32 mm x 3/4" FEMALE

Ref. 107930: EXPRESS PLUG 32 mm

Ref. 107918: CROSS 32 mm EXPRESS x 4

Ref. 107919: CROSS 32 mm EXPRESS x 3 - 1" M

Ref. 107952: T 2 EXPRESS 32 mm x 3/4" H + galv. pipe 2 m (ASSEMBLED).

Ref. 107962: ELBOW 32 mm EXPRESS - 3/4" H + galv. pipe 2 m (ASSEMBLED).

Ref. 107951: T 2 EXPRESS 32 mm x 3/4" H + galv. pipe 3 m (ASSEMBLED).

Ref. 107961: ELBOW 32 mm EXPRESS - 3/4" H + galv. pipe 3 m (ASSEMBLED).

Ref. 107955: T 2 EXPRESS 32 mm x 3/4" H + galv. pipe 2+1 m with coupler (ASSEMBLED).

Ref. 107956: ELBOW EXPRESS 32 mm - 3/4" H + tubo galv. 2+1 m with coupler (ASSEMBLED).

Ref. 107952: 1,2 m PELD cover for raisers of 3/4"

Ref. 107959: 3/4" female SLEEVE coupler of galvanized steel.

Ref. 107981: 1 m galvanized steel pipe DIN-2440 special for underground coverage.

Ref. 107982: 2 m galvanized steel pipe DIN-2440 special for underground coverage.

Ref. 107983: 3 m galvanized steel pipe DIN-2440 special for underground coverage.







Accessories

CONNECTOR AND RECORDS

- CONNECTORSPg. 202
- MODULAR MANIFOLDSPg. 204
- HOSE COUPLERSPg. 205
- CLAMPSPg. 207

HOSE NOZZLES

- VYR-102Pg. 208

BALL VALVES

- VYR-17 / VYR-30 ARTICPg. 209
- VYR-32Pg. 210
- VYR-3 / VYR-32Pg. 211

SPRINKLERS STANDS

- VYR-87 SLEDS & TRIPODSPg. 212
- SPIKES & BASESPg. 213
- HOSES AND ACCESORIESPg. 214

Threaded and barbed coupling



Ref. 105608



Ref. 105600



Ref. 105801



Ref. 105831



Ref. 105802



Ref. 103841



Ref. 103821



Ref. 103831



Ref. 103850



Ref. 103847

THREADED & BARBED COUPLING · Fittings, couplings and connections

MODELS:

PLASTIC

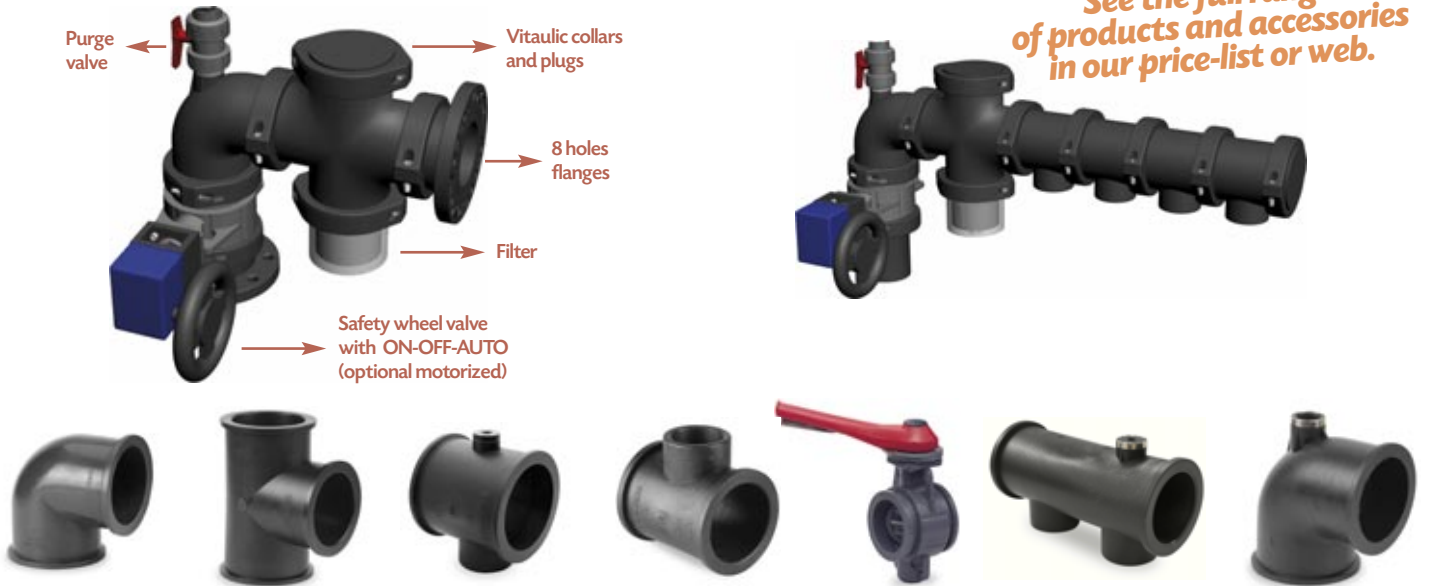
- Ref. 105801: MALE COUPLER 1/2" - 1/2"
- Ref. 105802: MALE COUPLER 3/4" - 3/4"
- Ref. 105803: MALE COUPLER 1" - 1"
- Ref. 105804: MALE COUPLER 1 1/2" - 1 1/2"
- Ref. 105805: MALE COUPLER 2" - 2"
- Ref. 105811: SLEEVE 1/2" - 1/2"
- Ref. 105812: SLEEVE 3/4" - 3/4"
- Ref. 105608: SPRINKLER SLEEVE 3/4" - 3/4"
- Ref. 105813: SLEEVE 1" - 1"
- Ref. 105814: SLEEVE 1 1/2" - 1 1/2"
- Ref. 105815: SLEEVE 2" - 2"
- Ref. 105821: REDUCER MALE COUPLER 1/2" - 3/4"
- Ref. 105822: REDUCER MALE COUPLER 3/4" - 1"
- Ref. 105823: REDUCER MALE COUPLER 1 1/2" - 1"
- Ref. 105831: REDUCER NUT 3/4" M - 1/2" F
- Ref. 105832: REDUCER NUT 1" M - 3/4" F
- Ref. 105833: REDUCER NUT 2" M - 1 1/2" F
- Ref. 105600: FEMALE REDUCER COUPLER 3/4" F - 1" F
- Ref. 105841: FEMALE REDUCER COUPLER 3/4" F - 1/2" F
- Ref. 105842: FEMALE REDUCER COUPLER 1" F - 3/4" F
- Ref. 105843: FEMALE REDUCER COUPLER 2" F - 1 1/2" F
- Ref. 105871: PLUG 1/2" - 1/2" M
- Ref. 105872: PLUG 3/4" - 3/4" M
- Ref. 105873: PLUG 1" - 1" M
- Ref. 105874: PLUG 1" - 1" F

BRASS

- Ref. 103801: MALE COUPLER 1/2" - 1/2"
- Ref. 103802: MALE COUPLER 3/4" - 3/4"
- Ref. 103803: MALE COUPLER 1" - 1"
- Ref. 103804: MALE COUPLER 1 1/2" - 1 1/2"
- Ref. 103805: MALE COUPLER 2" - 2"
- Ref. 103821: REDUCER MALE COUPLER 1/2" - 3/4"
- Ref. 103822: REDUCER MALE COUPLER 3/4" - 1"
- Ref. 103823: REDUCER MALE COUPLER 1 1/2" - 2"
- Ref. 103824: REDUCER MALE COUPLER 2 1/2" - 2"
- Ref. 103825: REDUCER MALE COUPLER 2 1/2" - 3"
- Ref. 103831: REDUCER NUT 3/4" M - 1/2" H
- Ref. 103832: REDUCER NUT 1" M - 3/4" H
- Ref. 103833: REDUCER NUT 2" M - 1 1/2" H
- Ref. 103600: REDUCER NUT 3/4" H - 1" H
- Ref. 103841: SLEEVE COUPLER 1/2" H
- Ref. 103842: SLEEVE COUPLER 3/4" H
- Ref. 103843: SLEEVE COUPLER 1" H
- Ref. 103844: SLEEVE COUPLER 1 1/4" H
- Ref. 103845: SLEEVE COUPLER 1 1/2" H
- Ref. 103846: SLEEVE COUPLER 2" H
- Ref. 103847: SLEEVE REDUCER COUPLER 3/4" H - 1/2" H
- Ref. 103848: SLEEVE REDUCER COUPLER 1" H - 3/4" H
- Ref. 103849: SLEEVE REDUCER COUPLER 2" H - 1 1/2" H
- Ref. 103850: PLUG 1/2" M
- Ref. 103851: PLUG 3/4" M
- Ref. 103852: PLUG 1" M

VYR-6920 Manifolds AG-PPR

See the full range of products and accessories in our price-list or web.



MANIFOLDS AG-PPR VYR-6920 · Hydraulic manifolds

GENERAL PROPERTIES:

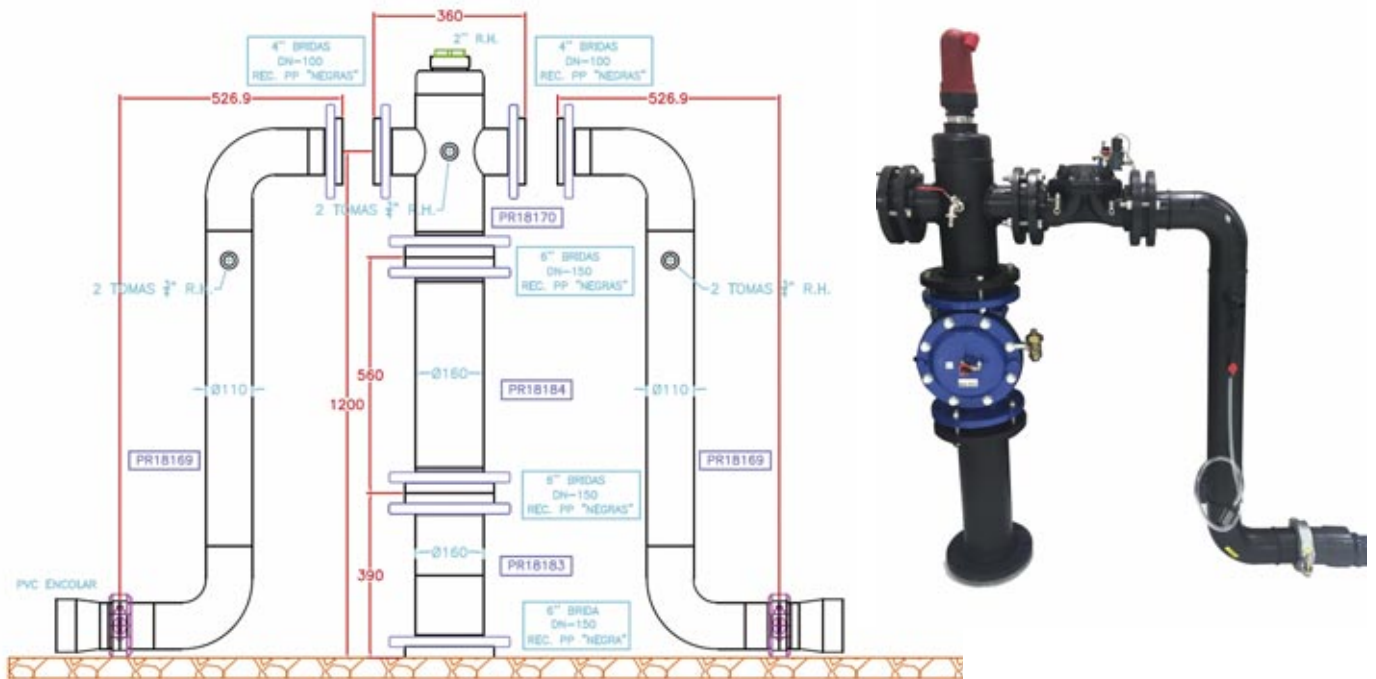
- Modular Plastic manifolds made from high tensile strength polypropylene.
- Models in 2" and 3"
- System linkage by Victaulic flanges high security seal on APDM.

MODELS:

- Ref. 692010: T de 2"
- Ref. 692012: CROSS of 2"
- Ref. 692014: ELBOW of 2"
- Ref. 692016: 2" ELBOW with outlet 1"
- Ref. 692018: FLANGE-THREAD ADAPTER 2"
- Ref. 692020: THREAD ADAPTER 2"
- Ref. 692022: SHORT FILTER SET 2"
- Ref. 692024: LONG FILTER SET 2"
- Ref. 692026: WHEEL SECURITY VALVE 2"
- Ref. 692028: PLUG 2"
- Ref. 692030: VITAULIC ADAPTER 2"
- Ref. 693050: T 3"
- Ref. 693052: CROSS 3"
- Ref. 693054: ELBOW 3"
- Ref. 693056: 3" ELBOW with outlet 1"
- Ref. 693058: FLANGE-THREAD ADAPTER 3"
- Ref. 693060: THREAD ADAPTER 3"
- Ref. 693062: SHORT FILTER SET 3"
- Ref. 693064: LONG FILTER SET 3"
- Ref. 693066: WHEEL SECURITY VALVE 3"
- Ref. 693068: PLUG 3"
- Ref. 693070: VITAULIC ADAPTER 3"



VYR-6950 Modular Main Hydrants



MANIFOLDS AG-PPR VYR-6950 · Modular Hydrant Manifolds

GENERAL PROPERTIES:

- Modular collectors made of high strength reinforced polypropylene plastic.
- Models in 2" and 3"
- High security VITAULIC flange connection system with EPDM seal.

MODELS:

Ref. 695001: MASTER HYDRANT 4": Manifold + Security Valv. + Air-Release Valv. VYR-39 2" + Y Rock-Filter + 2 metal hydrants 3" flanged + Pres. Reg. Pilot + 2 neck downpipes swan 3"

Ref. 695002: MASTER HYDRANT 5": Manifold + Security Valv. + Air-Release Valv. VYR-39 2" + Y Rock-Filter + 2 metal hydrants 3" flanged + Pres. Reg. Pilot + 2 neck downpipes swan 3"

Ref. 695003: MASTER HYDRANT 6": Manifold + Security Valv. + Air-Release Valv. VYR-39 2" + Y Rock-Filter + 2 metal hydrants 4" flanged + Pres. Reg. Pilot + 2 neck downpipes swan 4"

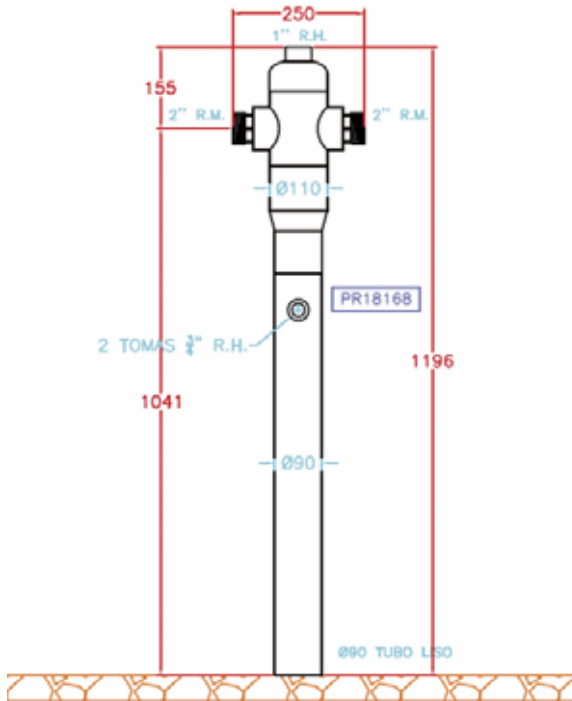
Ref. 695004: MASTER HYDRANT 8": Manifold + Security Valv. + Air-Release Valv. VYR-39 2" + Y Rock-Filter + 2 metal hydrants 4" flanged + Pres. Reg. Pilot + 2 neck downpipes swan 4"

Ref. 695005: MASTER HYDRANT 8": Manifold + Security Valv. + Air-Release Valv. VYR-39 2" + Y Rock-Filter + 2 metal hydrants 6" flanged + Pres. Reg. Pilot + 2 neck downpipes swan 6"

Ref. 695006: MASTER HYDRANT 10": Manifold + Valv. + Security Air-Release Valv. VYR-39 2" + Y Rock-Filter + 2 metal hydrants 6" flanged + Pres. Reg. Pilot + 2 neck downpipes swan 6"

Ref. 695007: MASTER HYDRANT 12": Manifold + Security Valv. + Air-Release Valv. VYR-39 2" + Y Rock-Filter + 2 metal hydrants 8" flanged + Pres. Reg. Pilot + 2 neck downpipes swan 8"

VYR-6940 Modular Sector Hydrants



MANIFOLDS AG-PPR VYR-6940 · Modular Hydrant Manifolds

GENERAL PROPERTIES:

- Modular collectors made of high strength reinforced polypropylene plastic.
- Models in 2" and 3"
- High security VITAULIC flange connection system with EPDM seal.

MODELS:

Ref. 694001: MASTER HYDRANT 1 1/2": Manifold 1 1/2" + 2 Security Valv. + Air-Release Valv. VYR-39 1" + 2 hydraulic valv. 1 1/2"

Ref. 694002: MASTER HYDRANT 2": Manifold 2" + 2 Security Valv. + Air-Release Valv. VYR-39 1" + 2 hydraulic valv. 2"

Ref. 694003: MASTER HYDRANT 3": Manifold 3" + 2 Security Valv. + Air-Release Valv. VYR-39 1" + 2 hydraulic valv. 2"

Ref. 694004: MASTER HYDRANT 3": Manifold 4" + 2 Security Valv. + Air-Release Valv. VYR-39 1" + 2 hydraulic valv. 3"

Ref. 694005: MASTER HYDRANT 4": Manifold 3" + 2 Security Valv. + Air-Release Valv. VYR-39 1" + 2 hydraulic valv. 2"

Ref. 694006: MASTER HYDRANT 6": Manifold 6" + 2 Security Valv. + Air-Release Valv. VYR-39 1" + 2 hydraulic valv. . 4"

Ref. 694007: MASTER HYDRANT 6": Manifold 6" + 2 Security Valv. + Air-Release Valv. VYR-39 1" + 2 hydraulic valv. . 6"

VYR-6 Hose quick-coupling



Ref. 100801



Ref. 100602



Ref. 100802



Ref. 100604

HOSE QUICK CONNECTOR VYR-6 · Fittings, couplings and connections

GENERAL PROPERTIES:

- It is the quickest and most secure type of coupling on the market.
- Made of brass.
- For hoses and standardised plastic or rubber tubes of diameter 15, 20 y 25 mm (INSIDE).
- On one side there is a male threaded connection of 1/2" or 3/4" (or female, if using a reducer nut).
- The special design of the barbed quick coupling connection for hoses make this connector one of the most secure on the market. Once the pipes are connected, the sharp rear-facing barbs make it almost impossible to disconnect the piping.
- Coupling gasket made out of rubber and lubricated to ensure that it is watertight.

APPLICATIONS:

- Agriculture and landscaping.
- Industrial use.
- City maintenance vehicles.
- Concrete trucks with hoses.

MEASUREMENTS:

- Height: 8, 9 y 10 cm
- Width: 3, 3,5 y 4 cm
- Weight: 150, 200 y 240 g
- Units per box: 100, 150 y 200

OPTIONS:

- Assembled with reducer nut.
- Spare gaskets.

MODELS:

Ref. 100602: 1/2" M thread for 20 mm hose.

Ref. 100603: 3/4" F thread for 20 mm hose.

Ref. 100604: 3/4" M thread for 25 mm hose.

Ref. 400605: Reducer nut 3/4" F to 1/2" F

Ref. 100801: Hose repair-coupler Ø 20 mm

Ref. 100802: Hose repair-coupler Ø 25 mm



Ref. 400605

VYR-7 Racords



Ref. 100700



Ref. 301305

VYR-7 FIXED COUPLING · Fittings, couplings and connections

GENERAL PROPERTIES:

- Made of brass.
- Hi-secured barbed connector.

MODELS:

Ref. 310300: Copling of 1/8" MALE for hose of 10 mm

Ref. 310301: Copling of 1/4" MALE for hose of 13 mm

Ref. 310302: Copling of 3/8" MALE for hose of 16 mm

Ref. 310303: Copling of 1/2" MALE for hose of 20 mm

Ref. 310304: Copling of 3/4" MALE for hose of 25 mm

Ref. 310305: Copling of 1" MALE for hose of 32 mm

Ref. 400605: Reduced nut of 3/4" FEMALE to 1/2" FEMALE



Ref. 400605



Ref. 310301

VYR-8 GeKa Racords

VYR-8 EXPRESS RACORD · Fittings, couplings and connections

GENERAL PROPERTIES:

- Fittings, fast and secure coupling for 10 BAR max.
- Brass construction.
- For standard hoses and pipes of 25 mm
- The special design of fast link connecting hose fittings make these some of the safest in the market.
- Gasket made of rubber coupling.



Ref. 100813

Ref. 100812

MODELS:

Ref. 100808: 1/2" male thread.

Ref. 100809: 1/2" female thread.

Ref. 100807: 1/2" barb hose (13 mm).

Ref. 100815: 3/4" male thread.

Ref. 100814: 3/4" female thread.

Ref. 100810: 3/4" barb hose (19 mm).

Ref. 100813: 1" male thread.

Ref. 100812: 1" female thread.

Ref. 100811: 1" barb hose (25 mm).

Ref. 100818: 1 1/4" male thread.

Ref. 100817: 1 1/4" female thread.

Ref. 100816: 1 1/4" barb hose (32 mm).

Ref. 100821: End plug.

Ref. 100822: Sealing Ring Hi-Performance.

VYR-9 Hose clamps



Ref. 100900

VYR-9 ADJUSTABLE HOSE CLAMPS · Hose clamp

GENERAL PROPERTIES:

- An adjustable hose clamp is used to securely attach a hose onto a fitting.
- Made of stainless steel.
- Worm screw for adjustment with a screwdriver.

MODELS:

- Ref. 100900: 6-13 mm
- Ref. 100901: 11-20 mm
- Ref. 100902: 18-32 mm
- Ref. 100903: 27-51 mm
- Ref. 100904: 46-70 mm

VYR-102 Hose spray-nozzle

VYR-102 ADJUSTABLE SPRAY-NOZZLE · Spray nozzles

GENERAL PROPERTIES:

- Same characteristics as model VYR-101, but made of brass.
- Adjustable from a light rain to a powerful jet.
- Total closure.
- Valid for any standard hose diameter.

MODELS:

- Ref. 101020: Female thread 3/4" without connector.
- Ref. 101021: With connection 15/20 mm
- Ref. 101022: Spray nozzle M reg. quick-connector.

Ref. 101021



Ref. 101020

VYR-10 Hose fixed jet-nozzle

VYR-10 SPRAY NOZZLE · Spray nozzles

GENERAL PROPERTIES:

- Fixed jet spray nozzles.
- Made of brass.

MODELOS:

- Ref. 101001: Hose \varnothing 20 mm
- Ref. 101002: Hose \varnothing 25 mm



Ref. 101002

Ref. 101001

VYR-17 Brass bibcocks with swivel elbow



Ref. 101700

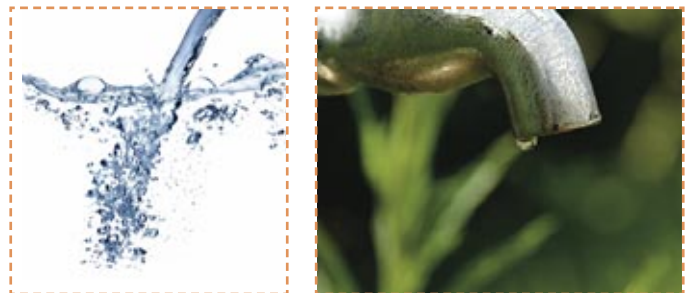
VYR-17 BRASS BIBCOCK WITH ROTATING POUT ELBOW · Valves and accessories

GENERAL PROPERTIES:

- Ball tap valve for stopping the water flow.
- Opening of the lever is REVERSED to facilitate the rotation of elbow.
- Teflon seals and swivel elbow.
- Made of hot stamped brass.
- 1" male connection.
- Outlet for connection to 1/2" female.
- Facilitates the movement of the hose.

MODELS:

Ref. 101700: Bibcock 1" with elbow 1/2"



VYR-30 Frost protection ball-valve

VYR-30 BALL-VALVE - PN20 · Plastic for high pressure and low temperatures

GENERAL PROPERTIES:

- Special valve for high pressures and frost conditions which may cause bursting and blockage of this type of valve.
- Made of nylon 6.6 and a high percentage of fibreglass.
- Stainless steel ball and fluoropolymer seals.
- Hot stamped brass reinforcements on the plastic injected piece to reinforce the different parts of the valve.

MODELS:

Ref. 103010: 1/2"
 Ref. 103011: 3/4"
 Ref. 103012: 1"



-25 °C

THREAD ISO 228/1

VYR-32 Ball valves



Ref. 103212

VYR-32 · Brass and plastic ball valves - PN20

GENERAL PROPERTIES:

- Brass and plastic valves for installation and connection of pipes and hoses.
- Made of nickel-plated brass or plastic with hot stamped brass reinforcements on the injected piece to reinforce the different parts of the valve.
- Stainless steel ball and fluoropolymer seals.
- Output with 1/2" or 3/4" female thread.
- Models available with latch lock.

MODELS:

BRASS

- Ref. 103200: 1/2"
- Ref. 103201: 3/4"
- Ref. 103202: 1"
- Ref. 103203: 1 1/4"
- Ref. 103204: 1 1/2"
- Ref. 103205: 2"
- Ref. 103206: 2 1/2"
- Ref. 103207: 3"
- Ref. 103208: 4"

NYLON PLASTIC

- Ref. 103210: 1/2"
- Ref. 103211: 3/4"
- Ref. 103212: 1"
- Ref. 103213: 1 1/4"
- Ref. 103214: 1 1/2"
- Ref. 103215: 2"

VYR-32 HF Ball valves HF

VYR-32 HF · Ball Valves - PN10

GENERAL PROPERTIES:

- Plastic faucet valves for installation in collectors, pipes and connection to hoses.
- Made of plastic with reinforcements to reinforce the different parts of the valve.
- Technical plastic ball and Teflon gaskets.

MODELS:

- Ref. VP-25: 1" plastic.
- Ref. VP-40: 1 1/2" plastic.
- Ref. VP-50: 2" plastic.
- Ref. VP-63: 2 1/2" plastic.
- Ref. VP-75: 3" plastic.

Ref. 103251



VYR-32 DA - Double Axle

VYR-32 DA · Double Axle Ball Valve- PN16

GENERAL PROPERTIES:

- Brass and steel faucet valves for installation in collectors, pipes, irrigation coverages and connection to hoses.
- Made of nickel-plated brass
- Stainless steel ball and Teflon joints.
- Output with 1 1/2" or 2" female thread.

MODELS:

- Ref. 103264: 1 1/2" brass double axle.
 Ref. 103265: 2" brass double axle.



Ref. 103264

VYR-31 Ball Taps



Ref. 103101



Ref. 103110

VYR-31 · Ball-valve bibcocks - PN16

GENERAL PROPERTIES:

- Brass and plastic bibcock valves for installation in walls and hose connections.
- Made of nickel-plated brass or plastic with hot stamped brass reinforcements on the injected piece to reinforce the different parts of the valve.
- Stainless steel ball and Teflon seals.
- Outlet with 1/2" or 3/4" male thread, with quick connector adapter for hoses of 16-20 mm. Gasket included for preventing leaks.

MODELS:

- Ref. 103100: 1/2" brass.
 Ref. 103101: 3/4" brass.
 Ref. 103110: 1/2" plastic and brass.
 Ref. 103111: 3/4" plastic and brass.
 Ref. 103112: 1" plastic and brass.

Sleds VYR-87



Ref. 108700



Ref. 108701

VYR-87 · Galvanized Sled

GALVANIZED SLED VYR-87

Ref. 108700: 75 cm 3/4" M - 3/4" F

Ref. 108706: 60 cm 3/4" M - 3/4" M

Ref. 108701: 35 cm 1/2" M - 1/2" F



Tripods VYR-187

VYR-187 · Galvanized Tripod

GALVANIZED TRIPOD VYR-187

Ref. 108716: 100 cm for 1 1/4" (3 pod).

Ref. 108717: 100 cm for 1 1/2" (3 pod).

Ref. 108703: 200 cm for 2"

Ref. 108704: 250 cm for 2 1/2" (4 pod).

Ref. 108705: 250 cm for 3" (4 pod).

Ref. 108721: Conector MACHO express- rosca 1 1/4" H

Ref. 108722: Conector MACHO express- rosca 1 1/2" H

Ref. 108723: Conector MACHO express- rosca 2" H

Ref. 108724: Conector MACHO express- rosca 2 1/2" H

Ref. 108725: Conector MACHO express- rosca 3" H

Ref. 108731: Conector HEMBRA express- rosca 1 1/4" M

Ref. 108732: Conector HEMBRA express- rosca 1 1/2" M

Ref. 108733: Conector HEMBRA express- rosca 2" M

Ref. 108734: Conector HEMBRA express- rosca 2 1/2" M

Ref. 108735: Conector HEMBRA express- rosca 3" M



Ref. 108704



VYR-84 Spikes

VYR-84 · Spikes

GENERAL PROPERTIES:

- Brass, plastic and aluminum spikes.
- Outlet of 1/2" F and inlet of 3/4" F.
- Hose racord of 3/4" M for diameters 20-25 mm

MODELS:

- Ref. 108400: Brass Spike.
- Ref. 108410: Aluminum spike
- Ref. 108420: Plastic spike.

- Ref. 486803: Racord 20-25 brass.
- Ref. 486806: Racord 20-25 alumn.
- Ref. 486805: Racord 20-25 plast.



VYR-2000 Bases

VYR-2000 · Bases

GENERAL PROPERTIES:

- Aluminum base.
- Double thread outlet of 1/2" female.

MODELS:

- Ref. 120001: Base with plastic racord express + plug.
- Ref. 120011: Base with plastic racord express + express.
- Ref. 120000: Base with racord 15-20 mm + plug.
- Ref. 120010: Base with double racord 15-20 mm



VYR-324 Hoses

VYR-324 HOSES · High Resistance Hoses

Ref. 137015: Hose ø 15 mm (50 m).

Ref. 137020: Hose ø 20 mm (50 m).

Ref. 137025: Hose ø 25 mm (50 m).

Ref. 137050: Hose ø 32 mm (50 m).

Ref. 102755: Lay-flat hose AGRO-FLAT of 50 mm, 8 BAR (50 m).

Ref. 102775: Lay-flat hose AGRO-FLAT of 75 mm, 8 BAR (50 m).

Ref. 102790: Lay-flat hose AGRO-FLAT of 90 mm, 8 BAR (50 m).

Ref. 102791: Lay-flat hose AGRO-FLAT of 110 mm, 8 BAR (50 m).



VYR-78 Deflector Screen

VYR-78 · Deflector Screen

GENERAL PROPERTIES:

- Smooth deflector plate to protect roads and sides from splash of part-circle sprinklers under wind drifts.
- Made of galvanized steel with double mooring for 3/4" cane.

MODELS:

Ref. 119801: Curved deflector plate 180°

Ref. 119802: Flat deflector plate 180°

Ref. 119801



VYR-395 Automatic drainage valves

VYR-395 · Drainage valve

GENERAL PROPERTIES:

- Discharge valves for extracting water from irrigation installations during winter and maintenance.
- Installation inverted directly on the pipe.
- Discharge opening at 0.2 BAR or lower.
- Made of brass and stainless steel. Rubber closure gasket and polystyrene float.
- Operating range of 0.2 to 16 BAR
- Male thread of 1/2"

MODELS:

Ref. 103950: Drainage valve (opens at 0,2 BAR)



Ref. 103950



Filtration & Dosing Systems

FILTRATION & DOSING SYSTEM

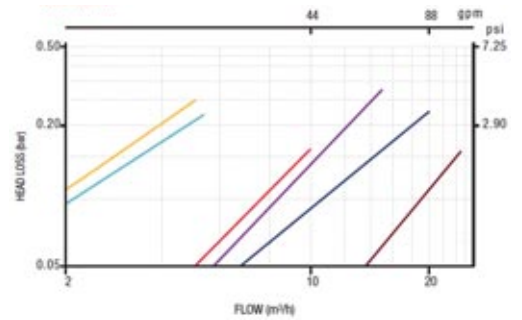
- FILTRATION.....Pág. 214

- DOSING SYSTEM.....Pág. 217

VYR-1300 Filters-Y



Ref. 130020



VYR-1300 · Low Flow Filters-Y

MODELS:

- Ref. 130020: 3/4" low flow and screen Y filter 5 m³/h 2W
- Ref. 130021: 3/4" low flow and disc Y filter 5 m³/h 2W
- Ref. 130022: 1" low flow and screen Y filter 5 m³/h 2W
- Ref. 130023: 1" low flow and disc Y filter 5 m³/h 2W



Disc

- 130 micron. (120 mesh)



Screen INOX

- 530 micron. (35 mesh)
- 200 micron. (75 mesh)
- 130 micron. (120 mesh)
- 100 micron. (150 mesh)

• Disc filter element with threaded closure for easy handling. This ensures the compression of the discs and prevents accidental loss.

• Screen filter element manufactured in plastic and stainless steel.

VYR-1350 Filters-Y

VYR-1350 · Medium Flow Filters-Y



Ref. 135024

MODELS:

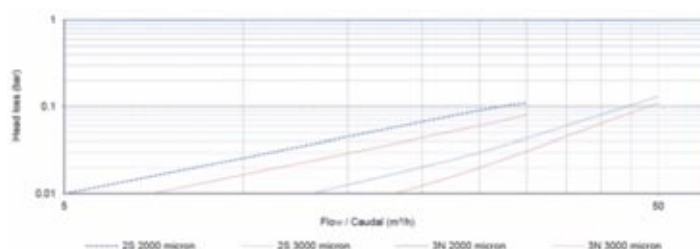
- Ref. 135024: 1 1/2" low flow Y screen filter 12 m³/h 2W + Drainage
- Ref. 135025: 1 1/2" low flow Y disc filter 12 m³/h 2W + Drainage
- Ref. 135030: 2" Y screen filter 30 m³/h 3W + Drainage
- Ref. 135031: 2" Y disc filter 30 m³/h 3W + Drainage

VYR-1400 Filters C-Inox

VYR-1400 · High Flow Filters-Y

MODELS:

- Ref. 140030: 2" modular screen filter inox. 2 mm, 30 m³/h 3W
- Ref. 140032: 3" modular screen filter inox. 2 mm, 50 m³/h 3W
- Ref. 140034: 4" modular double screen filter inox. 2 mm, 100 m³/h 3W

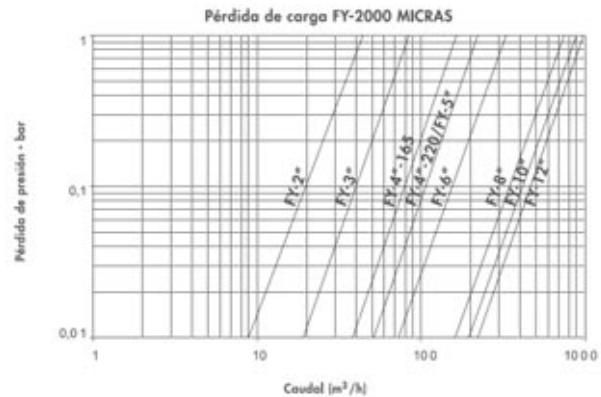


Ref. 140030



VYR-2750

Metal Rock screen filters



VYR-2750 METAL STONE-HUNTER FILTERS · Hydrants accessories

GENERAL PROPERTIES:

- The Rock-Hunter VYR-2750 filters have been explicitly designed for sprinkler installations and could prevent any entry of small rocks/stones that can cause jams in pipe or sprinkler outlets themselves.
- Carbon steel body.
- Tomas Gauge side.
- Screws bichromate, quality 5.6 and 5.8.
- Spray Cartridge: Stainless Steel AISI-304.
- Working pressure: 10 BAR
- Shot blasting surfaces to grade SA 2 1/2
- Coating with paint epoxy powder.

MODELS:

- Ref. 275002: ROCK-HUNTER filter of 2" thread.
- Ref. 275003: ROCK-HUNTER filter of 3" flanged.
- Ref. 275004: ROCK-HUNTER filter of 4" flanged.
- Ref. 275005: ROCK-HUNTER filter of 5" flanged.
- Ref. 275006: ROCK-HUNTER filter of 6" flanged.
- Ref. 275008: ROCK-HUNTER filter of 8" flanged.
- Ref. 275010: ROCK-HUNTER filter of 10" flanged.
- Ref. 275012: ROCK-HUNTER filter of 12" flanged.

VYR-490

Hydraulic dosing pump

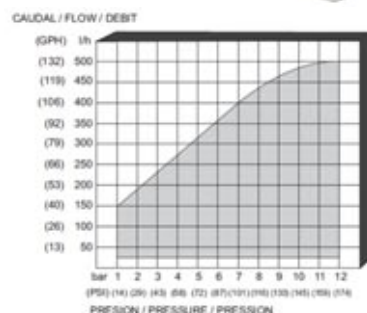
VYR-490 HYDRAULIC DOSING PUMP · Hydraulic injectors

GENERAL PROPERTIES:

- Hydraulic piston metering pumps hydraulically.
- Flow: 25 - 500 l/h for FERTIC / 25 -250 L/H for ECOFERTIC
- Pressure: 1- 12 BAR for FERTIC / 1,5 - 8 BAR for ECOFERTIC
- Made of plastic materials resistant to most chemical products used in agriculture, livestock and water treatment applications.
- Water consumption: twice injecting fertilizer.
- Materials in contact with fertilizer: P.P - FPM
- Connections: Hose coupling 20.
- Resistant to agro-chemicals.
- Weight: 3 and 2.5 kg

MODELS:

- Ref. 049008: FERTIC.
- Ref. 049012: ECO-FERTIC.



VYR-49 Ventury Injectors



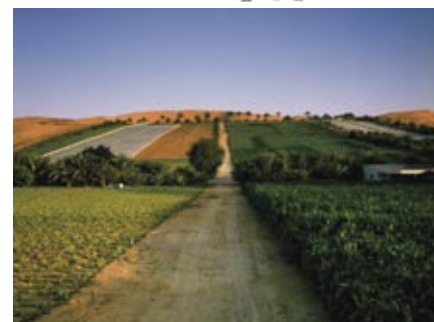
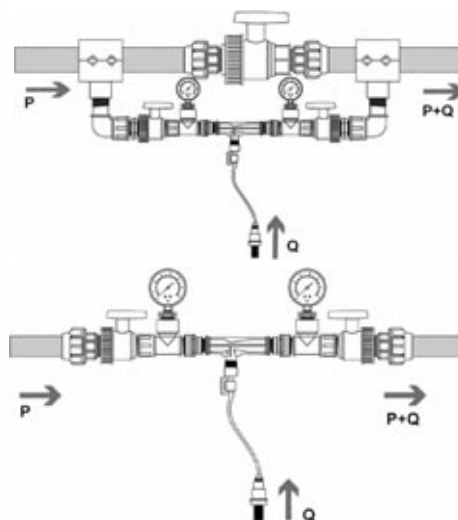
PRESIÓN		3/4"Venturi		1"Venturi		1" 1/2 Venturi		2" LF Venturi		2"Venturi	
Presión entrada BAR	Presión salida BAR	Caudal inyección L/H	Caudal aspiración L/H	Caudal inyección L/H	Caudal aspiración L/H	Caudal inyección L/H	Caudal aspiración L/H	Caudal inyección L/H	Caudal aspiración L/H	Caudal inyección L/H	Caudal aspiración L/H
1	0	828	162	3.540	460	5.700	1.020	5.820	1.020	14.400	2.320
	0,25		144		460		680		1.020		2.320
	0,5		78		315		680		910		1.950
1,5	0	1.056	160	4.020	460	6.660	1.020	6.750	1.100	16.800	2.320
	0,5		138		460		1.020		1.100		2.320
	0,75		72		408		800		960		1.780
	1		42		355		408		660		1.020
2	0	1.212	157	4.500	450	7.440	1.020	7.540	1.100	18.900	2.320
	0,5		151		450		1.020		1.060		2.320
	0,75		145		450		1.020		1.020		2.320
	1		112		450		970		970		2.320
	1,25		52		340		630		700		1.780
	1,5		24		64		-		400		980
2,5	0	1.350	160	4.920	450	8.160	1.020	8.280	1.100	20.100	2.300
	0,5		157		450		1.020		1.100		2.320
	0,75		156		450		970		1.020		2.320
	1		150		408		970		1.020		2.320
	1,25		132		408		970		980		2.320
	1,5		88		408		740		720		1.720
	1,75		45		280		315		520		920
	2		-		135		-		200		450
3	0	1.482	159	5.280	440	8.880	1.020	8.990	1.060	22.500	2.320
	1		156		440		1.020		1.060		2.320
	1,25		154		395		970		1.060		2.320
	1,5		144		395		970		1.060		2.320
	1,75		99		395		950		920		1.870
	2		55		395		510		620		1.250
	2,25		-		204		160		200		780
	2,5		-		110		-		-		-
3,5	0	1.548	157	5.700	440	9.540	1.020	9.700	1.060	24.300	2.320
	1		156		440		1.020		1.060		2.320
	1,5		154		440		970		960		2.320
	1,75		152		440		970		960		2.320
	2		114		440		970		780		2.320
	2,25		79		360		710		620		1.620
	2,5		45		360		310		320		1.050
	2,75		-		235		105		-		450
4	0	1.644	157	6.000	440	10.080	1.020	10.220	1.060	25.800	2.320
	1		156		440		1.020		1.060		2.320
	2		153		440		1.020		1.060		2.320
	2,25		140		440		970		980		2.180
	2,5		91		440		850		820		2.080
	2,75		55		425		550		540		1.320
	3		-		315		210		220		580
	3,25		-		155		-		-		-
4,5	0	1.750	158	6.360	425	10.680	1.020	10.850	1.060	26.400	2.320
	1		157		425		1.020		1.060		2.320
	2		157		425		1.020		1.060		2.320
	2,5		154		425		1.020		1.060		2.180
	2,75		114		425		970		980		1.780
	3		84		425		680		620		680
	3,25		72		420		340		350		420
	3,5		44		290		-		210		-
	3,75		12		145		-		-		-
5	0	1.840	157	6.600	425	11.160	1.020	11.310	1.060	28.500	2.320
	1		156		425		1.020		1.060		2.320
	2		156		425		1.020		1.060		2.320
	3		150		425		970		980		2.320
	3,25		120		425		760		420		1.480
	3,5		90		425		490		480		880
	3,75		66		330		190		180		450
	4		31		235		-		-		-
	4,25		-		110		-		-		-
5,5	0	1.935	157	6.900	425	11.700	1.020	11.850	1.060	30.000	2.320
	1		156		425		1.020		1.060		2.320
	2		156		425		1.020		1.060		2.320
	3		156		425		1.020		1.060		2.280
	3,25		150		425		970		980		2.120
	3,5		132		425		970		950		1.120
	3,75		102		420		650		650		1.020
	4		72		420		340		320		950
	4,25		46		320		-		-		240
	4,5		12		170		-		-		-
	4,75		-		90		-		-		-

GENERAL PROPERTIES:

- Venturi injector with metering control valve and suction filter mesh.
- Optional flow-meter needle for dosing measuring.
- Built-in non-return valve.

MODELS:

- Ref. 131381: Venturi 3/4"
- Ref. 131386: Flow meter for venturi 3/4"
- Ref. 131382: Venturi 1"
- Ref. 131387: Flow meter for venturi 1"
- Ref. 131383: Venturi 1 1/2"
- Ref. 131388: Flow meter for venturi 1 1/2"
- Ref. 131384: Venturi 2"
- Ref. 131389: Flow meter for venturi 2"



Technical Data



Choosing a sprinkler and its nozzles

1 The application rate of the sprinkler must be lower than the maximum permeability of the ground.

2 The application rate is obtained dividing the flow of the sprinkler, expressed in l/h, by the surface area being irrigated, in m².

Example: if we have a sprinkler that at 3 kg/cm² of pressure delivers a flow of 1870 l/h, and the sprinklers are installed in areas of 18 x 18 m (324 m²), the application rate would be:

$$1870 \text{ (l/h)} / 324 \text{ m}^2 = 5.7 \text{ milímetros/hour (mm/h)}$$

3 The sprinkler irrigation systems must have application rates of between 5 and 7 mm/h

4 Small application rates are recommended for heavy ground (clay soil) or unlevel land.

5 The maximum amount of water that a surface is able to absorb in a hour, depending on its soil texture, is shown in the following chart:

Ground texture	Maximum permeability (mm/h):
Sandy	19
Loamy sand	12.7
Sandy loam	10.9
Loam	8.9
Silt loam.....	7.6
Clay loam	6.4
Silty clay.....	5
Clayey	3.8

6 The sprinklers must contribute sufficient flow to the crops according to the number of irrigations and their duration.

7 Sprinkler irrigation characteristics:

Characteristic	Recommendations
Pressure	Irrigate at an average pressure higher than 3 kg/cm ² per section. Frost protection sprinklers work at higher pressures. If, due to technical reasons, you must change the nozzles for ones with larger diameters, make sure that you have enough pump pressure for the specific area. If there is not enough pressure you must create new areas with less sprinklers per area. Check the installation's pressure gauge values frequently.
Nozzles	We recommend using two nozzle sprinklers. The main nozzle (jet) provides longer distances and flow. Never modify the nozzles; do not try to increase the size of the outlet orifice. The horizontal cut in the secondary nozzle must always be positioned at 9 o'clock. Make sure that all the sprinklers are the same type and brand and have the same number and size of nozzles.
Irrigation area	For travelling systems we recommend using rectangular areas of 12 x 15 or 12 x 18 metres (try to keep these areas constant). For in-ground irrigation systems we recommend using the following nozzles: 4 + 2.4 mm (18 x 15 triangular area) 4.4 + 2.4 mm (15 x 15 area) and 4.8 + 2.4 mm (18 x 18 area).
Other	Using your irrigation system at night will result in less evaporation loss and lower energy costs. Program irrigation considering ground permeability and water availability. Use irrigation products that are quality certified and guaranteed.

8 The recommended calculating distance between sprinklers depending on the irrigation diameter.

9 Sprinklers do not distribute water evenly; the area closest to the sprinkler receives the most water while the area farthest from the sprinkler receives the least. Therefore, for full coverage, it is necessary to use an overlapping sprinkler pattern when using a multiple sprinkler system.

Between sprinklers	50%	45%	30%
Between lines	65%	60%	50%



Precipitation rate

What is the Precipitation Rate?

A storm that covers an area with 20 l/m² of water in one hour has a "precipitation rate" of 20 l/m² of water per hour. Likewise, the precipitation rate is the "speed" at which a sprinkler or irrigation system applies water. If someone told you that they were caught in a storm that dropped 20 l/m² (1 inch) of water in one hour, you would have a good idea of how "strong" the storm was.

Are all the precipitation rates the same?

Absolutely not! There are different levels and rates of precipitation, depending on the type of nozzle used and the spacing of the sprinklers (quadrangular, triangular or linear).

The rates normally vary between:

LOW: 0.5 inches/h (13 mm) and lower • MEDIUM: 0.5 - 1 inch/h (13-25 mm) • HIGH: 1 inch/h (25 mm) and higher

Calculating Precipitation Rates

Depending on the design of the irrigation system, the precipitation rate may be calculated by either the "sprinkler spacing" method or the "total area" method.

Sprinkler spacing method. The precipitation rate must be calculated individually in each area. If all the sprinklers have the same spacing pattern, flow and arc, use one of the following formula:

■ Any arc and spacing distance:

$$P.R.(\text{inches/h}) = \frac{\text{GPM (for any arc)} \times 34,650}{\text{Arc degree} \times \text{Sprinklerspacing (feet)} \times \text{Line spacing (feet)}}$$

$$P.R. (\text{mm/h}) = \frac{\text{m}^3/\text{h (for any arc)} \times 360}{\text{Arc degree} \times \text{Sprinklerspacing (m)} \times \text{Line spacing (m)}}$$

$$P.R. (\text{mm/h}) = \frac{\text{l/min (for any arc)} \times 21,600}{\text{Arc degree (m)} \times \text{Sprinkler spacing (m)} \times \text{Line spacing (m)}}$$

▲ Equilateral triangular spacing:

$$P.R.(\text{inches/h}) = \frac{\text{GPM Arc of } 360 \times 96,25}{\text{Sprinkler spacing}^2 \times 0,866}$$

$$P.R. (\text{mm/h}) = \frac{\text{m}^3/\text{h Arc of } 360 \times 1,000}{\text{Sprinkler spacing}^2 \times 0,866}$$

$$P.R. (\text{mm/h}) = \frac{\text{l/min} \times 60}{\text{Total area}}$$

Uniformity coefficient

FORMULA FOR CALCULATING THE UC OF AN AREA:

$$CU_{\text{zona}} = 100 \times \frac{\text{volumen medio de la cuarta parte de los vasos con menos agua}}{\text{volumen medio de todos los vasos}} = 100 \times \frac{V_{25\%}}{V_m}$$

FORMULA FOR CALCULATING THE UNIFORMITY OF AN IRRIGATION UNIT TAKING PRESSURE CHANGES INTO ACCOUNT:

$$CU = CU_{\text{zona}} \times \frac{1 + 3 \times \sqrt{\frac{\text{Presión mínima}}{\text{Presión media}}}}{4} = CU_{\text{zona}} \times \frac{1 + 3 \times \sqrt{\frac{P_{\text{min}}}{P_m}}}{4}$$

$$P_{\text{media}} = \frac{2 \times P_{\text{mínima}} + P_{\text{máxima}}}{3}$$

Frost protection irrigation

In most cases, damage caused by frost can be prevented by spraying the crops with water during periods of frost. Sprinkler irrigation on plant foliage is one of the most effective methods of preventing damage to delicate crops.

HOW IRRIGATION FOR FROST PROTECTION WORKS

This method is based on three factors:

1. Latent heat is released as water freezes. This latent heat prevents the temperature of the plants from dropping below the freezing point.
2. A mixture of ice and water exposed to below-freezing conditions stays around 0° C until it is completely frozen.
3. Plant sap is not pure water; therefore plants have a lower freezing point than 0° C (32° F). Most plants do not get damaged by frost until temperatures drop well below freezing.

IMPORTANT CONSIDERATIONS

This method is based on three factors:

1. Sprinkler rotation speed:

In order to maintain a stable temperature the sprinkler must rotate quickly. The sprinkler must complete a rotation in less than 30 seconds in order to be deemed quick enough (the ideal rotation speed is normally between 30 and 40 seconds).

2. Water application level:

The volume of water in relation to its application rate is one of the most important considerations when designing a frost protection irrigation system. The application rate is calculated after considering several factors, such as temperature, wind speed and humidity levels (see the table with minimum precipitation levels).

Wind can affect evaporation levels as well as uniformity, resulting in more water having to be applied in order to provide the same protection as in the absence of wind.

3. Uniformity:

An effective frost protection system depends on how the sprinkler distributes the water.

You must pay special attention when evaluating the spacing between sprinklers, operational pressures and conditions. An acceptable design should result in a Uniformity Coefficient equal to or greater than 84% and a Distribution Uniformity equal to or greater than 75%.

ADDITIONAL CONSIDERATIONS

Prolonged periods of frost and the application of frost protection irrigation may result in a significant accumulation of ice on the plants. The irrigation system should generally be started at around 2° C to prevent water from freezing inside the pipes.

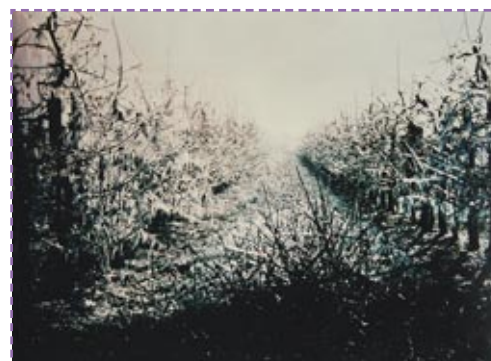
SPECIFIC FROST PROTECTION

The reason for using specific frost protection is to reduce the protected area to just the plant crop. This allows the system to operate with reduced flow and pressure, saving you water and money.

CONCLUSIONS

A delicate crop can be destroyed by frost in just one night. The use of advanced irrigation systems for frost protection is an effective method for protecting your investment. Nevertheless, the correct design and use of these systems is very important for satisfactory results.

Niveles mínimos de aplicación (árboles frutales)					
Temperatura mínima aproximada (°C)	-3 a -4	-4 a -5	-5 a -6	-6 a -7	-7 a -8
Tasa de aplicación (mm/h)	2,5	3	3,8	4,6	6,4





Conversion factors

Para convertir	De	A	Multiplicar por
ÁREA	metro ²	pie ²	10,764
	pulgada ²	centímetro ²	6,452
	hectáreas	metro ²	10000
	hectáreas	acres	2,471
ENERGÍA	kilovatios	caballos	1,341
CAUDAL	pie ³ / minuto	metro ³ / segundo	0,0004719
	pie ³ / segundo	metro ³ / segundo	0,02832
	yardas ³ / minuto	metro ³ / segundo	0,01274
	galón / minuto	metro ³ / hora	0,22716
	galón / minuto	litro / minuto	3,7854
	galón / minuto	litro / segundo	0,06309
	metro ³ / hora	litro / minuto	16,645
	metro ³ / hora	litro / segundo	0,2774
	litro / minuto	litro segundo	60
LONGITUD	pulgada	centímetro	2,540
	pie	metro	0,30481
	kilómetro	millas	0,6214
	millas	pie	5280
	millas	metro	1609,34
	milímetro	pulgada	0,03937
PRESIÓN	PSI (libra por pulgada cuadrada)	kilopascales (kPa)	6,89476
	PSI	bares	0,068948
	bares	kilopascales (kPa)	100
	PSI	pies de cabeza	2,31
VELOCIDAD	pies / segundo	metro / segundo	0,3048
VOLUMEN	pies ³	litro	28,32
	metro ³	pies ³	35,31
	metro ³	yarda ³	1,3087
	yarda ³	pies ³	27
	yarda ³	galón	202
	acres / pies	pies ³	43,56
	galón	metro ³	0,003785
	galón	litro	3,785
galón principal	galón (U.S.)	1,201	

Wiring sizes

Resistencia del cable de cobre		Tabla 1
Sección del cable No. AWG	Diámetro (mm)	Resistencia a 20°C (68°F) ohmios por 300m (1,000')
18	1,02	6,39
16	1,29	4,02
14	1,63	2,52
12	2,05	1,59
10	2,59	1,00
8	3,26	0,63
6	4,11	0,40
4	5,19	0,25

NECESSARY INFORMATION:

- Actual length of wire between the controllers and the energy source or the controllers and the electrically operated valves.
- Allowable voltage loss along the wire circuit.
- Cumulative current flow in the wire section, measured in amperes.

RESISTANCE IS CALCULATED USING THIS FORMULA:

$$R = \frac{1000 \times AVL}{2L \times I}$$

R= Maximum allowable resistance of the wire in ohms per 300 m (1,000)
 AVL= Allowable voltage loss
 L= Length of the wire (one direction)
 I= Inrush current

EXAMPLES OF VALVE WIRE SIZING:

The distance from the controller to the valve is 366 m (1200 feet). The output of the controller is 24 V. The electrically operated valve has a minimum operating voltage of 20 V and an inrush current of 370mA (0.37 A).

$$R = \frac{1000 \times 4}{2(1200) \times 0,37} \quad R = \frac{4000}{888}$$

Therefore, the resistance of the wire cannot exceed 4.5 ohms per 300 m (1,000 feet). Now, go to table 1 and select the appropriate wire size. Since 6 gauge wire has a lower resistance than 4.5 ohms per 300 m (1,000 feet), choose 4 gauge wire.

Medición del cable de la electroválvula (distancia máxima unidireccional entre los programados y la electroválvula en Metros)								
CABLE DE TIERRA / COMÚN		CABLE DE CONTROL						
1AWG No.	Diámetro mm.	18	16	14	12	10	8	6
18	1,02	250	30	360	400	440	460	480
16	1,29	310	400	500	580	650	710	740
14	1,63	360	500	650	800	930	1050	1120
12	2,05	410	580	800	1000	1270	1480	1640
10	2,59	440	650	930	1270	1640	2030	2340
8	3,26	460	710	1050	1480	2030	2650	3200
6	4,11	480	740	1120	1640	2340	3200	4000

Solenoid: 24V, Presión: 10 bares (150 PSI), Caída de voltaje: 4V, Voltaje mínimo de funcionamiento: 20V, Máximo amperaje: 0,37A (60Hz)

Technical support

If you need any technical assistance, contact your nearest VYRSA dealer or installer. Please feel free to contact us at any time, simply e-mail us at: vyrsa@vyrsa.com, or phone us during office hours at: **+34 947 26 22 26**

Warranty

VYRSA guarantees that all of our Irrigation Control System products (controllers, sensors, valves and solenoids) will be in proper working order and free from defects for a period of two (2) years from the date of manufacture. All our models of agricultural sprinklers, garden sprinklers and irrigation accessories are warranted against material and manufacturing defects for a period of three (3) years from the date of manufacture. If you notice any defect in one of our products while under warranty, VYRSA, at its option, will repair or replace the defective product or part.

This warranty does not apply to repairs, adjustments or replacements of products that have been: altered, misused, neglected, exposed to chemical agents or improperly installed/maintained. This warranty only extends to the original installer of the VYR product.

If a defect occurs in a VYR product during the time covered by our warranty, you should contact your authorised VYR Distributor or Installer as soon as possible.

VYRSA'S OBLIGATION IS TO REPAIR OR REPLACE THE DEFECTIVE PRODUCT ACCORDING TO THE INFORMATION PRESENTED ABOVE IN OUR WARRANTY. THERE IS NO OTHER TYPE OF WARRANTY, EXPRESSED OR IMPLIED, INCLUDING WARRANTIES REGARDING TRANSPORT OR FITNESS FOR A PARTICULAR PURPOSE. VYRSA SHALL NOT BE LIABLE IN CONTRACT, TORT, NEGLIGENCE, OR OTHERWISE FOR DAMAGES CAUSED OR CLAIMED TO BE CAUSED AS A RESULT OF ANY DESIGN OR DEFECT IN VYR PRODUCTS, OR FOR ANY SPECIAL, INCIDENTAL OR CONSEQUENTIAL DAMAGES OF ANY NATURE.

If you have any questions regarding this warranty or its application, please contact us at:

VYR S.A. · Polig. Ind. N-1 · 09001 Burgos, SPAIN

Certification

VYR S.A. is certified under the ISO 9001-2015 quality assurance standards for the manufacture of sprinklers, valves, control systems and irrigation accessories.

All the technical data shown in the different tables of this catalog have been endorsed by the different tests carried out in International Certified Centers such as CENTER (Madrid), CIT (USA), or CEMAGREF (France).

Training

Ask a professional and all your problems will be solved efficiently and cost-effectively. In our **Training Rooms** we offer our customers courses to help them get the best possible performance out of our products. Let us share our knowledge with you; we will show you to how manage your sprinkler irrigation system to best effect.

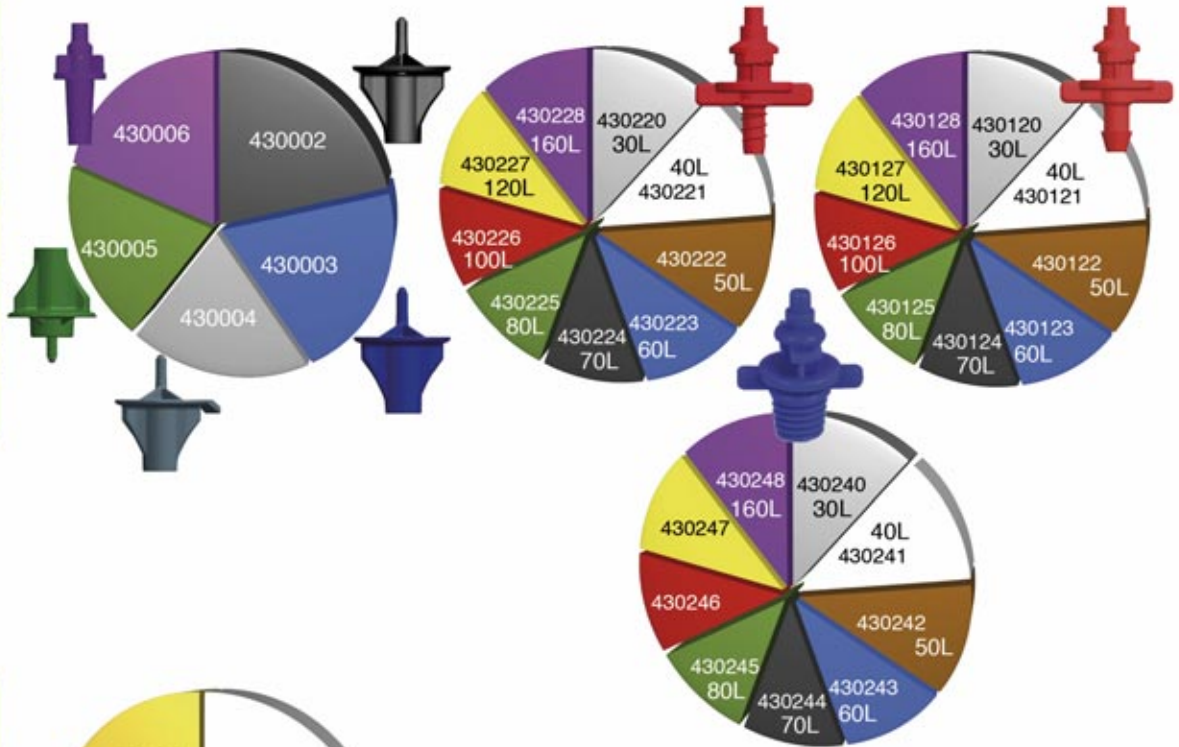
We at **VYRSA** would like to offer you our wide range of irrigation products for all your cultivation and garden needs as well as technical support to provide the best possible service.



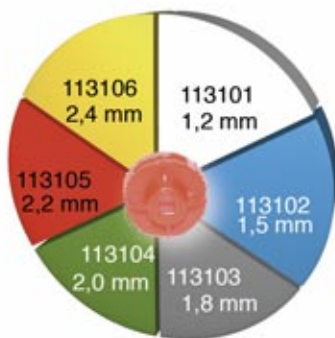
Nozzles

Measurements, Combinations and References

VYR-3000 MICRO



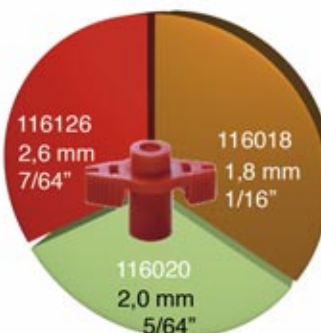
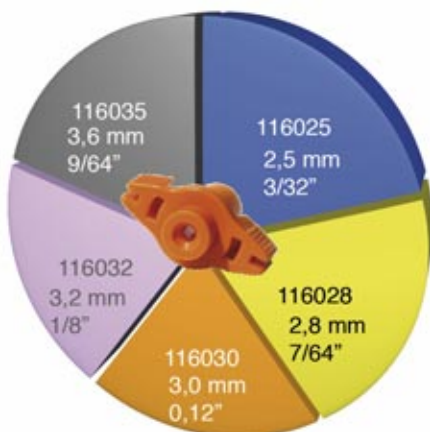
VYR-3100



VYR-3250



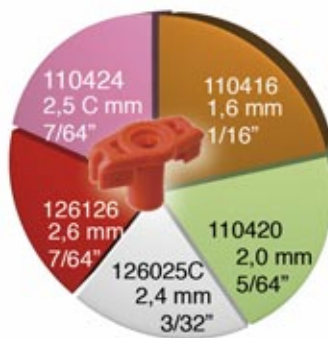
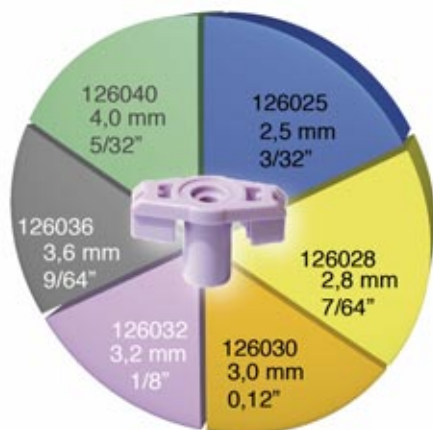
VYR-16



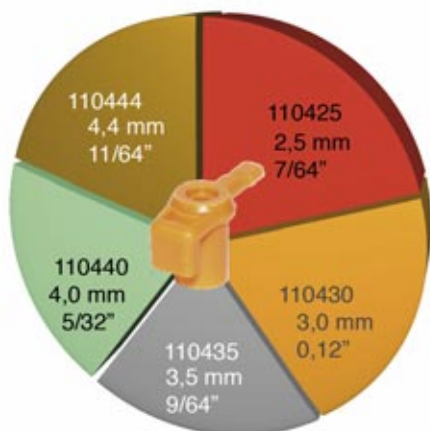
Nozzles

Measurements, Combinations and References

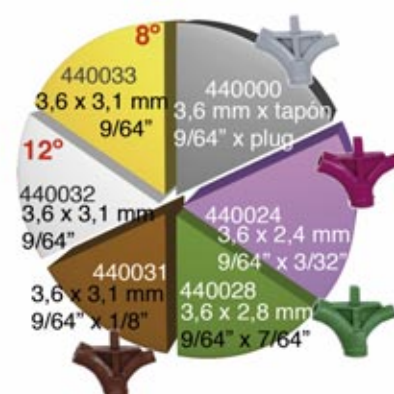
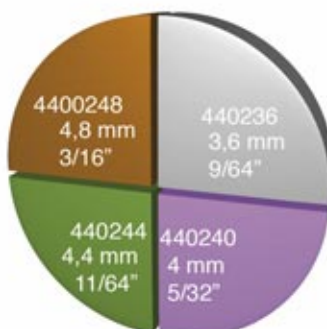
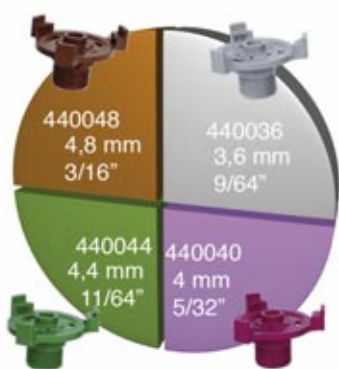
VYR-26



VYR-802-803-962



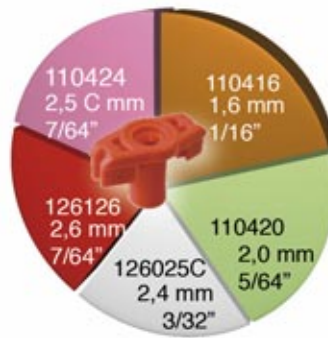
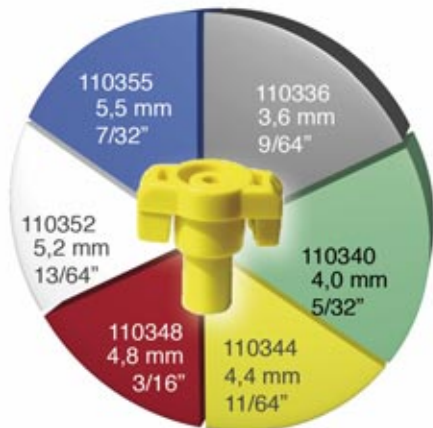
VYR-4000 ROTEC



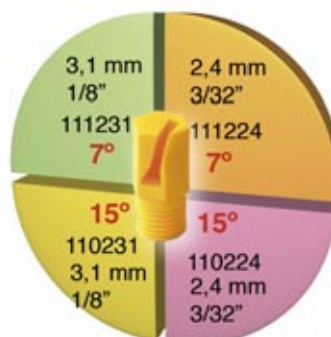
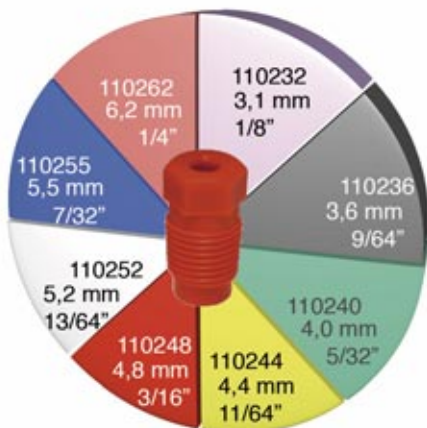
Nozzles

Measurements, Combinations and References

VYR-37-67



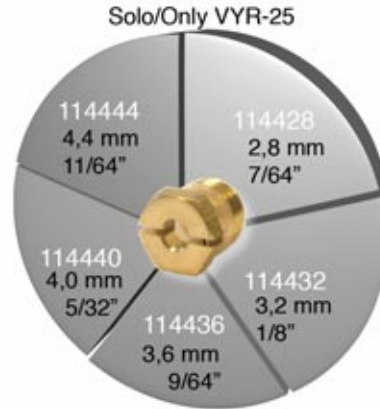
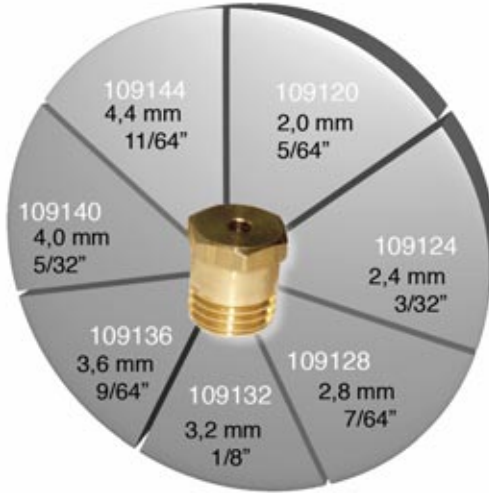
VYR-36-66-35-60-70-56



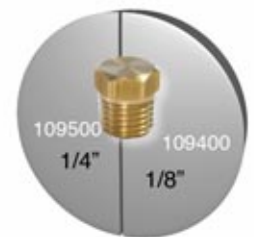
Nozzles

Measurements, Combinations and References

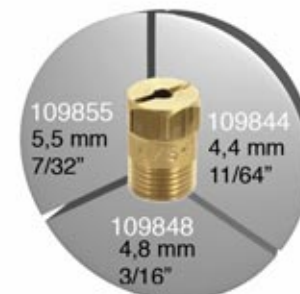
VYR-3-25-50-80



VYR-20-23-33-35-36
-46-56-60-66-70



VYR-70V-86



Nozzles

Measurements, Combinations and References

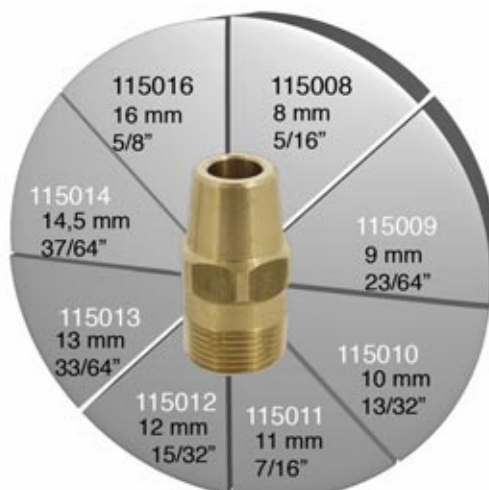
VYR-65-166



VYR-155



VYR-150-160



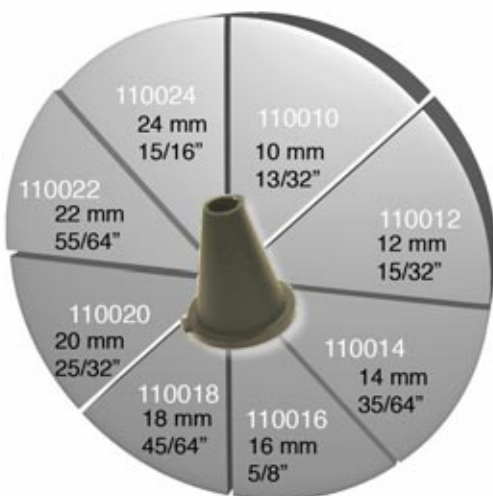
Nozzles

Measurements, Combinations and References

VYR-144



VYR-100



VYR-175



VYR-157 S - 157 L



Nozzles

SELECTION OF A NOZZLE:

- When choosing the optimal nozzles for a sprinkler, first make sure that the working pressure is within the range marked in the tables of each sprinkler model and that the flow in the network is sufficient. Depending on the operating pressure, we will use different nozzles to achieve the desired irrigation and rainfall frame, also following the data of the nozzle tables in each sprinkler model. To achieve a good coefficient of uniformity we will need to make a correct nozzle choice and that the spacing between sprinklers and laterals is the ideal one. Try looking for a large drop size to avoid wind drifts. Secondary (tail) nozzles are always recommended and increase uniformity.

Do not hesitate to consult our professionals when choosing the nozzles of your sprinklers!



Vanes

DESCRIPTION:

- The VYR sprinklers are shipped mounted with standard nozzle and pods unless requested by our customers for another desired combination, depending on their installation format. Always consider factors such as spacing between sprinklers, prevailing average winds, type of crop, types of soil, etc. Some plastic nozzles already incorporate the deflecting blades inside, so the additional installation of the pods is not necessary. The exchange of pods mainly influences the 3/4" sprinklers with brass nozzles.

TECHNICAL SPECIFICATIONS:

Long white VL vane: Eliminates turbulence before the water comes out of the nozzle, achieving its maximum reach under medium-high pressure conditions of 3-6 BAR (35-50 PSI).

Short black vane VC: Eliminates part of the turbulence in the last section of the water before the exit through the nozzle. Recommended use under average pressure conditions of 3-4.5 BAR (35-50 PSI).

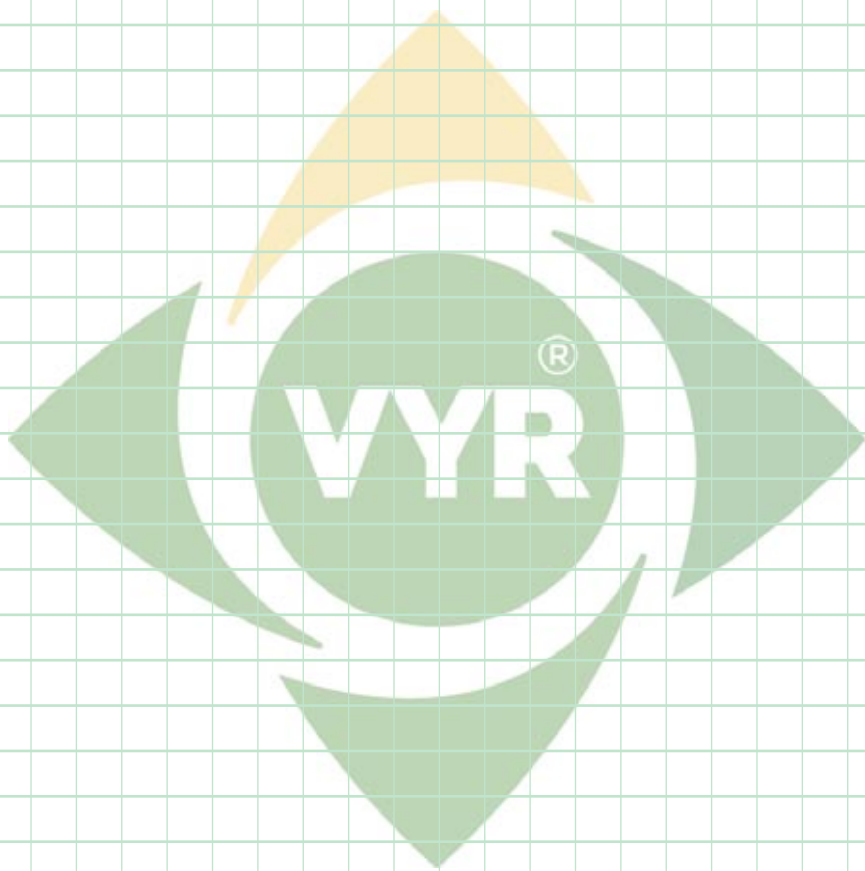
No vane VS: The turbulences that come right out of the water through the nozzle are not eliminated causing a drop something more broken and smaller radius of reach. For average pressures of 3.4.5 BAR (35-50 PSI).

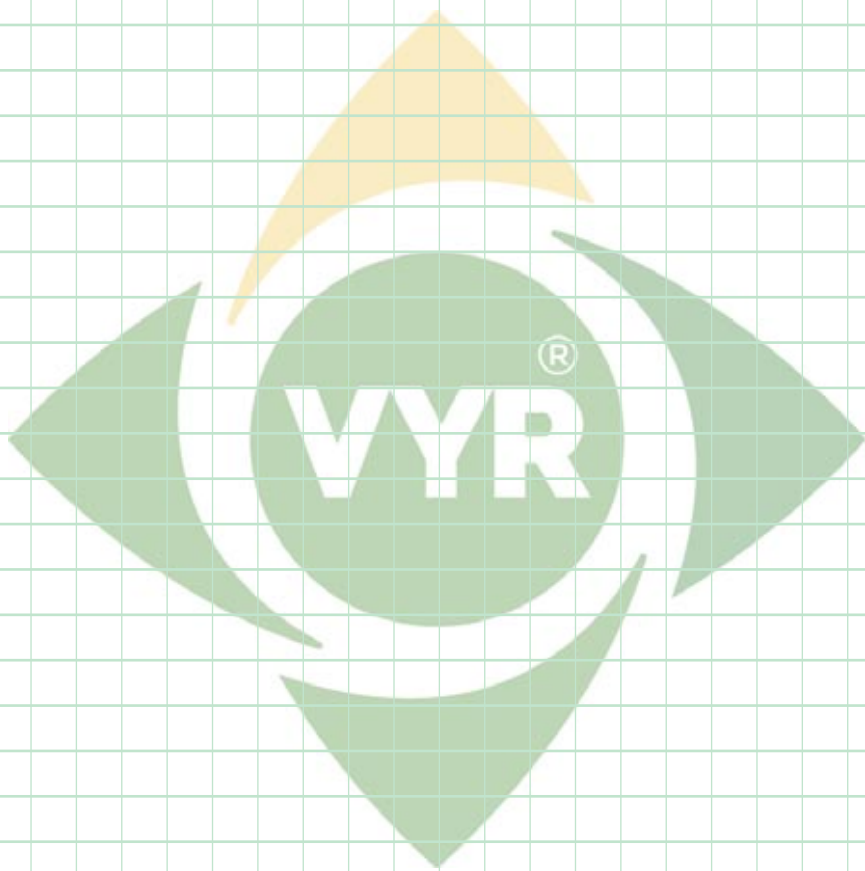
VR red vane: Causes helical turbulence before the water leaves the nozzle, thus causing a more broken stream with a smaller drop. This causes sacrificing part of the scope of the sprinkler at medium-high pressures, but improves sprinkler operation and CU with low pressures of 1.8-2.5 BAR (25-35 PSI).

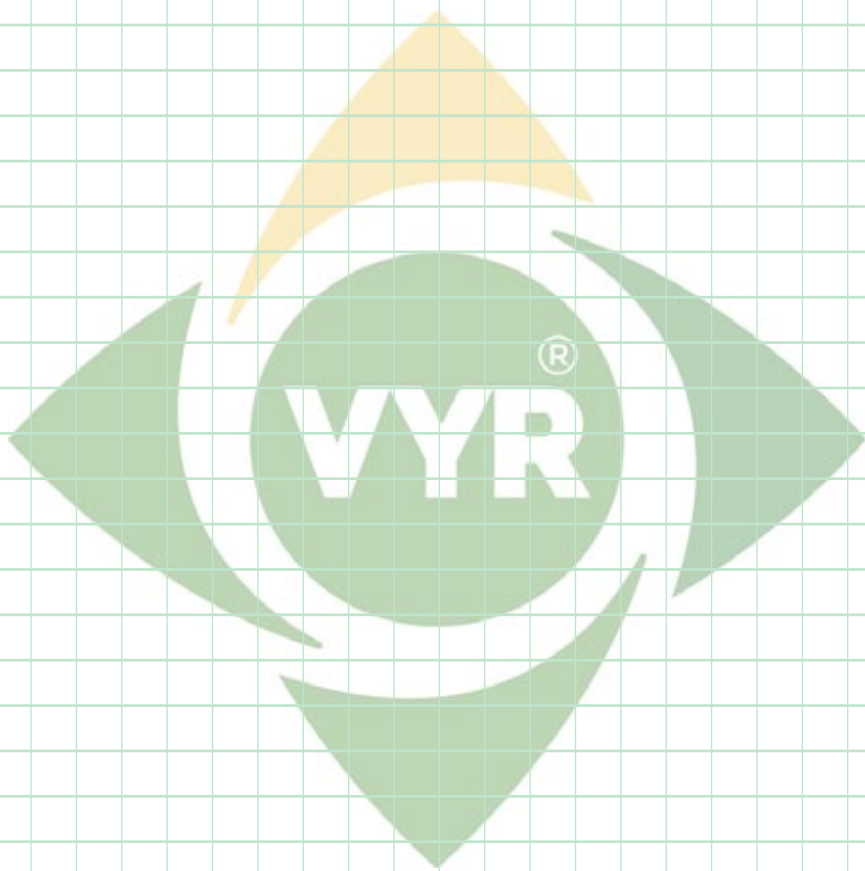
VA blue vane: Causes strong helical turbulence with lower flow rate before the water leaves the nozzle, thus causing a more broken jet with a smaller drop. This causes sacrificing part of the scope of the sprinkler at medium-low pressures, but improves sprinkler operation and CU with very low pressures 1.4-2.2 BAR (20.30 PSI).

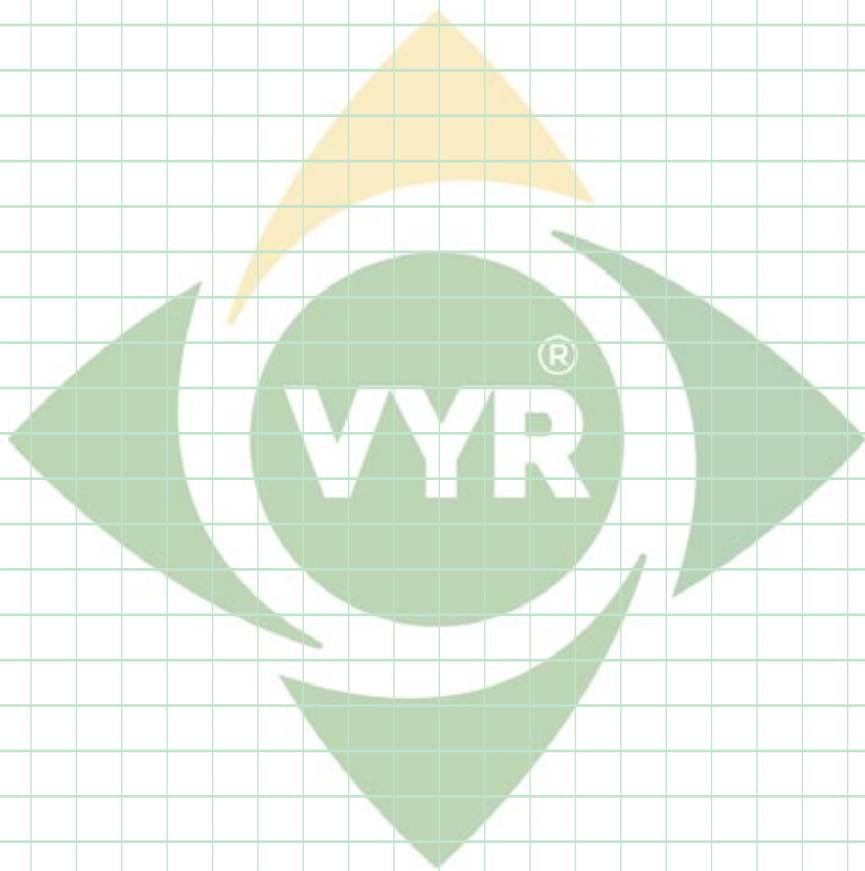
NOTE: In the orders, the ending -VL, -VC, -VS, -VR or VA will be added at the end of the sprinkler + nozzles reference to specify the type of pod that is installed. (Ex.: 0035204424-VR / "Sprinkler VYR-35 female with 4,4x2,4 mm nozzles and red sheath").













PROFESSIONAL IRRIGATION SYSTEMS
... FOR A SUSTAINABLE WORLD

VYR S.A.

Polígono Industrial N-1
09001 Burgos, SPAIN

Tlf.: +34 947 26 22 26

Fax: + 34 947 26 21 24

E-mail: vyrsa@vyrsa.com

Web: www.vyrsa.com

