

FAMCO
هایپر صنعت

AVIBRO[®]
ELEKTRİK MOTORLARI A.Ş.

AFV-C
TEKNİK KATALOG
TECHNICAL CATALOGUE

TEKNOLOJİ / TECHNOLOGY

KALİTE / QUALITY

PERFORMANS / PERFORMANCE

VERİMLİLİK / PRODUCTIVITY

GÜÇ / POWER

TASARIM / DESIGN

YENİLİK / INNOVATION

TECRÜBE / KNOW-HOW

SERVİS / SERVICE



www.famcocorp.com

E-mail: info@famcocorp.com

@famco_group

Tel: 021- 4 8 0 0 0 0 4 9

Fax: 021 - 4 4 9 9 4 6 4 2

تهران، کیلومتر ۲۱ بزرگراه لشگری (جاده مخصوص کرج)

روبروی پالایشگاه نفت پارس، پلاک ۱۳

AFV-C

FAMCO
هایپر صنعت

Teknik Veri | Technical Data

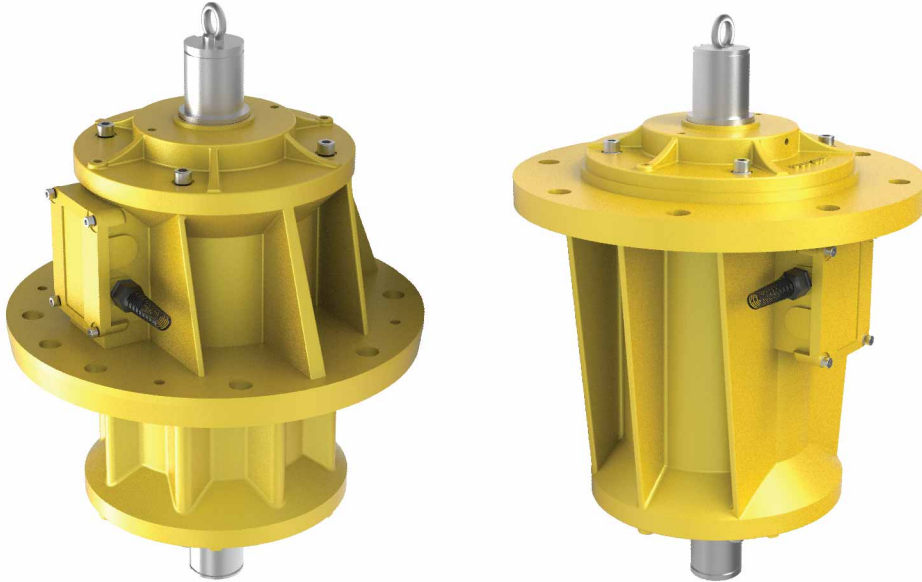
4 poles 1500 rpm-50 Hz / 1800 rpm - 50 Hz

Model Type	Gövde Size	Santrüfjü Kuvveti Centrifugal Force				Ağırlık Weight		Giriş Gücü Input Power		(**)Nominal Akım Nom. Current	
		(Kg/F)		(kN)		(Kg)		(W)		(A)	
		50 Hz	60 Hz	50 Hz	60 Hz						
AFV 1510/15	50	1500	1500	14,7	14,7	45,5	44,5	1100	1200	2,10	2,00
AFV 2500/15	60	2500	2500	24,5	24,5	69,0	68,0	2150	2700	3,90	4,10
AFV 4500/15	80	4500	4500	44,1	44,1	109,0	108,0	4000	4200	6,70	5,80
AFV-C 1510/15	60	1500	1500	14,7	14,7	55,5	55,5	1100	1200	2,10	2,00
AFV-C 2500/15	60	2500	2500	24,5	24,5	78,0	77,0	2150	2700	3,90	4,10
AFV-C 4500/15	80	4500	4500	44,1	44,1	115,0	115,0	4000	4200	6,70	5,80

(*) Working moment = 2x static moment

la / ln = başlangıç akımı ile maksimum akım arasındaki oran./ ratio between start-up current and maximum current.

(**) Inverter Kullanımı 3faz 220V / use of Inverter 3phase 115V



AFV-C

4 poles 1500 rpm-50 Hz / 1800 rpm - 50 Hz

Model Type	FIG	A	ØB	ØC	ØD	ØH	N	E	F	G	I	L	M	KABLO REKORU
three-Phase AFV 1510/15	1	447	290	180	250	16,5	6	247	45	15	35	75	75	M20X1,5
AFV 2500/15	1	532	350	200	305	21,5	6	284	48	20	40	96	96	M20X1,5
AFV 4500/15	1	549	400	270	355	21,5	8	366	56	27	54,5	58,5	58,5	M25X1,5
AFV-C 1510/15	2	532	350	260	305	21,5	6	179	152	20	40	96	96	M20X1,5
AFV-C 2500/15	2	532	350	260	305	21,5	6	179	152	20	40	96	96	M20X1,5
AFV-C 4500/15	2	549	400	310	355	21,5	6	226	196	27	54,5	58,5	58,5	M25X1,5

FIG - 1

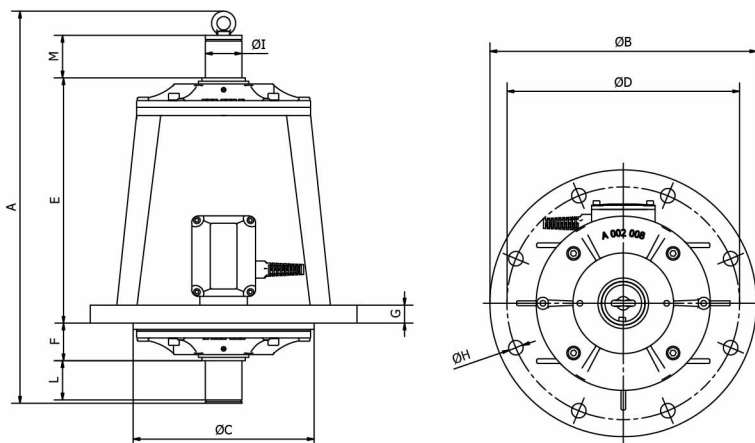
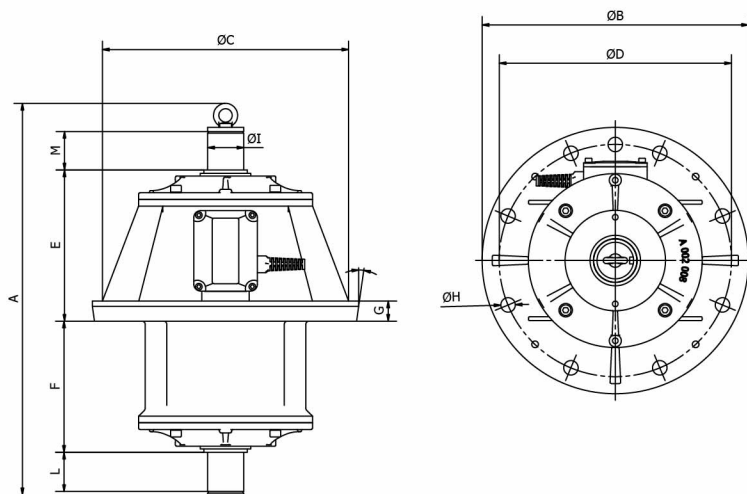


FIG - 2



AFV-C

