

**FAMCO**  
هایپر صنعت

**AVIBRO**<sup>®</sup>  
ELEKTRİK MOTORLARI A.Ş.

**AFV**  
TEKNİK KATALOG  
TECHNICAL CATALOGUE

TEKNOLOJİ / TECHNOLOGY

KALİTE / QUALITY

PERFORMANS / PERFORMANCE

VERİMLİLİK / PRODUCTIVITY

GÜÇ / POWER

TASARIM / DESIGN

YENİLİK / INNOVATION

TECRÜBE / KNOW-HOW

SERVİS / SERVICE



[www.famcocorp.com](http://www.famcocorp.com)

E-mail: [info@famcocorp.com](mailto:info@famcocorp.com)

@famco\_group

Tel: 021- 4 8 0 0 0 4 9

Fax: 021 - 44994662

تهران، کیلومتر ۲۱ بزرگراه لشگری (جاده مخصوص کرج)

روبروی پالایشگاه نفت پارس، پلاک ۱۲

2 poles 3000 rpm-50 Hz / 3600 rpm - 60 Hz

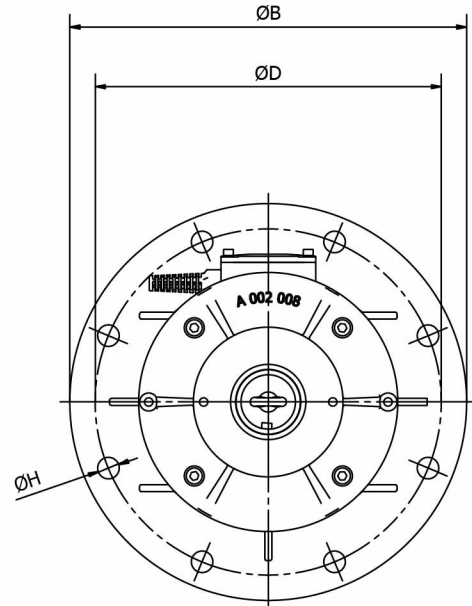
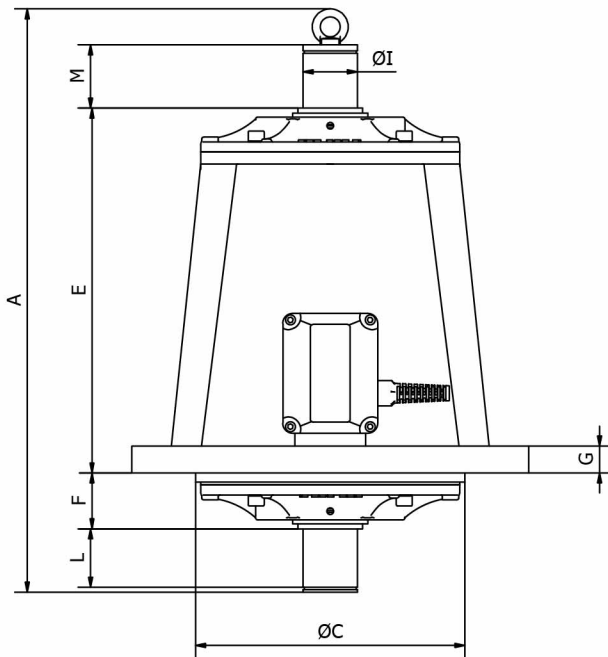
4 poles 1500 rpm-50 Hz / 1800 rpm - 50 Hz

Model Type	Göyde Size	Santrüfuj Kuvveti Centrifugal Force ( Kg/F )		Üst Ağırlık Top Weight ( Kg )		Alt Ağırlık Bottom Weight ( Kg )		Ağırlık Weight ( Kg )		Giriş Gücü Input Power ( W )		(**)Nominal Akım Nom. Current		IA / INnt ( A )		
		50Hz	60Hz	50Hz	60Hz	50Hz	60Hz	50Hz	60Hz	50Hz	60Hz	400V 50Hz	460V 60Hz	220V 50Hz	115V 60Hz	
		three-phase	AFV 65/3	10	60	86	30	43	30	43	5,0	5,0	120	120	0,27	0,23
	AFV 200/3	10	186	222	108	111	78	111	7,8	7,5	180	180	0,35	0,30	2,68	3,00
	AFV 300/3	20	257	298	153	149	104	149	11,5	11,2	260	270	0,60	0,50	3,47	4,20
	AFV 500/3	20	418	464	253	232	165	232	16,0	15,0	450	500	0,80	0,75	4,21	4,80
	AFV 650/3	30	645	609	390	375	255	234	18,0	17,3	450	500	0,80	0,75	4,21	4,80
	AFV 800/3	30	657	756	395	378	262	378	18,5	17,5	650	685	1,10	1,00	3,83	6,00
	AFV 1100/3	40	1184	1130	592	565	592	565	28,0	27,0	940	1130	1,70	1,60	6,79	7,00
	AFV 80/15	10	80	78	40	39	40	39	7,0	6,5	85	95	0,33	0,33	1,78	1,95
	AFV 200/15	10	178	216	105	108	73	108	15,0	14,3	170	170	0,24	0,20	2,34	2,75
	AFV 400/15	20	347	410	206	205	141	205	21,0	20,1	300	350	0,41	0,40	3,33	3,50
	AFV 550/15	20	484	596	278	298	206	298	22,0	20,6	300	350	0,60	0,60	3,33	3,50
	AFV 700/15	30	625	762	361	381	264	381	27,0	25,5	525	665	0,60	0,60	3,48	3,43
	AFV 1100/15	40	1050	980	525	490	525	490	38,0	33,0	900	1050	1,45	1,50	4,10	4,20
	AFV 1710/15	50	1773	675	895	321	878	354	45,5	42,5	1100	1200	1,45	1,50	4,29	4,89
	AFV 2000/15	50	2040	750	1020	358	1020	392	47,0	46,5	1350	1450	2,00	1,90	4,30	4,90

(\*) Working moment = 2x static moment

la / ln = başlangıç akımı ile maksimum akım arasındaki oran./ ratio between start-up current and maximum current.

(\*\*) Inverter Kullanımı 3faz 220V / use of Inverter 3phase 115V



2 poles 3000 rpm-50 Hz / 3600 rpm - 60 Hz

4 poles 1500 rpm-50 Hz / 1800 rpm - 50 Hz

Model Type	Gövde Size	Santrifüj Kuvveti Centrifugal Force (Kg/F)		Üst Ağırlık Top Weight (Kg)		Alt Ağırlık Bottom Weight (Kg)		Ağırlık Weight (Kg)		Giriş Gücü Input Power (W)		(**)Nominal Akım Nom. Current		I <sub>A</sub> / I <sub>Nnt</sub> (A)		
		50Hz	60Hz	50Hz	60Hz	50Hz	60Hz	50Hz	60Hz	50Hz	60Hz	400V 50Hz	460V 60Hz	220V 50Hz	115V 60Hz	
		three-phase	AFV 65/3	10	60	86	30	43	30	43	5,0	5,0	120	120	0,27	0,23
	AFV 200/3	10	186	222	108	111	78	111	7,8	7,5	180	180	0,35	0,30	2,68	3,00
	AFV 300/3	20	257	298	153	149	104	149	11,5	11,2	260	270	0,60	0,50	3,47	4,20
	AFV 500/3	20	418	464	253	232	165	232	16,0	15,0	450	500	0,80	0,75	4,21	4,80
	AFV 650/3	30	645	609	390	375	255	234	18,0	17,3	450	500	0,80	0,75	4,21	4,80
	AFV 800/3	30	657	756	395	378	262	378	18,5	17,5	650	685	1,10	1,00	3,83	6,00
	AFV 1100/3	40	1184	1130	592	565	592	565	28,0	27,0	940	1130	1,70	1,60	6,79	7,00
	AFV 80/15	10	80	78	40	39	40	39	7,0	6,5	85	95	0,33	0,33	1,78	1,95
	AFV 200/15	10	178	216	105	108	73	108	15,0	14,3	170	170	0,24	0,20	2,34	2,75
	AFV 400/15	20	347	410	206	205	141	205	21,0	20,1	300	350	0,41	0,40	3,33	3,50
	AFV 550/15	20	484	596	278	298	206	298	22,0	20,6	300	350	0,60	0,60	3,33	3,50
	AFV 700/15	30	625	762	361	381	264	381	27,0	25,5	525	665	0,60	0,60	3,48	3,43
	AFV 1100/15	40	1050	980	525	490	525	490	38,0	33,0	900	1050	1,45	1,50	4,10	4,20
	AFV 1710/15	50	1773	675	895	321	878	354	45,5	42,5	1100	1200	1,45	1,50	4,29	4,89
	AFV 2000/15	50	2040	750	1020	358	1020	392	47,0	46,5	1350	1450	2,00	1,90	4,30	4,90

(\*) Working moment = 2x static moment

I<sub>a</sub> / I<sub>n</sub> = başlangıç akımı ile maksimum akım arasındaki oran./ ratio between start-up current and maximum current.

(\*\*) Inverter Kullanımı 3faz 220V / use of Inverter 3phase 115V

