



**DIPLOMATIC
HYDRAULICS**



MDD44

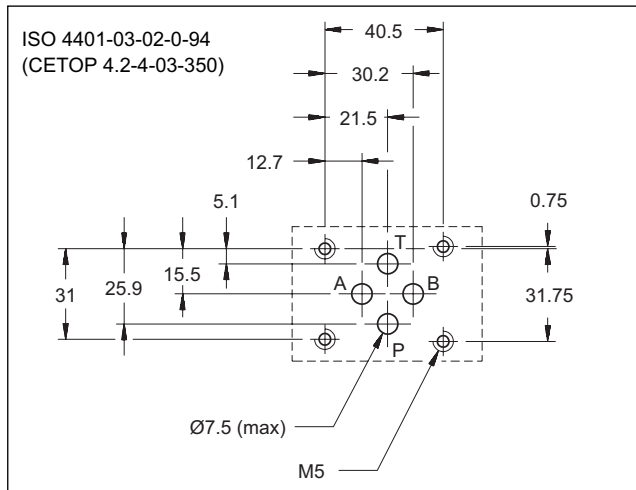
SOLENOID OPERATED DIRECTIONAL CONTROL VALVE

DIRECT CURRENT - SERIES 50
ALTERNATING CURRENT - SERIES 55

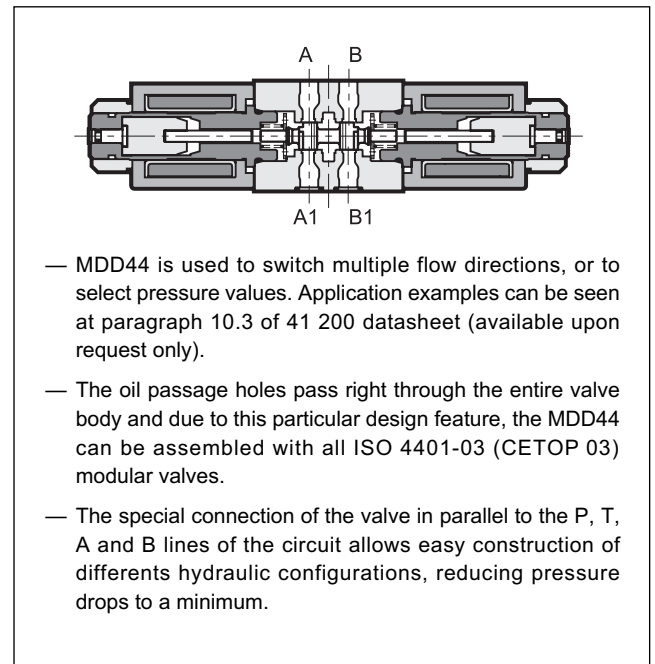
MODULAR VERSION
ISO 4401-03 (CETOP 03)

p max 350 bar
Q max 50 l/min

MOUNTING INTERFACE



OPERATING PRINCIPLE



VALVE CONFIGURATIONS (see Hydraulic symbols table)

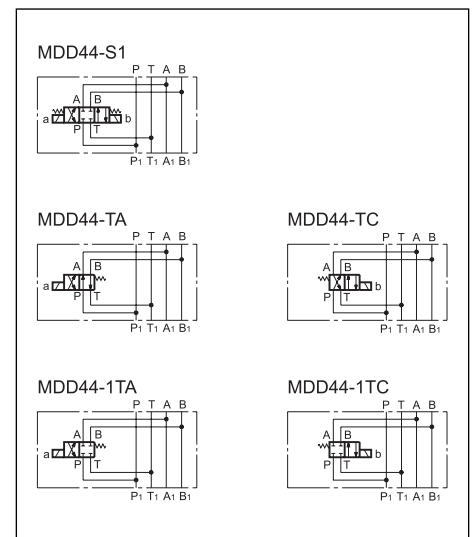
- Type “S”: a 4-double way, 3-position, 2-solenoid directional valve; positioning of the spool at rest is obtained with centering springs.
- Type “TA/TC”: a 4-double way, 2-position, one solenoid directional valve; positioning of the spool at rest is obtained with a return spring.

PERFORMANCES (working with mineral oil of viscosity of 36 cSt at 50°C)

Maximum operating pressure:		
- ports P - A - B - T	bar	350
- port T (DC)		210
- port T (AC)		140
Maximum flow rate on ports P - A - B - T	l/min	50
Ambient temperature range	°C	-20 / +50
Fluid temperature range	°C	-20 / +80
Fluid viscosity range	cSt	10 ÷ 400
Fluid contamination degree	according to ISO 4406:1999 class 20/18/15	
Recommended viscosity	cSt	25
Masse: MDD44-S	kg	2
MDD44-TA/TC		1,5

Operating limits (see catalogue 41200, par. 5): the indicated values must be reduced by 30%.

HYDRAULIC SYMBOLS





MDD44

SERIES 50 and 55

1 - IDENTIFICATION CODE

M	D	D	44	-		/		-		/		/	
----------	----------	----------	-----------	---	--	---	--	---	--	---	--	---	--

Modular solenoid operated directional control valve
Size ISO 4401-03 (CETOP 03)

4-double way

Configuration: **S - TA - TC**
Type of centre and connection diagram
(See Hydraulic symbols table)

soft shift device (option G)
see catalogue 41 200 par 10.1 (omit if not required)

Series no.: **50** direct current
55 alternating current
(the overall and mounting dimensions remain unchanged from 50 to 59)

CM = manual override, boot protected (omit if not required)

Seals: omit for mineral oils
V = viton for special fluids

Electrical supply features:
24V-CC for direct current
110V-50HZ for alternating current
(for other available voltages see par. 6.2, catalogue 41 200, available upon request)

NOTE: The solenoid valves are never supplied with connector. The connectors must be ordered separately. To identify the connector type to be ordered, please see catalogue 49 000.

2 - OVERALL AND MOUNTING DIMENSIONS

dimensions in mm

1	Coil removal space
2	Mounting surface with sealing rings: 4 OR type 2037 (9.25x1.78) - 90 Shore
3	Manual override
4	Connector removal space
5	CM manual override, boot protected

	<p>DIPLOMATIC OLEODINAMICA SpA 20025 LEGNANO (MI) - P.le Bozzi, 1 / Via Edison Tel. 0331/472111-472236 - Fax 0331/548328</p>
--	---