



VR*-I

CHECK VALVES

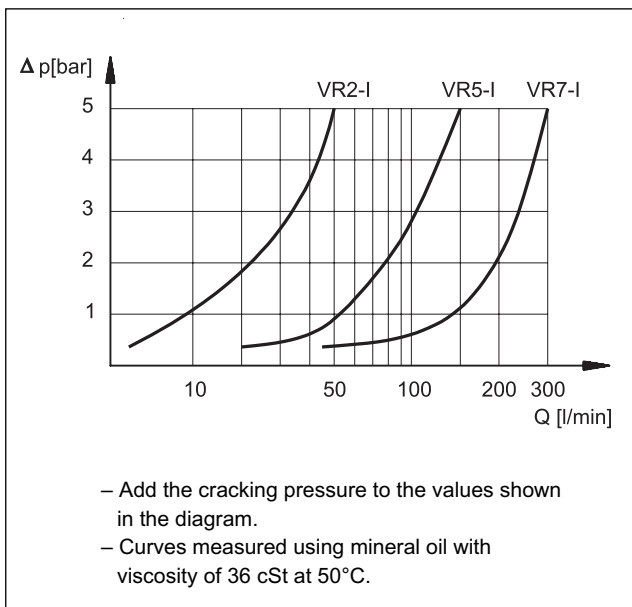
SERIES 32

CARTRIDGE TYPE

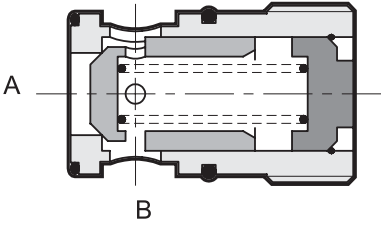
p max (see table of performances)

Q max (see table of performances)

PRESSURE DROP ΔP -Q



OPERATING PRINCIPLE



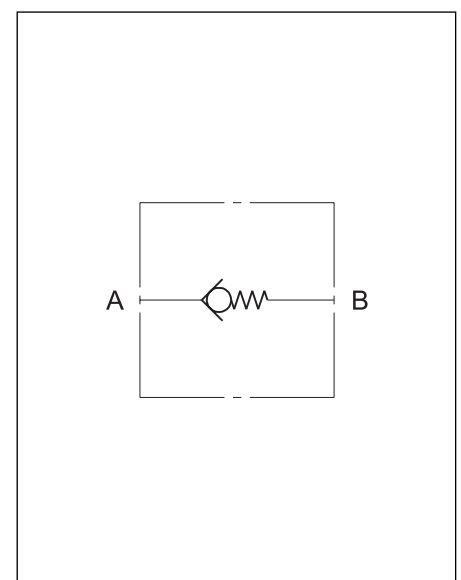
- VR*-I valves are one-way check valves cartridge type construction and can be used in blocks or panels.
- In rest conditions, the valve poppet, which is a cone on edge seal type, is kept closed by a spring with fixed setting.
- The poppet opens when the pressure in the intake line "A" exceeds the set value of the spring, added to any pressure in the outlet line "B".
- Available in three sizes for flow rates of up to 300 l/min and with three different cracking pressures.

PERFORMANCES

valve code	nominal dimension	maximum flow rate [l/min]	mass [kg]	max operating pressure [bar]	
				continuous	peak
VR 2- I	1/4"	50	0,1	320	320
VR 5- I	3/4"	150	0,2	250	320
VR 7- I	1 1/4"	300	0,8		

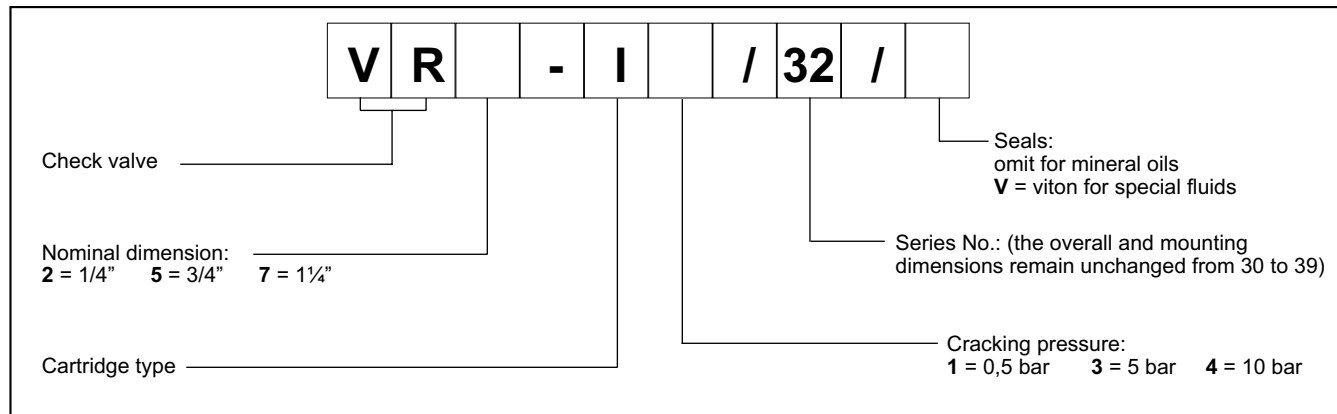
Ambient temperature range	°C	-20 / +50
Fluid temperature range	°C	-20 / +80
Fluid viscosity range	cSt	10 ÷ 400
Fluid contamination degree	according to ISO 4406:1999 class 20/18/15	
Viscosità raccomandata	cSt	25

HYDRAULIC SYMBOL





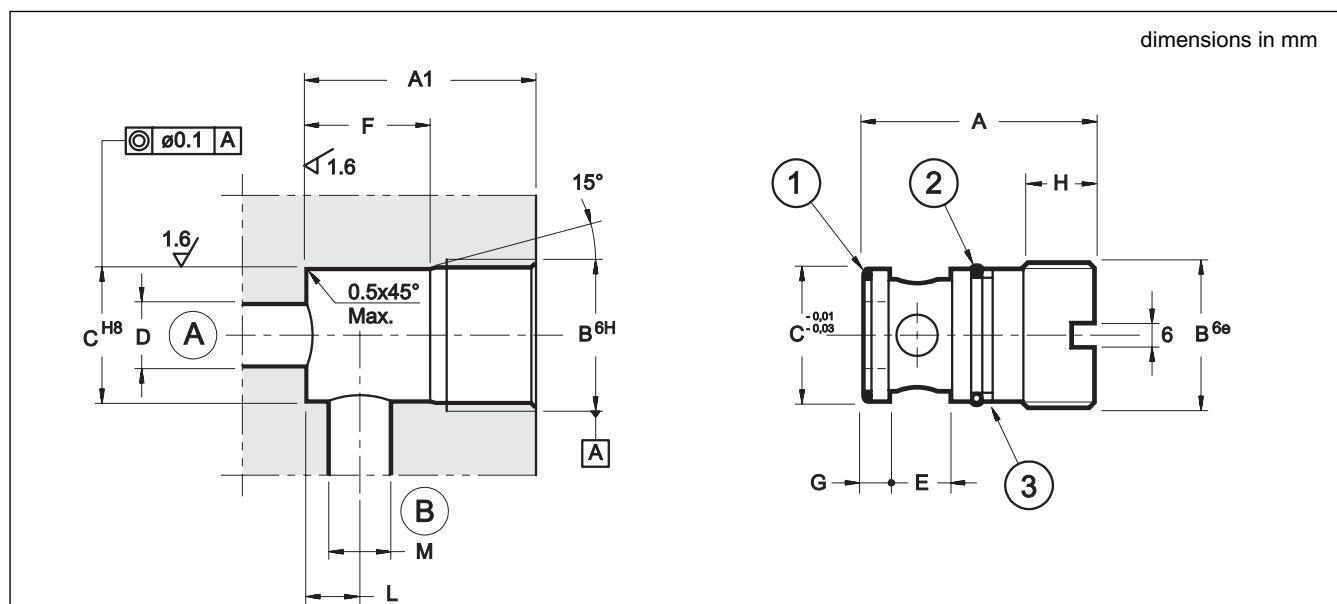
1 - IDENTIFICATION CODE



2 - HYDRAULIC FLUIDS

Use mineral oil-based hydraulic fluids HL or HM type, according to ISO 6743-4. For these fluids, use NBR seals. For fluids HFDR type (phosphate esters) use FPM seals (code V). For the use of other kinds of fluid such as HFA, HFB, HFC, please consult our technical department. Using fluids at temperatures higher than 80 °C causes a faster degradation of the fluid and of the seals characteristics. The fluid must be preserved in its physical and chemical characteristics.

3 - OVERALL AND MOUNTING DIMENSIONS



NOTE: the dimension **A1** must be at least 1 mm higher than the dimension **A** indicated in the table herebelow.

	A	B	ØC	ØD max	E	F	G	H	L	ØM max	1	2	3	tightening torque
VR 2 - I	41	M24x1,5	22	9	10	22	4	14	9	9	OR 119 (15.08x2.62)	OR 3068 (17.13x2.62)	Parbak 8-115	25 Nm
VR 5 - I	43	M30x1,5	27	15	13,5	26	4,5	12	11	12	OR 3081 (20.24x2.62) 90 Shore	OR 2093 (23.52x1.78)	Parbak 8-021	50 Nm
VR 7 - I	72	M45x2	41	21	20	40	7,5	22	16,5	16	OR 3137 (34.60x2.62)	OR 4137 (34.52x3.53) 90 Shore	Parbak 8-220	80 Nm

	<p>DIPLOMATIC OLEODINAMICA SpA 20025 LEGNANO (MI) - P.le Bozzi, 1 / Via Edison Tel. 0331/472111 - Fax 0331/548328</p>
--	--