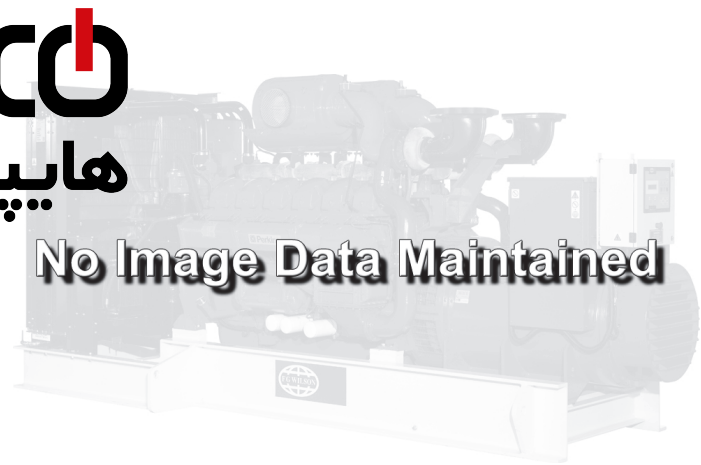




www.FGWilson.com

**FAMCO**  
 هایپر صنعت



No Image Data Maintained

Image for illustration purposes only.

# P300-3

## Output Ratings

Voltage, Frequency	Prime	Standby
400V, 50 Hz	275.0 kVA / 220.0 kW	300.0 kVA / 240.0 kW
	- / -	- / -

Ratings at 0.8 power factor.

Please refer to the output ratings technical data section for specific generator set outputs per voltage.

## Prime Rating

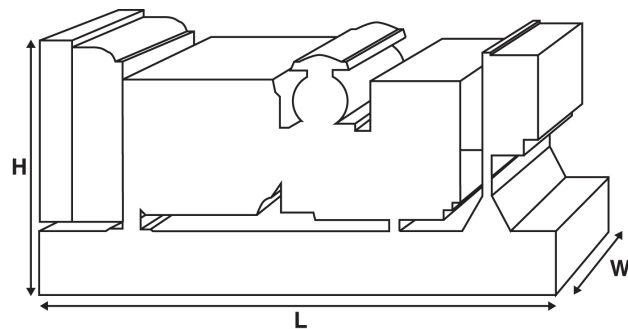
These ratings are applicable for supplying continuous electrical power (at variable load) in lieu of commercially purchased power. There is no limitation to the annual hours of operation and this model can supply 10% overload power for 1 hour in 12 hours.

## Standby Rating

These ratings are applicable for supplying continuous electrical power (at variable load) in the event of a utility power failure. No overload is permitted on these ratings. The alternator on this model is peak continuous rated (as defined in ISO 8528-3).

## Standard Reference Conditions

Note: Standard reference conditions 25°C (77°F) Air Inlet Temp, 100m (328 ft) A.S.L. 30% relative humidity.  
 Fuel consumption data at full load with diesel fuel with specific gravity of 0.85 and conforming to BS2869: 1998, Class A2.



## Ratings and Performance Data

Engine Make & Model:	Perkins® 1506A-E88TAG4	
Alternator manufactured for FG Wilson by:	Leroy Somer	
Alternator Model:	LL5014J	
Control Panel:	PowerWizard 1.1+	
Base Frame:	Heavy Duty Fabricated Steel	
Circuit Breaker Type:	3 Pole MCCB	
Frequency:	50 Hz	60 Hz
Engine Speed: rpm	1500	-
Fuel Tank Capacity: litres (US gal)	587 (155.1)	
Fuel Consumption: l/hr (US gal/hr)		
(100% Load)	- Prime	58.1 (15.3) -
	- Standby	63.1 (16.7) -

## Available Options

FG Wilson offer a range of optional features to tailor our generator sets to meet your power needs. Options include:

- Upgrade to CE Certification
- A wide range of Sound Attenuated Enclosures
- A variety of generator set control and synchronising panels
- Additional alarms and shutdowns
- A selection of exhaust silencer noise levels

For further information on all of the standard and optional features accompanying this product please contact your local Dealer or visit: [www.FGWilson.com](http://www.FGWilson.com)

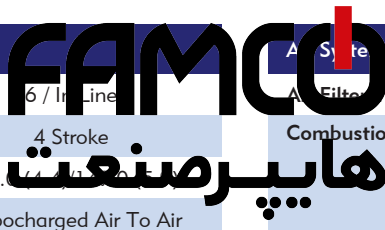
## Dimensions and Weights

Length (L) mm (in)	Width (W) mm (in)	Height (H) mm (in)	Dry kg (lb)	Wet kg (lb)
3300 (129.9)	1100 (43.3)	1771 (69.7)	2390 (5269)	2426 (5348)

Dry = With Lube Oil

Wet = With Lube Oil and Coolant

Ratings in accordance with ISO 8528, ISO 3046, IEC 60034, BS5000 and NEMA MG-1.22. Generator set pictured may include optional accessories.



Engine Technical Data		50 Hz	60 Hz
No. of Cylinders / Alignment:	6 / In-Line		
Cycle:	4 Stroke		
Bore / Stroke: mm (in)	112.0 (4.41) / 140.0 (5.51)		
Induction:	Turbocharged Air To Air Charge Cooled		
Cooling Method:	Water		
Governing Type:	Electronic		
Governing Class:	ISO 8528 G2		
Compression Ratio:	16.1:1		
Displacement: l (cu. in)	8.8 (537.0)		
Moment of Inertia: kg m <sup>2</sup> (lb/in <sup>2</sup> )	2.40 (8212)		
<b>Engine Electrical System:</b>			
- Voltage / Ground	24/Negative		
- Battery Charger Amps	45		
Weight: kg (lb)			
- Dry	778 (1715)		
- Wet	800 (1764)		

Performance	50 Hz	60 Hz
Engine Speed: rpm	1500	-
<b>Gross Engine Power: kW (hp)</b>		
- Prime	258.0 (346.0)	-
- Standby	281.0 (377.0)	-
<b>BMEP: kPa (psi)</b>		
- Prime	2344.0 (339.9)	-
- Standby	2552.0 (370.2)	-

Fuel System				
Fuel Filter Type:	Replaceable Element			
Recommended Fuel:	Class A2 Diesel or BSEN590			
<b>Fuel Consumption: l/hr (US gal/hr)</b>				
	110%	100%	75%	50%
Prime	Load	Load	Load	Load
50 Hz	63.4 (16.7)	58.1 (15.3)	44.1 (11.6)	31.5 (8.3)
60 Hz	-	-	-	-
		100%	75%	50%
Standby		Load	Load	Load
50 Hz		63.1 (16.7)	47.6 (12.6)	33.9 (9.0)
60 Hz		-	-	-

(Based on diesel fuel with a specific gravity of 0.85 and conforming to BS2869, Class A2)

Air Systems	50 Hz	60 Hz
Air Filter Type:	Paper Element	
<b>Combustion Air Flow: m<sup>3</sup>/min (cfm)</b>		
- Prime	15.1 (533)	-
- Standby	16.4 (579)	-
<b>Max. Combustion Air Intake Restriction: kPa (in H<sub>2</sub>O)</b>		
	6.2 (24.9)	-

Cooling System	50 Hz	60 Hz
Cooling System Capacity: l (US gal)	36.0 (9.5)	-
<b>Water Pump Type:</b> Centrifugal		
<b>Heat Rejected to Water &amp; Lube Oil:</b>		
kW (Btu/min)		
- Prime	113.0 (6426)	-
- Standby	115.0 (6540)	-
<b>Heat Radiation to Room: Heat radiated from engine and alternator</b>		
kW (Btu/min)		
- Prime	31.3 (1780)	-
- Standby	33.5 (1905)	-
Radiator Fan Load: kW (hp)	7.7 (10.3)	-
Radiator Cooling Airflow: m <sup>3</sup> /min (cfm)	7.3 (258)	-
External Restriction to Cooling Airflow: Pa (in H <sub>2</sub> O)	125 (0.5)	-

Designed to operate in ambient conditions up to 50°C (122°F). Contact your local FG Wilson Dealer for power ratings at specific site conditions.

Lubrication System	
Oil Filter Type:	Spin-On, Full Flow
Total Oil Capacity: l (US gal)	39.0 (10.3)
Oil Pan: l (US gal)	36.0 (9.5)
Oil Type:	API CI-4 0W-30
Oil Cooling Method:	Water

Exhaust System	50 Hz	60 Hz
Maximum Allowable Back Pressure: kPa (in Hg)	10.0 (3.0)	-
<b>Exhaust Gas Flow: m<sup>3</sup>/min (cfm)</b>		
- Prime	41.5 (1466)	-
- Standby	46.3 (1635)	-
<b>Exhaust Gas Temperature: °C (°F)</b>		
- Prime	574 (1065)	-
- Standby	576 (1069)	-



Alternator Physical Data		Alternator Operating Data	
Manufactured for FG Wilson by:	Peroy Döme	Over speed:	rpm 2250
Model:	LL5014J	Voltage Regulation: (Steady state)	+/- 0.5%
No. of Bearings:		Wave Form IEC = THF:	2.0%
Insulation Class:	H	Total Harmonic content LL/LN:	4.0%
Winding Pitch Code:	2/3 - 6	Radio Interference:	Suppression is in line with European Standard EN61000-6
Wires:	12	Radiant Heat: kW (Btu/min)	
Ingress Protection Rating:	IP23	- 50 Hz	18.5 (1052)
Excitation System:	SHUNT	- 60 Hz	-
AVR Model:	R250		

Alternator Performance Data:	50 Hz			60 Hz	
	415/240V	400/230V 230/115V 230 V	380/220V		
Motor Starting Capability* kVA	623	586	536		
Short Circuit Capacity** %	300	300	300		
Reactances: Per Unit					
Xd	2.691	2.896	3.209		
X'd	0.123	0.133	0.147		
X''d	0.073	0.079	0.088		

Reactances shown are applicable to prime ratings.  
 \*Based on 30% voltage dip at 0.6 power factor and SHUNT excitation.  
 \*\*With optional permanent magnet generator or AREP excitation.

Output Ratings Technical Data 50 Hz				
Voltage	Prime:		Standby:	
	kVA	kW	kVA	kW
415/240V	275.0	220.0	300.0	240.0
400/230V	275.0	220.0	300.0	240.0
380/220V	275.0	220.0	300.0	240.0
230/115V	275.0	220.0	300.0	240.0
230 V	275.0	220.0	300.0	240.0

Output Ratings Technical Data 60 Hz				
Voltage	Prime:		Standby:	
	kVA	kW	kVA	kW



#### Documentation

A full set of operation and maintenance manuals

#### Generator Set Standards

The equipment meets the following standards: BS5000, ISO 8528, ISO 3046, IEC 60034, NEMA MG-1.22.

FG Wilson is a fully accredited ISO 9001 company.

#### Warranty

All prime equipment carries a one year manufacturer's warranty. Standby equipment, limited to 500 running hours per year, has a two year manufacturer's warranty. For details on warranty cover please contact your local Dealer, or visit our website: [FGWilson.com](http://FGWilson.com).

#### Dealer contact details:

#### FG Wilson manufactures product in the following locations:

Northern Ireland • Brazil • China • India • USA

With headquarters in Northern Ireland, FG Wilson operates through a Global Dealer Network.

To contact your local Sales Office please visit the FG Wilson website at [www.FGWilson.com](http://www.FGWilson.com).

FG Wilson is a trading name of Caterpillar (NI) Limited.