

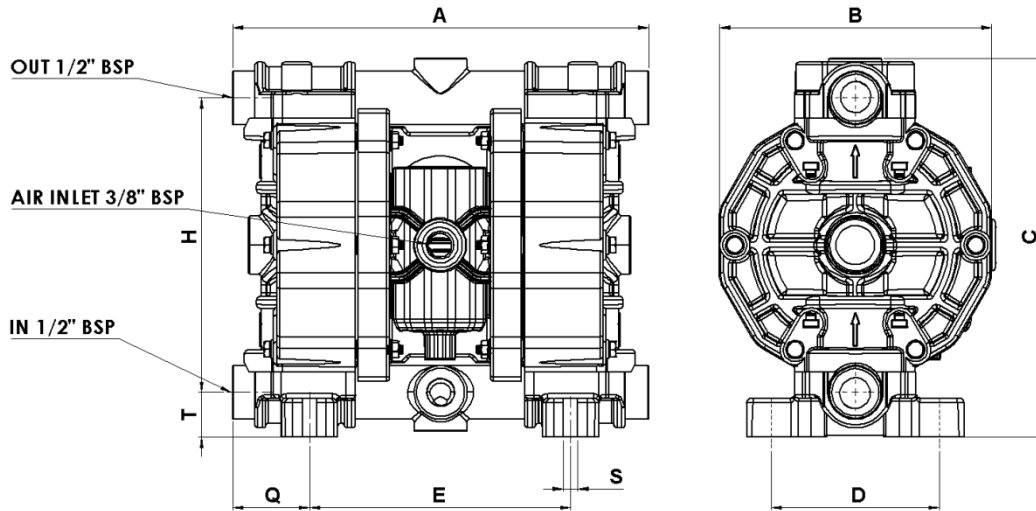
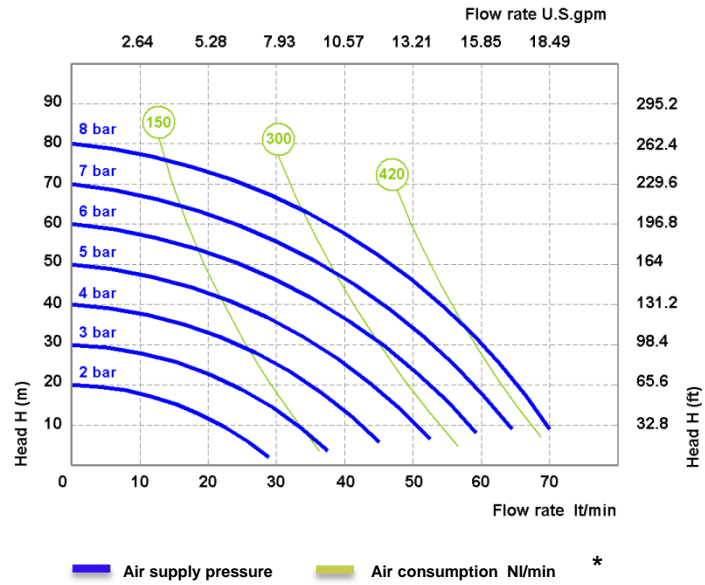
TECHNICAL DATA SHEET PHOENIX P65



PP PVDF+CF ALU AISI 316

TECHNICAL DATA P65

- FLUID CONNECTIONS : 1/2" BSP
- AIR CONNNECTION : 3/8" BSP
- MAX FLOW RATE : 70 lt/min
- MAX AIR PRESSURE: 8 bar
- MAX DELIVERY HEAD: 80 m
- MAX SUCTION LIFT DRY: 6 m
- MAX SUCTION LIFT WET: 9,8 m
- MAX SOLID PASSING: 3,5 mm
- NOISE LEVEL: 72 dB
- DISPLACEMENT FOR CYCLE: 100 cc
- MAX VISCOSITY : 25.000 cps
- ATEX zone 2 : EX II 3/3 GD c IIB T135°C



PHOENIX P65	A	B	C	D	E	H	Q	S	T	Weight Kg	Max Temperature
PP	265	175	245	108	168	189	50	9	29	6,5	65 °C
PVDF+CF	265	175	245	108	168	189	50	9	29	7	95 °C
ALU	265	175	245	108	168	189	48	9	29	7	95 °C
AISI 316	250	175	250	89	176	187	47	9	40	9	95 °C

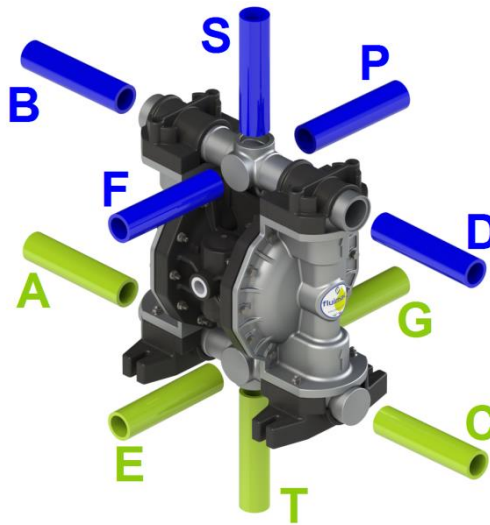
* The curves and performance values refer to pumps with submerged suction and a free delivery outlet with water at 20°C, and vary according to the construction material. Technical data are approximate and not binding for the manufacturer who reserves the right to change them without notice at any time.

COMPOSITION

MODEL	CASING	DIAPHRAGM	BALL	SEATS	GASKET	CONNECTIONS	ATEX	PORTS IN/OUT
P0065	P= PP KC= PVDF+CF A= ALU S=SS	HT=HYTREL+PTFE MT=SANTOPRENE+PTFE H=HYTREL M=SANTOPRENE D=EPDM N=NBR	T= PTFE S= SS D=EPDM N=NBR	P=PP K=PVDF A=ALU S=SS Z=PE-UHMWE	D=EPDM V=VITON N=NBR T=PTFE	1=BSP 2=FLANGED 5=NPT	- = zone 2	AB=Standard

AVAILABLE CONNECTIONS

Standard = A B
 IN = A-E-T-C-G
 OUT =B-S-D-F-P



HOW TO READ THE CODE

