

TECHNICAL DATA SHEET PHOENIX P07



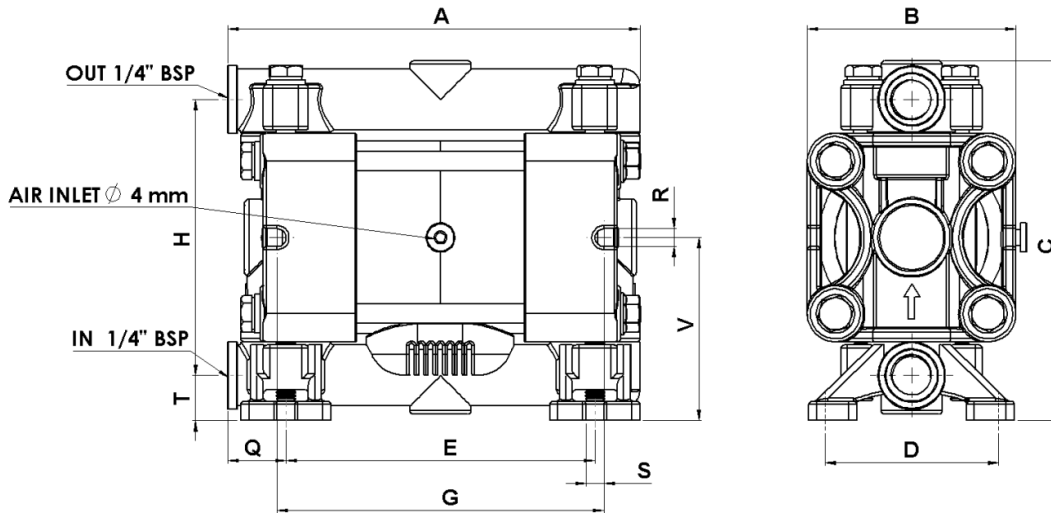
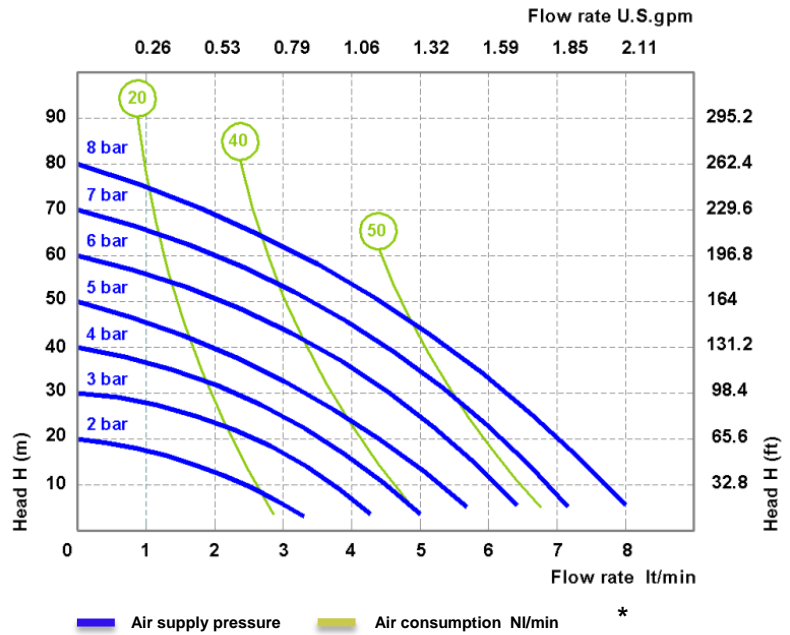
PP

PVDF+CF

POMc

TECHNICAL DATA P07

- FLUID CONNECTIONS : 1/4" BSP
- AIR CONNECTION : 4 mm
- MAX FLOW RATE : 8 lt/min
- MAX AIR PRESSURE: 8 bar
- MAX DELIVERY HEAD: 80 m
- MAX SUCTION LIFT DRY: 3 m
- MAX SUCTION LIFT WET: 9,8 m
- MAX SOLID PASSING: 2,5 mm
- NOISE LEVEL: 62 dB
- DISPLACEMENT FOR CYCLE: 8 cc
- MAX VISCOSITY : 6.000 cps
- ATEX zone 2 : EX II 3/3 GD c IIB T135°C



PHOENIX P07	A	B	C	D	E	G	H	Q	R	S	T	V	Weight Kg	Max Temperature
PP	129	65	112	54	96	102	86	18	5.5	5.5	14	57	0.9	65 °C
PVDF+CF	129	65	112	54	96	102	86	18	5.5	5.5	14	57	0.7	95°C
POMc	129	65	112	54	96	102	86	18	5.5	5.5	14	57	0.9	95 °C

* The curves and performance values refer to pumps with submerged suction and a free delivery outlet with water at 20°C, and vary according to the construction material. Technical data are approximate and not binding for the manufacturer who reserves the right to change them without notice at any time.

COMPOSITION

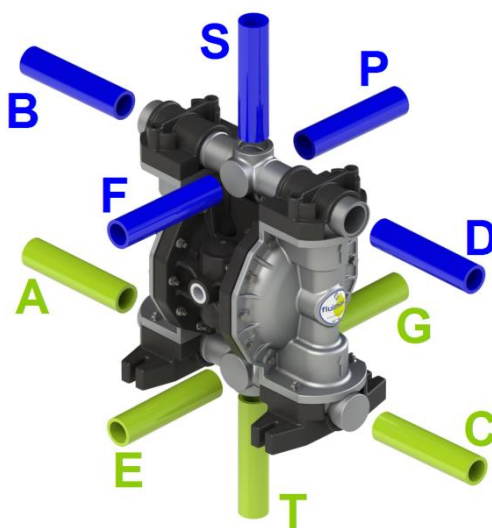
MODEL	CASING	DIAPHRAGM	BALL	SEATS	GASKET	CONNECTIONS	ATEX	PORTS IN/OUT
P0007	P= PP KC= PVDF+CF O= POMc	NT=NBR+PTFE	T= PTFE S= SS	P=PP K=PVDF O=POMc	D=EPDM V=VITON N=NBR T=PTFE	1=BSP 5=NPT	- = zone 2	AB=Standard

AVAILABLE CONNECTIONS

Standard = A B

IN = A-T-C

OUT =B-S-D



HOW TO READ THE CODE

