



### Application

- Can be used to transfer clean water or other liquids similar to water in physical and chemical properties
- Suitable for small living water supply, automatic water sprinkler system, small air conditioner system or supporting equipment etc.

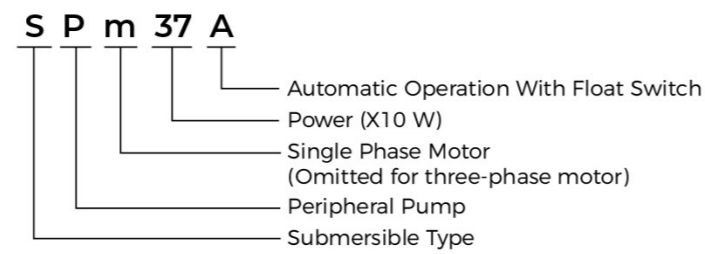
### Pump

- Special anti-rust treatment for cast iron pump body
- Max. fluid temperature: +40°C
- Max. immersion depth: 5 m
- Liquid PH value: 6.5 - 8.5
- Maximum sand content: 0.1%
- Maximum solid diameter: 0.2 mm

### Motor

- Motor with copper winding
- Insulation class: F
- Protection class: IPX8

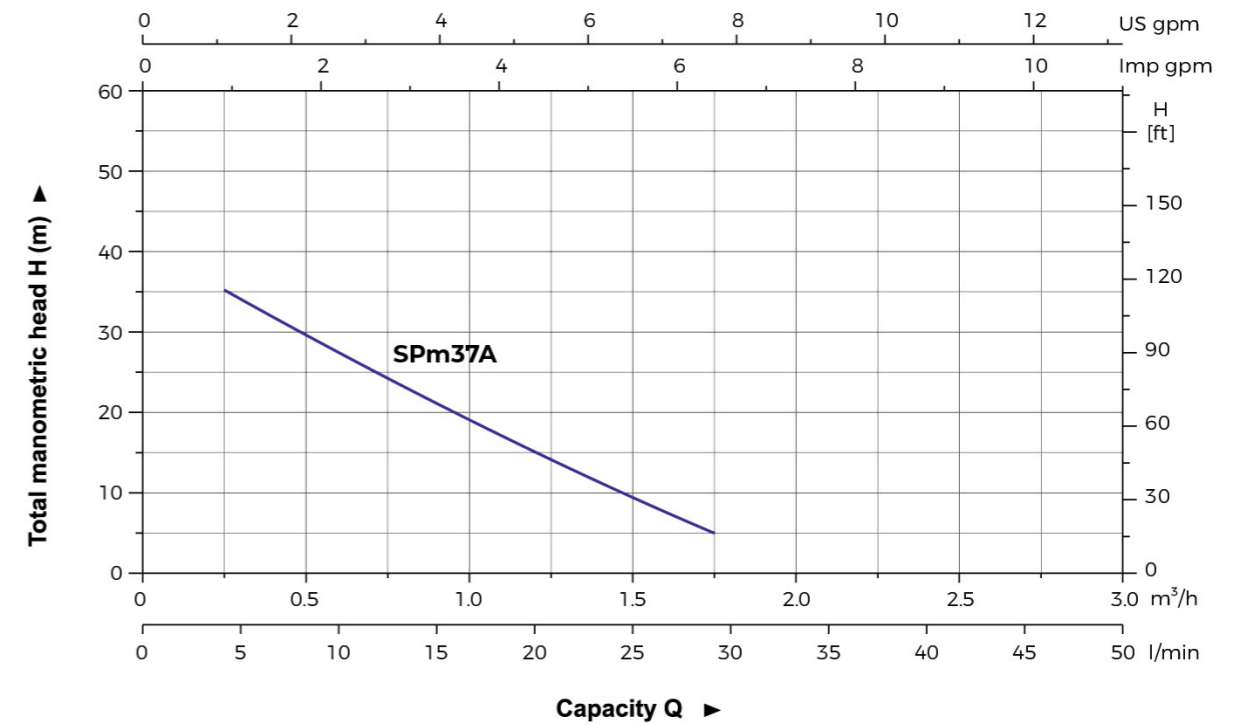
### Identification Codes



### Technical Data

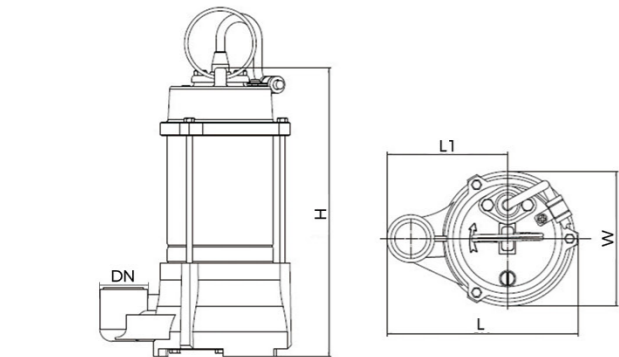
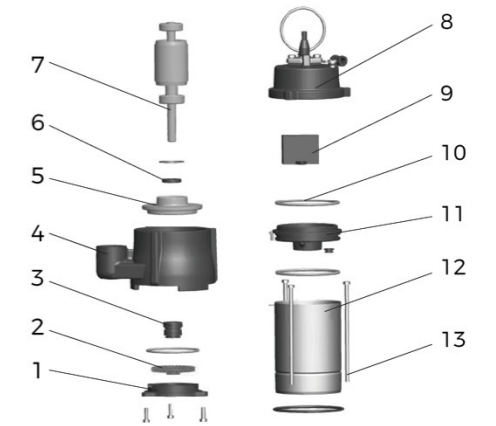
Model	Power		Q(m³/h) Q(l/min)	0	0.5	1	1.5	2.0
	kW	HP		H(m)	0	8.35	16.7	25.05
SPm37A	0.37	0.5	H(m)	40	30	20	10	0

### Hydraulic Performance Curves



### Materials Table

No.	Part	Material
1	Casing cover	HT200
2	Impeller	Brass
3	Mechanical seal	Carbon/Ceramic
4	Pump body	HT200
5	Lower bearing seat	ZL 102
6	Oil seal	
7	Rotor	
8	Top cover	HT200
9	Capacitor	
10	O-ring	NBR
11	Upper bearing seat	HT200
12	Stator	
13	Screw	



### Dimension

Model	DN	L (mm)	L1 (mm)	H (mm)	W (mm)
SPm37A	1"	170	106	244	118

### Package Information

Model	GW (Kgs)	L (mm)	W (mm)	H (mm)	Quantity (PCS/20'TEU)
SPm37A	7.56	184	135	300	2439

