

STK
Submersible Peripheral Pump



Application

- Clean water or other liquids similar to water in physical and chemical properties
- Small living water supply, Automatic water sprinkler system, Garden irrigation, Temporary water taking etc.

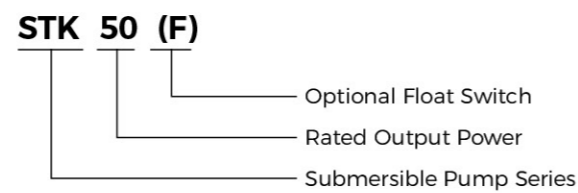
Pump

- Low noise (55dB) and Less vibration
- Small and exquisite, easy to install and carry
- Auto-Start/Stop (with float switch type)
- Engineering plastic material have no pollution to water

Motor

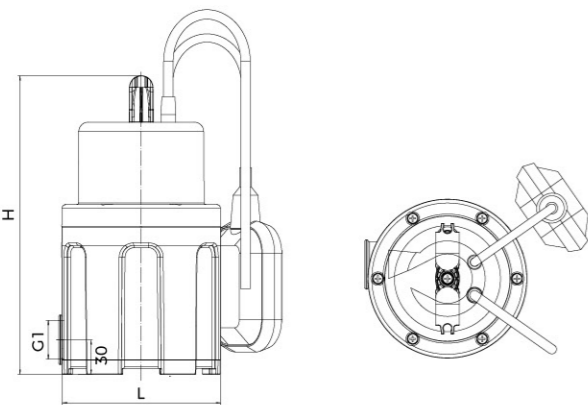
- Insulation class: F
- Enclosures class: IPX8

Identification Codes



Technical Data

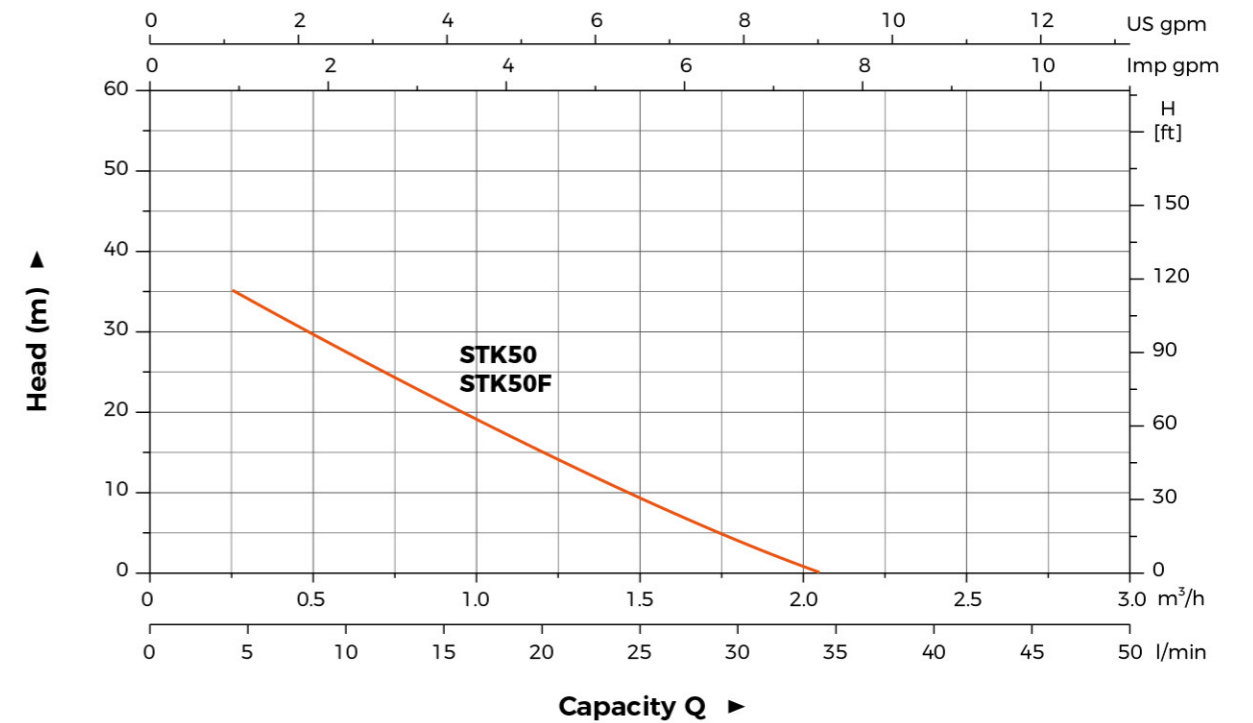
Model	Voltage (V/Hz)	Power		Max.flow		Max.head m	Max.immersion Depth (m)	Outlet
		kW	HP	L/min	m ³ /h			
STK50(F)	220-240	0.37	0.5	37	2.2	35	3.5	1"



Dimension

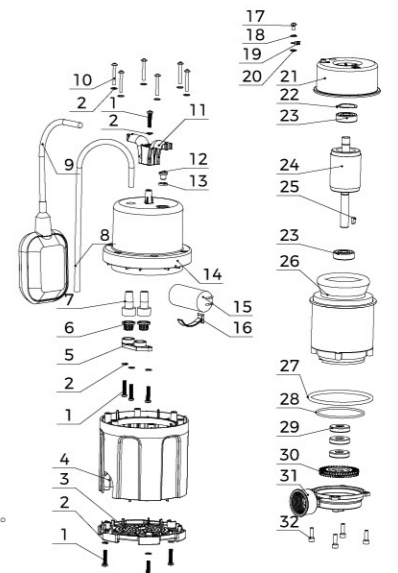
Model	DN	L (mm)	H (mm)
STK50	1"	135	255
STK50F	1"	135	255

Hydraulic Performance Curves



Material Table

No.	Part	Material	No.	Part	Material
1	Screw		17	Screw M4×8	
2	Washer		18	Spring washer	
3	Pedestal	PP	19	Cold compacting	
4	Plastic support	PP	20	Serrated lock washer	
5	Cable clamp	PA	21	Bearing cover	ADC12
6	Cable plate	PA	22	Spring washer	
7	Cable jacket	EPDM	23	Bearing	
8	Cable		24	Rotor	
9	Float switch		25	Shaft key	
10	Screw		26	Winding	
11	Handle	PP	27	O-ring	
12	Screw		28	O-ring	
13	O-ring		29	Framework oil seal	
14	Top cap	PP	30	Impeller	HPb59-1
15	Capacitor		31	Pump body subassembly	ADC12
16	Capacitor clamp	PC/ABC	32	Hexagon socket cap screws	



Package Information

Model	GW (Kgs)	L (mm)	W (mm)	H (mm)	Quantity (PCS/20'TEU)
STK50	3.95	150	150	320	3024
STK50F	4.12	150	150	270	3332

