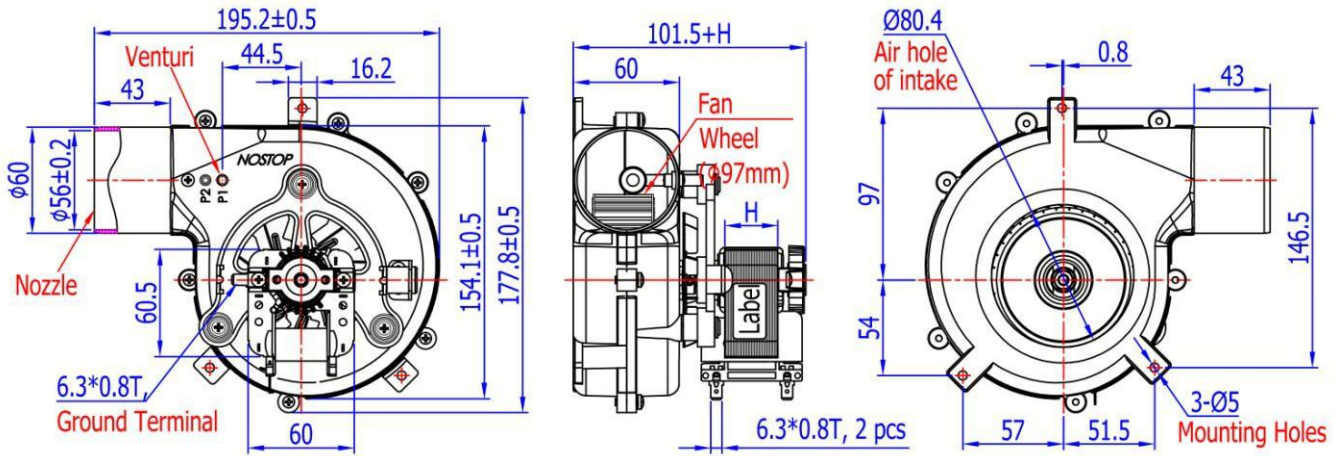




Brief Introduction:

1. It's mainly used for **gas boiler, fuel boiler, pellet stove, water boiler, home air-pipe**, etc. The input power can be adjusted during 25~65W.
2. The air-housing can be made of die-cast aluminium or galvanized steel, the fan wheel can be made of sheet aluminium or galvanized steel, and the motor can be of shaded pole type, capacitor type, or brushless one.
3. Long lifetime, low noise, stable running & withstand high temperature.
4. Class 180 (H) insulation, ambient temperature permits 250°C.

Basic Dimensions (viewed by 1st angle):



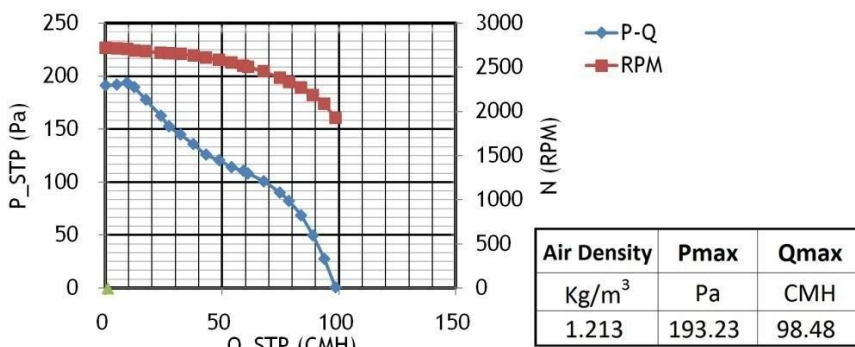
Remark: "H" in the drawing refers to the motor stack height. It would be different based on different power & different speeds needed

Notes: Based on the same fan wheel and air housing, adjusting the motor stack & design, the specs are as follow.

Technical Performances of Some Typical Models:

Models of the Blower	Motor Height	Rated Supply		Technical Performances					
		Volt.	Freq'y	Input Power	Input Current	Output Speed	Max. Air Pressure	Max. Airflow	Noise
		(H)	(VAC)	(Hz)	(W)	(A)	(rpm)	(Pa)	(m ³ /h)
NCF9735-SP6025B-25W	25mm	220	50	25	0.21	1500	136	72.0	≤50
NCF9735-SP6025B-35W	25mm	220	50	35	0.33	1950	193	98.5	≤57
NCF9735-SP6030B-45W	30mm	220	50	45	0.46	2200	256	118.0	≤61

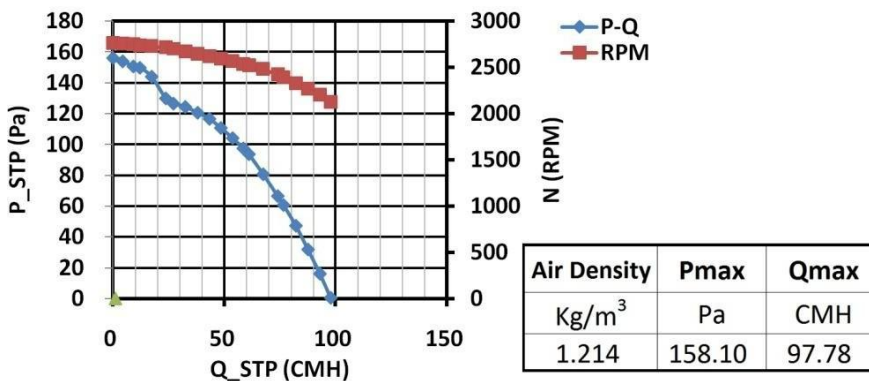
Performance Curve of NCF9735-SP6025B35 (as an example):



Technical Performances of Some Typical Models:

Models of the Blower	Motor Height	Rated Supply		Technical Performances					
		Volt.	Freq'y	Input Power	Input Current	Output Speed	Max. Air Pressure	Max. Airflow	Noise
	(H)	(VAC)	(Hz)	(W)	(A)	(rpm)	(Pa)	(m ³ /h)	(dB)
NCF8535-SP6020B-15W	20mm	220	50	15	0.14	1350	61	50	≤47
NCF8535-SP6020B-20W	20mm	220	50	20	0.19	1500	78	65	≤52
NCF8535-SP6025B-30W	25mm	220	50	30	0.32	2150	158	98	≤54

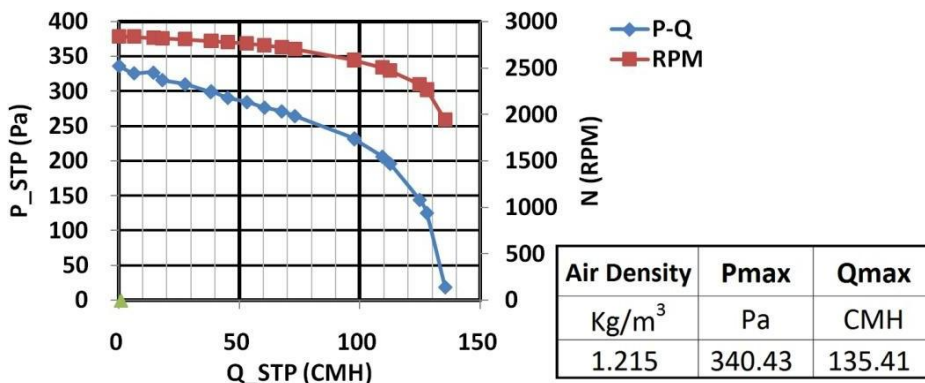
Performance Curve of NCF8535-SP6025B30 (as an example):



Technical Performances of Some Typical Models:

Models of the Blower	Motor Height	Rated Supply		Technical Performances					
		Volt.	Freq'y	Input Power	Input Current	Output Speed	Max. Air Pressure	Max. Airflow	Noise
	(H)	(VAC)	(Hz)	(W)	(A)	(rpm)	(Pa)	(m ³ /h)	(dB)
NCF10845-SP6325B-45W	25mm	220	50	45	0.42	1560	245	115	≤59
NCF10845-SP6330B-55W	30mm	220	50	55	0.57	1780	280	121	≤63
NCF10845-SP6335B-65W	35mm	220	50	65	0.68	1950	340	135	≤67

Performance Curve of NCF10845-SP6335B30 (as an example):



Remarks: The air speed is tested at 50cm far away from the air-outlet hole, and the noise is tested at 80m far away. The tolerances of the current, the power and the speeds are permitted by ±15%. This catalog listed just some typical models. Other requirements are possible. OEM & ODM are both welcome.

