

NSP63 Series (Output: 1~25W Approx.)



Brief Introduction :

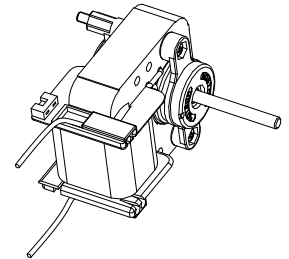
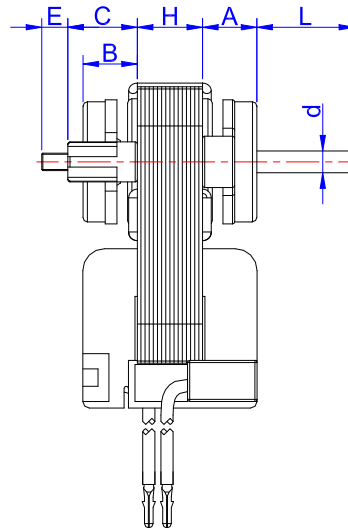
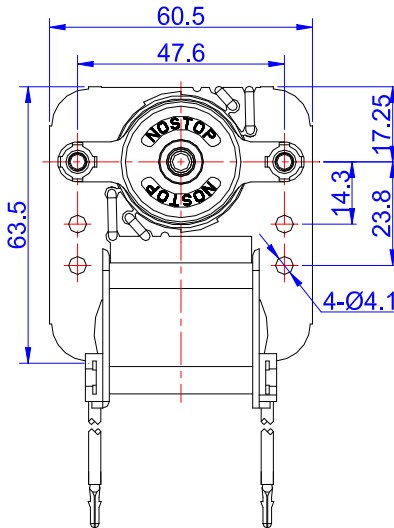
1. The rated voltage and the frequency can be any as needed.
2. The output power of the motor can be from 1 - 25W (approx.).
3. The shaft diameter (d) can be: Ø3.17, Ø4, Ø 4.5, Ø5, Ø5.5, Ø6, Ø6.35mm, with D-cuts, threads, etc., and the shaft length (L) can be any as needed.
4. The stator thickness (H) can be any from 8mm to 50mm.
5. The bearing can be either sleeve or ball bearing as needed.
6. The brackets can be made either by steel or by zinc-aluminum alloy.
7. Motor rotation can be either CW or CCW as needed.
8. RoHS compliant is available. Lead out by terminals is also available

Typical Application :

Air-conditioner, Air-purifier, Air Pump, Blower, Fan Heater, Hand-dryer, Humidifier, Oven, Ventilator, Water Pump, etc

Outline Dimensions (All dimensions in millimeter) :

UL File No.: E326620



Indication of Letters:

- A: Front Bracket Height
- B: Rear Bracket Height
- C: Raising Pole Height
- D: Shaft Diameter
- E: Mounting Screw Ex. Length
- H: Stator Stack Height
- L: Shaft Extended Length

Remarks: only the dimensions marked in letters are changeable as needed. Other dimensions are fixed.

Technical Performances (tested under room temperature) :

UL File No.: E326620

| Specs | Stack Height (mm) | Rated Supply | | No Load | | | At Max. Efficiency. | | | | At Stall | |
|---------|-------------------|--------------|------------|---------------|-------------|---------------|---------------------|-------------|---------------|--------------|---------------|---------------|
| | | Volt. (VAC) | Freq. (Hz) | Current (Amp) | Speed (rpm) | Power (Watts) | Current (Amp) | Speed (rpm) | Power (Watts) | Torque (mNm) | Current (Amp) | Power (Watts) |
| NSP6312 | 12 | 230 | 50 | 0.115 | 2750 | 11.7 | 0.119 | 1960 | 15.6 | 7.0 | 0.125 | 15.4 |
| NSP6313 | 13 | 120 | 60 | 0.409 | 3378 | 18.7 | 0.445 | 2792 | 23.2 | 14.8 | 0.502 | 26.7 |
| | | 120 | 60 | 0.500 | 3320 | 23.6 | 0.543 | 2366 | 31.7 | 12.6 | 0.570 | 32.5 |
| NSP6315 | 15 | 230 | 50 | 0.230 | 2750 | 20.0 | 0.250 | 1612 | 27.2 | 18.3 | 0.250 | 27.5 |
| | | 120 | 60 | 0.610 | 3400 | 26.3 | 0.850 | 2400 | 41.5 | 21.5 | 0.700 | 34.0 |
| NSP6318 | 18 | 220 | 50 | 0.362 | 2800 | 31.0 | 0.412 | 2530 | 12.5 | 28.7 | 0.448 | 50.8 |
| | | 120 | 60 | 0.632 | 3436 | 30.1 | 0.830 | 2864 | 40.3 | 26.7 | 0.787 | 41.5 |
| NSP6322 | 22 | 220 | 50 | 0.193 | 2850 | 18.0 | 0.245 | 2450 | 21.0 | 12.3 | 0.287 | 31.3 |
| | | 120 | 60 | 0.322 | 3500 | 17.8 | 0.420 | 2800 | 27.6 | 19.0 | 0.522 | 33.6 |
| NSP6338 | 38 | 240 | 50 | 0.921 | 2900 | 83.0 | 1.650 | 2500 | 94.1 | 50.8 | 1.280 | 148.2 |
| | | 120 | 60 | 1.570 | 3500 | 80.7 | 1.962 | 2775 | 124.6 | 88.3 | 2.300 | 138.0 |

Remarks: This catalog listed just some typical models. The performances as above are just for reference only. We can adjust our motor specifications according to what the customer needs. OEM & ODM are both welcome.