

fixed-mounted circuit breaker 3-pole, size II, IEC In=2000A to 690V, AC50/60Hz Icu=66kA at 500V rear connection horizontal Overcurrent release ETU 25 LSI protection adjustable 0.4-1 in With manual operating mechanism with storage with mechanical request without 1st auxiliary release without 2nd auxiliary release 2NO+2NC



| Model                                       |  |
|---|--|
| product brand name                          | SENTRON  |
| product designation                         | ACB  |
| design of the product                       | IEC 60947-2  |
| design of the actuating element             | Pushbutton   |
| type of the driving mechanism               | Manual operating mechanism with mechanical closing |
| type of the driving mechanism / motor drive | No   |

|  |          |
|--|----------|
| design of the overcurrent release  | ETU25B   |
| <b>General technical data</b>  |          |
| number of poles  | 3        |
| size of the circuit-breaker  | 2        |
| utilization category   | B        |
| circuit-breaker / Design   | 3WL1     |
| <b>Voltage</b>   |          |
| Rated insulation voltage $U_i$   | 1 000 V  |
| insulation voltage / rated value   | 1 000 V  |
| operating voltage  |          |
| • at AC / at 50/60 Hz / rated value  | 690 V    |
| <b>Protection class</b>  |          |
| protection class IP  | IP20     |
| protection class IP / on the front   | IP20     |
| protection function of the overcurrent release                               | LSI      |
| <b>Dissipation</b>   |          |
| power loss [W]   |          |
| • for rated value of the current / at AC / in hot operating state / per pole | 60 W     |
| • maximum  | 180 W    |
| <b>Current</b>   |          |
| continuous current / rated value / maximum                                   | 2 000 A  |
| continuous current / rated value   | 2 000 A  |
| adjustable current response value current                                    |          |
| • of the current-dependent overload release / full-scale value               | 2 000 A  |
| • of instantaneous short-circuit trip unit / initial value                   | 40 000 A |
| • of instantaneous short-circuit trip unit / full-scale value                | 40 000 A |
| <b>Main circuit</b>  |          |
| operating frequency  |          |
| • 1 / rated value  | 50 Hz    |
| • 2 / rated value  | 60 Hz    |
| operational current  |          |
| • at 40 °C / rated value   | 2 000 A  |
| • at 50 °C / rated value   | 2 000 A  |
| • at 55 °C / rated value   | 2 000 A  |
| • at 60 °C / rated value   | 2 000 A  |
| • at 65 °C / rated value   | 2 000 A  |
| • at 70 °C / rated value   | 2 000 A  |

| Auxiliary circuit  |                                      |
|--|--------------------------------------|
| number of NC contacts / for auxiliary contacts   | 2                                    |
| number of NO contacts / for auxiliary contacts   | 2                                    |
| Suitability  |                                      |
| suitability for use  | Plant / motor protection             |
| Adjustable parameters  |                                      |
| adjustable current response value current / of the current-dependent overload release / initial value  | 800 A                                |
| Product details  |                                      |
| product component  |                                      |
| <ul style="list-style-type: none"> <li>• trip indicator</li> <li>• voltage trigger</li> <li>• undervoltage release</li> </ul>  | Yes<br>No<br>No                      |
| design of the auxiliary switch   | 2 NO + 2 NC                          |
| product extension / optional / motor drive   | Yes                                  |
| Product function   |                                      |
| product function   |                                      |
| <ul style="list-style-type: none"> <li>• grounding protection</li> <li>• phase failure detection</li> </ul>  | No<br>Yes                            |
| Display and operation  |                                      |
| display version  | without display                      |
| Short circuit  |                                      |
| breaking capacity operating short-circuit current (Ics)  |                                      |
| <ul style="list-style-type: none"> <li>• at 415 V / rated value</li> <li>• at 500 V / rated value</li> <li>• at 690 V / rated value</li> </ul>   | 66 kA<br>66 kA<br>50 kA              |
| <ul style="list-style-type: none"> <li>• breaking capacity maximum short-circuit current (Icu) / at 415 V / rated value</li> <li>• breaking capacity maximum short-circuit current (Icu) / at 500 V / rated value</li> <li>• breaking capacity maximum short-circuit current (Icu) / at 690 V / rated value</li> </ul> | 66 kA<br>66 kA<br>50 kA              |
| Connections  |                                      |
| arrangement of electrical connectors / for main current circuit  | Main connection rear side horizontal |
| type of electrical connection / for main current circuit   | busbar connection                    |
| Mechanical Design  |                                      |
| height   | 440.5 mm                             |
| width  | 460 mm                               |
| depth  | 337 mm                               |





|                  |                |
|------------------|----------------|
| fastening method | fixed mounting |
|------------------|----------------|



### Environmental conditions

|  |                            |
|--|----------------------------|
| ambient temperature / during operation   |                            |
| <ul style="list-style-type: none"> <li>• minimum</li> <li>• maximum</li> </ul> | <p>-20 °C</p> <p>70 °C</p> |
| ambient temperature / during storage   |                            |
| <ul style="list-style-type: none"> <li>• minimum</li> <li>• maximum</li> </ul> | <p>-40 °C</p> <p>70 °C</p> |

### Certificates

|   |                   |
|---|-------------------|
| reference code  |                   |
| <ul style="list-style-type: none"> <li>• acc. to DIN EN 61346-2</li> <li>• acc. to IEC 81346-2</li> </ul> | <p>Q</p> <p>Q</p> |

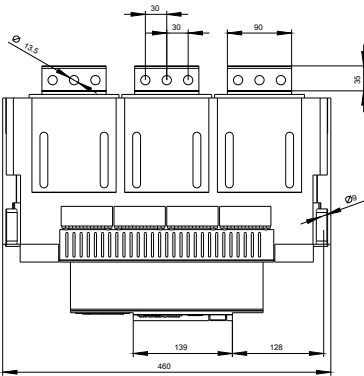
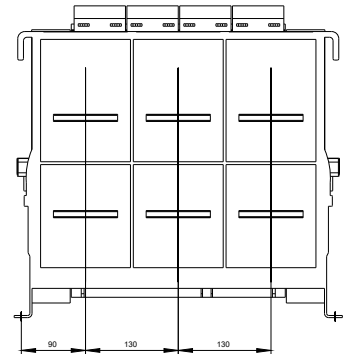
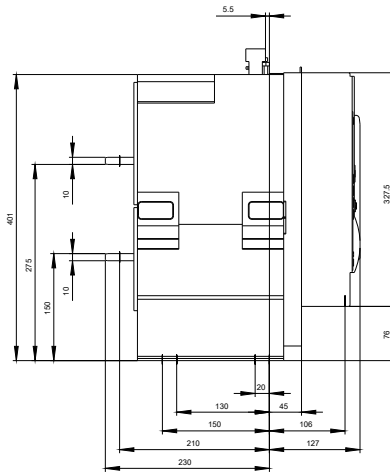
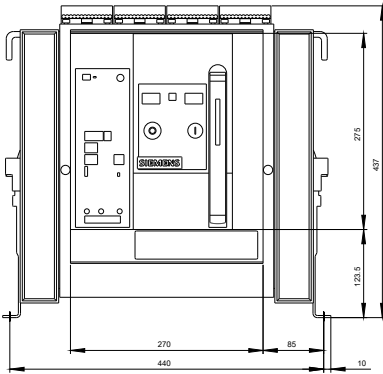
| General Product Approval   | Declaration of Conformity   | Test Certificates                        | Shipping Approval   |
|--|---|--|---|
| <br>CCC | <br>EG-Konf. | <a href="#">Special Test Certificate</a> | <br>ABS            |
|  |   | <a href="#">Miscellaneous</a>            | <br>BUREAU VERITAS |

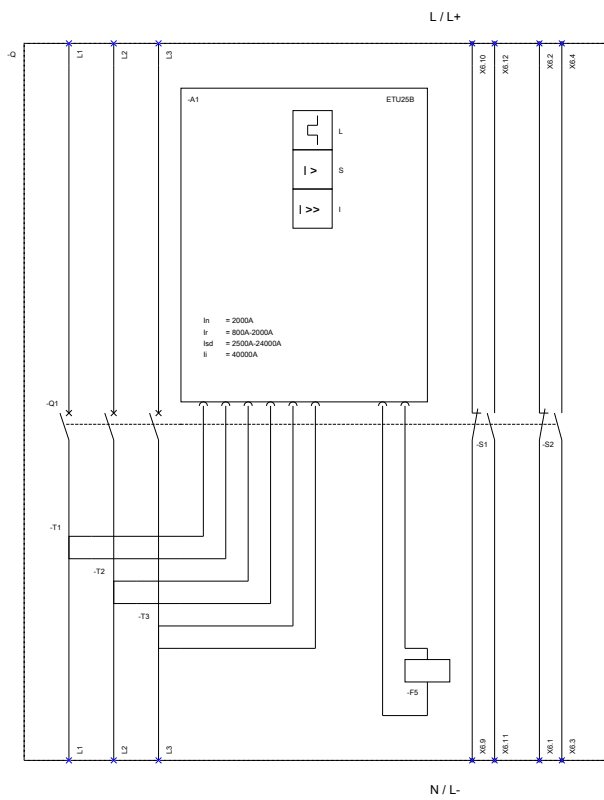
| Shipping Approval  | other  |
|--|--|
| <br>LRS | <br>RMRS  |
|  | <a href="#">CCS / China Classification Society</a> <a href="#">Environmental Confirmations</a> <a href="#">Manufacturer Declaration</a> <a href="#">Confirmation</a> |

|                               |
|-------------------------------|
| <b>other</b>                  |
| <a href="#">Miscellaneous</a> |

### Further information

- Industry Mall (Online ordering system)**  
[mall.industry.siemens.com/mall/en/en/Catalog/product?mlfb=3WL1220-2CB32-1AA2](http://mall.industry.siemens.com/mall/en/en/Catalog/product?mlfb=3WL1220-2CB32-1AA2)
- Service&Support (Manuals, Certificates, Characteristics, FAQs,...)**  
[support.industry.siemens.com/cs/ww/en/ps/3WL1220-2CB32-1AA2](http://support.industry.siemens.com/cs/ww/en/ps/3WL1220-2CB32-1AA2)
- Image database (product images, 2D dimension drawings, 3D models, device circuit diagrams, ...)**  
[automation.siemens.com/bilddb/cax\\_en.aspx?mlfb=3WL1220-2CB32-1AA2](http://automation.siemens.com/bilddb/cax_en.aspx?mlfb=3WL1220-2CB32-1AA2)
- CAX-Online-Generator**  
[siemens.com/cax](http://siemens.com/cax)
- Tender specifications**  
[siemens.com/specifications](http://siemens.com/specifications)





L (Long Time Delay / Überlastschutz); S (Short Time Delay / Kurzschlusschutz, kurzzeitverzögert);  
 I (Instantaneous / Kurzschlusschutz, unverzögert); F5 (Maglatch for trip unit / Auslösemagnet);  
 S1 - S8 (Auxiliary switch / Hilfsschalter);

**last modified:**

12/10/2020