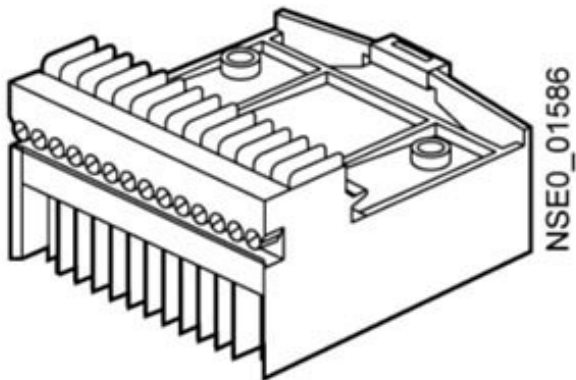


accessories circuit breaker 3WL wiper contact module f.
withdrawable circ.breaker sigut



Model	
product brand name	SENTRON
design of the product	Sliding contact modules for guide frames SIGUT
Accessories	
accessories	Other

General Product Approval	EMC	Declaration of Conformity	Test Certificates	other
--------------------------	-----	---------------------------	-------------------	-------



Miscellaneous

[Environmental Confirmations](#)

[Manufacturer Declaration](#)

other

[Miscellaneous](#)

Further information

Information- and Downloadcenter (Catalogs, Brochures,...)

[siemens.com/lowvoltage/catalogs](https://www.siemens.com/lowvoltage/catalogs)

Industry Mall (Online ordering system)

mall.industry.siemens.com/mall/en/en/Catalog/product?mlfb=3WL9111-0AB18-0AA0

Service&Support (Manuals, Certificates, Characteristics, FAQs,...)

support.industry.siemens.com/cs/ww/en/ps/3WL9111-0AB18-0AA0

Image database (product images, 2D dimension drawings, 3D models, device circuit diagrams, ...)

automation.siemens.com/bilddb/cax_en.aspx?mlfb=3WL9111-0AB18-0AA0

CAX-Online-Generator

[siemens.com/cax](https://www.siemens.com/cax)

Tender specifications

[siemens.com/specifications](https://www.siemens.com/specifications)