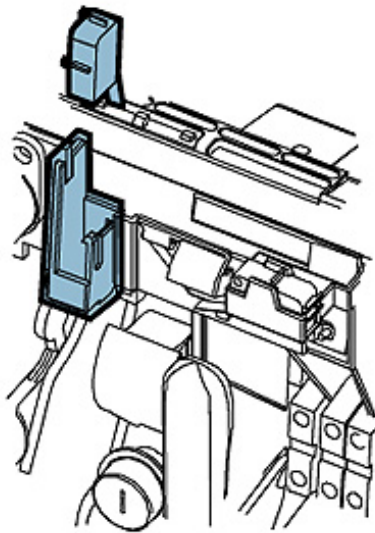


accessories circuit breaker 3WL ready to run message s20



NSE0_00993a

Model	
product brand name	SENTRON
design of the product	Accessories
General technical data	
degree of pollution	3
Voltage	
surge voltage resistance / rated value	4 kV
Supply voltage	
operating voltage	
<ul style="list-style-type: none"> at AC / at 50 Hz / rated value / maximum 	250 V
<ul style="list-style-type: none"> at DC / rated value / maximum 	250 V
Current	
operational current	
<ul style="list-style-type: none"> at AC-12 / at 230 V / rated value 	8 A
<ul style="list-style-type: none"> at DC-12 / at 230 V / rated value 	0.2 A
<ul style="list-style-type: none"> at DC-12 / at 110 V / rated value 	0.4 A

General Product Approval	EMC	Declaration of Conformity	Test Certificates	other
--------------------------	-----	---------------------------	-------------------	-------



Miscellaneous

[Environmental Confirmations](#)

[Manufacturer Declaration](#)

other

[Miscellaneous](#)

Further information

Information- and Downloadcenter (Catalogs, Brochures,...)

[siemens.com/lowvoltage/catalogs](https://www.siemens.com/lowvoltage/catalogs)

Industry Mall (Online ordering system)

mall.industry.siemens.com/mall/en/en/Catalog/product?mlfb=3WL9111-0AH01-0AA0

Service&Support (Manuals, Certificates, Characteristics, FAQs,...)

support.industry.siemens.com/cs/ww/en/ps/3WL9111-0AH01-0AA0

Image database (product images, 2D dimension drawings, 3D models, device circuit diagrams, ...)

automation.siemens.com/bilddb/cax_en.aspx?mlfb=3WL9111-0AH01-0AA0

CAX-Online-Generator

[siemens.com/cax](https://www.siemens.com/cax)

Tender specifications

[siemens.com/specifications](https://www.siemens.com/specifications)