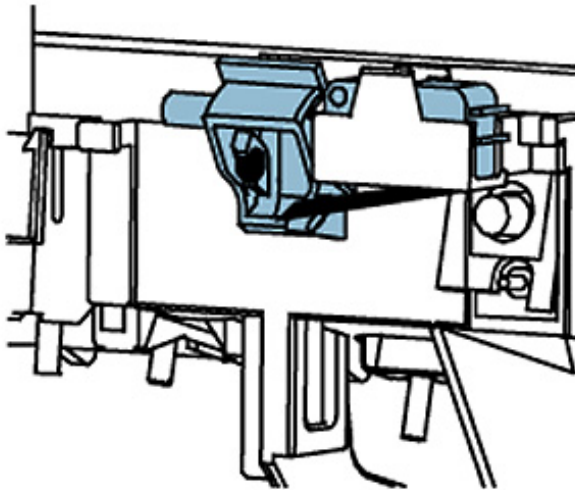


accessories circuit breaker 3WL electr. on-pushbut. In op.panel with sealing cape Incl. connection cables



NSE0_00997a

Model

Product brand name	SENTRON
Design of the product	Electrical ON pushbutton in the control console with sealing cap

Certificates

Declaration of Conformity	Test Certificates	Shipping Approval	other		
---------------------------	-------------------	-------------------	-------	--	--



Miscellaneous



[Environmental Confirmations](#)

[Manufacturer Declaration](#)

Miscellaneous

Further information

Information- and Downloadcenter (Catalogs, Brochures,...)
siemens.com/lowvoltage/catalogs

Industry Mall (Online ordering system)
mall.industry.siemens.com/mall/en/en/Catalog/product?mlfb=3WL9111-0AJ02-0AA0

Service&Support (Manuals, Certificates, Characteristics, FAQs,...)
support.industry.siemens.com/cs/ww/en/ps/3WL9111-0AJ02-0AA0

Image database (product images, 2D dimension drawings, 3D models, device circuit diagrams, ...)
automation.siemens.com/bilddb/cax_en.aspx?mlfb=3WL9111-0AJ02-0AA0

CAx-Online-Generator
[siemens.com/cax](https://www.siemens.com/cax)

Tender specifications
[siemens.com/specifications](https://www.siemens.com/specifications)