

SensoIRIS S130

Optical-Smoke Fire Alarm Detector

EN54-7

Description

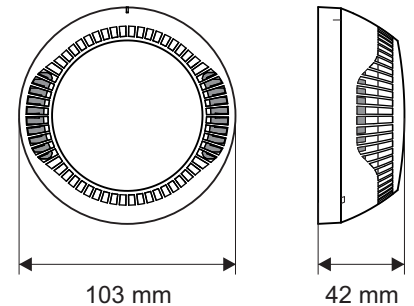
SensoIRIS S130 is an addressable optical-smoke detector designed for installing in addressable fire alarm systems supporting TTE communication protocol. The detector is powered on from the panel and can be controlled via the communication protocol.



Technical and Environmental Specifications

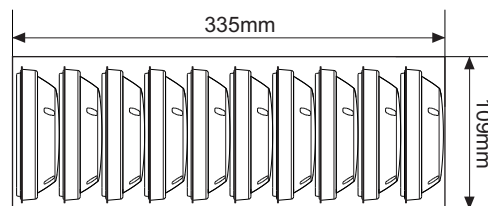
Operating Voltage Range	15 - 32VDC (Nom. 27VDC)
Consumption in quiescent state, no communication . . .	< 160µA@27VDC
Consumption in quiescent state, with communication . .	< 200µA@27VDC
Consumption in alarm state, with communication	6.5mA
Sensitivity, selectable from control panel.	High/ Normal/ Middle/ Low
Output in alarm state at terminal RI (terminals 4/ 1) . . .	7.5 mA (max)/ 7.5V
Wire Gauge for terminals.	0.4mm ² - 2.0mm ²
Operating temperature	-10°C to +60°C
Relative humidity resistance	(93 ± 3)% @ 40°C
Protection	IP30
Weight (including base).	~125g
Dimensions (including base)	103x42mm

CE 15
1293
DoP No: 023
1293-CPR-0452
Tested by EVPÜ



Packing Information

• **Master box** - 10 units SensoIRIS S130, dimensions 335 x 109 x 109 mm, without base. All detectors are protected with a plastic cap.



Compatible Product Range

- **IRIS** - Addressable Fire Panel, 4 loops, 96 Zones
- **IRIS PRO** - Addressable Fire Panel, metal box, 4 loops, 96 Zones
- **SIMPO** - Addressable Fire Panel, 2 loops, 48 Zones
- **SensoIRIS FRL-1** - Remote Fire Indicator
- **SensoIRIS B124** - Standard Base
- **SensoIRIS BSOU** - Addressable base with built-in sounder
- **SensoIRIS BSST** - Addressable base with built-in sounder and strobe
- **DeepBase W** - Deep base accessory, white, for mounting on rough surfaces, outdoor pipelines, etc.
- **SensoIRIS Programmer** - Address Programming Tool