



**MLFB-Ordering data:** 1LE1002-1AB42-2AA4

**Motor type:** 1AV1104B

Client order no.:

Order no.:

Offer no.:

Remarks:

Item no.:

Consignment no.:

Project:

U [V]	Δ / Y	f [Hz]	P [kW]	P [hp]	I [A]	n [1/min]	M [Nm]	NOM. EFF at ... load [%]			Power factor at ... load			I <sub>A</sub> /I <sub>N</sub> I <sub>f</sub> /I <sub>N</sub>	M <sub>A</sub> /M <sub>N</sub> T <sub>f</sub> /T <sub>N</sub>	M <sub>K</sub> /M <sub>N</sub> T <sub>B</sub> /T <sub>N</sub>	IE-CL
								4/4	3/4	2/4	4/4	3/4	2/4				
230	Δ	50	2.20	- / -	8.60	1425	15.0	79.7	80.3	78.1	0.81	0.72	0.58	5.1	2.3	2.7	IE1
400	Y	50	2.20	- / -	4.90	1425	15.0	79.7	80.3	78.1	0.81	0.72	0.58	5.1	2.3	2.7	IE1
460	Y	60	2.54	- / -	4.70	1720	14.0	83.0	83.7	82.1	0.82	0.75	0.62	5.8	2.2	2.4	IE1
IM B3 / IM 1001		FS 100 L		18 kg		IP55		IEC/EN 60034			IEC, DIN, ISO, VDE, EN						

### Mechanical data

Sound pressure level 50Hz/60Hz (load)	60 dB(A) <sup>1)</sup>   62 dB(A) <sup>1)</sup>
Moment of inertia	0.0059 kg m <sup>2</sup>
Bearing DE   NDE	6206 2Z C3   6206 2Z C3
Bearing lifetime	40000 h
Lubricants	Esso Unirex N3
Regreasing device	No
Grease nipple	- / -
Type of bearing	Preloaded bearing DE
Condensate drainage holes	No
External earthing terminal	
Vibration severity grade	A
Insulation	155(F) to 130(B)
Duty type	S1
Direction of rotation	bidirectional
Frame material	aluminum
Data of anti condensation heating	-/-
Coating (paint finish)	Standard paint finish C2
Color, paint shade	RAL7030
Motor protection	(A) without (Standard)
Method of cooling	IC411 - self ventilated, surface cooled

### Environmental conditions

Ambient temperature	-20 °C - +40 °C
Altitude above sea level	1000 m

### Notes

I<sub>A</sub><sup>1)</sup> = locked rotor current / current nominal    M<sub>K</sub>/M<sub>N</sub> = break down torque / nominal torque  
M<sub>A</sub>/M<sub>N</sub> = locked rotor torque / torque nominal    1) Value is valid only for DOL operation with motor design IC411

### Terminal box

Terminal box position	top
Material of terminal box	Aluminium
Type of terminal box	TB1 F00
Contact screw thread	M4
Max. cross-sectional area	4.0 mm <sup>2</sup>
Cable diameter from ... to ...	11.0 mm - 21.0 mm
Cable entry	2xM32x1,5
Cable gland	2 plugs

### Special design (0)

**Tel: 48 0000 49 (60 Lines)**

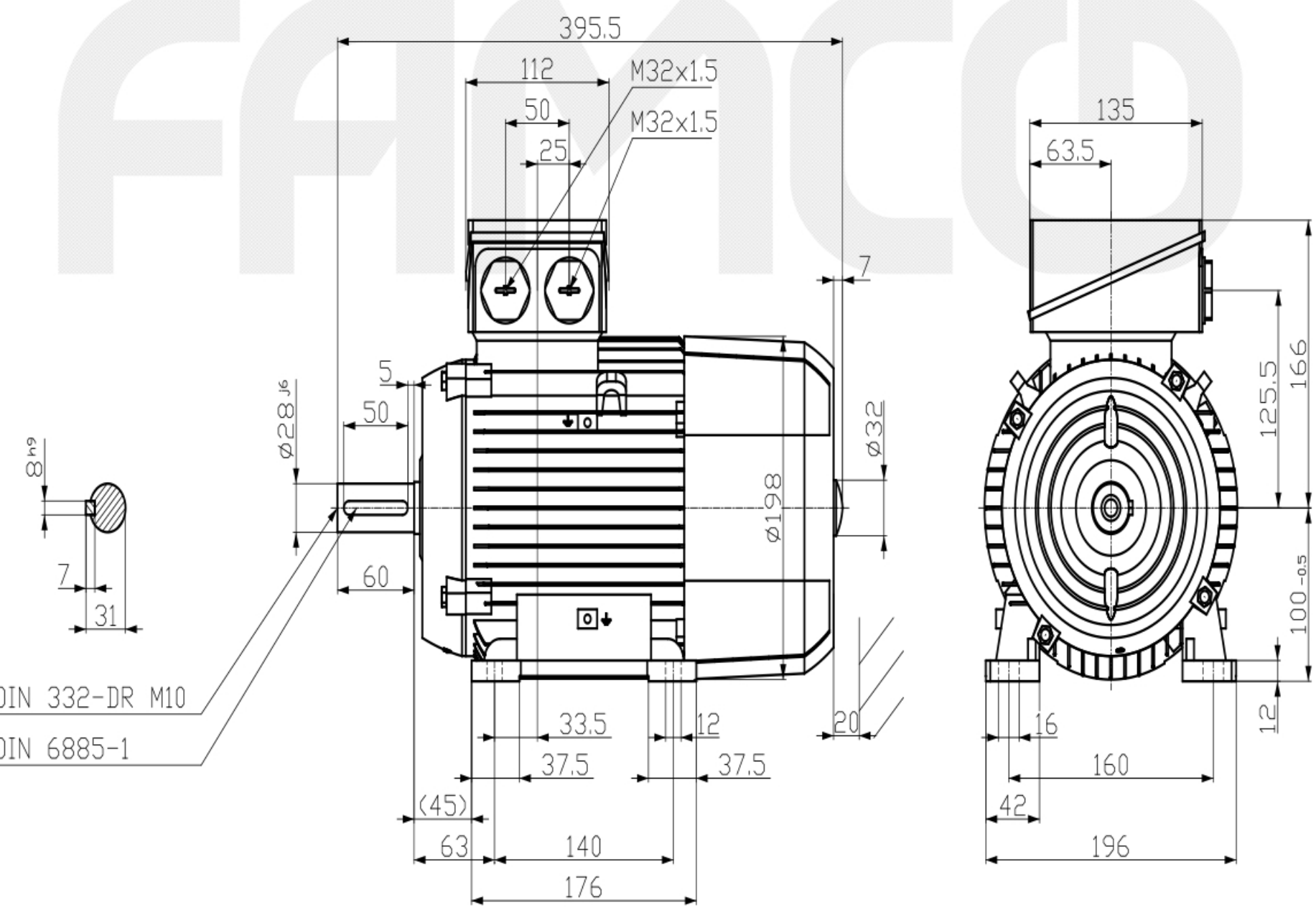
Confidencial, reproducción, disseminación o uso no autorizado de este documento así como la utilización de su contenido y comunicación a terceros sin el consentimiento expreso de Siemens son prohibidas. Offenders will be held liable for the consequences of their actions. Siemens reserves all rights of patent, trademark, copyright and other intellectual property rights. All rights reserved.

Transmittal, reproduction, dissemination and/or editing of this document as well as utilization of its contents and communication thereof to others without express authorization are prohibited. Offenders will be held liable for the consequences of their actions. Siemens reserves all rights of patent, trademark, copyright and other intellectual property rights. All rights reserved.

Weitergabe sowie Vervielfältigung, Verbreitung und/oder Bearbeitung dieses Dokuments, Verwendung und Mitteilung seines Inhaltes sind verboten, soweit nicht ausdrücklich gestattet. Zuwiderhandlungen verpflichten zu Schadenersatz. Alle Rechte vorbehalten.

Confidencial, reproducción, disseminación o uso no autorizado de este documento así como la utilización de su contenido y comunicación a terceros sin el consentimiento expreso de Siemens son prohibidas. Offenders will be held liable for the consequences of their actions. Siemens reserves all rights of patent, trademark, copyright and other intellectual property rights. All rights reserved.

Confidencial, reproducción, disseminación o uso no autorizado de este documento así como la utilización de su contenido y comunicación a terceros sin el consentimiento expreso de Siemens son prohibidas. Offenders will be held liable for the consequences of their actions. Siemens reserves all rights of patent, trademark, copyright and other intellectual property rights. All rights reserved.



Tolerance	Surface	Material	Weight	Scale
			-	mm
1LE1002-1AB42-2AA4	Author	Dimensional drawing		
	Creator	Maßzeichnung		
	Approval			
	Department			
	Change Order	MFB	Doc. Type	
	Doc. State	1/19/19	Item No.	Page Size A3
	Revision	Index RS	Doc. No.	1st Language en
				2nd Language de
© Siemens AG 2018	Project No.	-	Ref. No.	Sheet 1 of 1

**Tel: 48 0000 49** (60 Lines)