



## HYDRAULIC OIL COOLER

### B SERIES

[www.gtradiator.com.tr](http://www.gtradiator.com.tr)

[www.famcocorp.com](http://www.famcocorp.com)

E-mail: [info@famcocorp.com](mailto:info@famcocorp.com)

@famco\_group

Tel: ۰۲۱-۴۸۰۰۰۰۰۴۹

Fax: ۰۲۱-۴۴۹۹۴۶۴۲

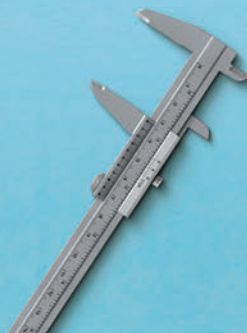
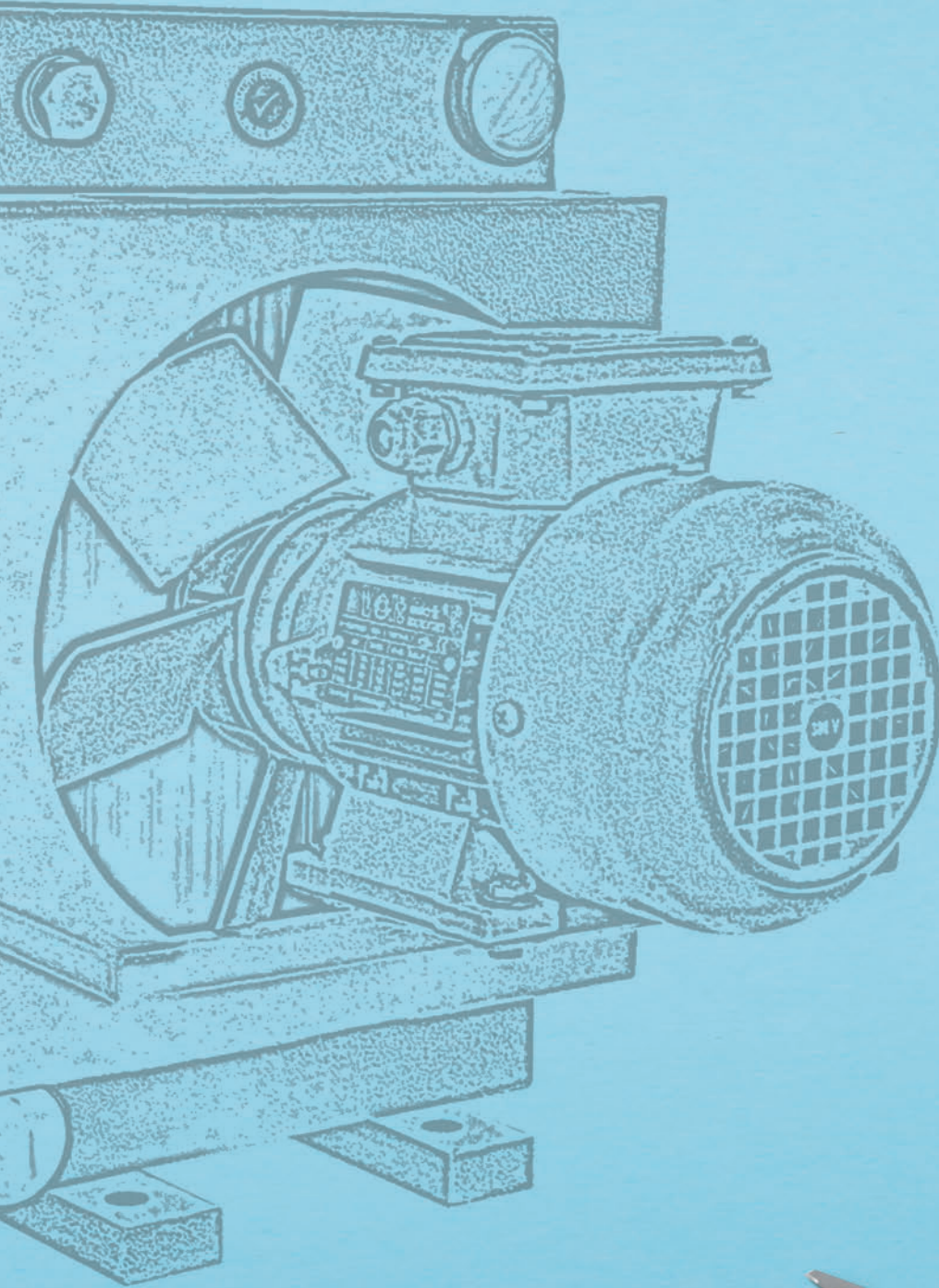
تهران، کیلومتر ۲۱ بزرگراه لشگری (جاده مخصوص کرج)

روبروی پالایشگاه نفت پارس، پلاک ۱۲

**BÜYÜK GÜLTEKİNLER**  
OTO RADYATÖR SAN. ve TİC. LTD. ŞTİ.



## B SERIES



### 1. 230/400 VOLT ENGINE OIL COOLERS

#### GENERAL INFORMATION

B Series is our product line used in all industrial systems.

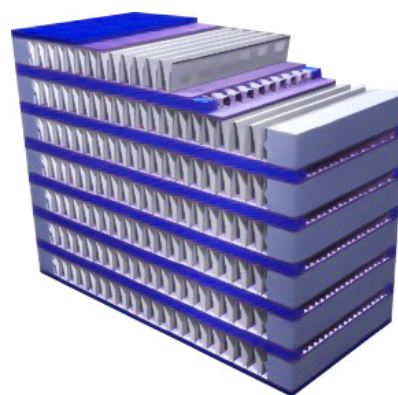
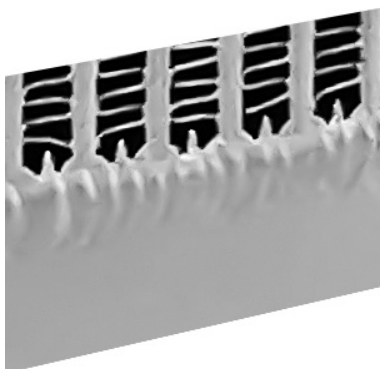
The hydraulic cooling products we offer are manufactured in accordance with high quality standards. From material supply to production and post-production quality control processes, every stage is under strict control and surveillance.

Ürünlerimiz;

- *Mobile systems,*
- *Fixed unit applications,*

Our products are complete cooling systems for AC-DC applications.

Complete coolers for AC 230-400 volt applications for



#### PROPERTIES

- Test Pressure: 30 bar.
- Operating Pressure: 25 bar.
- Used for cooling Synthetic, Mineral Oils, and some liquids.
- Heat in the fluid is cooled through the help of a fan.
- Bar-Plate type cooling pad is used.
- Flexible 6063 aluminum material is used.
- Designed for all kinds of working conditions.
- Ready to use and easy to maintain.
- Has high efficiency and low cost.



Product Models	Max. Flowrate (Lt/min.)	Capacity (Kcal / h)
B1	20	1000
B2	50	2500
B3	75	5000
B4	75	5000
B5	100	6000
B6	120	12000
B7	150	22500
B8	200	50000
B9	250	55000
B10	300	60000
B11	400	70000

### 3. TECHNICAL DATA

Model Data	Fan Diameter	Fan Speed	dB(A) 1m	Voltage (V)	kW	Operating Pressure (Bar)
B1	-	-	-	-	-	-
B2	250	1500	-	230 - 400	0.18	25
B3	380	1000	68	230 - 400	0.25	25
B4	380	1000	68	230 - 400	0.25	25
B5	450	1500	77	230 - 400	0.37	25
B6	500	1000	68	230 - 400	0.37	25
B7	500	1000	68	230 - 400	0.37	25
B8	630	1500	90	230 - 400	2.2	25
B9	900	750	82	230 - 400	1.5	15
B10	900	1000	88	230 - 400	3.0	15
B11	1000	1000	90	400	7.5	15

### 4. DIMENSIONS

Dimensions	B1	B2	B3	B4	B5	B6	B7	B8	B9	B10	B11
A	200	300	400	400	550	650	790	800	1025	1025	1170
B	195	305	395	395	410	560	560	650	010	910	1200
C	63	63	63	94	94 (63)	94	94	140	94	113	140
D	254	360	452	452	467	612	613	723	992	992	1270
E	315	415	515	535	690	790	940	960	1350	1350	1520
F	45	45	45	63	63	63	70	70	75	75	70
G	65	115	160	160	165	235	235	280	390	390	532
H	80	150	200	200	200	310	310	400	440	440	525
I	140	190	190	240	240	240	240	240	215	215	200
K	200	250	250	300	300	300	300	300	580	580	750
L	-	-	-	-	-	-	-	-	-	-	-
M	-	-	-	-	-	-	-	-	-	-	-
N(max)	175	370	400	430	440	450	450	590 app	650 app	790 app	900 app
O	1" BSP	1" BSP	1" BSP	1 1/4" BSP	1 1/4" BSP (1" BSP)	1 1/4" BSP	1 1/4" BSP	1 1/2" BSP	-	-	-

GÜLTEKİNLER OTO RADYATÖR SAN. ve TİC. LTD. ŞTİ. reserves the right to change any data in this product catalog without prior notice.

For more technical details, you can contact our customer representative.

www.famcocorp.com

E-mail: info@famcocorp.com

@famco\_group

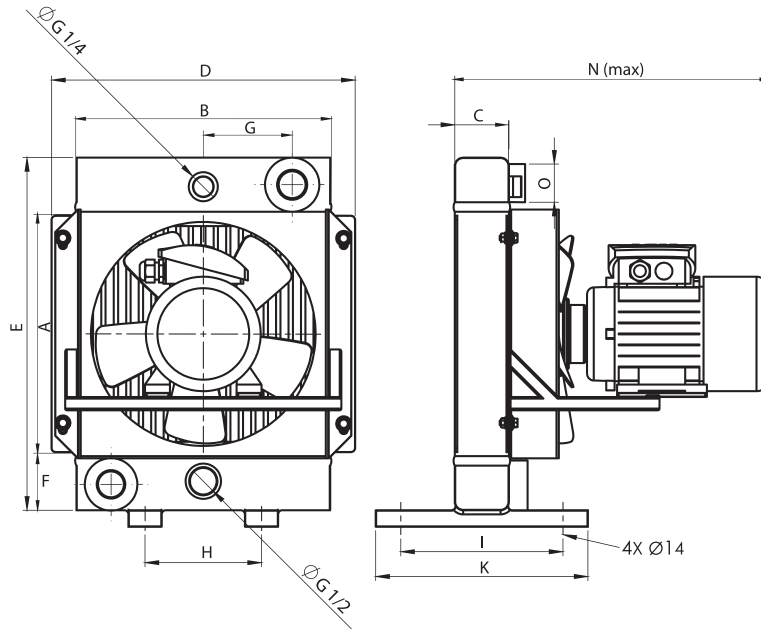
Tel: 021- 48 0000 49

Fax: 021 - 44994642

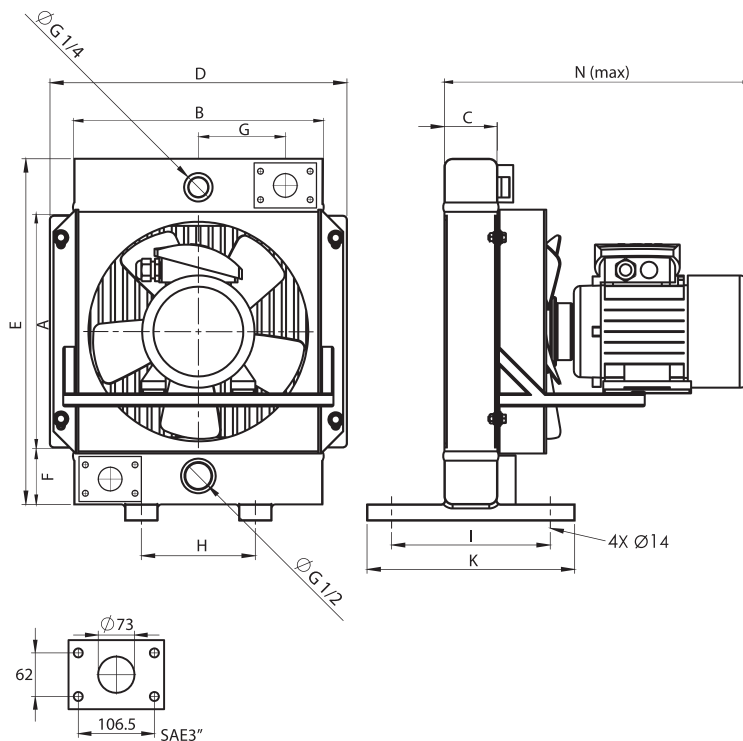
تهران، کیلومتر ۲۱ بزرگراه لشگری (جاده مخصوص کرج)

روبروی پالایشگاه نفت پارس، پلاک ۱۲

**DIMENSIONS OF THE COOLERS BETWEEN B1 - B7 5.**



**DIMENSIONS OF THE COOLERS BETWEEN B8 - B11 6.**





#### CORPORATE PROFILE

Our company which was established in 1954 with the title of **BÜYÜK GÜLTEKİNLER OTO RADIATÖR SAN. ve TİC. LTD. ŞTİ.** and registered its trademark **GT RADIATÖR** in 2000.

After gaining experience in heating and cooling systems, we developed oil coolers through an **innovative** approach so that hot and cold fluids come into contact with a wider surface, then presented them to our country and world market.

Considering the relationship between **environment and people**, we improve our product quality and thus customer satisfaction by giving importance to **R&D**. We make a difference in our sector by certifying the corporate approach of our company and our high-quality products according to international standards.

MAIN OFFICE  
Karatay Sanayi Gültepe Sokak No: 54  
42285 Selçuklu / KONYA / TÜRKİYE  
Tel: +90 332 233 08 92 (pbx)

FACTORY  
F. Çakmak Mah. Aslım Cad. Teksan San. Sit. No: 71  
42050 Karatay / KONYA / TÜRKİYE  
Tel : +90 332 233 08 95 (pbx)  
Mail : info@gtradyator.com.tr  
Web : www.gtradyator.com.tr

**BÜYÜK GÜLTEKİNLER**  
OTO RADIATÖR SAN. ve TİC. LTD. ŞTİ.

**GT** HİDROLİK  
GT HİDROLİK VE SOĞUTMA SİSTEMLERİ SAN. VE TİC. LTD. ŞTİ.



[www.gtradyator.com.tr](http://www.gtradyator.com.tr)

EAC ISO 9001 CE

[www.famcocorp.com](http://www.famcocorp.com)

E-mail: [info@famcocorp.com](mailto:info@famcocorp.com)

[@famco\\_group](https://www.facebook.com/famco_group)

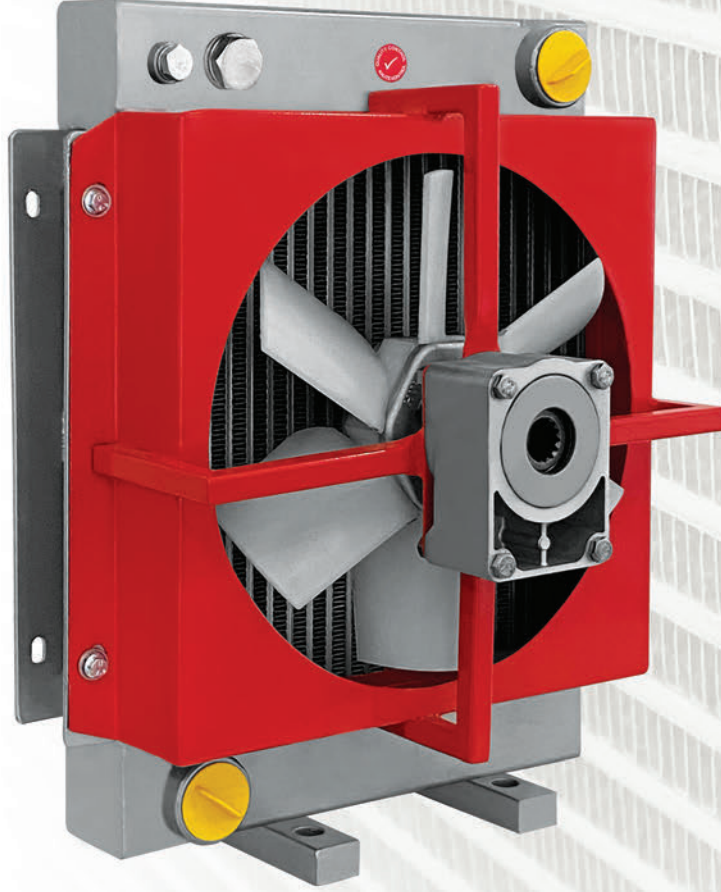
Tel: 021- 4 8 0 0 0 0 4 9

Fax : 021 - 4 4 9 9 4 6 4 2

تهران ، کیلومتر ۲۱ بزرگراه لشگری (جاده مخصوص کرج)

روبروی پالایشگاه نفت پارس ، پلاک ۱۲





## HYDRAULIC OIL COOLER

### H SERIES

[www.gtradyator.com.tr](http://www.gtradyator.com.tr)

[www.famcocorp.com](http://www.famcocorp.com)

E-mail: [info@famcocorp.com](mailto:info@famcocorp.com)

@famco\_group

Tel: 021- 4 8 0 0 0 0 4 9

Fax: 021 - 4 4 9 9 4 6 4 2

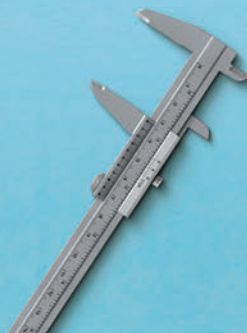
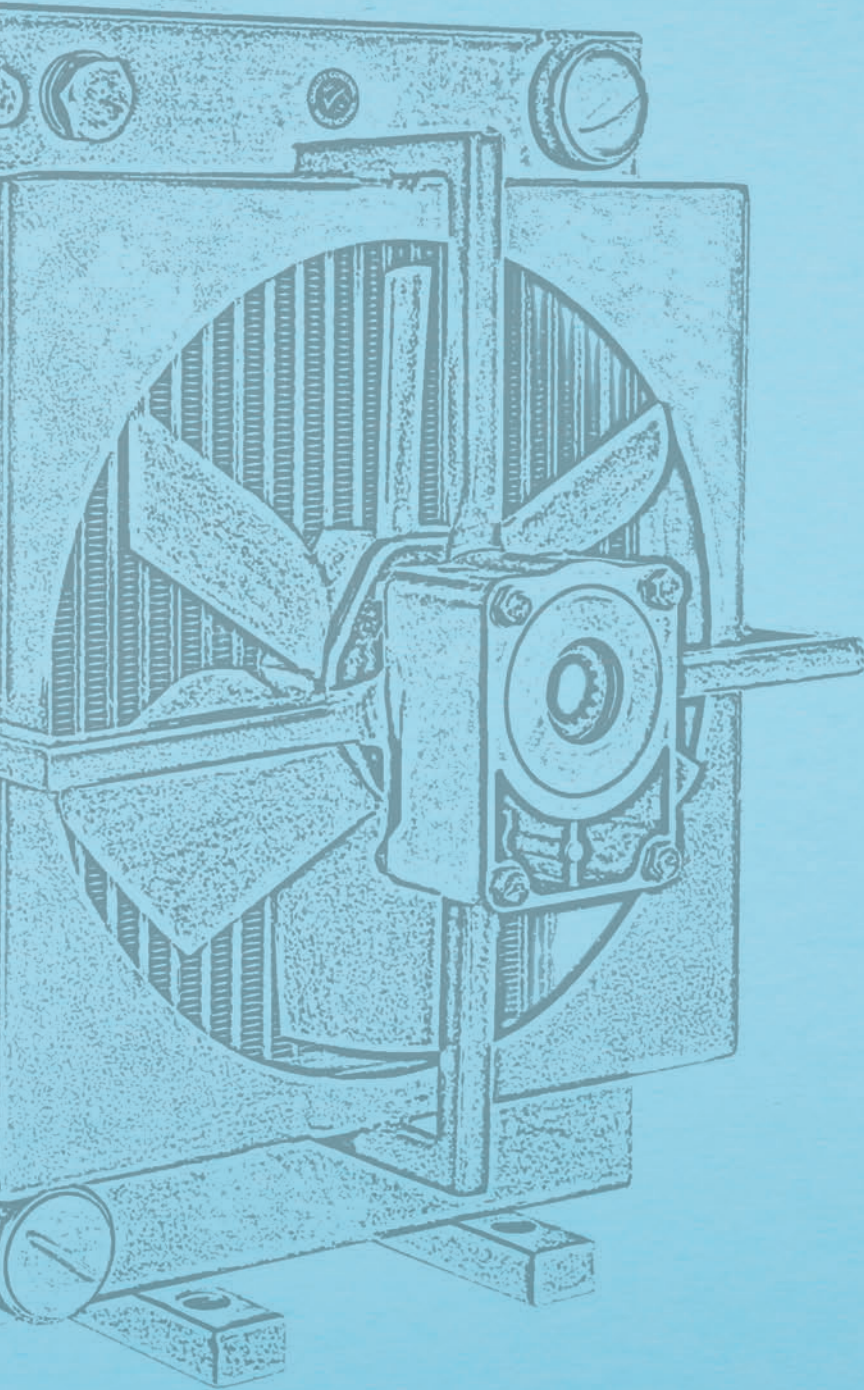
تهران، کیلومتر ۲۱ بزرگراه لشگری (جاده مخصوص کرج)

روبروی پالایشگاه نفت پارس، پلاک ۱۲

**BÜYÜK GÜLTEKİNLER**  
OTO RADYATÖR SAN. ve TİC. LTD. ŞTİ.



# H SERIES



## 1. HYDROMOTOR DRIVEN OIL COOLERS

### GENERAL INFORMATION

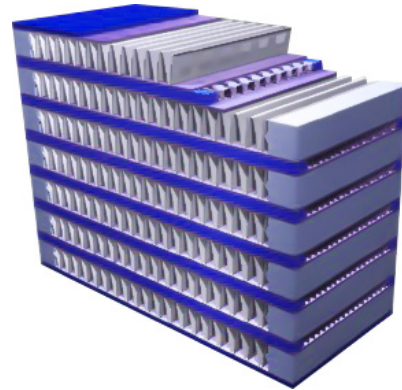
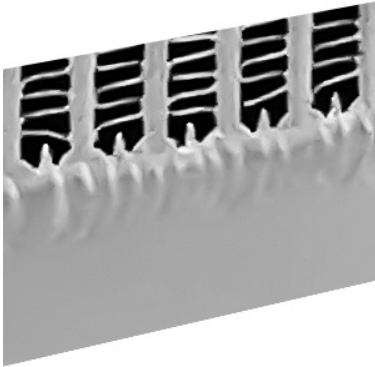
H Series is our product line used in all industrial systems.

The hydraulic cooling products we offer are manufactured in accordance with high quality standards. From material supply to production and post-production quality control processes, every stage is under strict control and surveillance.

Ürünlerimiz;

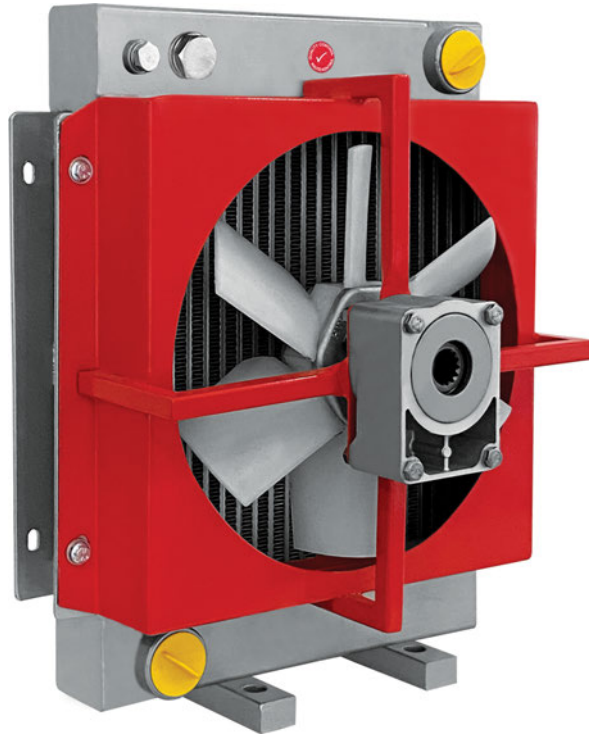
- Mobile systems,
- Fixed unit applications,

Our products are complete cooling systems for AC-DC applications.



### PROPERTIES

- Test Pressure: 30 bar.
- Operating Pressure: 25 bar.
- Used for cooling Synthetic, Mineral Oils, and some liquids.
- Heat in the fluid is cooled through the help of a fan.
- Bar-Plate type cooling pad is used.
- Flexible 6063 aluminum material is used.
- Designed for all kinds of working conditions.
- Ready to use and easy to maintain.
- Has high efficiency and low cost.



Product Models	Max. Flowrate (Lt/min.)	Capacity (Kcal / h)
H1	20	1000
H2	50	2500
H3	75	5000
H4	75	5000
H5	100	6000
H6	120	12000
H7	150	22500
H8	200	50000
H9	250	55000
H10	300	60000
H11	400	70000

### 3. TECHNICAL DATA

Model Data	Fan Diameter	Fan Speed	dB(A) 1m	Voltage (V)	kW	Operating Pressure (Bar)
H1	-	-	-	-	-	-
H2	250	1500	57	Hydraulic	-	25
H3	380	1500	75	Hydraulic	-	25
H4	380	1500	77	Hydraulic	-	25
H5	450	1500	77	Hydraulic	-	25
H6	500	1500	79	Hydraulic	-	25
H7	500	1500	79	Hydraulic	-	25
H8	630	1000	79	Hydraulic	-	25
H9	900	1000	88	Hydraulic	-	15
H10	900	1500	98	Hydraulic	-	15
H11	1000	1500	100	Hydraulic	-	15

### 4. DIMENSIONS

Dimensions	H1	H2	H3	H4	H5	H6	H7	H8	H9	H10	H11
A	200	300	400	400	550	650	790	800	1025	1025	1170
B	195	305	395	395	410	560	560	650	010	910	1200
C	63	63	63	94	94 (63)	94	94	140	94	113	140
D	254	360	452	452	467	612	613	723	992	992	1270
E	315	415	515	535	690	790	940	960	1350	1350	1520
F	45	45	45	63	63	63	70	70	75	75	70
G	65	115	160	160	165	235	235	280	390	390	532
H	80	150	200	200	200	310	310	400	440	440	525
I	140	190	190	240	240	240	240	240	215	215	200
K	200	250	250	300	300	300	300	300	580	580	750
L	-	-	-	-	-	-	-	-	-	-	-
M	-	-	-	-	-	-	-	-	-	-	-
N(max)	175	370	400	430	440	450	450	590 app	650 app	790 app	900 app
O	1" BSP	1" BSP	1" BSP	1 1/4" BSP	1 1/4" BSP (1" BSP)	1 1/4" BSP	1 1/4" BSP	1 1/2" BSP	-	-	-

GÜLTEKİNLER OTO RADYATÖR SAN. ve TİC. LTD. ŞTİ. reserves the right to change any data in this product catalog without prior notice.

For more technical details, you can contact our customer representative.

www.famcocorp.com

E-mail: info@famcocorp.com

@famco\_group

Tel: 021- 48 0000 49

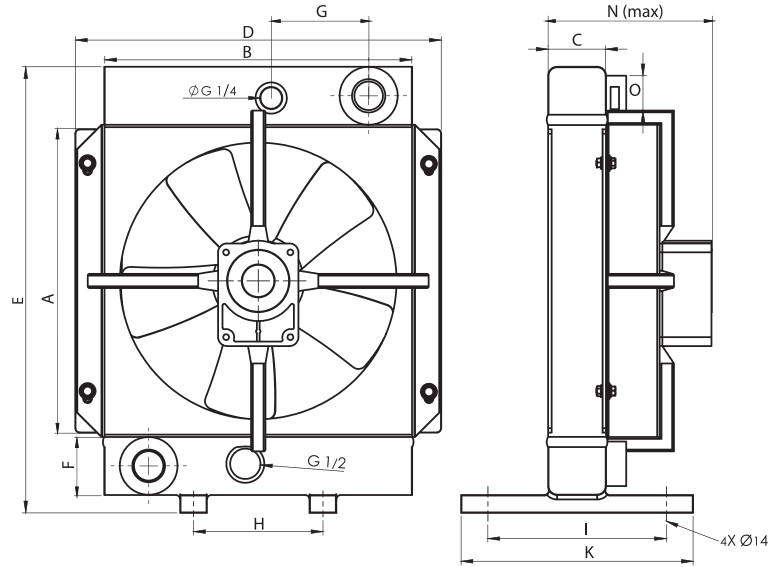
Fax: 021 - 44994642

تهران، کیلومتر ۲۱ بزرگراه لشگری (جاده مخصوص کرج)

روبروی پالایشگاه نفت پارس، پلاک ۱۲

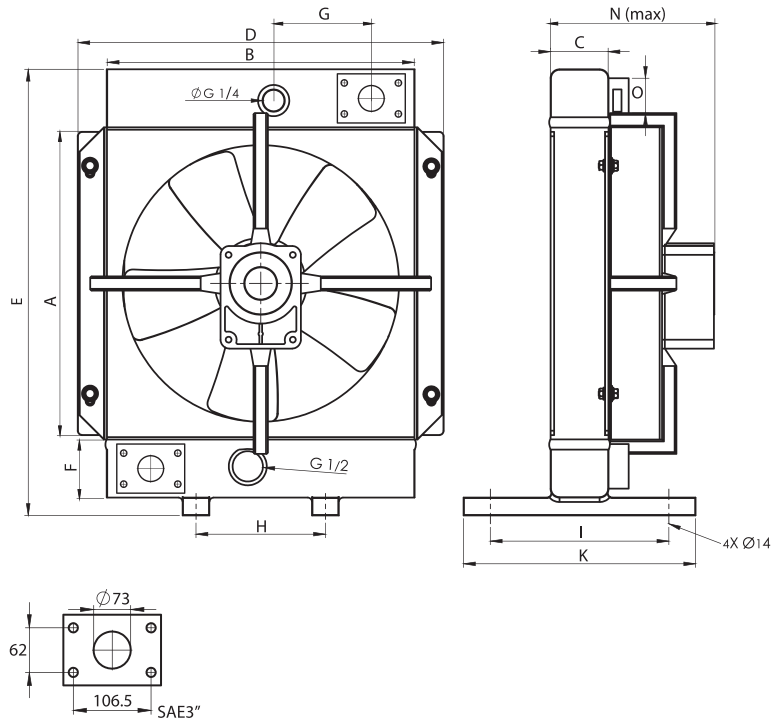
**DIMENSIONS OF THE COOLERS BETWEEN H1 - H7**

**5.**



**DIMENSIONS OF THE COOLERS BETWEEN H8 - H11**

**6.**





#### CORPORATE PROFILE

Our company which was established in 1954 with the title of **BÜYÜK GÜLTEKİNLER OTO RADIATÖR SAN. ve TİC. LTD. ŞTİ.** and registered its trademark **GT RADIATÖR** in 2000.

After gaining experience in heating and cooling systems, we developed oil coolers through an **innovative** approach so that hot and cold fluids come into contact with a wider surface, then presented them to our country and world market.

Considering the relationship between **environment and people**, we improve our product quality and thus customer satisfaction by giving importance to **R&D**. We make a difference in our sector by certifying the corporate approach of our company and our high-quality products according to international standards.

MAIN OFFICE  
Karatay Sanayi Gültepe Sokak No: 54  
42285 Selçuklu / KONYA / TÜRKİYE  
Tel: +90 332 233 08 92 (pbx)

FACTORY  
F. Çakmak Mah. Aslım Cad. Teksan San. Sit. No: 71  
42050 Karatay / KONYA / TÜRKİYE  
Tel : +90 332 233 08 95 (pbx)  
Mail : info@gtradyator.com.tr  
Web : www.gtradyator.com.tr

**BÜYÜK GÜLTEKİNLER**  
OTO RADIATÖR SAN. ve TİC. LTD. ŞTİ.

**GT** HİDROLİK  
GT HİDROLİK VE SOĞUTMA SİSTEMLERİ SAN. VE TİC. LTD. ŞTİ.



[www.gtradyator.com.tr](http://www.gtradyator.com.tr)

EAC ISO 9001 CE

[www.famcocorp.com](http://www.famcocorp.com)

E-mail: [info@famcocorp.com](mailto:info@famcocorp.com)

@famco\_group

Tel: 021- 4 8 0 0 0 0 4 9

Fax : 021 - 4 4 9 9 4 6 4 2

تهران ، کیلومتر ۲۱ بزرگراه لشگری (جاده مخصوص کرج)

روبروی پالایشگاه نفت پارس ، پلاک ۱۲





## HYDRAULIC OIL COOLER

### M SERIES

[www.gtradyator.com.tr](http://www.gtradyator.com.tr)

[www.famcocorp.com](http://www.famcocorp.com)

E-mail: [info@famcocorp.com](mailto:info@famcocorp.com)

@famco\_group

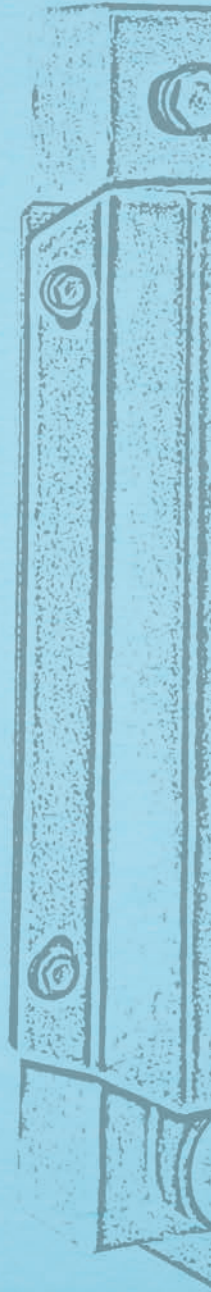
Tel: 021- 4 8 0 0 0 0 4 9

Fax: 021 - 4 4 9 9 4 6 4 2

تهران، کیلومتر ۲۱ بزرگراه لشگری (جاده مخصوص کرج)

روبروی پالایشگاه نفت پارس، پلاک ۱۲

**BÜYÜK GÜLTEKİNLER**  
OTO RADYATÖR SAN. ve TİC. LTD. ŞTİ.



## M SERIES



## 1. AC-DC MOTOR OIL COOLERS

### GENERAL INFORMATION

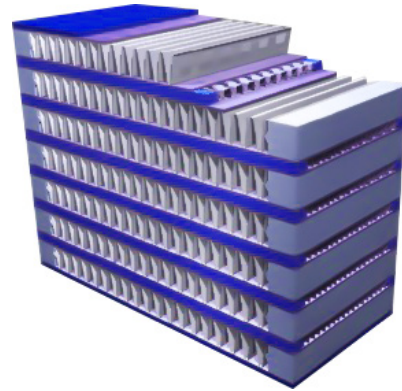
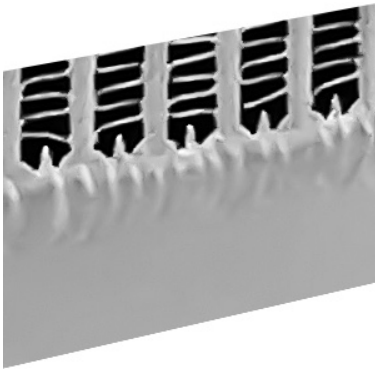
M Series is our product line used in all industrial systems.

The hydraulic cooling products we offer are manufactured in accordance with high quality standards. From material supply to production and post-production quality control processes, every stage is under strict control and surveillance.

Ürünlerimiz;

- Mobile systems,
- Fixed unit applications,

Our products are complete cooling systems for AC-DC applications.



### PROPERTIES

- Test Pressure: 30 bar.
- Operating Pressure: 25 bar.
- Used for cooling Synthetic, Mineral Oils, and some liquids.
- Heat in the fluid is cooled through the help of a fan.
- Bar-Plate type cooling pad is used.
- Flexible 6063 aluminum material is used.
- Designed for all kinds of working conditions.
- Ready to use and easy to maintain.
- Has high efficiency and low cost.



Product Models	Max. Flowrate (Lt/min.)	Capacity (Kcal / h)
M1	20	1000
M2	50	2500
M3	75	5000
M4	75	5000
M5	100	6000
M6	120	12000
M7	150	22500
M8	200	50000
M9	250	55000
M10	300	60000
M11	400	70000

### 3. TECHNICAL DATA

Model Data	Fan Diameter	Fan Speed	dB(A) 1m	Voltage (V)	kW	Operating Pressure (Bar)
M1	165 - 165 - 175	1500 - 1500 - 2800	79 - 79 - 85	12 - 24 - 230 - 400	0.08 - 0.08 - 0.05	25
M2	250 - 250 - 250	1500 - 1500 - 2800	75 - 74 - 80	12 - 24 - 230 - 400	0.15 - 0.15 - 0.25	25
M3	350 - 350 - 350	1500 - 1500 - 2800	76 - 75 - 79	12 - 24 - 230 - 400	0.20 - 0.25 - 0.35	25
M4	350 - 350 - 350	1500 - 1500 - 2800	76 - 75 - 79	12 - 24 - 230 - 400	0.20 - 0.25 - 0.35	25
M5	8"x2 - 8"x2 - 200x2	1500 - 1500 - 2800	78 - 79 - 76	12 - 24 - 230 - 400	0.10 - 0.10 - 0.09	25
M6	10"x2 - 10"x2 - 250x2	1500 - 1500 - 2800	75 - 74 - 80	12 - 24 - 230 - 400	0.15 - 0.15 - 0.25	25
M7	14"x2 - 14"x2 - 500	1500 - 1500 - 1300	80 - 80 - 72	12 - 24 - 230 - 400	0.25 - 0.35 - 0.37	25
M8	630	1500	90	230 - 400	2.2	25
M9	900	1000	89	230 - 400	2.2	15
M10	900	1000	88	230 - 400	3.0	15
M11	1000	1000	90	400	7.5	15

### 4. DIMENSIONS

Dimensions	M1	M2	M3	M4	M5	M6	M7	M8	M9	M10	M11
A	200	300	400	400	550	650	790	800	1025	1025	1170
B	195	305	395	395	410	560	560	650	010	910	1200
C	63	63	63	94	94 (63)	94	94	140	94	113	140
D	254	360	452	452	467	612	613	723	992	992	1270
E	315	415	515	535	690	790	940	960	1350	1350	1520
F	45	45	45	63	63	63	70	70	75	75	70
G	65	115	160	160	165	235	235	280	390	390	532
H	80	150	200	200	200	310	310	400	440	440	525
I	140	190	190	240	240	240	240	240	215	215	200
K	200	250	250	300	300	300	300	300	580	580	750
L	-	-	-	-	-	-	-	-	-	-	-
M	-	-	-	-	-	-	-	-	-	-	-
N(max)	175	370	400	430	440	450	450	590 app	650 app	790 app	900 app
O	1" BSP	1" BSP	1" BSP	1 1/4" BSP	1 1/4" BSP (1" BSP)	1 1/4" BSP	1 1/4" BSP	1 1/2" BSP	-	-	-

GÜLTEKİNLER OTO RADYATÖR SAN. ve TİC. LTD. ŞTİ. reserves the right to change any data in this product catalog without prior notice.

For more technical details, you can contact our customer representative.

[www.famcocorp.com](http://www.famcocorp.com)

E-mail: [info@famcocorp.com](mailto:info@famcocorp.com)

@famco\_group

Tel: 021- 4 8 0 0 0 0 4 9

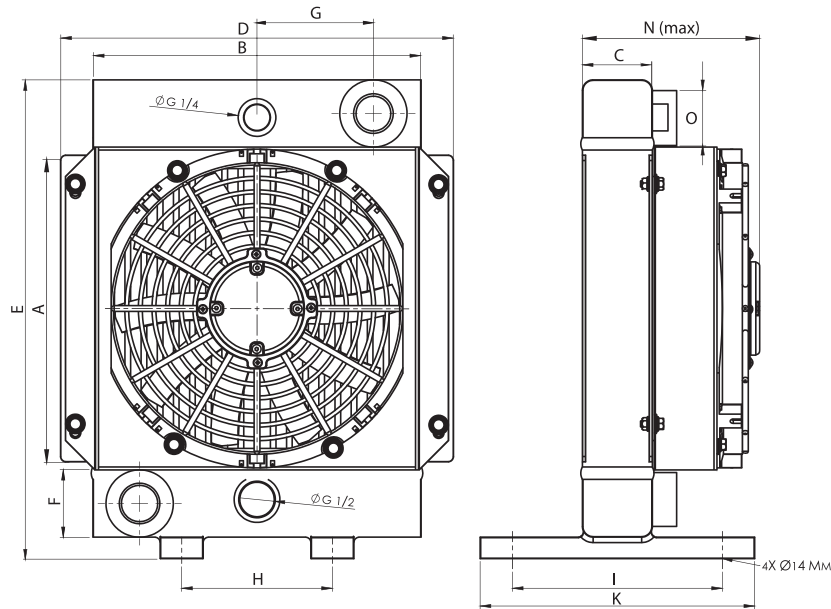
Fax: 021 - 4 4 9 9 4 6 4 2

تهران، کیلومتر ۲۱ بزرگراه لشگری (جاده مخصوص کرج)

روبروی پالایشگاه نفت پارس، پلاک ۱۲

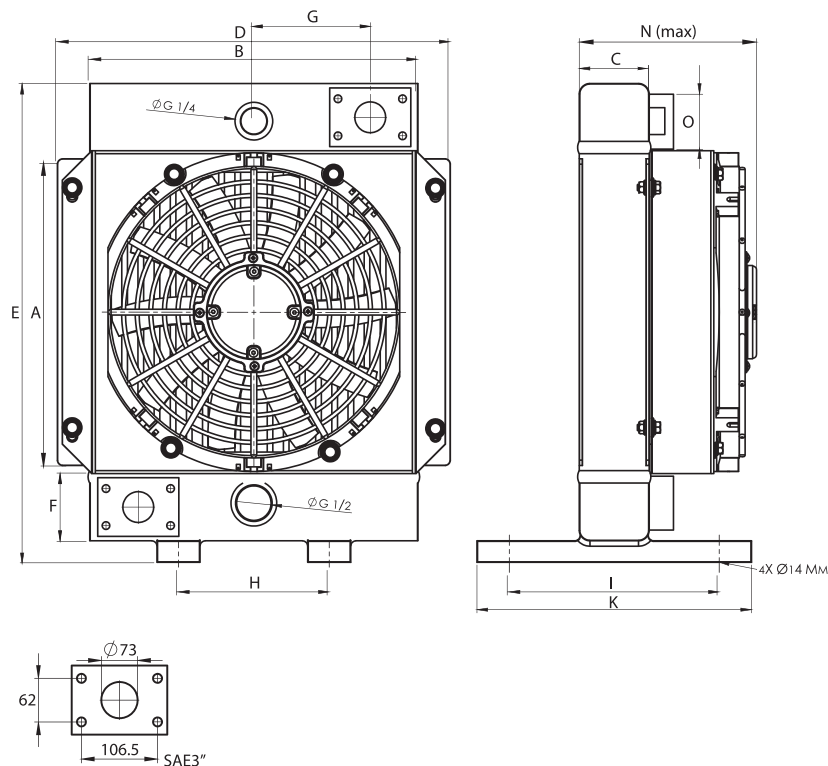
**DIMENSIONS OF THE COOLERS BETWEEN M1 - M7**

**5.**



**DIMENSIONS OF THE COOLERS BETWEEN M8 - M11**

**6.**





#### CORPORATE PROFILE

Our company which was established in 1954 with the title of **BÜYÜK GÜLTEKİNLER OTO RADYATOR SAN. ve TİC. LTD. ŞTİ.** and registered its trademark **GT RADYATÖR** in 2000.

After gaining experience in heating and cooling systems, we developed oil coolers through an **innovative** approach so that hot and cold fluids come into contact with a wider surface, then presented them to our country and world market.

Considering the relationship between **environment and people**, we improve our product quality and thus customer satisfaction by giving importance to **R&D**. We make a difference in our sector by certifying the corporate approach of our company and our high-quality products according to international standards.

MAIN OFFICE  
Karatay Sanayi Gültepe Sokak No: 54  
42285 Selçuklu / KONYA / TÜRKİYE  
Tel: +90 332 233 08 92 (pbx)

FACTORY  
F. Çakmak Mah. Aslım Cad. Teksan San. Sit. No: 71  
42050 Karatay / KONYA / TÜRKİYE  
Tel : +90 332 233 08 95 (pbx)  
Mail : info@gtradyator.com.tr  
Web : www.gtradyator.com.tr

**BÜYÜK GÜLTEKİNLER**  
OTO RADYATÖR SAN. ve TİC. LTD. ŞTİ.

**GT** HIDROLİK  
GT HIDROLİK VE SOĞUTMA SİSTEMLERİ SAN. VE TİC. LTD. ŞTİ.



[www.gtradyator.com.tr](http://www.gtradyator.com.tr)

EAC ISO 9001 CE

[www.famcocorp.com](http://www.famcocorp.com)

E-mail: [info@famcocorp.com](mailto:info@famcocorp.com)

[@famco\\_group](https://www.facebook.com/famco_group)

Tel: 021- 4 8 0 0 0 0 4 9

Fax : 021 - 4 4 9 9 4 6 4 2

تهران ، کیلومتر ۲۱ بزرگراه لشگری (جاده مخصوص کرج)

روبروی پالایشگاه نفت پارس ، پلاک ۱۲





## HYDRAULIC OIL COOLER

### G SERIES

[www.gtradyator.com.tr](http://www.gtradyator.com.tr)

[www.famcocorp.com](http://www.famcocorp.com)

E-mail: [info@famcocorp.com](mailto:info@famcocorp.com)

@famco\_group

Tel: 021- 4 8 0 0 0 0 4 9

Fax: 021 - 4 4 9 9 4 6 4 2

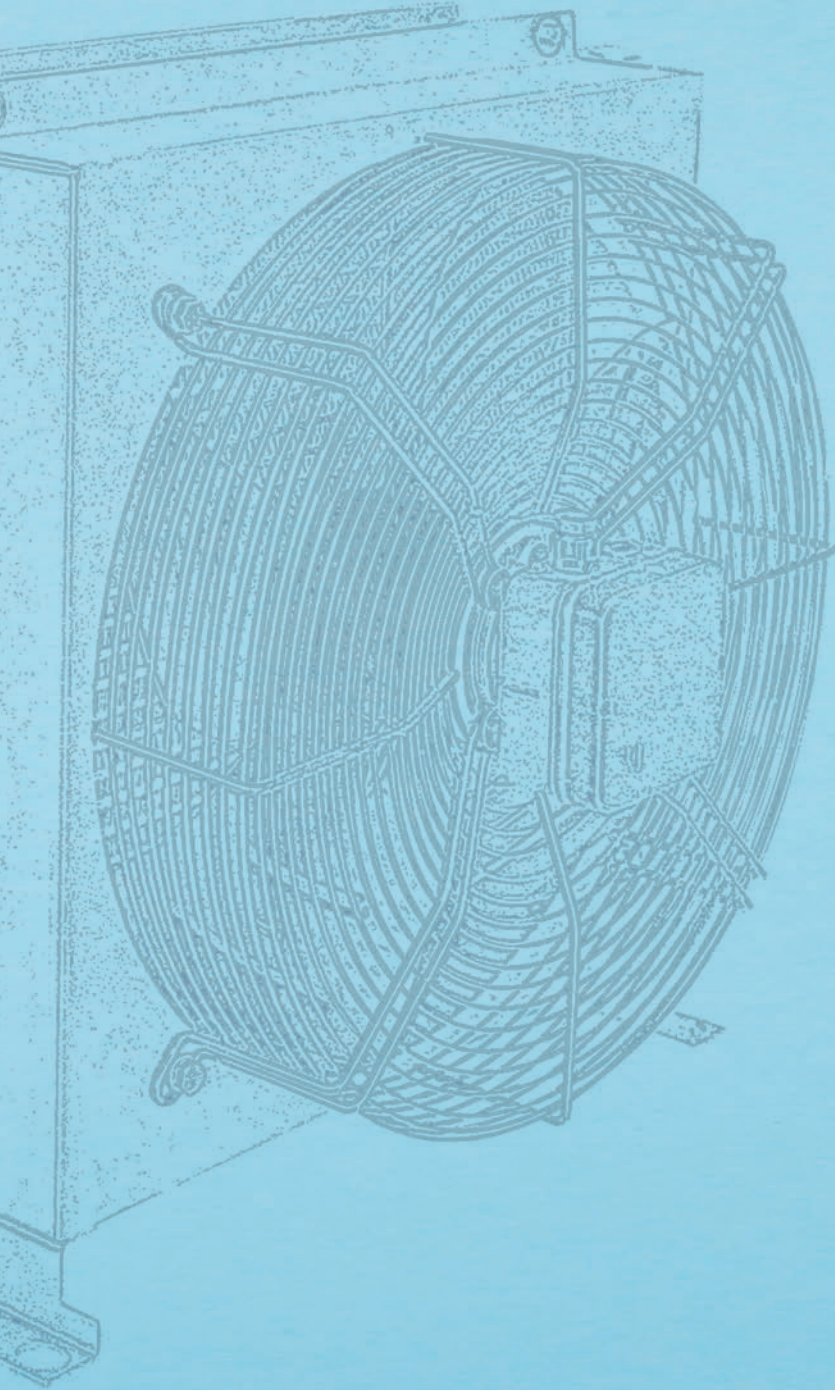
تهران، کیلومتر ۲۱ بزرگراه لشگری (جاده مخصوص کرج)

روبروی پالایشگاه نفت پارس، پلاک ۱۲

**BÜYÜK GÜLTEKİNLER**  
OTO RADYATÖR SAN. ve TİC. LTD. ŞTİ.



# G SERIES



## 1. AC-DC MOTOR OIL COOLERS

### GENERAL INFORMATION

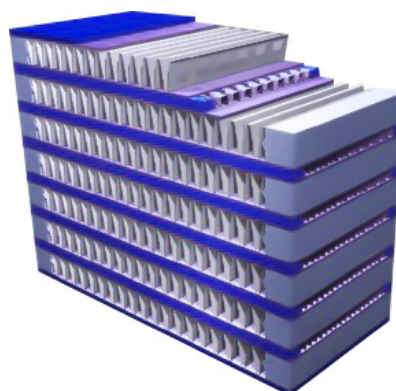
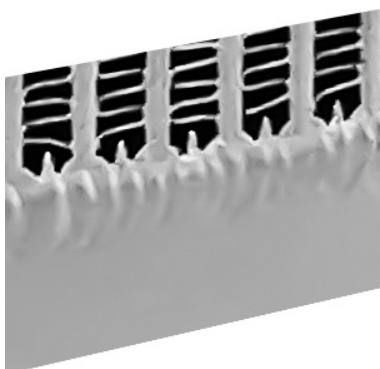
G Series is our product line used in all industrial systems.

The hydraulic cooling products we offer are manufactured in accordance with high quality standards. From material supply to production and post-production quality control processes, every stage is under strict control and surveillance.

Our Products;

- *Mobile systems,*
- *Fixed unit applications,*

Are complete cooling systems for AC-DC applications.



### PROPERTIES

- Test Pressure: 30 bar.
- Operating Pressure: 25 bar.
- Used for cooling Synthetic, Mineral Oils, and some liquids.
- Heat in the fluid is cooled through the help of a fan.
- Bar-Plate type cooling pad is used.
- Flexible 6063 aluminum material is used.
- Designed for all kinds of working conditions.
- Ready to use and easy to maintain.
- Has high efficiency and low cost.



Product Models	Max. Flowrate (Lt/min.)	Capacity (Kcal / h)
G0001	40	2000
G0005	80	5500
G0010	100	6000
G0020	120	12000
G0030	140	20000
G0040	160	25000
G0050	180	40000
G0060	220	60000

### 3. TECHNICAL DATA

Model Data	Fan Diameter	Fan Speed	dB(A) 1m	Voltage (V)	kW	Operating Pressure (Bar)
G0001	155 - 155 - 160	750 - 750 - 700	51 - 51 - 50	12 - 24 - 230 - 400	0.04 - 0.04 - 0.05	25
G0005	195 - 195 - 200	2700 - 2700 - 2800	72 - 72 - 68	12 - 24 - 230 - 400	0.09 - 0.10 - 0.06	25
G0010	195 - 195 - 200	2700 - 2700 - 2800	72 - 72 - 68	12 - 24 - 230 - 400	0.09 - 0.10 - 0.06	25
G0020	245 - 245 - 250	2700 - 2700 - 2800	74 - 74 - 72	12 - 24 - 230 - 400	0.11 - 0.11 - 0.10	25
G0030	290 - 290 - 300	2700 - 2700 - 2800	74 - 74 - 72	12 - 24 - 230 - 400	0.18 - 0.18 - 0.19	25
G0040	345 - 345 - 350	2700 - 2700 - 2800	78 - 78 - 74	12 - 24 - 230 - 400	0.21 - 0.21 - 0.32	25
G0050	10"x2 - 10"x2 - 630	2700 - 2700 - 1500	74 - 74 - 89	12 - 24 - 230 - 400	0.15 - 0.15 - 0.43	25
G0060	14"x2 - 14"x2 - 630	2700 - 2700 - 1500	74 - 74 - 98	12 - 24 - 230 - 400	0.15 - 0.15 - 0.43	25

### 4. DIMENSIONS

Dimensions	G0001	G0005	G0010	G0020	G0030	G0040	G0050	G0060
A	190	230	230	300	350	450	525	700
B	170	230	230	300	350	450	545	720
C	45	45	63	63	63	63	63	63
D	220	290	290	360	410	510	-	-
E	280	320	320	400	440	550	670	850
F	45	45	40	40	40	40	63	63
G	-	-	-	-	-	-	-	-
H	225	265	265	330	380	480	245	375
I	125	125	125	125	125	125	155	165
K	155	155	155	155	155	155	200	200
L	-	-	-	-	-	-	-	-
M	-	-	-	-	-	-	-	-
N(max)	12-24-172 230-400-217	12-24-172 230-400-217	12-24-187 230-400-232	12-24-187 230-400-237	187 242	187 257	182 237	197 297
O	1/2" BSP	1/2" BSP	1" BSP	1" BSP	1" BSP	1" BSP	1 1/2" BSP	1 1/2" BSP

GÜLTEKİNLER OTO RADIATÖR SAN. ve TİC. LTD. ŞTİ. reserves the right to change any data in this product catalog without prior notice.

For more technical details, you can contact our customer representative.

[www.famcocorp.com](http://www.famcocorp.com)

E-mail: [info@famcocorp.com](mailto:info@famcocorp.com)

@famco\_group

Tel: 021- 4 8 0 0 0 0 4 9

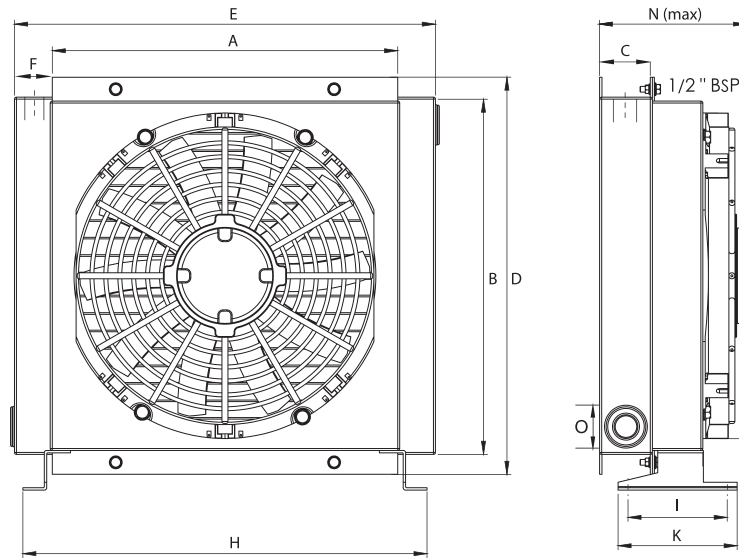
Fax: 021 - 4 4 9 9 4 6 4 2

تهران، کیلومتر ۲۱ بزرگراه لشگری (جاده مخصوص کرج)

روبروی پالایشگاه نفت پارس، پلاک ۱۲

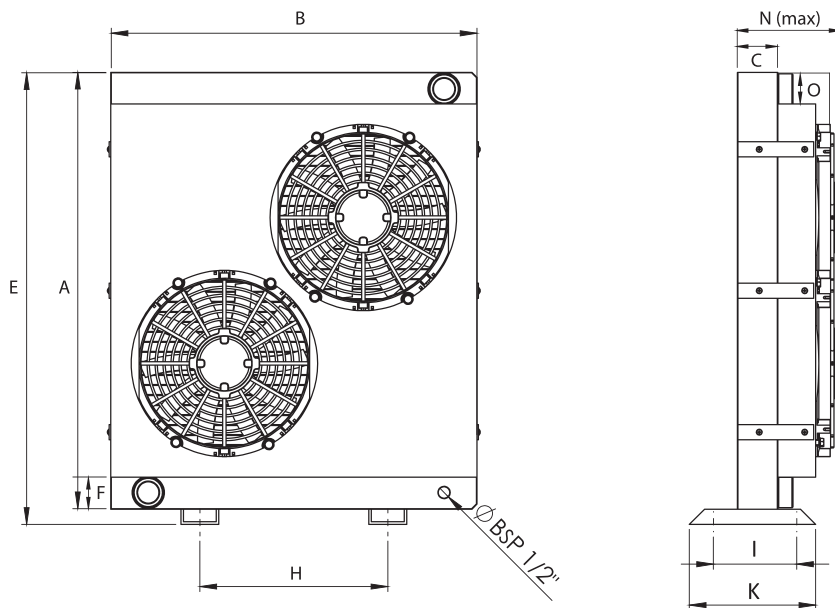
**DIMENSIONS OF THE COOLERS BETWEEN G0001 - G0040**

**5.**



**DIMENSIONS OF THE COOLERS BETWEEN G0050 - G0060**

**6.**





#### CORPORATE PROFILE

Our company which was established in 1954 with the title of **BÜYÜK GÜLTEKİNLER OTO RADYATOR SAN. ve TİC. LTD. ŞTİ.** and registered its trademark **GT RADYATÖR** in 2000.

After gaining experience in heating and cooling systems, we developed oil coolers through an **innovative** approach so that hot and cold fluids come into contact with a wider surface, then presented them to our country and world market.

Considering the relationship between **environment and people**, we improve our product quality and thus customer satisfaction by giving importance to **R&D**. We make a difference in our sector by certifying the corporate approach of our company and our high-quality products according to international standards.

MAIN OFFICE  
Karatay Sanayi Gültepe Sokak No: 54  
42285 Selçuklu / KONYA / TÜRKİYE  
Tel: +90 332 233 08 92 (pbx)

FACTORY  
F. Çakmak Mah. Aslım Cad. Teksan San. Sit. No: 71  
42050 Karatay / KONYA / TÜRKİYE  
Tel : +90 332 233 08 95 (pbx)  
Mail : info@gtradyator.com.tr  
Web : www.gtradyator.com.tr

**BÜYÜK GÜLTEKİNLER**  
OTO RADYATÖR SAN. ve TİC. LTD. ŞTİ.

**GT HIDROLİK**  
GT HIDROLİK VE SOĞUTMA SİSTEMLERİ SAN. VE TİC. LTD. ŞTİ.



[www.gtradyator.com.tr](http://www.gtradyator.com.tr)

**EAC ISO 9001 CE**

[www.famcocorp.com](http://www.famcocorp.com)

E-mail: [info@famcocorp.com](mailto:info@famcocorp.com)

@famco\_group

Tel: 021- 4 8 0 0 0 0 4 9

Fax : 021 - 4 4 9 9 4 6 4 2

تهران ، کیلومتر ۲۱ بزرگراه لشگری (جاده مخصوص کرج)

روبروی پالایشگاه نفت پارس ، پلاک ۱۲