

PERISTALTIC DOSING PUMPS

01 ASPENDOSE A

Peristaltic Analog Dosing Pump

- OEM head options
- Adjustable Flow Rate
- Rapid Button
- PP- IP 65 Chemical Resistant Body
- On-Off Button
- Long-lasting roller system
- Chemical Discharge Tip
- pH-Chlorine(A), Rinse Aid(R) and Detergent(D) model options
- Easy mount and dismount via back lid slider



Stock codes and names for the box content

- | | |
|--------------------------------------------------------------------------------|-----------------------------------------------------------------------------------|
| ① Stock Code : 600110800140000
Stock Name: SUCTION KIT 4X6 PER | ⑤ Stock Code : 600110700211000
Stock Name: INJECTION KIT METAL 4X6 V ASPENDOSE |
| ② Stock Code : 600110700311000
Stock Name: INJECTION KIT4 x 6 V | ⑥ Stock Code : 500010066120000
Stock Name: Nozzle Kit For Pipe ASPENDOSE |
| ③ Stock Code : 600110800100000
Stock Name: SUCTION KIT 4X6 ASPENDOSE | ⑦ Stock Code : 600110500000000
Stock Name: PIPE KIT 4X6 ASPENDOSE |
| ④ Stock Code : 600110700113100
Stock Name: INJECTION KIT ASPENDOSE 4X6 PVDF | ⑧ Stock Code : 600110400800000
Stock Name: PIPE KIT ASPENDOSE |

Stock Code	Model	L/h	Max. Counter Pressure/Bar	Package Sizes/cm W-L-H	Packed Weight/Kg
340051005201000	ASPENDOSE A 5,1L/0,5B D 220AT	5,1	0,5	12 x 21 x 13	0,78
340028030301000	ASPENDOSE A 2,8L/3B R 220AT	2,8	3		
340051005101000	ASPENDOSE A 5,1L/0,5B A 220AT	5,1	0,5		
340028030101000	ASPENDOSE A 2,8L/3B A 220AT	2,8	3		

* pH : max. %40 H₂SO₄ (Sulfuric Acid) *CL: max. %12,2 NaOCl (Sodium Hypochlorite)



Image 1



Image 2



Image 3



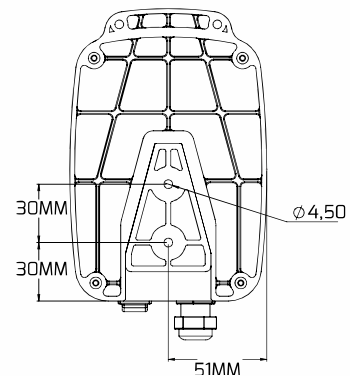
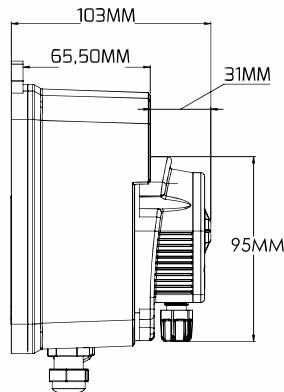
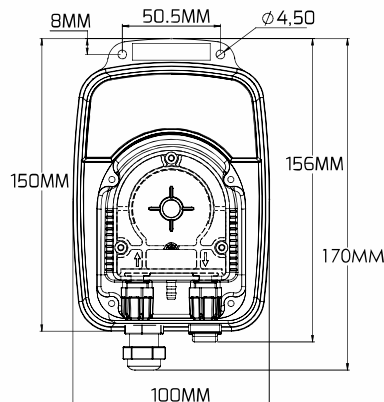
PERISTALTIC DOSING PUMPS

ASPENDOSE SERIES TECHNICAL SPECS

Model	Chemical Application	Min./Lt	Max./Lt	Max./P	Supply voltage	Watt	Product Weight	Weight	Max. Ambient Temperature	Max. Chemical Temperature	
		Lt / h	Lt / h	Bar	Volt	W	kg	IP	°C	°C	
A	5,1L/0,5B D	D (Detergent)	0,7	5,1	0,5	95-260 VAC 50-60 Hz	3,5	0,635	65	0-45	0-45
	2,8L/3B R	R (Rinse Aid)	0,5	2,8	3						
	5,1L/0,5B A	A (pH-CL)*	0,7	5,1	0,5						
	2,8L/3B A	A (pH-CL)*	0,5	2,8	3						

* pH : max. %40 H₂SO₄ (Sulfuric Acid)

*CL: max. %12,2 NaOCl (Sodium Hypochlorite)



ASPENDOSE Series Dosing Pump Used Parts and Materials

Pump Model	A (pH-CL)	D (Detergent)	R (Rinse Aid)
Oem Head	PP	PP	PP
Pump Body	PP	PP	PP
Suction Set	PP, Viton Oring	PP, SS316	PP, SS316, Viton Oring
Injection Set	PP, Viton Oring, Zirconium Ball	PVDF, EPDM Oring	PVDF, SS316, Viton Oring
Roller Amount	3 Roller	3 Roller	2 Roller
Pipe	Norprene	Norprene	Silicon
Glands	PP	PP	PP
Suction Pipe	PVC	PVC	PVC
Injection Pipe	PE	PE	PE
Ventilating Pipe	PVC	PVC	PVC

PERISTALTIC DOSING PUMPS

01 ASPENDOSE OEM

Peristaltic Analog Dosing Pump

- Chemical Resistant PP body
- Chemical Discharge Tip
- Long-lasting roller system
- ph-Chlorine, Rinse Aid and Detergent model options
- 24v Power Supply
- Compact design for easy mounting



Mounting kit is not included OEM package
According to your application you may choose one of below product packages.

- | | |
|--------------------------------------------------------------------------------|-----------------------------------------------------------------------------------|
| ① Stock Code : 600110800140000
Stock Name: SUCTION KIT 4X6 PER | ⑤ Stock Code : 600110700211100
Stock Name: INJECTION KIT METAL 4X6 V ASPENDOSE |
| ② Stock Code : 600110700311000
Stock Name: INJECTION KIT4 x 6 V | ⑥ Stock Code : 500010066120000
Stock Name: Nozzle Kit For Pipe ASPENDOSE |
| ③ Stock Code : 600110800100000
Stock Name: SUCTION KIT 4X6 ASPENDOSE | ⑦ Stock Code : 600110500000000
Stock Name: PIPE KIT 4X6 ASPENDOSE |
| ④ Stock Code : 600110700113100
Stock Name: INJECTION KIT ASPENDOSE 4X6 PVDF | ⑧ Stock Code : 600110400800000
Stock Name: PIPE KIT ASPENDOSE |

Stock Code	Model	L/h	Max. Counter Pressure/Bar	Package Sizes/cm W-L-H	Packed Weight/Kg	Unit Price (€)
60011300331000	ASPENDOSE OEM 2,8L/3B 24VDC	2,8	3	12x12x8,5	0,28	
60011300321000	ASPENDOSE OEM 5,1L/0,5B 24VDC	5,1	0,5			

Please get in touch with your sale representative for updated prices



Image 1



Image 2



Image 3



A (pH-CL) model box content



Stock Code : 600521010210100
Stock Name: YP ASPENDOSE
INJECTION & SUCTION SET A

D (Detergent) model box content



Stock Code : 600521010220100
Stock Name: YP ASPENDOSE
INJECTION & SUCTION SET D

R (Rinse Aid) model box content



Stock Code : 600521010230100
Stock Name: YP ASPENDOSE
INJECTION & SUCTION SET R

ACCESSORIES



Stock Code : 500010063200000
Stock Name: Chrome Nozzle Tee

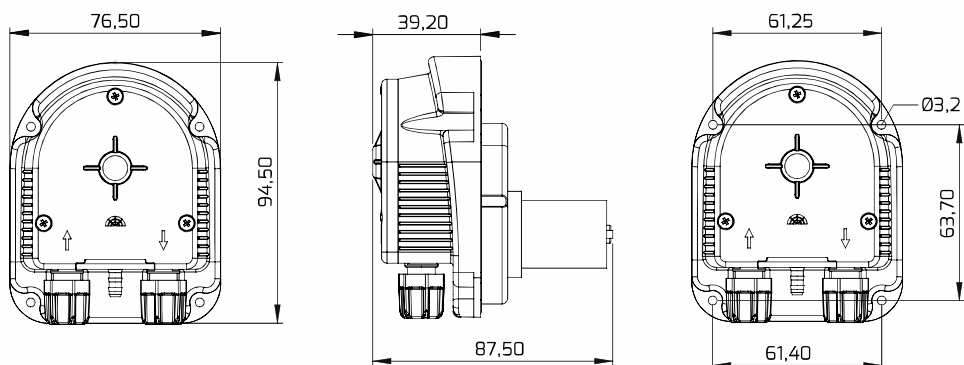
PERISTALTIC DOSING PUMPS

ASPENDOSE OEM TECHNICAL SPECS

Model	Chemical Application	Min./Lt	Max./Lt	Max./P	Supply voltage	Watt	Product Weight	Weight	Max. Ambient Temperature	Max. Chemical Temperature
		Lt / h	Lt / h	Bar	Volt	W	kg	IP	°C	°C
5,1L/0,5B 24VDC	pH-CL/Detergent	0,7	5,1	0,5	DC 24V		3,5	0,220	0-45	0-45
2,8L/3B 24VDC	Rinse Aid	0,5	2,8	3						

* pH : max. %40 H₂SO₄ (Sulfuric Acid)

*CL: max. %12,2 NaOCl (Sodium Hypochlorite)



ASPENDOSE OEM Series Dosing Pump Used Parts and Materials

Pump Model	OEM 5,1L/0,5B 24 (pH-CL* Detergent)	OEM 2,8L/3B 24 (Rinse Aid)
Oem Head	PP	PP
Roller Amount	3 Roller	2 Roller
Hose Type	Norprene	Silicon
Glands	PP	PP

