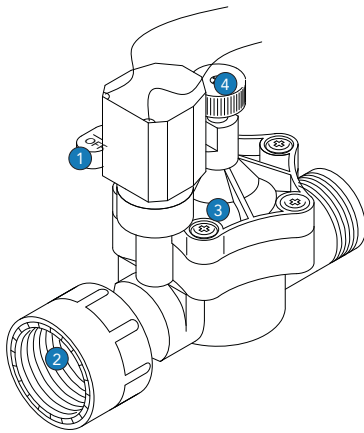



**1. BLEED HANDLE FOR MANUAL OPENING**

**2. THREADS AVAILABLE: MALE, FEMALE, UNION**

**3. SINGLE PIECE CO-INJECTED DIAPHRAGM**

**4. FLOW CONTROL AVAILABLE**

**RN 150 - LOSS OF CHARGE (in bar)**

	1/2"	3/4"	1"
20 l/min	0.35	0.35	0.30
30 l/min	0.52	0.52	0.45
40 l/min	0.70	0.60	0.60
50 l/min	0.80	0.80	0.70
60 l/min	0.80	0.80	0.70
70 l/min	0.85	0.85	0.75
80 l/min	0.95	0.95	0.85
90 l/min	1.05	1.05	0.95

# RN 150

Electric valves

## DESCRIPTION

Rain is very proud to introduce new versions of the well known family of the electric valves RN150.

Thanks to a long study of the fluid's dynamic this small dimension doesn't prejudice the loss of charge, that remains low until more than 35 liters per minute.

The wide range of possible combinations and the extremely competitive price, makes this valve economic and suitable for different kind of installations, in small and medium residential applications.

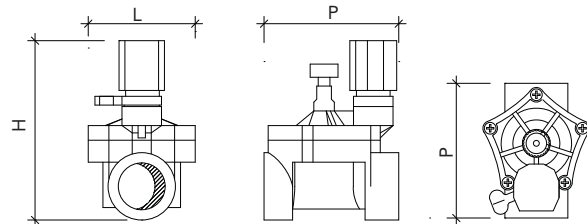
## TECHNICAL INFORMATION

- PA 6 30% fiberglass
- Single-piece diaphragm for reliable leak-free valve closing
- Self cleaning stainless-steel metering pin
- Stainless-steel diaphragm differential spring for smooth closing
- Solenoid certificate CE, IP 68 9 PN12 tested piece by piece at 14 bar
- Bleed handle for manual opening with internal bleed
- Energy efficient solenoid 0,2 amp, 4,8 VAC
- Standard solenoid: 24 VAC
- Available solenoid 12 VDC; 24 VDC; 110 VAC; 9 (6-40) VDC Latching
- Flow Control

## OPERATING CONDITIONS

- Pressure: min 1.0 bar - max 12.0 bar
- Temperature: +4° C/70° C Available Versions
- Flow rate: from 20 l/min to 50 l/min

Code	Models
100.4600710	RN 150 3/4" M 24VAC
100.4600910	RN 150 1" M 24VAC
100.4800710	RN 150 3/4" F 24 VAC
100.4800910	RN 150 1" F 24 VAC
100.4500511	RN 150 1/2" F W/FC 24VAC
100.4400711	RN 150 3/4" M W/FC 24VAC
100.4400911	RN 150 1" M W/FC 24VAC
100.4500711	RN 150 3/4" F W/FC 24VAC
100.4500911	RN 150 1" F W/FC 24VAC


**RN 150 - DIMENSIONS (in cm)**

	3/4" M	1" M	1/2" F	3/4" F
H	11.4	11.4	11.4	11.4
P	11.5	11.6	9.2	9.2
L	7.1	7.1	7.1	7.1

**RN 150 - DIMENSIONS (in cm)**

	1" F	1" M x U	1" U x U
H	11.4	11.4	11.4
P	9.2	12.8	14.1
L	7.1	7.1	7.1

## JAR-TOP

Electric valves



1. BLEED HANDLE FOR MANUAL OPENING



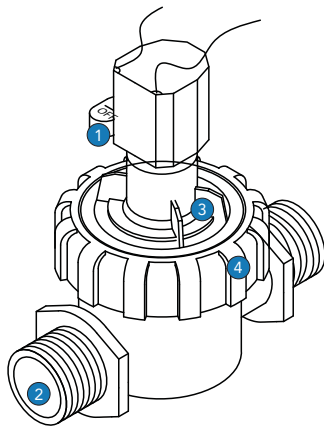
2. THREADS AVAILABLE: MALE, FEMALE, UNION



3. SINGLE PIECE CO-INJECTED DIAPHRAGM



4. SINGLE PIECE CO-INJECTED DIAPHRAGM



RN JAR-TOP - LOSS OF CHARGE (in bar)

	3/4"	1"	1" MxU
30 l/min	0.38	0.28	0.33
45 l/min	0.38	0.30	0.34
60 l/min	0.40	0.30	0.35
75 l/min	0.40	0.35	0.35
90 l/min	0.46	0.40	0.40
105 l/min	0.52	0.40	0.45
120 l/min	0.62	0.50	0.56
135 l/min	0.71	0.60	0.65

### DESCRIPTION

Rain's wide range of electric-valves is completed by the this family, studied for the professional contractor.

In fact the Jar-Top valve combines the most appreciated features: reliability and easy installation and product maintenance.

Reliability is ensured by high quality raw material: polyamide, TPE and AISI L stainless steel. The exceptional quickness of installation is guaranteed by the manifold system, model worldwide Rain's exclusive.

Thanks to the Jar-Top concept cleaning the valve is now easier than ever.

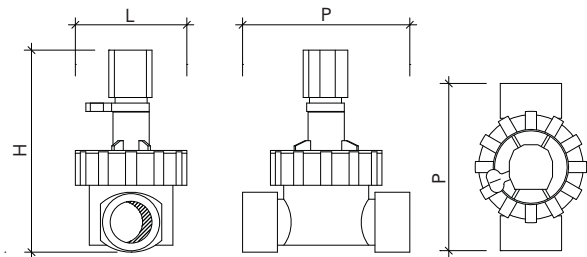
### TECHNICAL INFORMATION

- PA 6 30% fiberglass
- Single-piece diaphragm for reliable leak-free valve closing
- Self cleaning stainless-steel metering pin
- Stainless-steel diaphragm differential spring for smooth closing
- Solenoid certificate CE, IP 68 9
- PN12 tested piece by piece at 14 bar
- Bleed handle for manual opening with internal bleed
- Energy efficient solenoid 0,2 amp, 4,8 VAC
- Standard solenoid: 24 VAC
- Available solenoid 12 VDC; 24 VDC; 110 VAC; 9 (6-40) VDC Latching
- On request are also available NPT thread version: 1" F cod. 100.3210910

### OPERATING CONDITIONS

- Pressure: min 1.0 bar - max 12.0 bar
- Temperature: +4° C/70° C
- Flow rate: from 20 l/min to 70 l/min

Code	Models
100.3000710	JAR-TOP 3/4" M 24VAC
100.3200710	JAR TOP 3/4" F 24VAC
100.3000910	JAR-TOP 1" M 24VAC
100.3200910	JAR TOP 1" F 24VAC



JAR - TOP - DIMENSIONS (in cm)

	3/4" M	1" M	3/4" F	1" F	1" M x U
H	14.0	14.0	14.0	14.0	14.0
P	11.6	12.1	12.0	12.0	13.0
L	8.0	8.0	8.0	8.0	8.0

## RN 155 PLUS

Electric valves

### DESCRIPTION

Rain RN155 PLUS is the family of electric valves for professional landscape applications. Versatile, with very low loss of charge is the reliable hearth of an advanced irrigation system.

The easy manual opening integrated in the valve body, the flow control to adjust your system to the flow availability and the strong body are some of the features that make this electric valves leader in the market.

### TECHNICAL INFORMATION

PA 6 30% fiberglass

- Single-piece diaphragm for reliable leak-free valve closing
- Self cleaning stainless-steel metering spring
- Stainless-steel diaphragm differential spring for smooth closing
- Solenoid certificate CE, IP 68 9 PN12 tested piece by piece at 14 bar

- Bleed handle for manual opening with internal bleed
- Energy efficient solenoid 0,2 amp, 4,8 VAC

- Standard solenoid: 24 VAC

- Available solenoid 12 VDC; 24 VDC; 110 VAC; 9 (6-40) VDC

Latching

- Flow Control

• RN155 PLUS valves are also available in NPT thread for all the american and latin-american markets

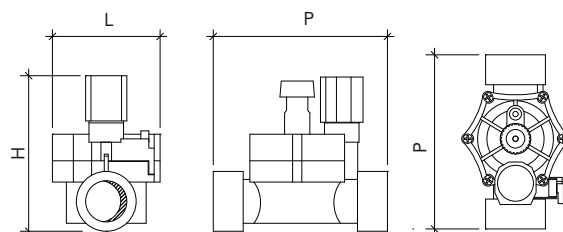
### OPERATING CONDITIONS

- Pressure: min 1.0 bar - max 12.0 bar

- Temperature: +4° C/70° C

- Flow rate: from 35 l/min to 90 l/min

Code	Models
100.1560711	RN 155 PLUS 3/4" M
100.1560911	RN 155 PLUS 1" M
100.1580911	RN 155 PLUS 1" F
100.1560916	RN 155 PLUS 1" MxU



RN 155 - DIMENSIONS (in cm)

	3/4" M	1" M	1" F	1" M x U
H	11.5	11.5	11.5	11.5
P	13.1	13.1	13.1	13.9
L	8.1	8.1	8.1	8.1



1. SINGLE PIECE CO-INJECTED DIAPHRAGM



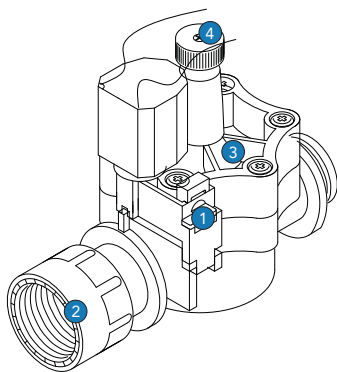
2. THREADS AVAILABLE: MALE, FEMALE, UNION



3. BLEED HANDLE FOR MANUAL OPENING INTEGRATED IN VALVE BODY



4. FLOW CONTROL ADJUSTMENT HANDLE AVAILABLE



RN 155 - LOSS OF CHARGE (in bar)

	3/4"	1"	1" MxU
30 l/min	0.30	0.25	0.35
45 l/min	0.30	0.25	0.35
60 l/min	0.30	0.25	0.35
75 l/min	0.30	0.25	0.35
90 l/min	0.37	0.28	0.42
105 l/min	0.42	0.32	0.47
120 l/min	0.52	0.35	0.57
135 l/min	0.62	0.40	0.67
150 l/min	0.75	0.47	0.80



## RN 160 PLUS

Electric valves



### DESCRIPTION

Rain RN160 PLUS is the family of electric valves for professional landscape and agricultural applications.

This family is an historical product of Rain and its reliability, strength and high performances are well known in the market and have been even improved year after year.

### TECHNICAL INFORMATION

- PA 6 30% fiberglass
- Self cleaning stainless-steel metering pin
- Stainless-steel diaphragm differential pring for smooth closing
- Flow control
- Solenoid certificate CE, IP 68 9 PN12 tested piece by piece at 14 bar
- Bleed handle for manual opening with internal bleed
- Energy efficient solenoid 0,2 amp, 4,8 VAC
- Standard solenoid: 24 VAC
- Available solenoid 12 VDC; 24 VDC; 110 VAC; 9 (6-40) VDC Latching
- On request are also available NPT thread versions: 1"1/2 NPT W/ FC or 2" NPT W/FC

### OPERATING CONDITIONS

- Pressure: min 1.0 bar - max 12.0 bar
- Temperature: +4° C/70° C
- Flow rate: from 75 l/min to 300 l/min

Code	Models
100.5700911	160PLUS 1" F W/FC 24VAC
100.5701211	160PLUS 1"1/4 F W/FC 24VAC
100.5701511	160PLUS 1"1/2 F W/FC 24VAC
100.5701711	160PLUS 2" F W/FC W/FC 24VAC

1. BLEED HANDLE FOR MANUAL OPENING



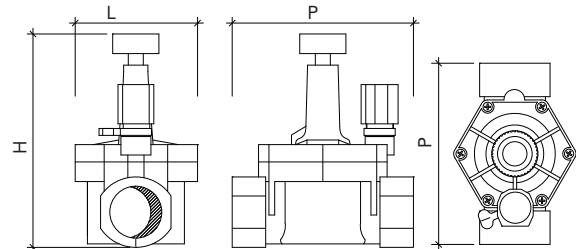
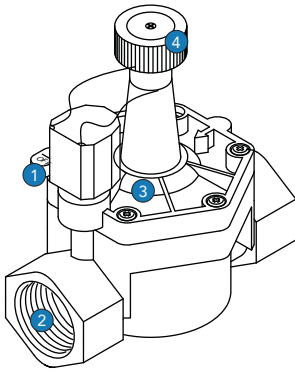
2. THREADS AVAILABLE: FEMALE, MALE X UNION



3. SINGLE PIECE CO-INJECTED DIAPHRAGM



4. FLOW CONTROL ADJUSTMENT HANDLE



RN 160 - LOSS OF CHARGE (in bar)				
	1"	1"1/4	1"1/2	2"
75 l/min	0.20	0.20		
100 l/min	0.27	0.20	0.20	0.16
125 l/min	0.32	0.21	0.20	0.16
150 l/min	0.42	0.27	0.20	0.16
175 l/min	0.58	0.30	0.21	0.18
200 l/min	0.75	0.40	0.25	0.21
225 l/min		0.48	0.29	0.23
250 l/min		0.58	0.34	0.28
275 l/min		0.69	0.39	0.32
300 l/min			0.45	0.38
325 l/min				0.41

RN 160 - DIMENSIONS (in cm)					
	1" F	1"1/4 F	1"1/2" F	2" F	2" M x U
H	18.4	18.4	18.4	18.4	18.4
P	14.5	14.8	15.7	18.3	17.5
L	10.6	10.6	10.6	10.6	10.6



1. BLEED HANDLE FOR MANUAL OPENING



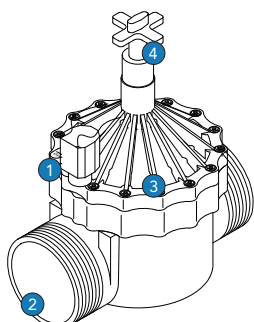
3. ASSEMBLED DIAPHRAGM



2. THREADS AVAILABLE: MALE, FEMALE



4. FLOW CONTROL ADJUSTMENT HANDLE AVAILABLE



RN 180 - LOSS OF CHARGE (in bar)

	2"	3"
200 l/min	0.07	0.05
300 l/min	0.09	0.07
400 l/min	0.12	0.09
500 l/min	0.14	0.12
600 l/min	0.16	0.14
700 l/min	0.19	0.16
800 l/min	0.25	0.18
900 l/min	0.31	0.23
1000 l/min	0.38	0.28
1100 l/min	0.47	0.35

## RN 180

Electric valves

**FAMCO**  
هایپر صنعت

### DESCRIPTION

Rain RN180 is the family of electric valves dedicated for agriculture and big installations with high flow.

2 kg of weight made of virgin nylon plus 30% of fibreglass is the starting condition for the excellence for an electric valve for these applications.

Strong and reliable is studied to face even extreme conditions of flow, also thanks to its safe closing process to prevent water hammer.

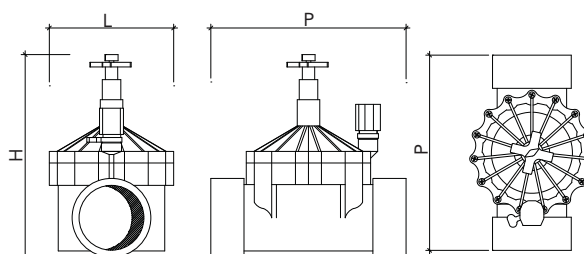
### TECHNICAL INFORMATION

- PA 6 30% fiberglass
- Self cleaning stainless-steel metering pin
- Stainless-steel diaphragm differential spring for smooth closing
- Solenoid certificate CE, IP 68 9
- PN12 tested piece by piece at 14 bar
- Bleed handle for manual opening with internal bleed
- Energy efficient solenoid 0,2 amp, 4,8 VAC
- Flow Control
- Standard solenoid: 24 VAC
- Available solenoid 12 VDC; 24 VDC; 110 VAC; 9 (6-40) VDC Latching

### OPERATING CONDITIONS

- Pressure: min 1.0 bar - max 12.0 bar
- Temperature: +4° C/70° C
- Flow rate: from 200 l/min to 1100 l/min

Code	Models
100.1802510	RN 180 2" F W/FC 24VAC
100.1803510	RN 180 3" M W/FC 24VAC
100.1803410	RN 180 3" F W/FC 24VAC



RN 180 - DIMENSIONS (in cm)

	3" M	3" F	2" F
H	25.0	25.0	25.0
P	24.0	25.3	25.3
L	17.0	17.0	17.0



## RN 180 3 WAY

Electric valves

**new**



### TECHNICAL INFORMATION

- PA 6 30% fiberglass
- Filter for dirty water working
- Stainless-steel diaphragm differential spring for smooth closing
- Solenoid certificate CE, IP 68 9
- PN12 tested piece by piece at 14 bar
- Bleed handle for manual opening with internal bleed
- Energy efficient solenoid 0,2 amp, 4,8 VAC
- Flow Control
- Base

### OPERATING CONDITIONS

- Pressure: min 1.0 bar - max 12.0 bar
- Temperature: +4° C/70° C
- Flow rate: from 200 l/min to 1100 l/min

### AVAILABLE VERSIONS

- Standard solenoid: 24 VAC
- Available solenoid 12 VDC; 24 VDC; 110 VAC; 9 (6-40) VDC Latching

Code	Models
100.1805410	RN 180 3" F WAY
100.1805520	RN 180 3 WAY

#### 1. CONNECTION



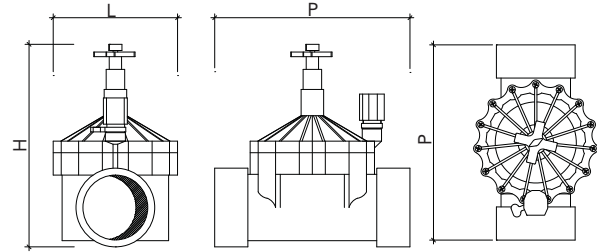
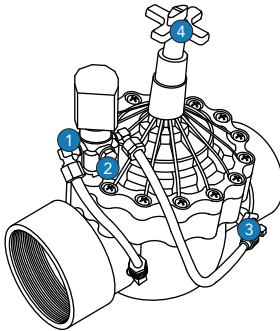
#### 3. 1/4" FILTER



#### 2. ADJUSTMENT



#### 4. FLOW CONTROL ADJUSTMENT HANDLE AVAILABLE



RN 180 - DIMENSIONS (in cm)			
	3" M	3" F	2" F
H	25.0	25.0	25.0
P	24.0	25.3	25.3
L	17.0	17.0	17.0

#### RN 180 - LOSS OF CHARGE (in bar)

	2"	3"
200 l/min	0.07	0.05
300 l/min	0.09	0.07
400 l/min	0.12	0.09
500 l/min	0.14	0.12
600 l/min	0.16	0.14
700 l/min	0.19	0.16
800 l/min	0.25	0.18
900 l/min	0.31	0.23
1000 l/min	0.38	0.28
1100 l/min	0.47	0.35

