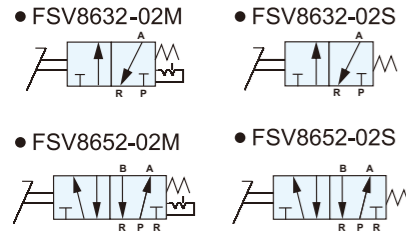


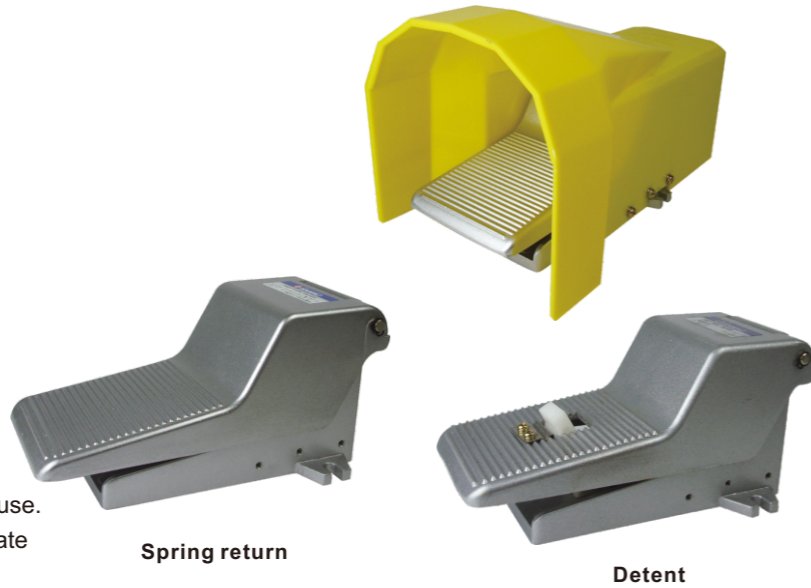
# FSV Series 5/2, 3/2 Way Foot Pedal Valve

## Symbol



## Features

1. Aluminum alloy construction for durable use.
2. Available to be installed with polycarbonate protective guard.



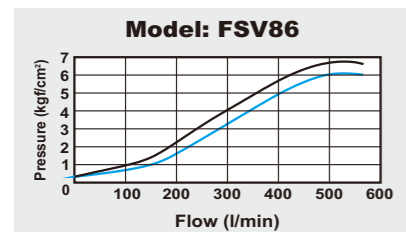
## How to order

<b>FSV8632</b> – <b>02</b>	<b>N</b>	<b>M</b>	<b>F</b>
<b>FSV8652 : 5/2 Way</b> <b>FSV8632 : 3/2 Way</b>	<b>Port size</b> 02 : 1/4"	<b>Thread</b> Blank : G N : NPT R : Rc	<b>Acting</b> S : Spring return M : Detent
			<b>Protective guard</b> Blank : W/O guard F : W/ I guard

## Specifications

Model	FSV8632-02	FSV8652-02
Port size	1/4"	
Body material	Aluminum alloy	
Fluid	Compressed air	
Sectional area	12mm <sup>2</sup>	
Operating pressure range	0 ~ 9 kgf/cm <sup>2</sup>	
Proof pressure	10 kgf/cm <sup>2</sup>	
Ambient temperature	-10°C ~ 60°C	

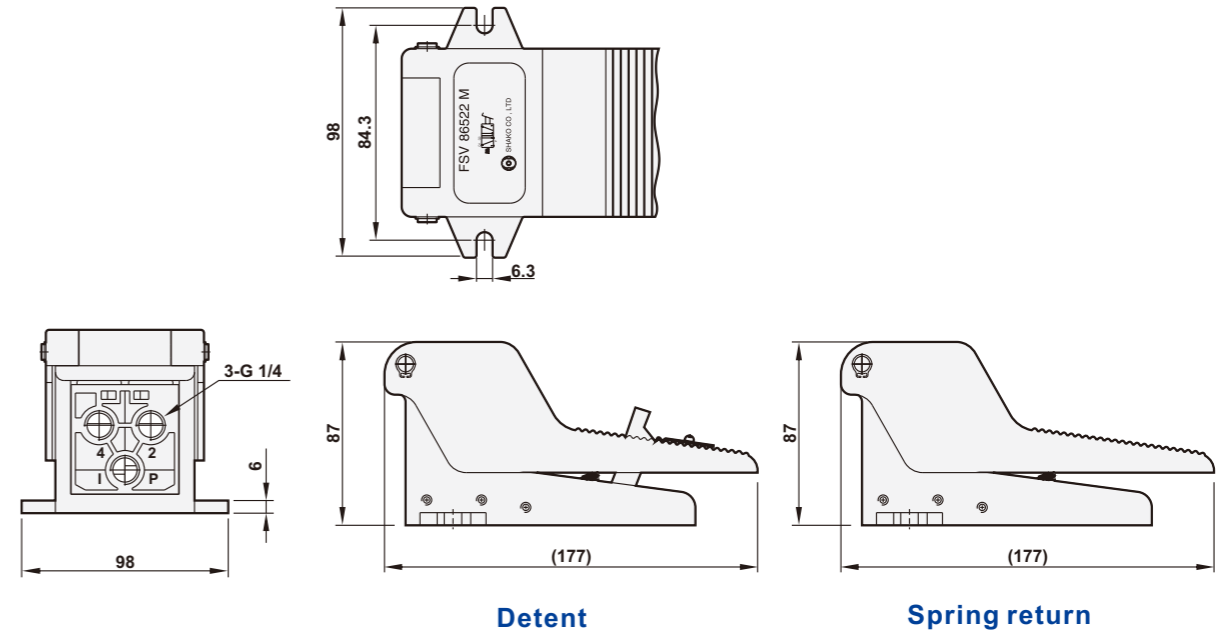
## Flow chart



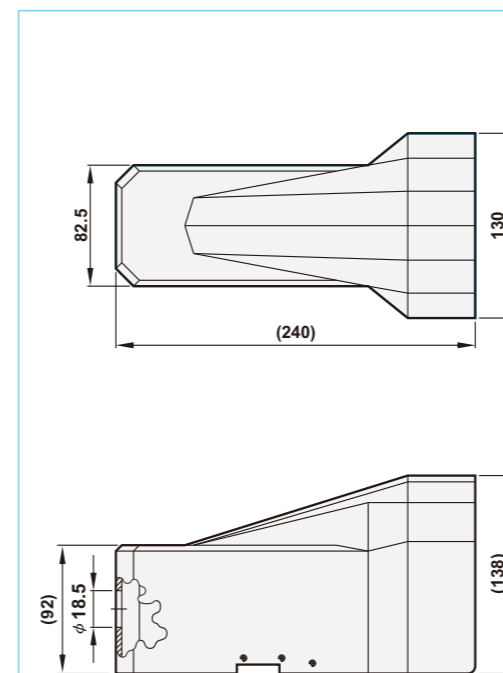
P2-57

## Dimensions

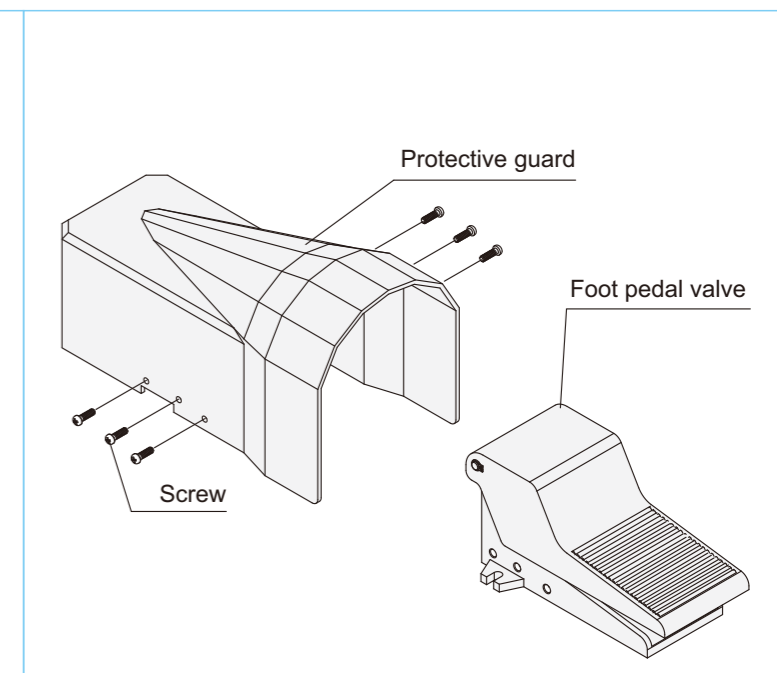
FSV8652-02M(S), FSV8632-02M(S)



## Guard dimensions

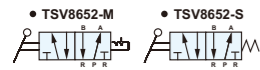


## Explosion



P2-58

**Symbol**



**Features**

1. Easy operation.
2. Large flow rate.
3. Suitable for vacuum operation.
4. Available for panel mounting.
5. Mounting bracket as optional accessory.
6. TSV8652R-01/02 for manifold assembly.



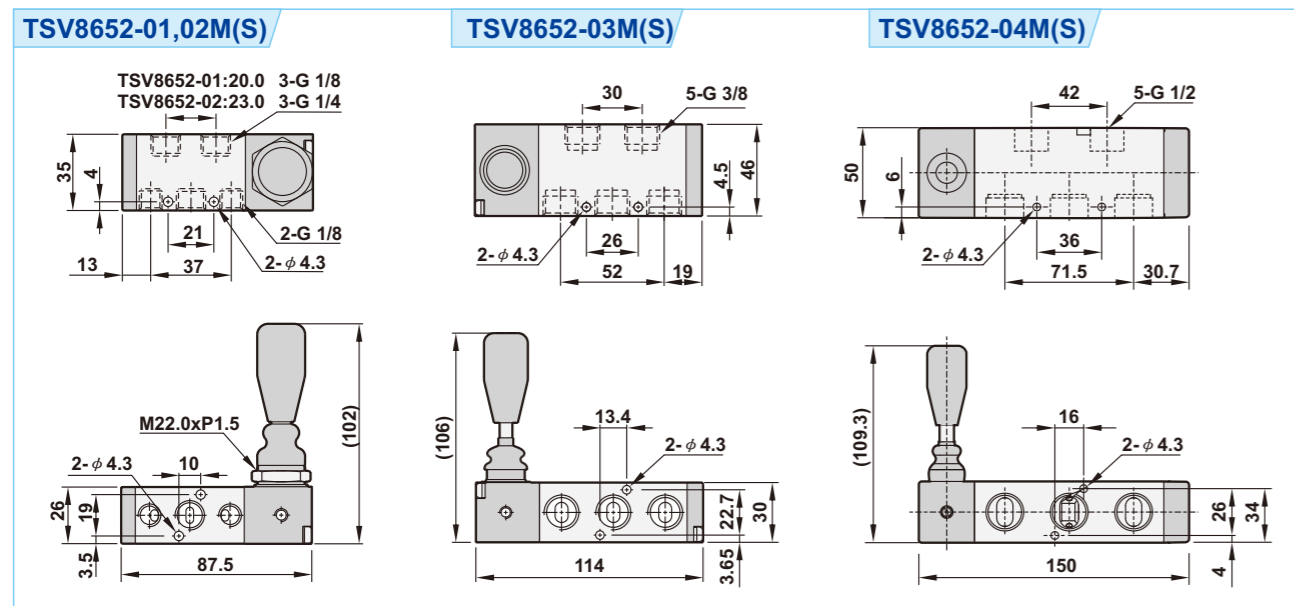
**How to order**

<b>TSV8652</b>	<b>R</b>	<b>-</b>	<b>02</b>	<b>N</b>	<b>M</b>	<b>F</b>
5/2 Way	<b>Manifold</b>		<b>Port size</b>	<b>Thread</b>	<b>Acting</b>	<b>Mounting bracket</b>
	Blank : Standard R : Manifold type (for 1/8", 1/4" port only)		01 : 1/8" 02 : 1/4" 03 : 3/8" 04 : 1/2"	Blank : G N : NPT R : Rc	S : Spring return M : Detent	Blank : W/O bracket F : W/I mounting bracket (For 1/8", 1/4" port only)

**Specifications**

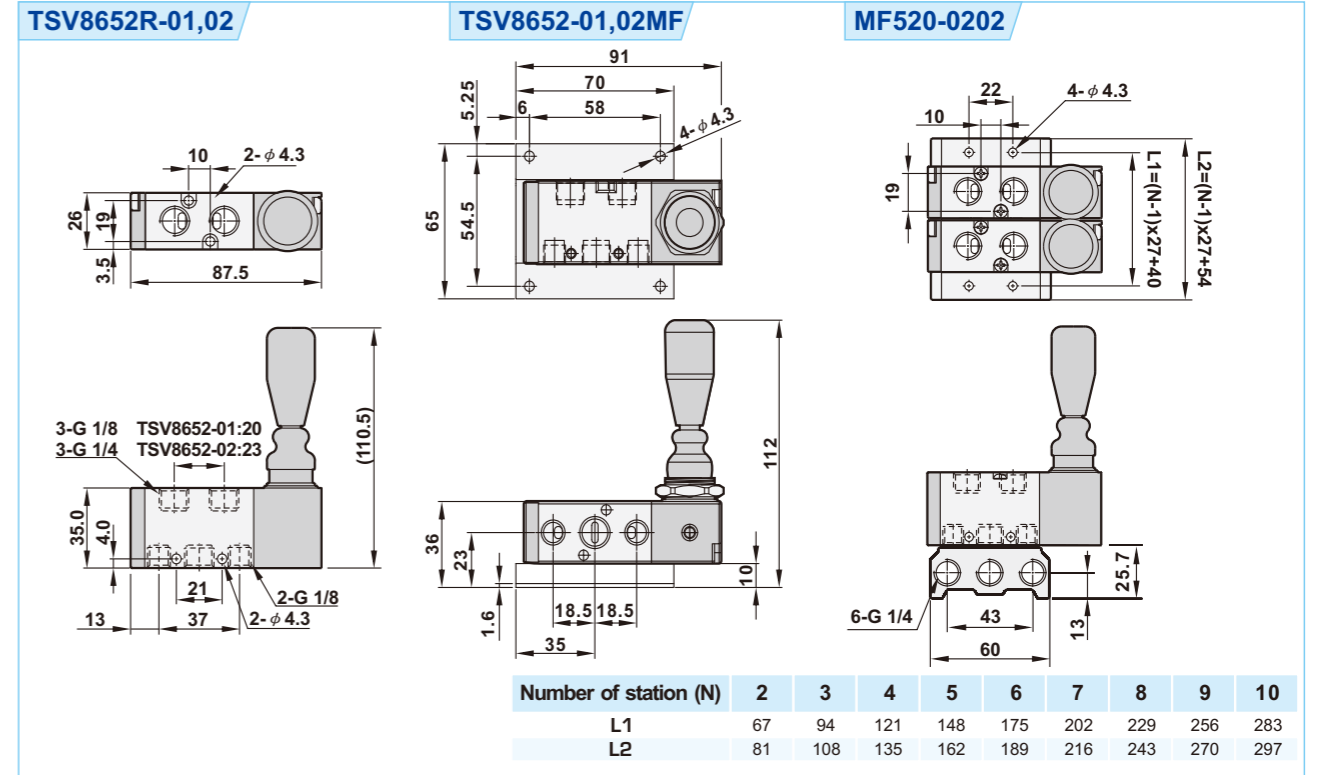
Model	TSV8652(R)-01M(S)	TSV8652(R)-02M(S)	TSV8652-03M(S)	TSV8652-04M(S)
Port size	1/8"	1/4"	3/8"	1/2"
Body material	Aluminum alloy			
Fluid	Compressed air			
Sectional area	14mm <sup>2</sup>	18mm <sup>2</sup>	35mm <sup>2</sup>	38mm <sup>2</sup>
Operating pressure range	0 ~ 9 kgf/cm <sup>2</sup>			
Proof pressure	10 kgf/cm <sup>2</sup>			
Ambient temperature	-10°C ~ 60°C			

**Dimensions**

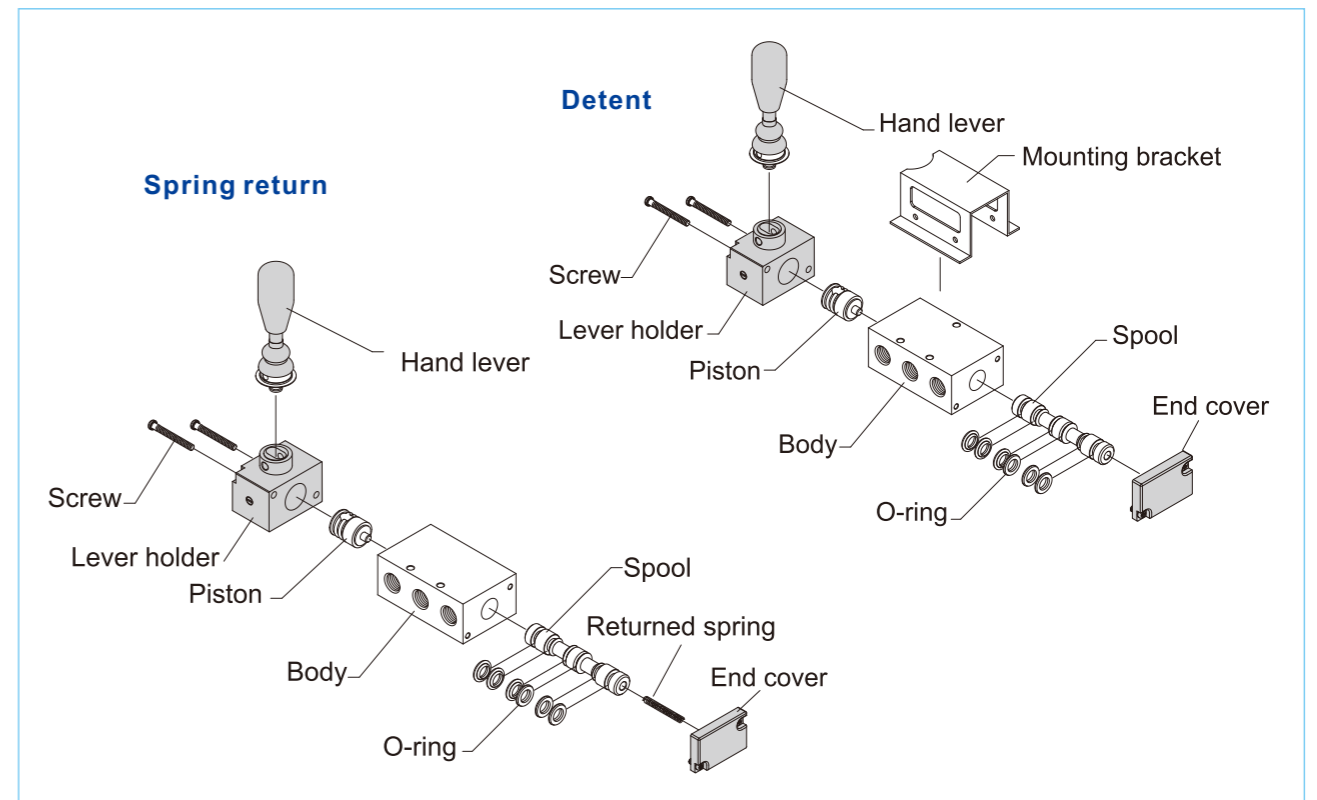


P2-51

**Dimensions**

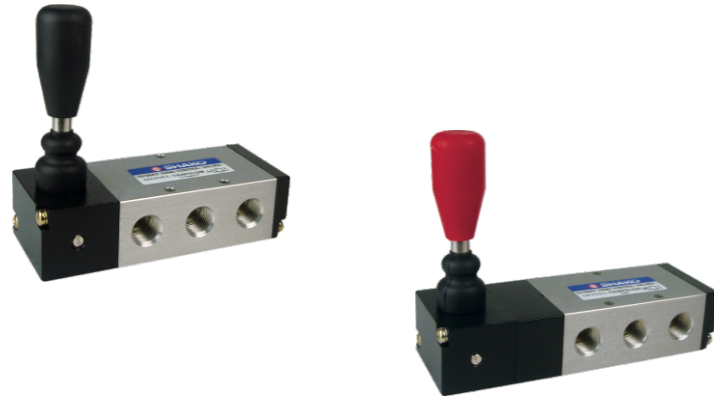
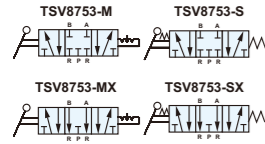


**Explosion**



P2-52

■ **Symbol**



■ **Features**

1. Easy operation.
2. Large flow rate.
3. Suitable for vacuum operation.
4. Mounting bracket as optional accessory.

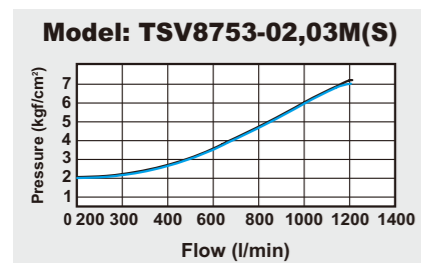
■ **How to order**

<b>TSV8753</b>	<b>02</b>	<b>N</b>	<b>M</b>
5/3 Way	Port size	Thread	Acting
	02 : 1/4"	Blank : G	S : Spring return
	03 : 3/8"	N : NPT	M : Detent
	04 : 1/2"	R : Rc	SX : Exhaust center, Spring return
			MX : Exhaust center, Detent

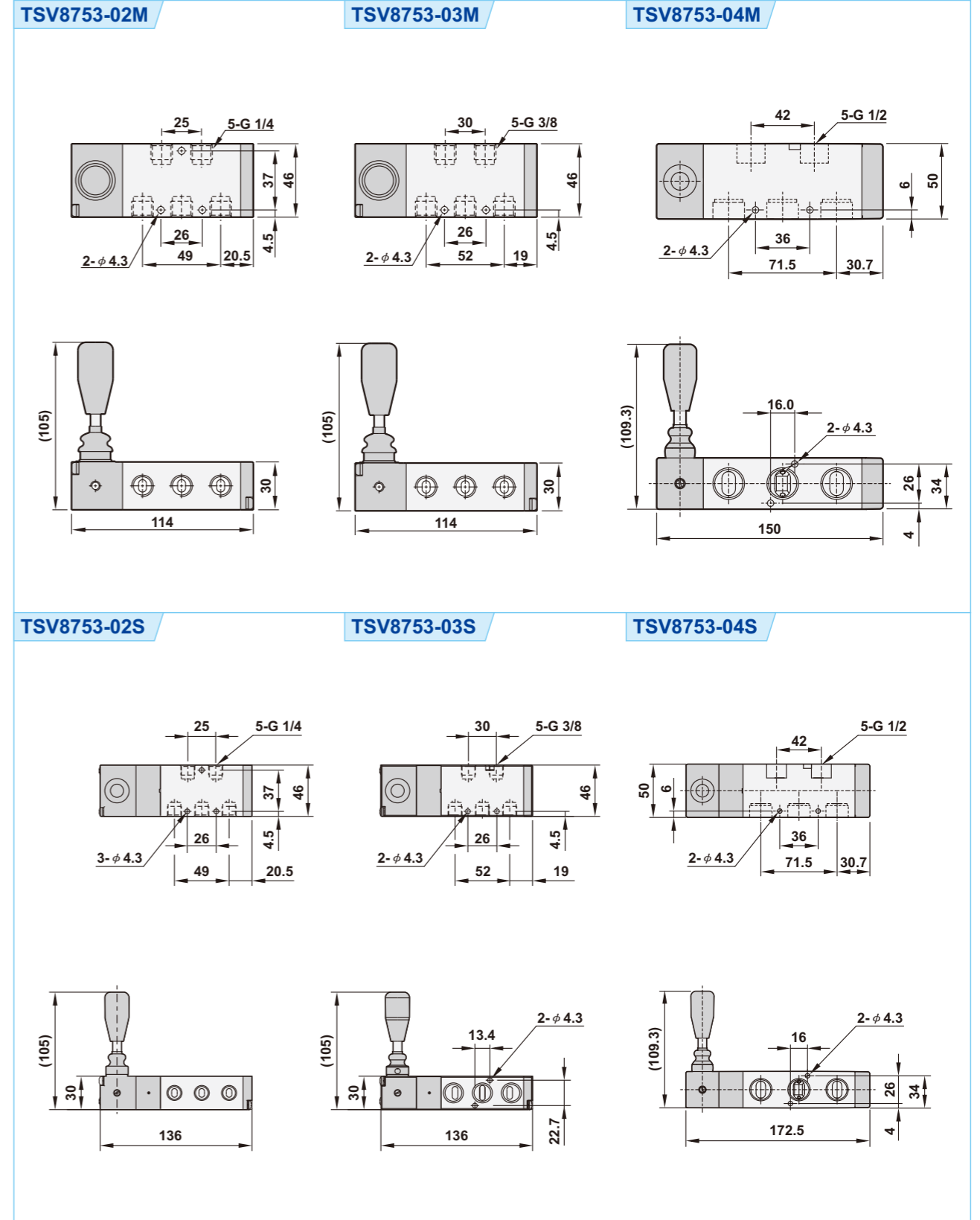
■ **Specifications**

Model	TSV8753-02M(S)	TSV8753-03M(S)	TSV8753-04M(S)
Port size	1/4"	3/8"	1/2"
Body material	Aluminum alloy		
Fluid	Compressed air		
Sectional area	18mm <sup>2</sup>	35mm <sup>2</sup>	38mm <sup>2</sup>
Operating pressure range	0 ~ 9 kgf/cm <sup>2</sup>		
Proof pressure	10 kgf/cm <sup>2</sup>		
Ambient temperature	-10°C ~ 60°C		

■ **Flow chart**



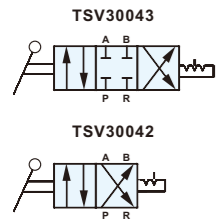
■ **Dimensions**



P2-53

P2-54

■ **Symbol**



■ **Features**

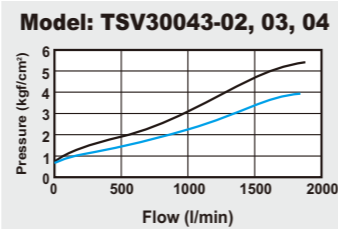
1. Simply operating.
2. Large flow rate.
3. High safety.
4. Light weight.
5. 4 kinds of installation.
6. Twist lock is optional for safety operation.



■ **How to order**

	<b>02</b>	<b>N</b>	<b>B</b>
<b>TSV30043: 4/3 Way</b>	<b>Port size</b>	<b>Thread</b>	<b>Valve type</b>
<b>TSV30042: 4/2 Way</b>	02 : 1/4"	Blank : G	Blank : Standard
	03 : 3/8"	N : NPT	B : Ports on bottom
	04 : 1/2"	R : Rc	C : With twist lock
			P : With panel mounting

■ **Flow chart**



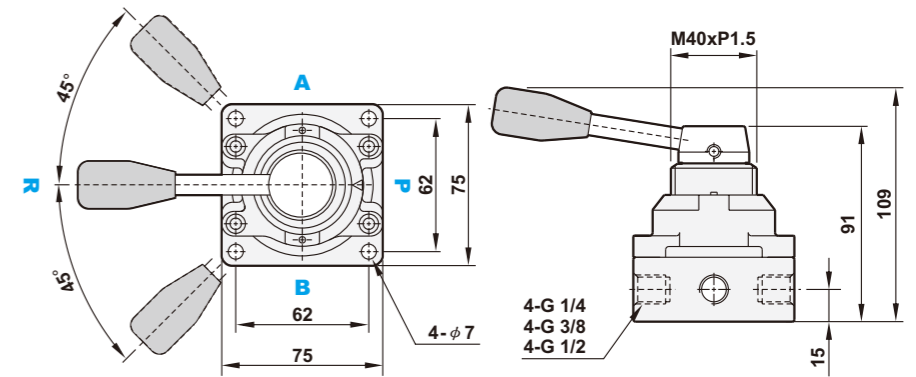
■ **Specifications**

Model	TSV30043(2)-02	TSV30043(2)-03	TSV30043(2)-04
Port size	1/4"	3/8"	1/2"
Body material	Aluminum alloy		
Panel dimension	M40 x P1.5 (For panel mounting only)		
Fluid	Compressed air		
Sectional area	18mm <sup>2</sup>		
Operating pressure range	0 ~ 9 kgf/cm <sup>2</sup>		
Proof pressure	10kgf/cm <sup>2</sup>		
Ambient temperature	-10°C ~ 60°C		
Net weight	600g	580g	560g

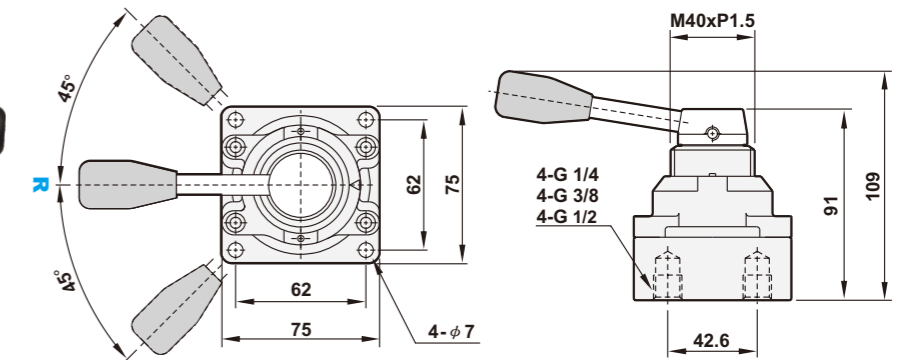
P2-47

■ **Dimensions**

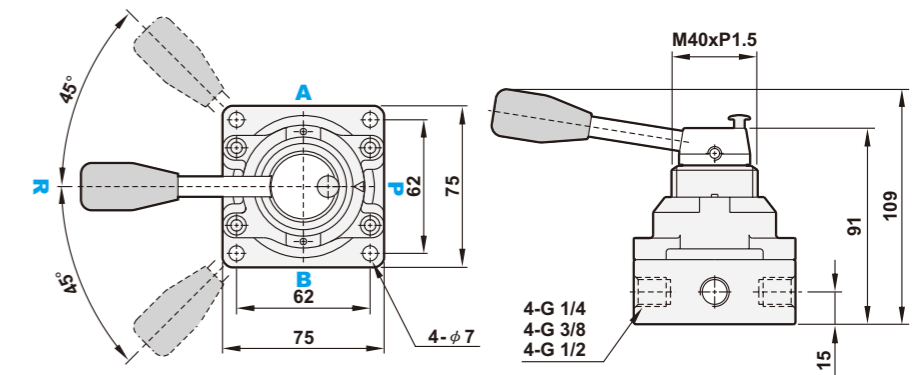
TSV30043-02,03,04



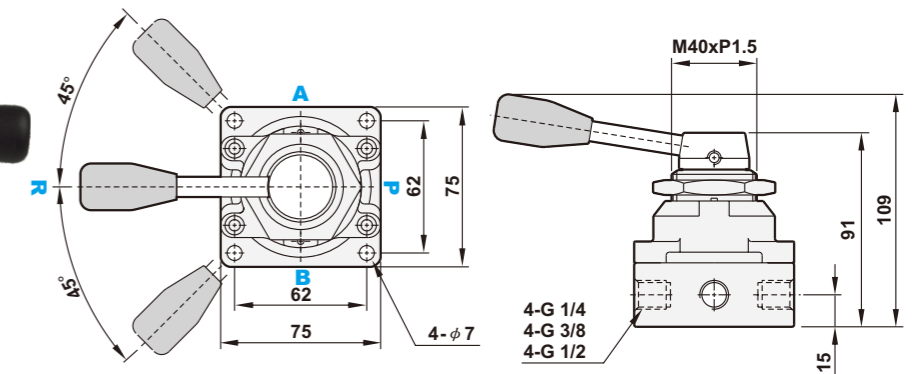
TSV30043-02,03,04 (B)



TSV30043-02,03,04 (C)



TSV30043-02,03,04 (P)



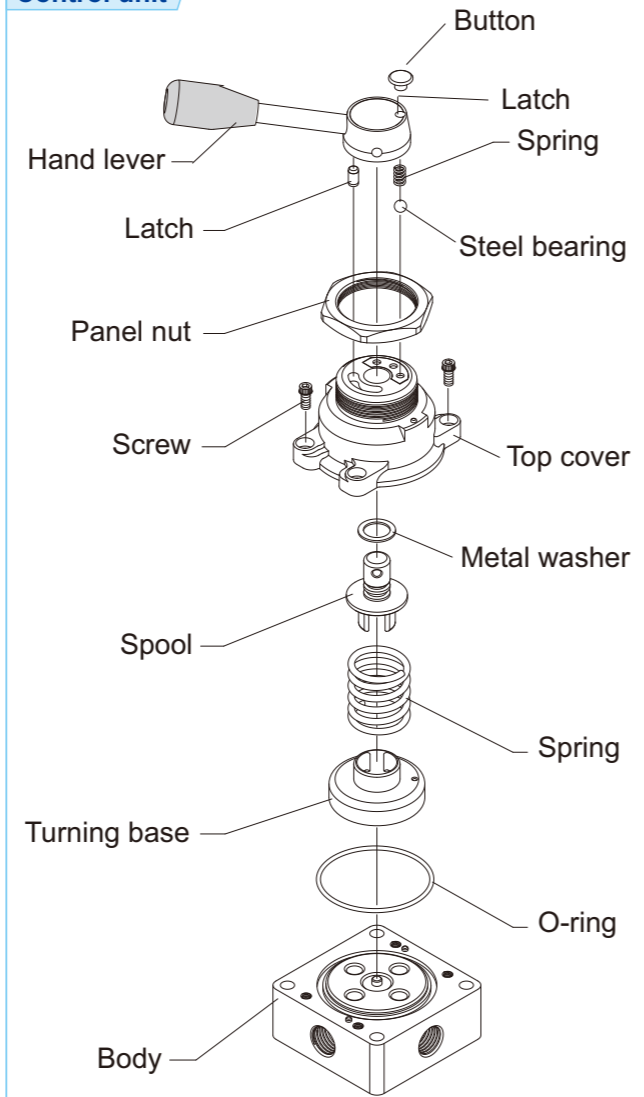
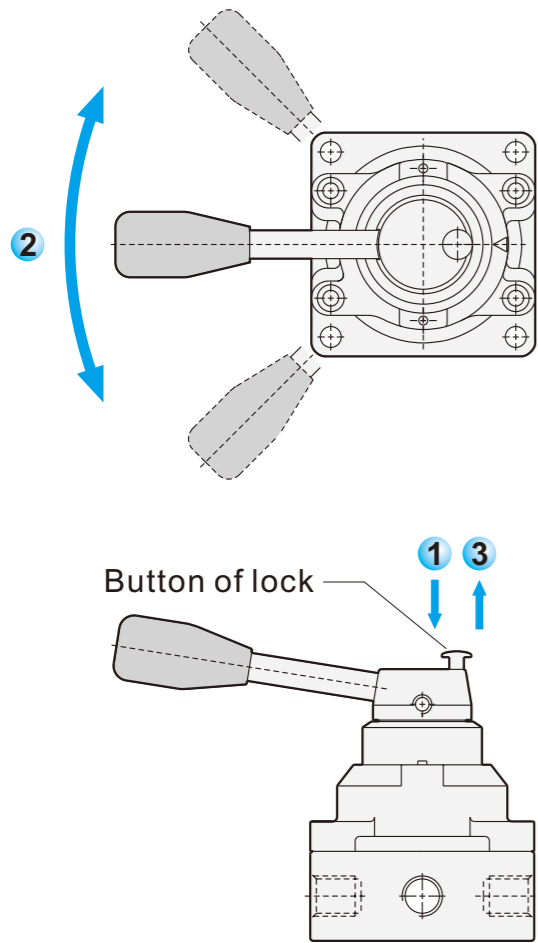
P2-48

■ Operating steps for twist lock

■ Explosion

Operating steps TSV30043C

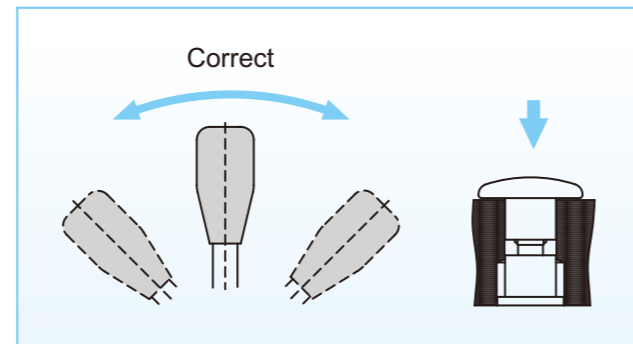
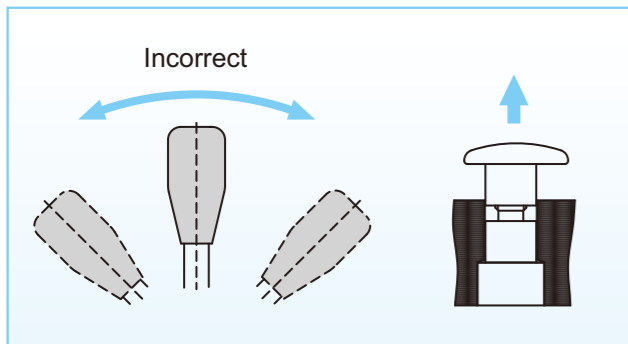
Control unit



Memo...

1. Push the button of lock down.
2. Turn lever to the left or right.

3. Release your hand to let the button of lock bound back.
4. Please do not turn lever when the button of lock bound back.



P2-49

P2-50

