


SUMMARY bit


bit STANDARD

● GENERAL TECHNICAL DATA bit C2.2




● bit FILTER  C2.4




● bit DEPURATOR  C2.6




● bit MICRO-REGULATOR  C2.8




● bit PADLOCKABLE MICROREGULATOR  C2.10




● bit FILTER-REGULATOR  C2.11



● bit LUBRICATOR  C2.13




● bit TAKE-OFF  C2.16




● FIL + REG + LUB bit  C2.17




● FR + LUB bit  C2.19



● FIL + DEP bit  C2.21



● FIL + LUB bit  C2.22


bit SERIES F FOR WATER

● GENERAL TECHNICAL DATA bit SERIES F FOR WATER C2.23




● bit SERIES F FILTER FOR WATER  C2.24





● bit SERIES F REGULATOR FOR WATER  C2.26



● bit SERIES F FILTER-REGULATOR FOR WATER  C2.29

ACCESSORIES AND SPARE PARTS

● bit ACCESSORIES  C2.32

● bit SPARE PARTS  C2.33

GENERAL TECHNICAL DATA **bit**

The units in the **bit** range feature:

- reduced dimensions
- negligible load loss
- long life
- excellent quality-to-price ratio

Thanks to its technical features the **bit** air treatment range is particularly suitable for de-centralized use near the final actuators.



UNITS

GENERAL TECHNICAL DATA bit

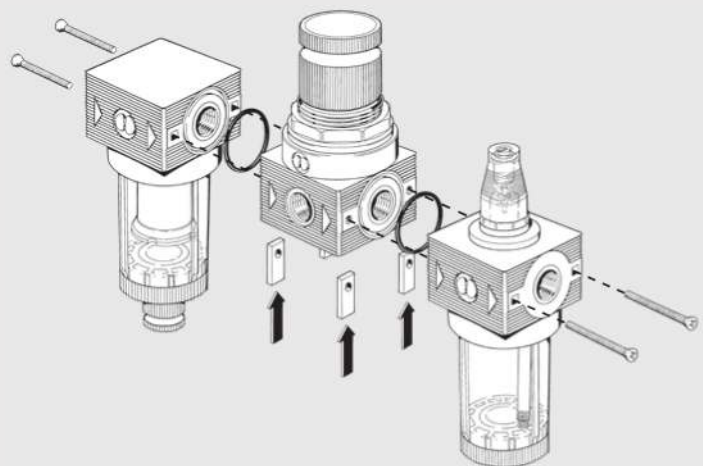
TECHNICAL DATA	BIT 1/8"		BIT 1/4"	
	1/8"		1/4"	
Threaded port	1/8"		1/4"	
Degree of filtration	μm		5 (yellow) 20 (white) 50 (blue)	
Degree of purification			99.97% α 0.01 μm	
Setting range	bar		0 to 2 - 0 to 4 - 0 to 8 - 0 to 12	
Max. inlet pressure	MPa		1.3	
	bar		13	
	psi		188	
Flow rate at 6.3 bar (0.63 MPa to 91 psi) ΔP 0.5 bar (0.05 MPa to 7 psi)	NL/min		350	
	scfm		12	
Max temperature at 1 MPa; 10 bar; 145 psi	°C		- 10° to + 50°	
	°F		14° to 122°	
Elements	Filter – Regulator – Lubricator – Filter-regulator – Depurator			
Mounting	Units: FRL, FR + L, F + L, F + D			
Fluid	By means of the bracket provided			
Compatibility with oils	Compressed air			
	See chapter Z1			

ASSEMBLY

Use ASSEMBLY PLATES (code 9170201) to assemble the **bit** elements correctly.

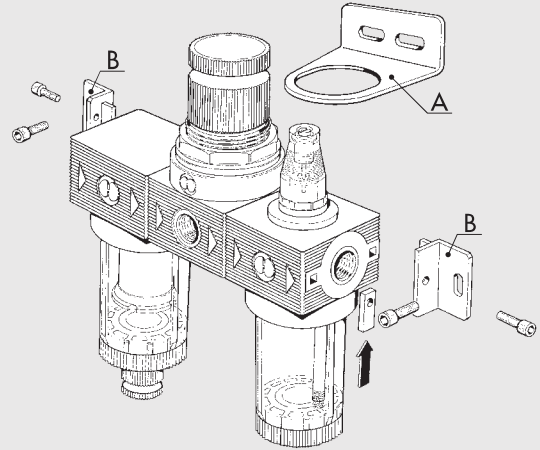
Assembly procedure:

- Fit the plates right into the slots under the body of the **bit** element
- Check that there O-rings round the threaded outlet
- Assemble the elements, making sure that the flow run in the direction of the arrows marked on the body.

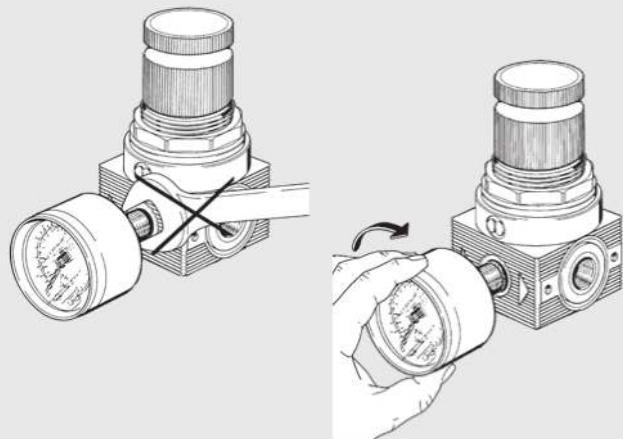


WALL MOUNTING

- The wall fixing of a bit unit can be made through:
- Fixing bracket R/FR code 9200701 (A)
 - Wall fixing plates code 9170301 (B)

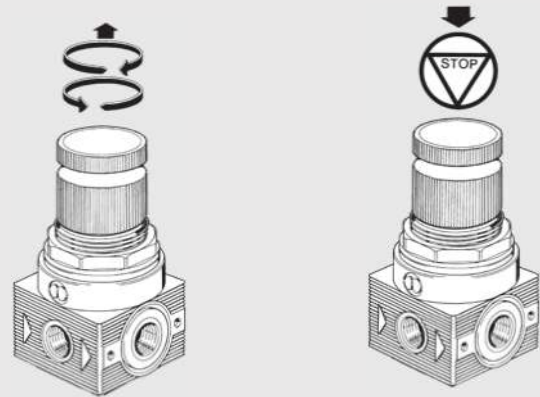


GENERAL RULES - USE AND MAINTENANCE



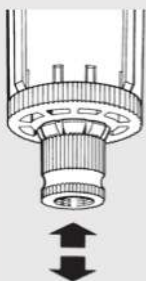
MOUNTING THE GAUGE

The gauge must be mounted by hand without using a spanner. Use fluid sealants to provide a good seal. N.B. Do not use Teflon.



SETTING THE PRESSURE

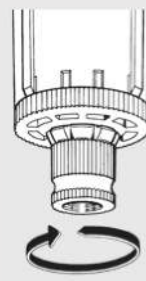
The air pressure must always be set upwards. The knob can be locked so that the set pressure cannot be altered.



With the knob in the centre position, the drain is semi-automatic. The drain operates when the bowl is not pressurized and closes when it is.



Press the button to drain condensate when the bowl is pressurized.



Turn the knob anticlockwise to close the valve with bowl pressurized or not pressurized.



To clean or replace the filter element unscrew the screen of the centrifuge assembly. Use a no. 3 compass spanner to unscrew the bowl.

bit FILTER

The units in the **bit** range feature:

- reduced dimensions
- negligible load loss
- long life
- excellent quality-to-price ratio

Thanks to its technical features the **bit** air treatment range is particularly suitable for de-centralized use near the final actuators.



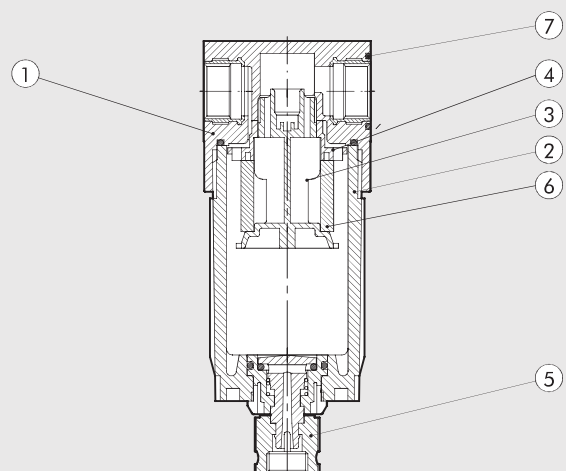
UNITS

bit FILTER

TECHNICAL DATA	BIT 1/8"		BIT 1/4"	
	1/8"		1/4"	
Threaded port	1/8"		1/4"	
Degree of filtration	μm		5 (yellow) 20 (white) 50 (blue)	
Max. inlet pressure	MPa		1.3	
	bar		13	
	psi		188	
Flow rate at 6.3 bar (0.6 MPa to 91 psi) ΔP 0.5 bar (0.05 MPa to 7 psi)	NI/min		860	
	scfm		30.5	
Flow rate at 6.3 bar (0.6 MPa to 91 psi) ΔP 1 bar (0.1 MPa to 14 psi)	NI/min		1200	
	scfm		42.5	
Max temperature at 1 MPa; 10 bar; 145 psi	°C		50	
	°F		122	
Weight	g		40	
Wall fixing screws	M4 by means of the bracket provided			
Bowl capacity	cm ³		16	
Mounting position	Vertical			
Condensate drain	RMSA: drain with manual condensate discharge and automatic discharge at zero pressure SAC: automatic drain with condensate discharge			
	Operates by pressure drop – requires variable air take-offs.			
Fluid	Compressed air			

COMPONENTS

- ① Technopolymer body with OT58 threaded element
- ② Clear technopolymer bowl
- ③ Technopolymer baffle plug
- ④ Technopolymer centrifuge
- ⑤ Condensate drain (RMSA)
- ⑥ HDPE sintered filter cartridge
- ⑦ NBR gaskets



FLOW CHARTS

FIL

$\Delta P = (P_m - P_v)$

psi kPa bar

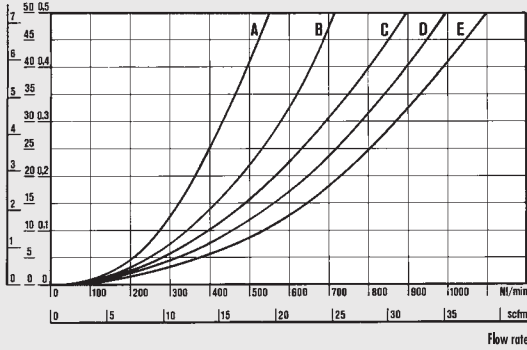
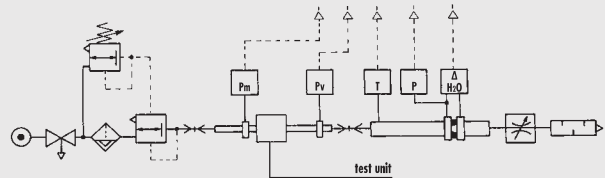


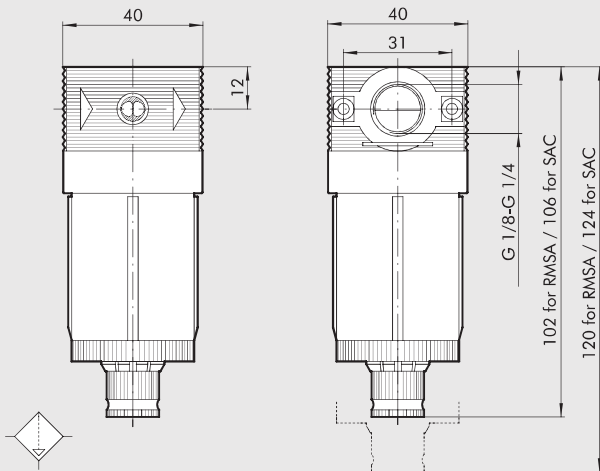
Chart referring to a filter with 1/4 ports



• Flow tests carried out at the Department of Mechanics, Turin Polytechnic, using the computerized test bench following CETOP RP50R recommendations (ISO DIS 6358-2-approved) with ISO 5167 diaphragm gauge.

- (A) = 2 bar - 0.2 MPa - 29 psi
- (B) = 4 bar - 0.4 MPa - 58 psi
- (C) = 6 bar - 0.6 MPa - 87 psi
- (D) = 8 bar - 0.8 MPa - 116 psi
- (E) = 10 bar - 1 MPa - 145 psi

DIMENSIONS



ORDERING CODES

Code	Description
5101001	FIL BIT 1/8 5 RMSA
5101004	FIL BIT 1/8 5 SAC
5101002	FIL BIT 1/8 20 RMSA
5101005	FIL BIT 1/8 20 SAC
5101003	FIL BIT 1/8 50 RMSA
5101006	FIL BIT 1/8 50 SAC
5201001	FIL BIT 1/4 5 RMSA
5201004	FIL BIT 1/4 5 SAC
5201002	FIL BIT 1/4 20 RMSA
5201005	FIL BIT 1/4 20 SAC
5201003	FIL BIT 1/4 50 RMSA
5201006	FIL BIT 1/4 50 SAC

SYNOPTIC, SIZES AND VERSIONS

FIL ELEMENT	BIT SIZE	1/8 THREADED PORT	5 DEGREE OF FILTRATION	RMSA CONDENSATE DRAIN
FIL	BIT	1/8 1/4	5 = 5 μm 20 = 20 μm 50 = 50 μm	RMSA SAC

RMSA: drain with manual condensate discharge and automatic discharge at zero pressure.
SAC: automatic drain with condensate discharge.
Operates by pressure drop – requires variable air take-offs.

UNITS
bit FILTER

bit DEPURATOR

Coalescing mini-depurator

- Space saving
- Minimum load loss as the flow rate varies
- All-round condensate level viewing



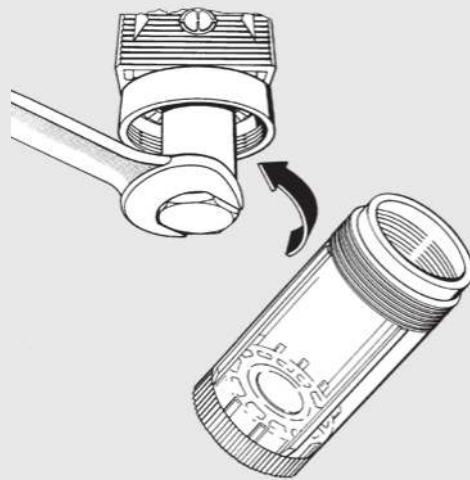
UNITS

bit DEPURATOR

TECHNICAL DATA	DEP BIT 1/8"	DEP BIT 1/4"
Threaded port	1/8"	1/4"
Degree of purification	99.97% 0.01 μm	
Max. inlet pressure	MPa	1.3
	bar	13
	psi	188
Suggested flow at 6 bar	Nl/min	200
	scfm	7
Maximum suggested flow rate	See next page	
Max temperature at 1 MPa; 10 bar; 145 psi	°C	50
	°F	122
Weight	g	65
Wall fixing screws	M4 by means of the bracket provided	
Bowl capacity	cm ³	16
Mounting position	Vertical	
Condensate drain	RMSA: drain with manual condensate discharge and automatic discharge at zero pressure.	
Fluid	Filtered 5 μm compressed air	
Notes	A It is advisable to mount a 5 m filter upstream the depurator acting as a rough filter.	

USE AND MAINTENANCE

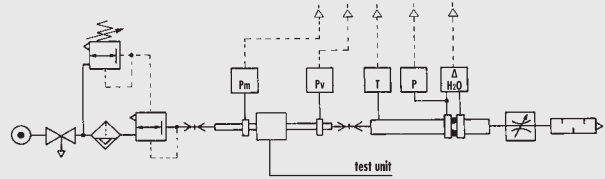
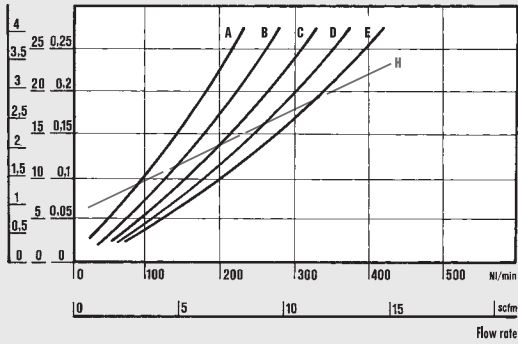
When replacing the coalescing cartridge, unscrew the bowl and then unscrew the screen of the cartridge assembly. Then replace the cartridge. Use a no. 3 compass spanner to unscrew the bowl.



FLOW CHARTS

DEP

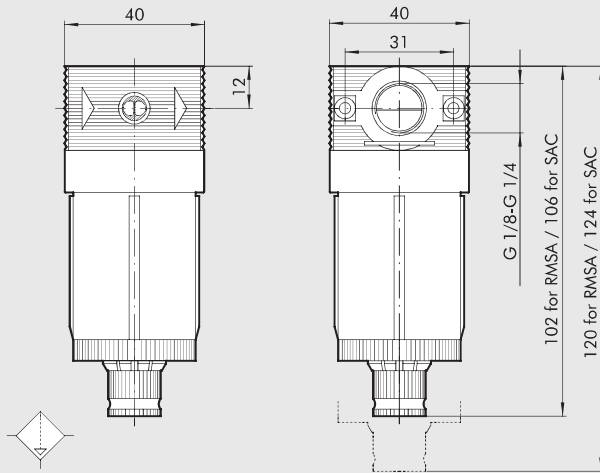
$\Delta P = (P_m - P_v)$
psi kPa bar



• Flow tests carried out at the Department of Mechanics, Turin Polytechnic, using the computerized test bench following CETOP RP50R recommendations (ISO DIS 6358-2-approved) with ISO 5167 diaphragm gauge.

- (A) = 2 bar - 0.2 MPa - 29 psi
- (B) = 4 bar - 0.4 MPa - 58 psi
- (C) = 6 bar - 0.6 MPa - 87 psi
- (D) = 8 bar - 0.8 MPa - 116 psi
- (E) = 10 bar - 1 MPa - 145 psi
- (H) = maximum flow rate recommended for optimal operation

DIMENSIONS



ORDERING CODES

Code	Description
5112001	DEP BIT 1/8 RMSA
5212001	DEP BIT 1/4 RMSA

SYNOPTIC, SIZES AND VERSIONS

DEP ELEMENT	BIT SIZE	1/8 THREADED PORT	RMSA CONDENSATE DRAIN
DEP	BIT	1/8 1/4	RMSA

RMSA: drain with manual condensate discharge and automatic discharge at zero pressure.

UNITS
bit DEPURATOR

bit MICRO-REGULATOR

Micro-regulator with rolling diaphragm.

- Preset pressure stability as the upstream pressure varies.
- High flow rates with reduced pressure drops
- Quick overpressure exhaust

Versions available

bit FC: controlled relief to allow greater accuracy in regulation by means of slight continuous air relief.

bit for water: used to regulate the pressure in water circuits; without blowoff valve

bit SR: for use when the downstream circuit needs to be relieved quickly as the upstream pressure drops. Mount the SR regulator between the power supply valve and the point of use.



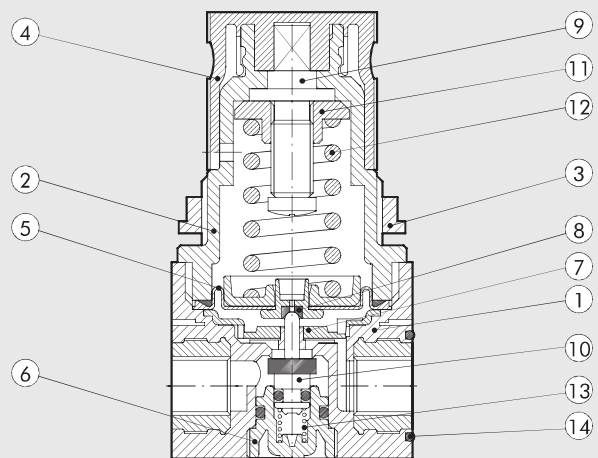
UNITS

bit MICRO-REGULATOR

TECHNICAL DATA	MR BIT 1/8"	MR BIT 1/4"
Threaded port	1/8"	1/4"
Setting range	0 to 2 - 0 to 4 - 0 to 8 - 0 to 12	
Max. inlet pressure	MPa	1.3
	bar	13
	psi	188
Flow rate at 6.3 bar (0.63 MPa to 91 psi) ΔP 0.5 bar (0.05 MPa to 7 psi)	Nl/min	340
	scfm	12
Flow rate at 6.3 bar (0.63 MPa to 91 psi) ΔP 1 bar (0.1 MPa to 14 psi)	Nl/min	600
	scfm	21
Max temperature at 1 MPa; 10 bar; 145 psi	°C	50
	°F	122
Weight	g	80
Wall fixing screws	M4 by means of the bracket provided	
Gauge port	G 1/8"	
Mounting position	In any position	
Fluid	Filtered, lubricated or unlubricated compressed air. Lubrication, if used, must be continuous.	
Notes	The regulator pressure must always be set upwards. For increased sensitivity, use a pressure regulator with a rated pressure as close as possible to the required value.	

COMPONENTS

- 1 Technopolymer body with OT58 threaded element
- 2 Technopolymer bell
- 3 Technopolymer fixing ring nut
- 4 Technopolymer knob
- 5 Rolling diaphragm
- 6 Technopolymer plug
- 7 Technopolymer anti-vibration screen
- 8 NBR relieving gasket
- 9 OT58 brass adjusting screws
- 10 OT58 valve with NBR vulcanized gasket
- 11 OT58 brass nut
- 12 Steel adjusting spring
- 13 Stainless steel valve compression spring
- 14 NBR gaskets



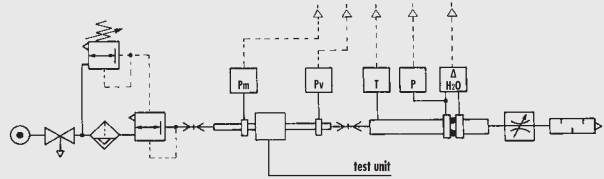
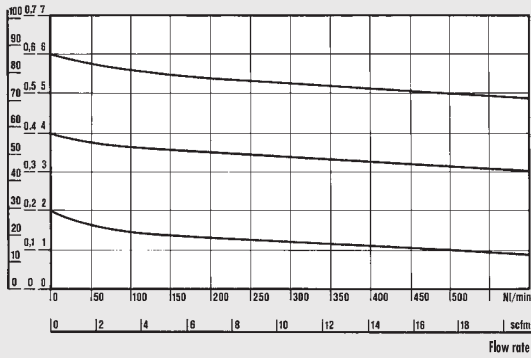
FLOW CHARTS

MR

$P_m = 0.7 \text{ MPa}; 7 \text{ bar}; 102 \text{ psi}$

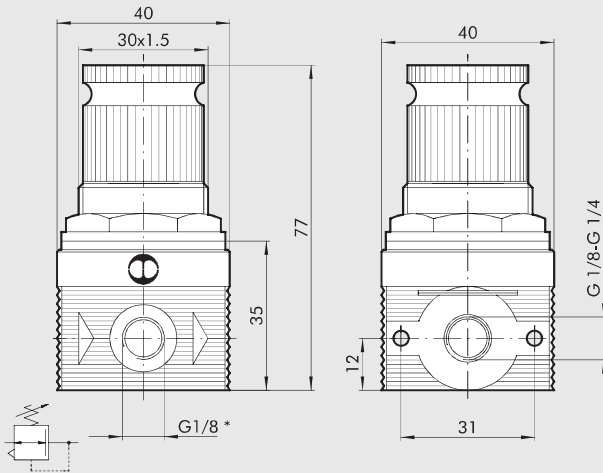
Inlet pressure

psi kPa bar



• Flow tests carried out at the Department of Mechanics, Turin Polytechnic, using the computerized test bench following CETOP RP50R recommendations (ISO DIS 6358-2-approved) with ISO 5167 diaphragm gauge.

DIMENSIONS



* Pressure gauge port

SYNOPTIC, SIZES AND VERSIONS

MR ELEMENT	BIT SIZE	FC VERSION	1/8 THREADED PORT	02 CONDENSATE DRAIN
MR	BIT	FC = Controlled relief SR = Quickly relieved = Standard	1/8" 1/4"	02 = 0 to 2 bar 04 = 0 to 4 bar 08 = 0 to 8 bar 012 = 0 to 12 bar
MRA		Without relief (for WATER)		

ORDERING CODES

Code	Description
MICROREGULATOR (MR)	
5107004	MR BIT 1/8 012
5107001	MR BIT 1/8 02
5107002	MR BIT 1/8 04
5107003	MR BIT 1/8 08
5207004	MR BIT 1/4 012
5207001	MR BIT 1/4 02
5207002	MR BIT 1/4 04
5207003	MR BIT 1/4 08
MICROREGULATOR WITH CONTROLLED RELIEF	
5111001	MR BIT FC 1/8 02
5111002	MR BIT FC 1/8 04
5211001	MR BIT FC 1/4 02
5211002	MR BIT FC 1/4 04
MICROREGULATOR WITH QUICK RELIEF	
5102001	MR BIT SR 1/8 02
5102002	MR BIT SR 1/8 04
5102003	MR BIT SR 1/8 08
5102004	MR BIT SR 1/8 012
5202001	MR BIT SR 1/4 02
5202002	MR BIT SR 1/4 04
5202003	MR BIT SR 1/4 08
5202004	MR BIT SR 1/4 012
WATER MICROREGULATOR	
5108001	MRA BIT 1/8 02
5108002	MRA BIT 1/8 04
5108003	MRA BIT 1/8 08
5108004	MRA BIT 1/8 012
5208001	MRA BIT 1/4 02
5208002	MRA BIT 1/4 04
5208003	MRA BIT 1/4 08
5208004	MRA BIT 1/4 012

UNITS

bit MICRO-REGULATOR

bit PADLOCKABLE MICROREGULATOR

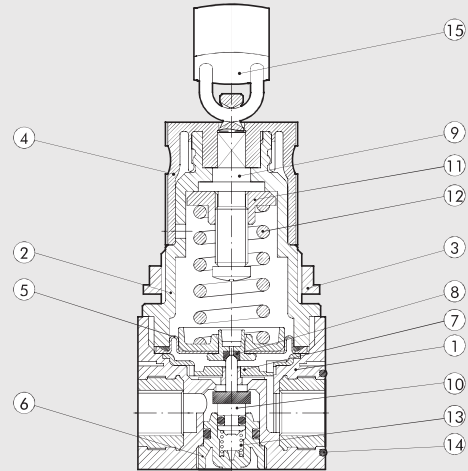
The padlockable microregulator has a pin with a hole in it that projects from the top of the knob. When the knob is in the push-lock position, the padlock can be inserted in the hole, preventing the knob from being operated. A padlock and two keys are supplied with the regulator.

Refer to the bit microregulator for technical data and flow curves.

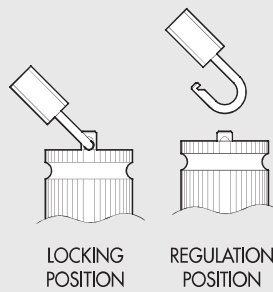
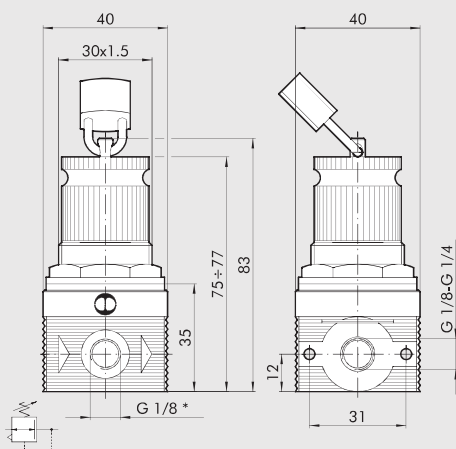


COMPONENTS

- ① Technopolymer body with OT58 threaded element
- ② Technopolymer bell
- ③ Technopolymer fixing ring nut
- ④ Technopolymer knob
- ⑤ Rolling diaphragm
- ⑥ Technopolymer plug
- ⑦ Technopolymer anti-vibration screen
- ⑧ NBR relieving gasket
- ⑨ Nickel-plated brass OT58 adjusting screws
- ⑩ OT58 valve with NBR vulcanized gasket
- ⑪ OT58 brass nut
- ⑫ Steel adjusting spring
- ⑬ Stainless steel valve compression spring
- ⑭ NBR gaskets
- ⑮ Padlock



DIMENSIONS



* Pressure gauge port

ORDERING CODES

Code	Description
5110001	MR BIT KEY 1/8 02
5110002	MR BIT KEY 1/8 04
5110003	MR BIT KEY 1/8 08
5110004	MR BIT KEY 1/8 012
5210001	MR BIT KEY 1/4 02
5210002	MR BIT KEY 1/4 04
5210003	MR BIT KEY 1/4 08
5210004	MR BIT KEY 1/4 012

SYNOPTIC, SIZES AND VERSIONS

MR ELEMENT	BIT SIZE	KEY TYPE	1/8 THREADED PORT	02 SETTING RANGE
MR	BIT	Padlockable	1/8 1/4	02 = 0 to 2 bar 04 = 0 to 4 bar 08 = 0 to 8 bar 012 = 0 to 12 bar

UNITS

bit PADLOCKABLE MICROREGULATOR

bit FILTER-REGULATOR

Filter regulator with rolling diaphragm.

- High flow rate with reduced pressure drop
- Excellent degree of condensate separation
- Semi-automatic or automatic drain
- All-round condensate level viewing

The degree of filtration is shown by the colour of the cartridge:
yellow = 5 μ m, white = 20 μ m, blue = 50 μ m.



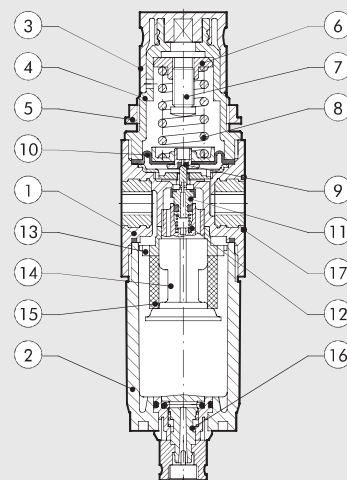
TECHNICAL DATA	FR BIT 1/8"	FR BIT 1/4"
Threaded port	1/8"	1/4"
Setting range	0 to 2 - 0 to 4 - 0 to 8 - 0 to 12	
Degree of filtration	5 (yellow) - 20 (white) - 50 (blue)	
Max. inlet pressure	1.3	
	bar	
	13	
	psi	
	188	
Flow rate at 6.3 bar (0.63 MPa to 91 psi) Δ P 0.5 bar (0.05 MPa to 7 psi)	290	
	NL/min	
	10	
	scfm	
Flow rate at 6.3 bar (0.63 MPa to 91 psi) Δ P 1 bar (0.1 MPa to 14 psi)	600	
	NL/min	
	21	
	scfm	
Max temperature at 1 MPa; 10 bar; 145 psi	50	
	$^{\circ}$ C	
	122	
	$^{\circ}$ F	
Weight	110	
	g	
Wall fixing screws	M4 by means of the bracket provided	
Bowl capacity	16	
	cm ³	
Mounting position	Vertical	
Gauge port	G 1/8"	
Condensate drain	RMSA: drain with manual condensate discharge and automatic discharge at zero pressure SAC: automatic drain with condensate discharge .	
	Operates by pressure drop – requires variable air take-offs.	
	Compressed air	
	The regulator pressure must always be set upwards.	
	For increased sensitivity, use a pressure regulator with a rated pressure as close as possible to the required value.	

UNITS

bit FILTER-REGULATOR

COMPONENTS

- ① Technopolymer body with OT58 threaded element
- ② Clear technopolymer bowl
- ③ Technopolymer knob
- ④ Technopolymer bell
- ⑤ Technopolymer fixing ring nut
- ⑥ OT58 brass nut
- ⑦ OT58 brass adjusting screw
- ⑧ Steel adjusting spring
- ⑨ NBR relieving gasket
- ⑩ Rolling diaphragm
- ⑪ OT58 valve with NBR vulcanized gasket
- ⑫ Stainless steel valve compression spring
- ⑬ Technopolymer centrifuge
- ⑭ Technopolymer baffle plug
- ⑮ HDPE sintered filter cartridge
- ⑯ Condensate drain (RMSA)
- ⑰ NBR gaskets



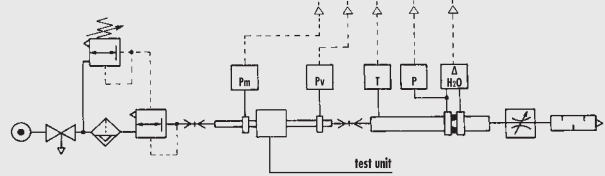
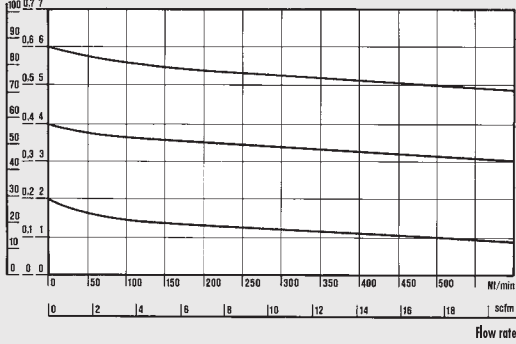
FLOW CHARTS

FR

Pm = 0.7 MPa; 7 bar; 102 psi

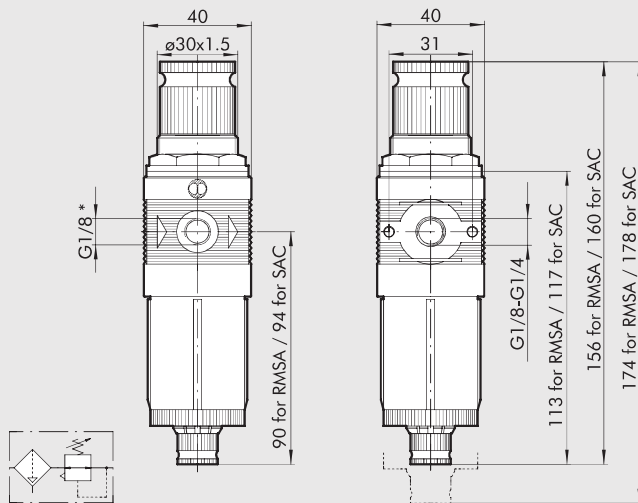
Inlet pressure

psi kPa bar



• Flow tests carried out at the Department of Mechanics, Turin Polytechnic, using the computerized test bench following CETOP RP50R recommendations (ISO DIS 6358-2-approved) with ISO 5167 diaphragm gauge.

DIMENSIONS



* Pressure gauge port

SYNOPTIC, SIZES AND VERSIONS

FR ELEMENT	BIT SIZE	1/8 THREADED PORT	5 DEGREE OF FILTRATION	02 SETTING RANGE	RMSA CONDENSATE DRAIN
FR	BIT	1/8 1/4	5 = 5 μm 20 = 20 μm 50 = 50 μm	02 = 0 to 2 bar 04 = 0 to 4 bar 08 = 0 to 8 bar 012 = 0 to 12 bar	RMSA SAC

RMSA: drain with manual condensate discharge and automatic discharge at zero pressure

SAC: automatic drain with condensate discharge .

Operates by pressure drop – requires variable air take-offs.

ORDERING CODES

Code	Description
5105001	FR BIT 1/8 5 02 RMSA
5105013	FR BIT 1/8 5 02 SAC
5105002	FR BIT 1/8 20 02 RMSA
5105014	FR BIT 1/8 20 02 SAC
5105003	FR BIT 1/8 50 02 RMSA
5105015	FR BIT 1/8 50 02 SAC
5105004	FR BIT 1/8 5 04 RMSA
5105016	FR BIT 1/8 5 04 SAC
5105005	FR BIT 1/8 20 04 RMSA
5105017	FR BIT 1/8 20 04 SAC
5105006	FR BIT 1/8 50 04 RMSA
5105018	FR BIT 1/8 50 04 SAC
5105007	FR BIT 1/8 5 08 RMSA
5105019	FR BIT 1/8 5 08 SAC
5105008	FR BIT 1/8 20 08 RMSA
5105020	FR BIT 1/8 20 08 SAC
5105009	FR BIT 1/8 50 08 RMSA
5105021	FR BIT 1/8 50 08 SAC
5105010	FR BIT 1/8 5 012 RMSA
5105022	FR BIT 1/8 5 012 SAC
5105011	FR BIT 1/8 20 012 RMSA
5105023	FR BIT 1/8 20 012 SAC
5105012	FR BIT 1/8 50 012 RMSA
5105024	FR BIT 1/8 50 012 SAC
5205001	FR BIT 1/4 5 02 RMSA
5205013	FR BIT 1/4 5 02 SAC
5205002	FR BIT 1/4 20 02 RMSA
5205014	FR BIT 1/4 20 02 SAC
5205003	FR BIT 1/4 50 02 RMSA
5205015	FR BIT 1/4 50 02 SAC
5205004	FR BIT 1/4 5 04 RMSA
5205016	FR BIT 1/4 5 04 SAC
5205005	FR BIT 1/4 20 04 RMSA
5205017	FR BIT 1/4 20 04 SAC
5205006	FR BIT 1/4 50 04 RMSA
5205018	FR BIT 1/4 50 04 SAC
5205007	FR BIT 1/4 5 08 RMSA
5205019	FR BIT 1/4 5 08 SAC
5205008	FR BIT 1/4 20 08 RMSA
5205020	FR BIT 1/4 20 08 SAC
5205009	FR BIT 1/4 50 08 RMSA
5205021	FR BIT 1/4 50 08 SAC
5205010	FR BIT 1/4 5 012 RMSA
5205022	FR BIT 1/4 5 012 SAC
5205011	FR BIT 1/4 20 012 RMSA
5205023	FR BIT 1/4 20 012 SAC
5205012	FR BIT 1/4 50 012 RMSA
5205024	FR BIT 1/4 50 012 SAC

UNITS

bit FILTER-REGULATOR

bit LUBRICATOR

- Mini-lubricator with high lubrication stability.
- Quantity of lubricant proportioned to air flow
 - Activates at low flow rates
 - Micrometric regulation of lubricant flow
 - All-round oil level viewing



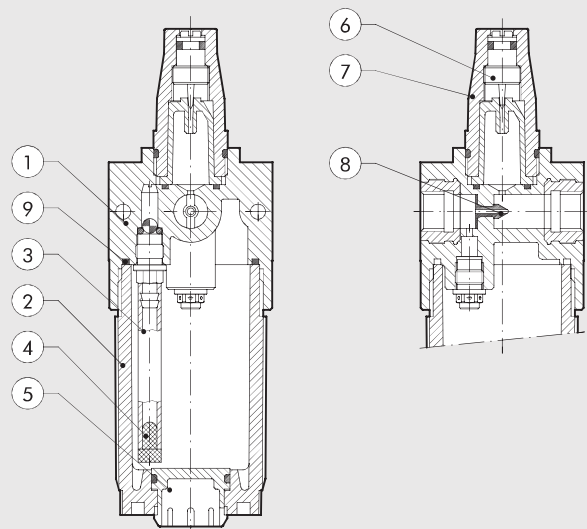
TECHNICAL DATA	LUB BIT 1/8"		LUB BIT 1/4"	
	1/8"		1/4"	
Threaded port				
Type of lubrication			Oil mist	
Bowl capacity		cm ³	26.5	
Lubricator version			Manual filling with the bowl disassembled	
Max. inlet pressure		MPa	1.3	
		bar	13	
		psi	188	
Flow rate at 6.3 bar (0.63 MPa to 91 psi) ΔP 0.5 bar (0.05 MPa to 7 psi)		Nl/min	400	
		scfm	14	
Flow rate at 6.3 bar (0.63 MPa to 91 psi) ΔP 1 bar (0.1 MPa to 14 psi)		Nl/min	710	
		scfm	25	
Max temperature at 1 MPa; 10 bar; 145 psi		°C	50	
		°F	122	
Weight		g	40	
Wall fixing screws			M4 by means of the bracket provided	
Mounting position			Vertical	
Fluid			Filtered compressed air	

UNITS

bit LUBRICATOR

COMPONENTS

- ① Technopolymer body with OT58 threaded elements
- ② Clear technopolymer bowl
- ③ Rilsan oil suction pipe
- ④ Filter
- ⑤ Technopolymer plug
- ⑥ Oil flow adjustment regulation needle made of OT58 brass
- ⑦ Clear technopolymer cover
- ⑧ NBR Venturi diaphragm
- ⑨ NBR gaskets

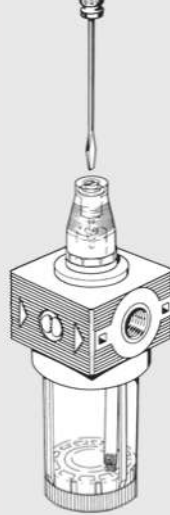


GENERAL RULES - USE AND MAINTENANCE

Use a no. 3 compass spanner to unscrew the bowl.

- Fit the lubricator as close as possible to the point of use
- Fill the bowl with oil before pressurizing the system
- Do not use cleaning oil, brake fluid or solvents in general
- For correct lubrication, set the drip rate to approximately 1 drop every 300-600 NI via the adjusting screw.
- Recommended lubricants:
ISO and UNI FD22
E.g. Energol HLP 22 (BP) – Spinesso 22 (Esso)
- Mobil DTE 22 (Mobil) – Tellus Oil 22 (Shell).

REGULATING LUBRICATION



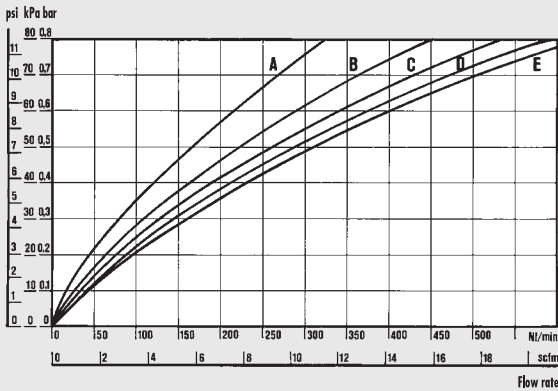
FILLING THE BOWL WITH OIL



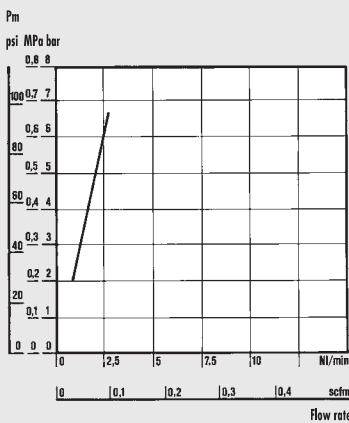
FLOW CHARTS

LUB

$\Delta P = (P_m - P_v)$

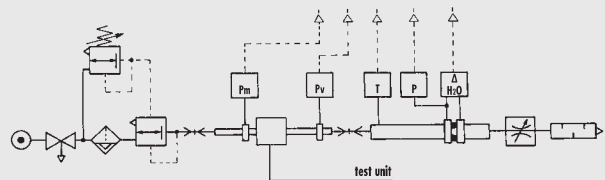


LUB 1/8-1/4



MINIMUM OPERATION FLOW CHARTS

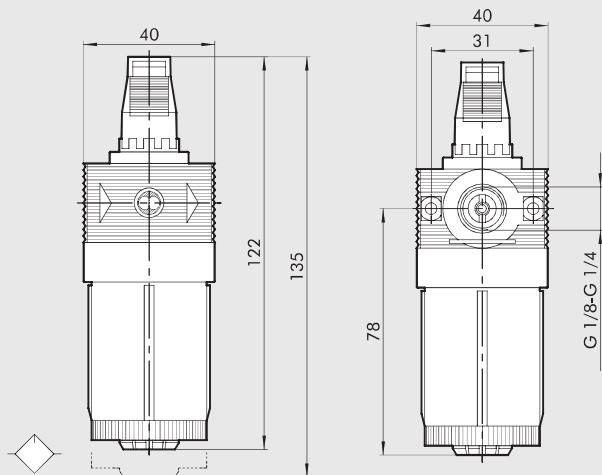
Minimum flow tests were performed in compliance with ISO/DP 6301/2.



• Flow tests carried out at the Department of Mechanics, Turin Polytechnic, using the computerized test bench following CETOP RP50R recommendations (ISO DIS 6358-2-approved) with ISO 5167 diaphragm gauge.

- (A) = 2 bar - 0.2 MPa - 29 psi
- (B) = 4 bar - 0.4 MPa - 58 psi
- (C) = 6 bar - 0.6 MPa - 87 psi
- (D) = 8 bar - 0.8 MPa - 116 psi
- (E) = 10 bar - 1 MPa - 145 psi

DIMENSIONS



ORDERING CODES

Code	Description
5103001	LUB BIT 1/8
5203001	LUB BIT 1/4

NOTES

UNITS

bit LUBRICATOR

bit TAKE-OFF

- The air take-off takes air from the FRL unit irrespective of the assembly position.
- It is necessary when air needs to be taken from the FRL unit at any stage of the treatment (normal, filtered, regulated, lubricated, etc.).



TECHNICAL DATA

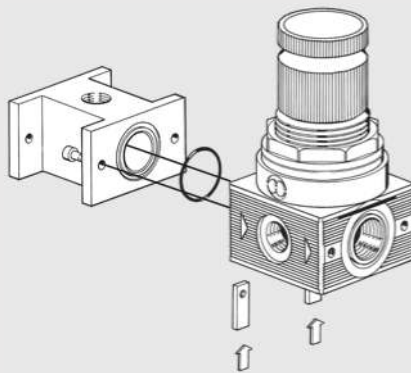
TECHNICAL DATA		PA
Maximum operating pressure	MPa	1.3
	bar	13
	psi	188
Maximum working temperature at 1 MPa; 10 bar; 145 psi	°C	50
	°F	

UNITS

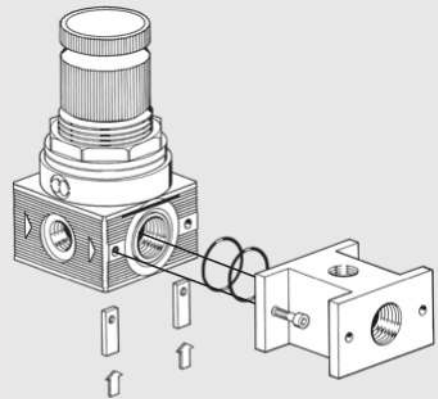
bit TAKE-OFF

CONNECTION DIAGRAMS AND APPLICATION

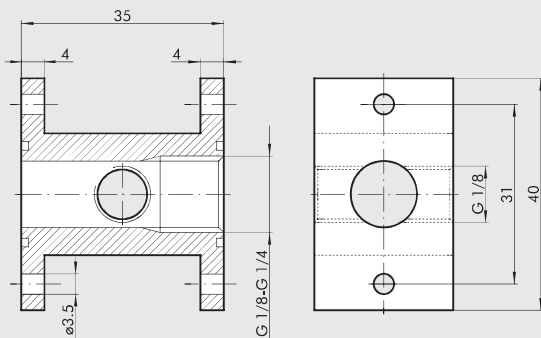
Mounting the air take-off at the inlet:
only use two screws and the O-rings supplied in the PA kit.



Mounting the air take-off at the outlet:
only use two screws and the O-rings supplied in the PA kit. Seal is provided by the contact between O-rings.



DIMENSIONS



ORDERING CODES

Code	Description
9100401	PA 1/8 - 1/4 BIT

FIL + REG + LUB bit

- Complete mini-FRL unit with rolling diaphragm.
- High flow rates with reduced pressure drop
 - Excellent degree of condensate separation
 - Quantity of lubricant proportioned to air flow
 - Activates at low flow rates

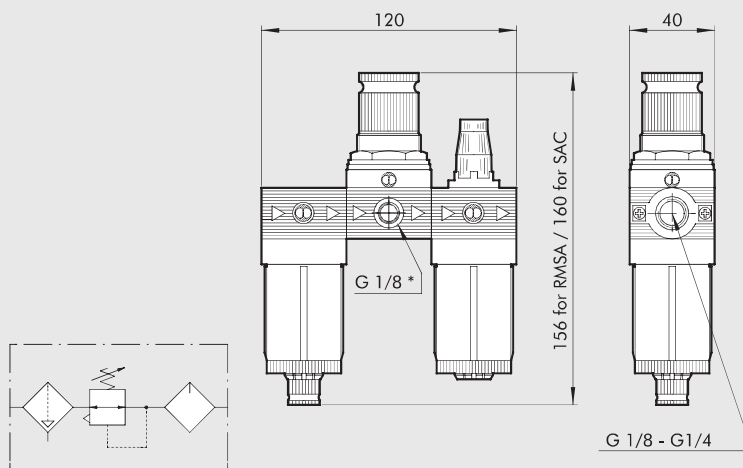


TECHNICAL DATA	F + R + L BIT 1/8"	F + R + L BIT 1/4"
Threaded port	1/8"	1/4"
Setting range	0 to 2 - 0 to 4 - 0 to 8 - 0 to 12	
Degree of filtration	5 (yellow) 20 (white) 50 (blue)	
Type of lubrication	Oil mist	
Max. inlet pressure	MPa	1.3
	bar	13
	psi	188
Flow rate at 6.3 bar (0.63 MPa to 91 psi) ΔP 0.5 bar (0.05 MPa to 7 psi)	Nl/min	150
	scfm	5.3
Flow rate at 6.3 bar (0.63 MPa to 91 psi) ΔP 1 bar (0.1 MPa to 14 psi)	Nl/min	280
	scfm	10
Max temperature at 1 MPa; 10 bar; 145 psi	°C	50
	°F	122
Weight	g	160
Wall fixing screws	M4 by means of the bracket provided	
Gauge port	G1/8"	
Mounting position	Vertical	
Condensate drain	RMSA: drain with manual condensate discharge and automatic discharge at zero pressure SAC: automatic drain with condensate discharge.	
Fluid	Operates by pressure drop – requires variable air take-offs. Compressed air	
Notes	See chapters regarding individual elements.	

UNITS

FIL + REG + LUB bit

DIMENSIONS



* Pressure gauge port

SYNOPTIC, SIZES AND VERSIONS

FRL ELEMENT	BIT SIZE	1/8 THREADED PORT	5 DEGREE OF FILTRATION	02 SETTING RANGE	RMSA CONDENSATE DRAIN
FRL	BIT	1/8 1/4	5 = 5 μm 20 = 20 μm 50 = 50 μm	02 = 0 to 2 bar 04 = 0 to 4 bar 08 = 0 to 8 bar 012 = 0 to 12 bar	RMSA SAC

RMSA: drain with manual condensate discharge and automatic discharge at zero pressure

SAC: automatic drain with condensate discharge.

Operates by pressure drop – requires variable air take-offs.

ORDERING CODES

Code	Description
5104008	FRL BIT 1/8 20 08 RMSA
5104011	FRL BIT 1/8 20 012 RMSA
5204008	FRL BIT 1/4 20 08 RMSA
5204011	FRL BIT 1/4 20 012 RMSA

The following versions are available on request:

- with 5 μm or 50 μm degree of filtration
- with 0-2 bar or 0-4 bar setting range
- with SAC condensate discharge

NOTES

UNITS

FIL + REG + LUB bit

FR + LUB bit

- Compact FR + L unit with rolling diaphragm.
- High flow rates with reduced pressure drop
 - Excellent degree of condensate separation
 - Quantity of lubricant proportioned to air flow
 - Activates at low flow rates

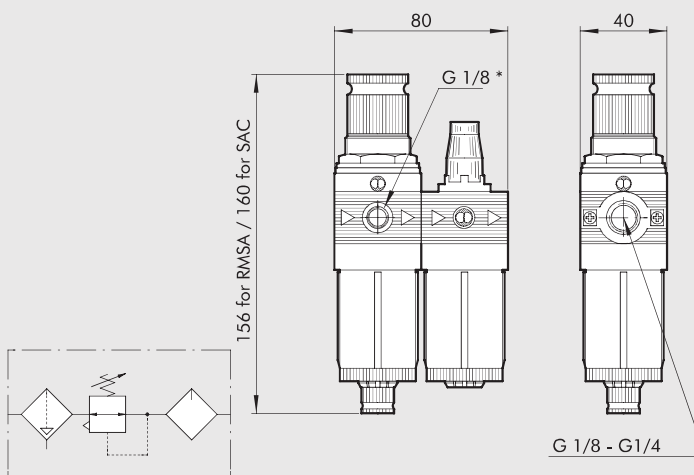


TECHNICAL DATA	FR + L BIT 1/8"	FR + L BIT 1/4"
Threaded port	1/8"	1/4"
Setting range	0 to 2 - 0 to 4 - 0 to 8 - 0 to 12	
Degree of filtration	5 (yellow) 20 (white) 50 (blue)	
Type of lubrication	Oil mist	
Max. inlet pressure	MPa	1.3
	bar	13
	psi	188
Flow rate at 6.3 bar (0.63 MPa to 91 psi) ΔP 0.5 bar (0.05 MPa to 7 psi)	Nl/min	140
	scfm	5
Flow rate at 6.3 bar (0.63 MPa to 91 psi) ΔP 1 bar (0.1 MPa to 14 psi)	Nl/min	260
	scfm	9.2
Max temperature at 1 MPa; 10 bar; 145 psi	°C	50
	°F	122
Weight	g	170
Wall fixing screws	M4 by means of the bracket provided	
Gauge port	G1/8"	
Mounting position	Vertical	
Condensate drain	RMSA: drain with manual condensate discharge and automatic discharge at zero pressure SAC: automatic drain with condensate discharge.	
Fluid	Operates by pressure drop – requires variable air take-offs.	
Notes	Compressed air See chapters regarding individual elements.	

UNITS

FR + LUB bit

DIMENSIONS



* Pressure gauge port

SYNOPTIC, SIZES AND VERSIONS

FR+L ELEMENT	BIT SIZE	1/8 THREADED PORT	5 DEGREE OF FILTRATION	02 SETTING RANGE	RMSA CONDENSATE DRAIN
FR+L	BIT	1/8 1/4	5 = 5 μm 20 = 20 μm 50 = 50 μm	02 = 0 to 2 bar 04 = 0 to 4 bar 08 = 0 to 8 bar 012 = 0 to 12 bar	RMSA SAC

ORDERING CODES

Code	Description
5106008	FR+L BIT 1/8 20 08 RMSA
5106011	FR+L BIT 1/8 20 012 RMSA
5206008	FR+L BIT 1/4 20 08 RMSA
5206011	FR+L BIT 1/4 20 012 RMSA

The following versions are available on request:
 - with 5 μm or 50 μm degree of filtration
 - with 0-2 bar or 0-4 bar setting range
 - with SAC condensate discharge

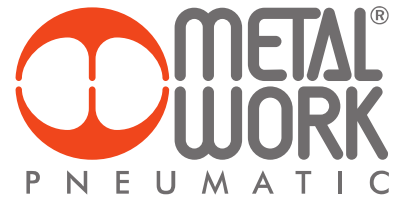
RMSA: drain with manual condensate discharge and automatic discharge at zero pressure
 SAC: automatic drain with condensate discharge.
Operates by pressure drop – requires variable air take-offs.

NOTES

UNITS

FR + LUB bit

FIL + DEP bit



Compact filter + depurator unit for fine filtering followed by purification by coalescence.

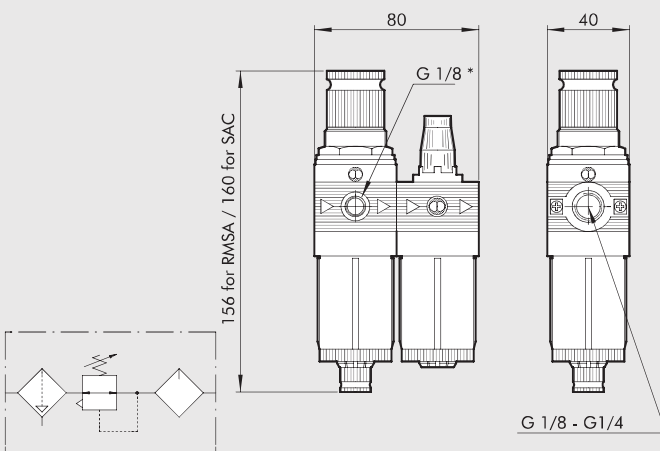
- All-round condensate level viewing
- Condensate drainage - manual/semi-auto (RMSA) or automatic (SAC) on the filter
- 5 μm filter element.



TECHNICAL DATA

	F + D BIT 1/8"	F + D BIT 1/4"
Threaded port	1/8"	1/4"
Degree of purification	5 μm filter – 99.97% depurator at 0.01 μm	
Max. inlet pressure	MPa bar psi	1.3 13 188
Maximum suggested flow rate	Please look at the flow rate curves at page C2.7	
Fluid	Compressed air	
Max temperature at 1 MPa; 10 bar; 145 psi	°C °F	50 122
Weight	g	110
Wall fixing screws	M4 by means of the bracket provided	
Mounting position	Vertical	
Condensate drain	RMSA: drain with manual condensate discharge and automatic discharge at zero pressure SAC: automatic drain with condensate discharge.	
Notes	Operates by pressure drop – requires variable air take-offs. See chapters regarding individual elements	

DIMENSIONS



SYNOPTIC, SIZES AND VERSIONS

F+D ELEMENT	BIT SIZE	1/4 THREADED PORT	5 DEGREE OF FILTRATION	RMSA CONDENSATE DRAIN
F+D	BIT	1/8 1/4	5 μm	RMSA SAC

RMSA: drain with manual condensate discharge and automatic discharge at zero pressure
SAC: automatic drain with condensate discharge.
Operates by pressure drop – requires variable air take-offs.

ORDERING CODES

Code	Description
5114001	F+D BIT 1/8 5 RMSA - RMSA
5114002	F+D BIT 1/8 5 SAC - RMSA
5214001	F+D BIT 1/4 5 RMSA - RMSA
5214002	F+D BIT 1/4 5 SAC - RMSA

UNITS

FIL + DEP bit

FIL + LUB bit

Compact filter + lubricator unit with different degrees of filtration and high lubrication stability.

- Excellent degree of condensate separation
- Semi-automatic and automatic condensate drainage
- Lubrication activates at low flow rates
- All-round oil and condensate level viewing



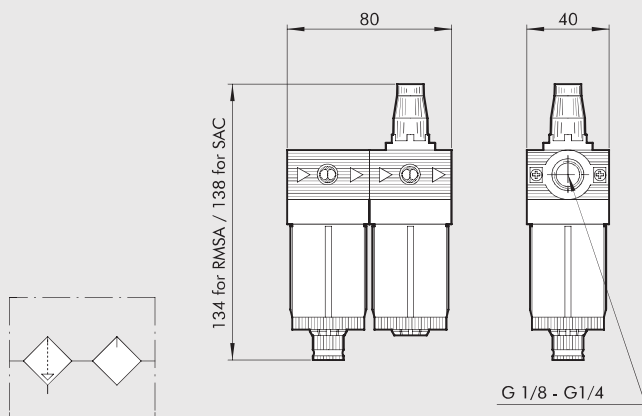
UNITS

FIL + LUB bit

TECHNICAL DATA

TECHNICAL DATA	F + L BIT 1/8"		F + L BIT 1/4"	
	1/8"	1/4"	1/8"	1/4"
Threaded port	1/8"		1/4"	
Degree of filtration	5 (yellow) - 20 (white) - 50 (blue)			
Max. inlet pressure	MPa	1.3	bar	13
	psi	188		
Flow rate at 6 bar (0.6 MPa to 87 psi) ΔP 0.5 bar (0.05 MPa to 7 psi)	Nl/min	300	scfm	10.6
Flow rate at 6 bar (0.6 MPa to 87 psi) ΔP 1 bar (0.1 MPa to 14 psi)	Nl/min	600	scfm	21.2
Fluid	Compressed air			
Max temperature at 1 MPa; 10 bar; 145 psi	°C	50	°F	122
Weight	g	90		
Wall fixing screws	M4 by means of the bracket provided			
Mounting position	Vertical			
Condensed drain	RMSA: drain with manual condensate discharge and automatic discharge at zero pressure SAC: automatic drain with condensate discharge.			
Notes	Operates by pressure drop – requires variable air take-offs. See chapters regarding individual elements			

DIMENSIONS



SYNOPTIC, SIZES AND VERSIONS

F+L ELEMENT	BIT SIZE	1/4 THREADED PORT	5 DEGREE OF FILTRATION	RMSA CONDENSATE DRAIN
F+L	BIT	1/8 1/4	5 = 5 μm 20 = 20 μm 50 = 50 μm	RMSA SAC

RMSA: drain with manual condensate discharge and automatic discharge at zero pressure

SAC: automatic drain with condensate discharge.

Operates by pressure drop – requires variable air take-offs.

ORDERING CODES

Code Description

5113002 F+L BIT 1/8 20 RMSA

5213002 F+L BIT 1/4 20 RMSA

The following versions are available on request:

- with 5 μm or 50 μm degree of filtration

- with SAC

GENERAL TECHNICAL DATA bit SERIES F FOR WATER

Filtering and/or water pressure regulation units, characterized by the use of materials certified to specific standards on products for use in contact with foodstuff or drinking water.

Declarations of conformity and release test reports are available on request for those who need them to certify our product incorporated in their own systems.

The white colour surface finish of the body was chosen to enhance the highly hygienic properties of the product.

If the pressure regulator works with incompressible fluids (water) and there is a valve leak, the downstream pressure could rise up to reach the inlet pressure and then it re-stabilizes with water consumption.

If necessary, consider the possibility of installing a safety valve that relieves any excess pressure.

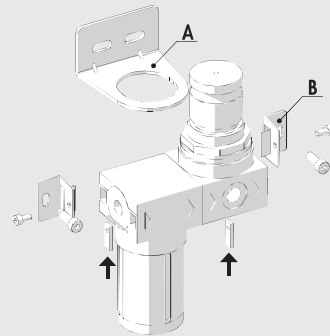


TECHNICAL DATA	BIT F 1/8"	BIT F 1/4"
Threaded port	1/8"	1/4"
Max. inlet pressure		
	MPa	1.3
	bar	13
	psi	188
Max temperature at 10 bar (1 MPa; 145 psi)		
	°C	50
	°F	122
Elements	Filter - Regulator - Filter regulator	
Mounting	Fixed to a wall, using fixing plate code 9170301 and M4 screws, or fixing bracket code 9200701 for the threaded regulator and filter-regulator bell.	
Fluid	Panel-mounted using the threaded bell of the regulator or filter-regulator (Ø hole 30-32 mm). Water, air and fluids compatible with the materials used	

WALL MOUNTING

The wall fixing of a bit unit can be made through:

- Fixing bracket R/FR code 9200701 (A)
- Wall fixing plates code 9170301 (B)



MATERIALS

COMPONENTS IN CONTACT WITH THE FLUID

Designation	Material	Certifications
Body	Hostaform® C13031	European Regulation (EU) 10/2011, KTW, W270, WRAS, ACS, NSF61
Threaded body inserts	CW510L low-lead brass	Approved for compliance with the UBA List, NSF/ANSI 372
Transparent bowl	TR90 Grilamid®	European Regulation (EU) 10/2011, KTW, W270, WRAS, NSF61
Rolling diaphragm	0477 NBR 70 telato	DM174/04, KTW, W270, WRAS, ACS, NSF61
Valve	AISI 303 stainless steel with vulcanized gasket 0477 NBR 70	Approved for compliance with the UBA List DM174/04, KTW, W270, WRAS, ACS, NSF61
Valve spring	AISI 302 stainless steel	Approved for compliance with the UBA List
Gaskets	0477 NBR 70	DM174/04, KTW, W270, WRAS, ACS, NSF61
Filter cartridge	GUR X192	European Regulation (EU) 10/2011,
Centrifuge	Hostaform® C13031	European Regulation (EU) 10/2011, KTW, W270, WRAS, ACS, NSF61
Baffle plug	Hostaform® C13031	European Regulation (EU) 10/2011, KTW, W270, WRAS, ACS, NSF61

COMPONENTS NOT IN CONTACT WITH THE FLUID

Designation	Material
Bell	Technopolymer
Fixing ring nut	Technopolymer
Nut	OT58 brass
Adjusting screw	OT58 brass
Adjusting spring	OT58 brass

bit SERIES F FILTER FOR WATER

Water filter characterized by the use of materials certified to specific standards on products for use in contact with foodstuff or drinking water. Declarations of conformity and release test reports are available on request for those who need them to certify our product incorporated in their own systems.

The white colour surface finish of the body was chosen to enhance the highly hygienic properties of the product.

The transparent bowl was designed to make it possible to check the state of the filter cartridge.

Unlike compressed air filters, the bowl has no drain holes.

The cartridge filtration degree is 20 µm.



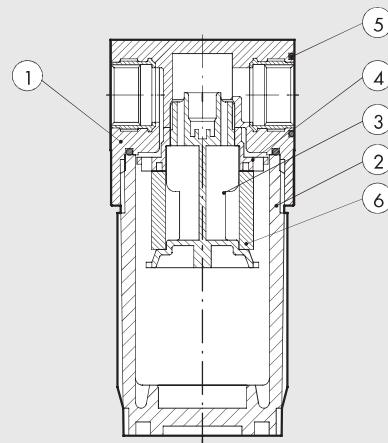
UNITS

bit SERIES F FILTER FOR WATER

TECHNICAL DATA		FIL BIT F 1/8"	FIL BIT F 1/4"
Threaded port		1/8"	1/4"
Degree of filtration	µm	20 (white)	
Max. inlet pressure	MPa	1.3	
	bar	13	
	psi	188	
Flow rate at 6.3 bar (0.63 MPa ÷ 91 psi) ΔP 1 bar (0.1 MPa; 14 psi)	l/min	13	14.5
	cfm	0.46	0.51
Max temperature at 10 bar (1 MPa; 145 psi)	°C	50	
	°F	122	
Weight	g	40	
Internal volume	cm ³	40	
Mounting position		In any position	
Fluid		Water, air and fluids compatible with the materials used	

COMPONENTS

- ① Body with threaded inserts
- ② Transparent bowl
- ③ Baffle plug
- ④ Centrifuge
- ⑤ Gaskets
- ⑥ Filter cartridge

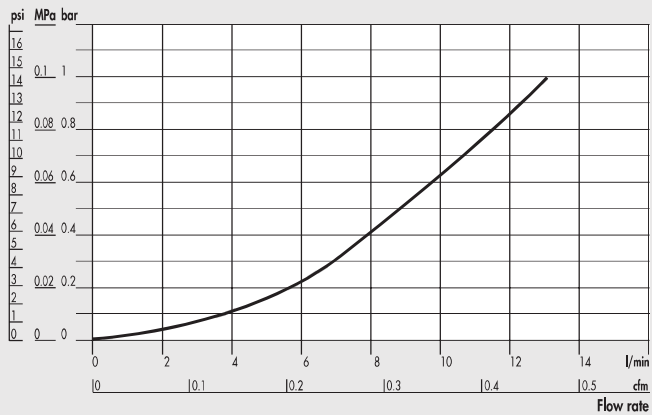


N.B.: For details on the materials used, please refer to the section "general technical data".

FLOW CHARTS

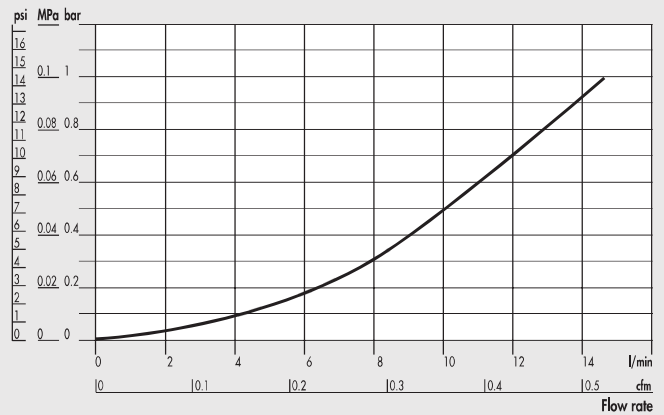
FIL BIT F 1/8"

$\Delta P = (P \text{ In-P Out})$

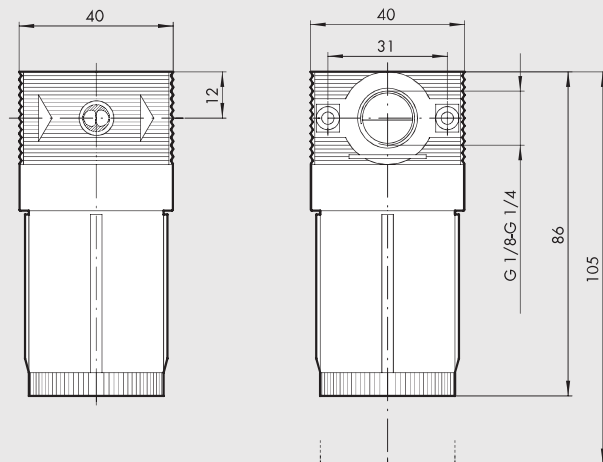


FIL BIT F 1/4"

$\Delta P = (P \text{ In-P Out})$



DIMENSIONS



ORDERING CODES

Code	Description
5101002F	FIL BIT F 1/8 20
5201002F	FIL BIT F 1/4 20

NOTES

bit SERIES F REGULATOR FOR WATER

Water regulator characterized by the use of materials certified to specific standards on products for use in contact with foodstuff or drinking water. Declarations of conformity and release test reports are available on request for those who need them to certify our product incorporated in their own systems.

The white colour surface finish of the body was chosen to enhance the highly hygienic properties of the product.

Versions with brass threaded inlet and outlet ports and side sockets for pressure gauges and other uses with engineering plastic thread are available. There is also a version with inlet and outlet ports incorporated directly in the engineering plastic body, without requiring further threaded ports for pressure gauges.

If the pressure regulator works with incompressible fluids (water) and there is a valve leak, the downstream pressure could rise up to reach the inlet pressure and then it re-stabilizes with water consumption.

If necessary, consider the possibility of installing a safety valve that relieves any excess pressure.



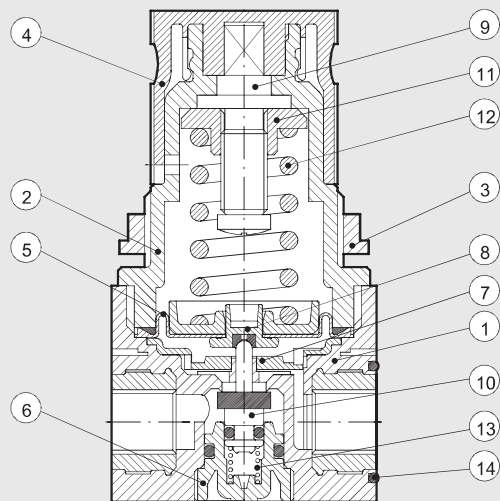
UNITS

bit SERIES F REGULATOR FOR WATER

TECHNICAL DATA	REG BIT F 1/8"	REG BIT F 1/4"
Threaded port	1/8"	1/4"
Setting range	0 to 2; 0 to 4; 0 to 8; 0 to 12	
Max. inlet pressure	1.3 MPa	
	13 bar	
	188 psi	
Flow rate at 6.3 bar (0.63 MPa ÷ 91 psi) ΔP 1 bar (0.1 MPa; 14 psi)	6.5 l/min	7
	0.23 scfm	0.25
Max temperature at 10 bar (1 MPa; 145 psi)	50°	
	122°	
Weight	80 g	
Versions	With 1/8" or 1/4" brass threaded ports and 1/8" pressure gauge port. With 1/4" engineering plastic threaded ports, without pressure gauge ports	
Mounting position	In any position	
Fluid	Water, air and fluids compatible with the materials used	
Notes	The pressure must always be set upwards. For increased sensitivity, use a pressure regulator with a rated pressure as close as possible to the required value.	

COMPONENTS

- ① Body with incorporated threads or threaded inserts
- ② Bell
- ③ Fixing ring nut
- ④ Knob
- ⑤ Rolling diaphragm
- ⑥ Plug
- ⑦ Anti-vibration screen
- ⑧ Plate with gasket
- ⑨ Adjusting screws
- ⑩ Valve gasket
- ⑪ Nut
- ⑫ Adjusting spring
- ⑬ Valve spring
- ⑭ Gaskets

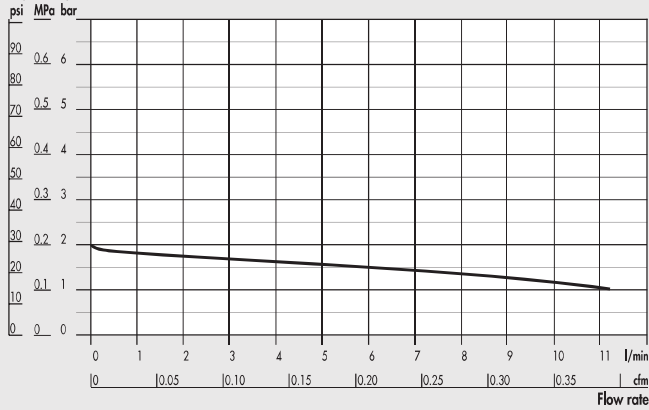


N.B.: For details on the materials used, please refer to the section "general technical data".

FLOW CHARTS

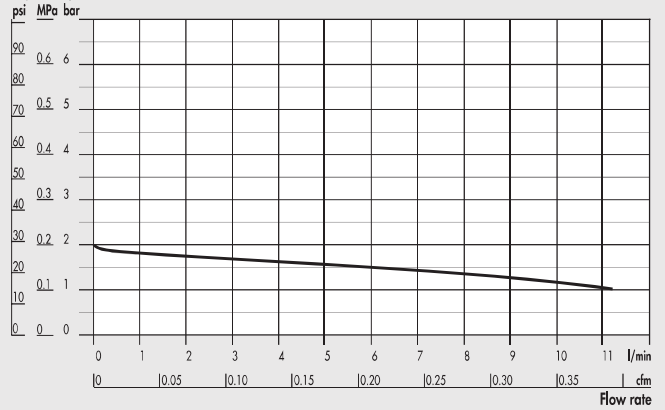
REG BIT F 1/8" 0-2

Pm = 0.9 MPa; 9 bar; 130 psi
Regulated pressure



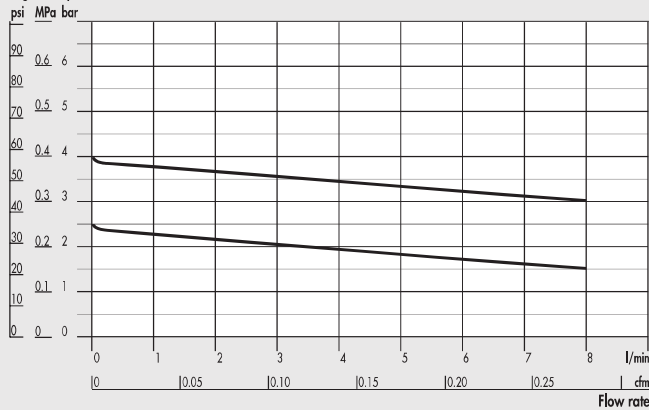
REG BIT F 1/4" 0-2

Pm = 0.9 MPa; 9 bar; 130 psi
Regulated pressure



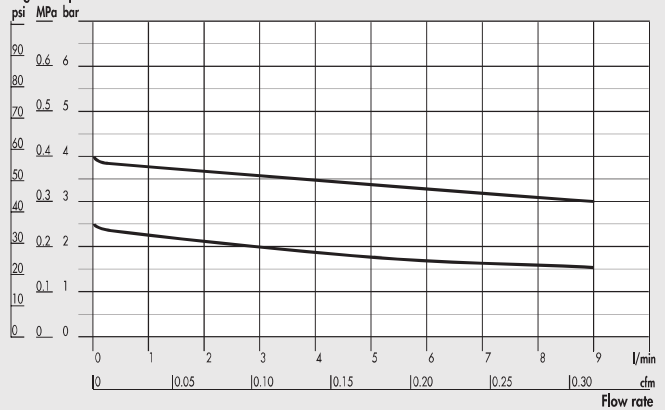
REG BIT F 1/8" 0-4

Pm = 0.9 MPa; 9 bar; 130 psi
Regulated pressure



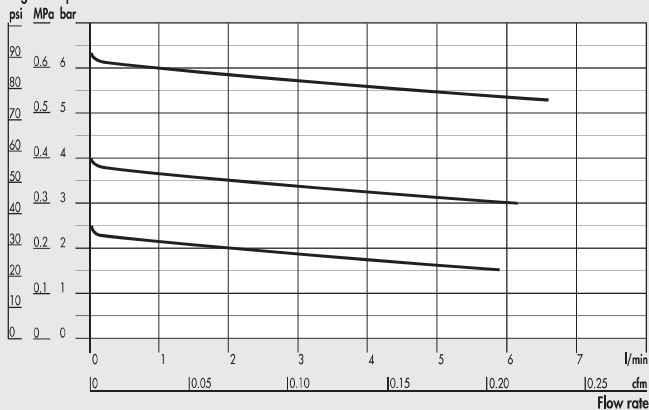
REG BIT F 1/4" 0-4

Pm = 0.9 MPa; 9 bar; 130 psi
Regulated pressure



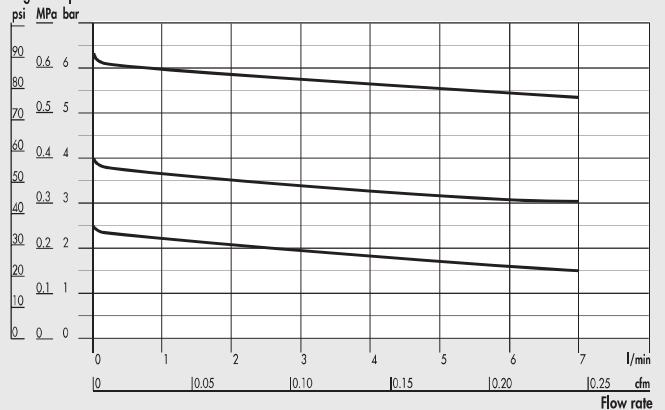
REG BIT F 1/8" 0-8; 0-12

Pm = 0.9 MPa; 9 bar; 130 psi
Regulated pressure



REG BIT F 1/4" 0-8; 0-12

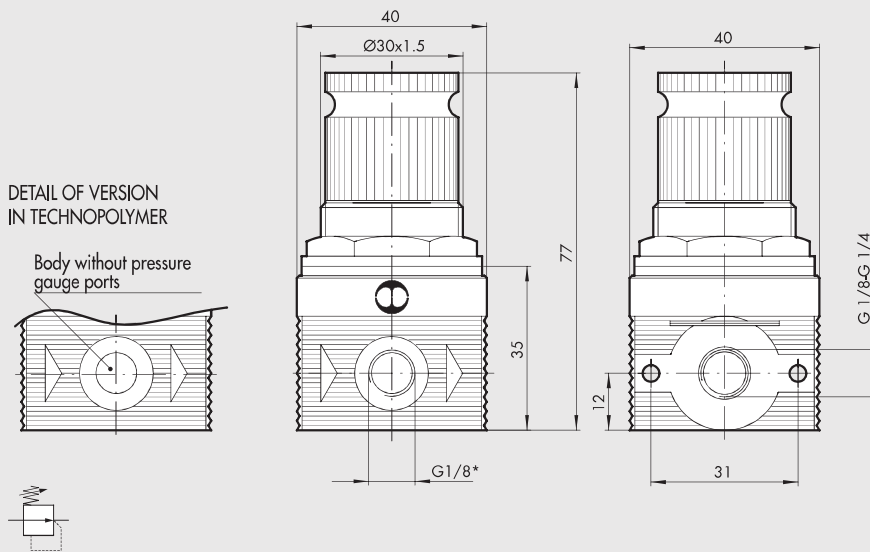
Pm = 0.9 MPa; 9 bar; 130 psi
Regulated pressure



UNITS

bit SERIES F REGULATOR FOR WATER

DIMENSIONS



* Pressure gauge port (not supplied in the technopolymer version)

ORDERING CODES

Code	Description
REGULATOR WITH BRASS PORTS	
5108001F	REG BIT F 1/8 02
5108002F	REG BIT F 1/8 04
5108003F	REG BIT F 1/8 08
5108004F	REG BIT F 1/8 012
5208001F	REG BIT F 1/4 02
5208002F	REG BIT F 1/4 04
5208003F	REG BIT F 1/4 08
5208004F	REG BIT F 1/4 012
REGULATOR WITH TECHNOPOLYMER PORTS **	
5228001F	REG BIT F 1/4 TP 02
5228002F	REG BIT F 1/4 TP 04
5228003F	REG BIT F 1/4 TP 08
5228004F	REG BIT F 1/4 TP 012

** Without pressure gauge ports

NOTES

UNITS

bit SERIES F REGULATOR FOR WATER

bit SERIES F FILTER-REGULATOR FOR WATER



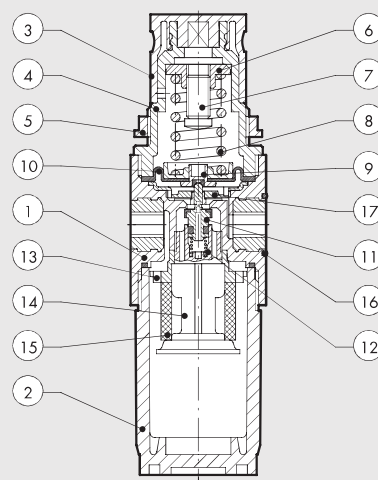
Filter-regulator characterized by the use of materials certified to specific standards on products for use in contact with foodstuff or drinking water. Declarations of conformity and release test reports are available on request for those who need them to certify our product incorporated in their own systems. The white colour surface finish of the body was chosen to enhance the highly hygienic properties of the product. The transparent bowl was designed to make it possible to check the state of the filter cartridge. The transparent bowl was designed to make it possible to check the state of the filter cartridge. Unlike compressed air filters, the bowl has no drain holes. The cartridge filtration degree is 20 µm. If the pressure regulator works with incompressible fluids (water) and there is a valve leak, the downstream pressure could rise up to reach the inlet pressure and then it re-stabilizes with water consumption. If necessary, consider the possibility of installing a safety valve that relieves any excess pressure.



TECHNICAL DATA	FR BIT F 1/8"	FR BIT F 1/4"
Threaded port	1/8"	1/4"
Setting range	bar 0 to 2; 0 to 4; 0 to 8; 0 to 12	
Degree of filtration	µm 20 (white)	
Max. inlet pressure	MPa 1.3	
	bar 13	
	psi 188	
Flow rate at 6.3 bar (0.63 MPa ÷ 91 psi) ΔP 1 bar (0.1 MPa; 14 psi)	l/min 6	6
	cfm 0.21	0.21
Max temperature at 10 bar (1 MPa; 145 psi)	°C 50	
	°F 122	
Weight	g 110	
Mounting position	In any position	
Fluid	Water, air and fluids compatible with the materials used	
Notes	The pressure must always be set upwards. For increased sensitivity, use a pressure regulator with a rated pressure as close as possible to the required value.	

COMPONENTS

- ① Body with threaded inserts
- ② Bowl
- ③ Knob
- ④ Bell
- ⑤ Fixing ring nut
- ⑥ Nut
- ⑦ Adjusting screws
- ⑧ Adjusting spring
- ⑨ Plate with gasket
- ⑩ Rolling diaphragm
- ⑪ Valve
- ⑫ Valve spring
- ⑬ Centrifuge
- ⑭ Baffle plug
- ⑮ Filter cartridge
- ⑯ Gaskets
- ⑰ Anti-vibration screen



N.B.: For details on the materials used, please refer to the section "general technical data".

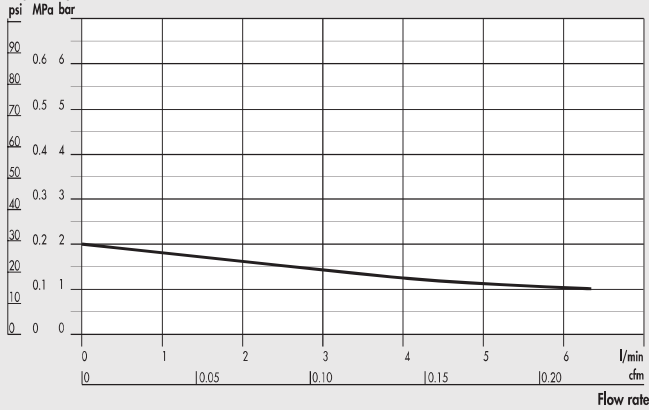
UNITS

bit SERIES F FILTER-REGULATOR FOR WATER

FLOW CHARTS

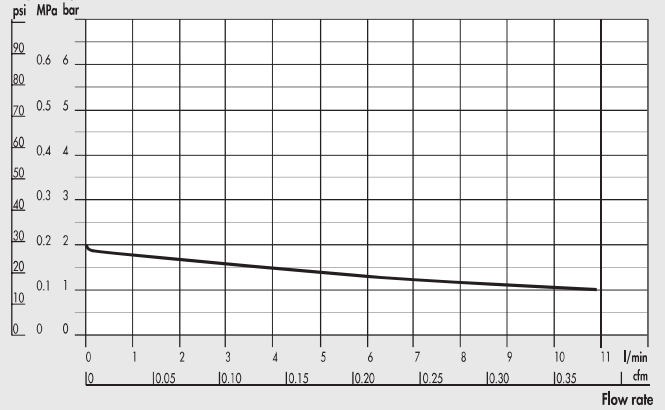
FR BIT F 1/8" O-2

Pm = 0.9 MPa; 9 bar; 130 psi
Regulated pressure



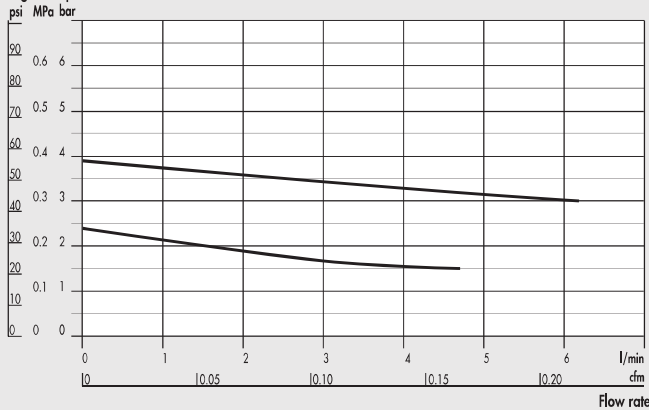
FR BIT F 1/4" O-2

Pm = 0.9 MPa; 9 bar; 130 psi
Regulated pressure



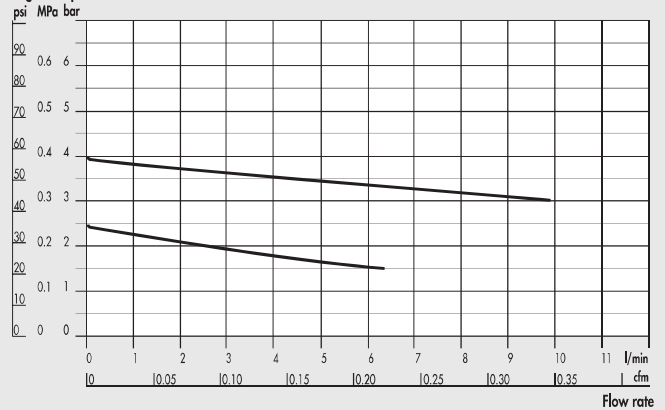
FR BIT F 1/8" O-4

Pm = 0.9 MPa; 9 bar; 130 psi
Regulated pressure



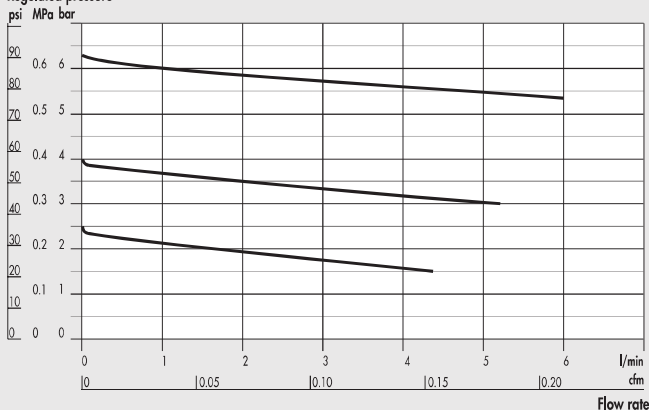
FR BIT F 1/4" O-4

Pm = 0.9 MPa; 9 bar; 130 psi
Regulated pressure



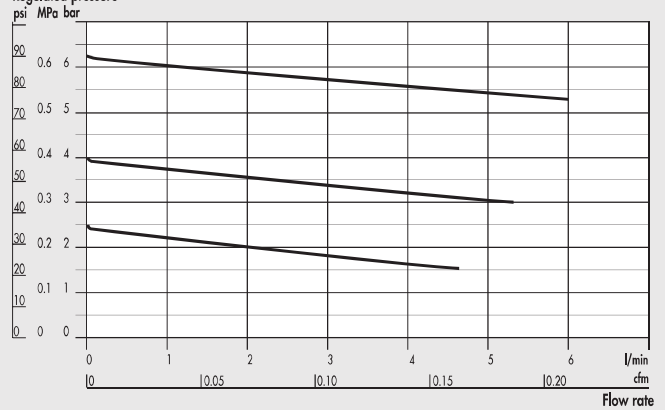
FR BIT F 1/8" O-8; O-12

Pm = 0.9 MPa; 9 bar; 130 psi
Regulated pressure



FR BIT F 1/4" O-8; O-12

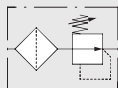
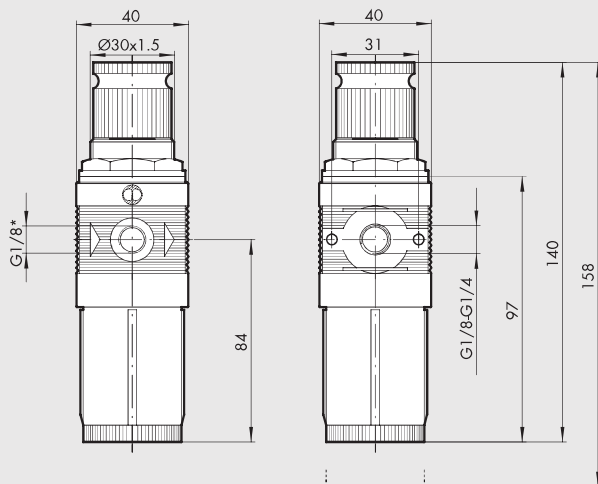
Pm = 0.9 MPa; 9 bar; 130 psi
Regulated pressure



UNITS

bit SERIES F FILTER-REGULATOR FOR WATER

DIMENSIONS



* Pressure gauge port

ORDERING CODES

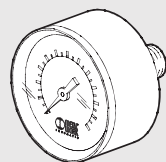
Code	Description
5105102F	FR BIT F 1/8 20 02
5105105F	FR BIT F 1/8 20 04
5105108F	FR BIT F 1/8 20 08
5105111F	FR BIT F 1/8 20 012
5205102F	FR BIT F 1/4 20 02
5205105F	FR BIT F 1/4 20 04
5205108F	FR BIT F 1/4 20 08
5205111F	FR BIT F 1/4 20 012

NOTES

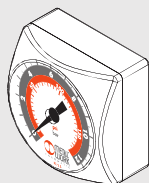
bit ACCESSORIES

ACCESSORIES FOR STANDARD bit AND SERIES F bit FOR WATER

PRESSURE GAUGE



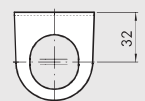
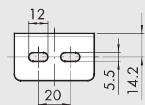
Code	Description
9700102 *	M 40 1/8 04
9700101 *	M 40 1/8 012



Code	Description
9700109 *	M 40x40 1/8 04
9700110 *	M 40x40 1/8 012

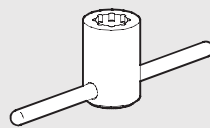
* Cannot be used with water

R/FR FIXING BRACKET



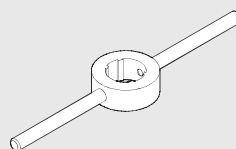
Code	Description
9200701	SF100 - BIT - ND 1/4 - SY1

DOME DISASSEMBLY SPANNER



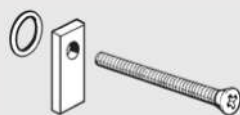
Code	Description
9220701	Cover LUB spanner

COVER DISASSEMBLY SPANNER



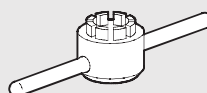
Code	Description
9170401	CS CS BIT

ASSEMBLY PLATE (PAIR)



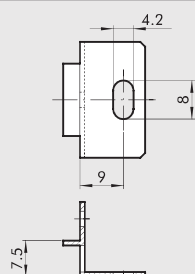
Code	Description
9170201	PAB 1/8 - 1/4 BIT

REDUCER PLUG DISASSEMBLY SPANNER



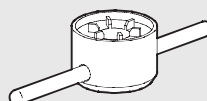
Code	Description
9170501	CS OTR BIT

WALL MOUNTING BRACKET (PAIR)



Code	Description
9170301	SFB 1/8 - 1/4 BIT

BOWL DISASSEMBLY SPANNER



Code	Description
9170601	CS TF - TL BIT - SY1

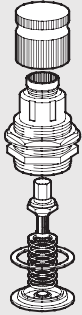
UNITS

bit ACCESSORIES

bit SPARE PARTS

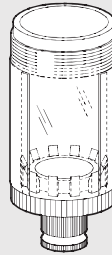
SPARE PARTS FOR STANDARD bit

UPPER COVER FOR MR



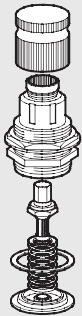
Code	Description
9250805	Spares CS 1/8 1/4 BIT 02
9250806	Spares CS 1/8 1/4 BIT 04
9250807	Spares CS 1/8 1/4 BIT 08
9250808	Spares CS 1/8 1/4 BIT 012

FILTER AND FILTER-REGULATOR BOWL



Code	Description
9255001	Spares TF 1/8 1/4 BIT RMSA
9255101	Spares TF 1/8 1/4 BIT SAC

UPPER COVER FOR MR FC



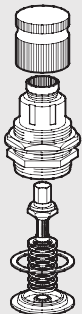
Code	Description
9250817	Spares CS FC 1/8 1/4 BIT 02
9250818	Spares CS FC 1/8 1/4 BIT 04

AUTOMATIC DRAIN (SAC)



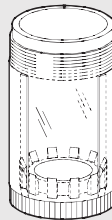
Code	Description
9000803	Spares SAC automatic drain

UPPER COVER FOR MRA



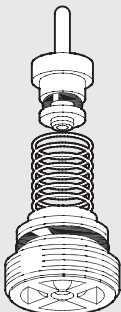
Code	Description
9250809	Spares CSA 1/8 - 1/4 BIT 02
9250814	Spares CSA 1/8 - 1/4 BIT 04
9250815	Spares CSA 1/8 - 1/4 BIT 08
9250816	Spares CSA 1/8 - 1/4 BIT 012

LUBRICATOR BOWL



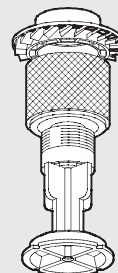
Code	Description
9251402	Spares TL 1/8 1/4 BIT

COMPLETE POPPET FOR MR AND MRA



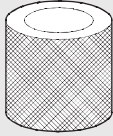
Code	Description
9250705	Spares poppet for MR
9250706	Spares poppet for MR-SR (rapid drain)
9250708	Spares poppet for MRA

FILTER ELEMENT



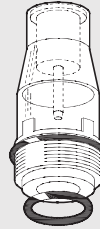
Code	Description
9251708	Spares FP 1/8-1/4 BIT 5 (yellow)
9251709	Spares FP 1/8-1/4 BIT 20 (white)
9251710	Spares FP 1/8-1/4 BIT 50 (blue)

FILTER CARTRIDGE



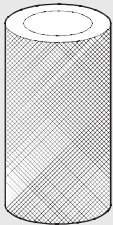
Code	Description
9251808	Spares filter cartridge BIT 5 (yellow)
9251809	Spares filter cartridge BIT 20 (white)
9251810	Spares filter cartridge BIT 50 (blue)

TRANSPARENT LUBRICATOR COVER



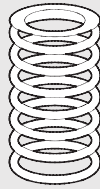
Code	Description
9251302	Spares CVL 100-200-300-400 BIT

DEPURATOR FILTER ELEMENT



Code	Description
9251712	Spares FP DEP. 1/8 1/4 BIT

SPRING FOR MR, FR



Code	Description
9250610	Spares MO 02 BIT
9250611	Spares MO 04 BIT
9250612	Spares MO 08 BIT
9250613	Spares MO 012 BIT

COMPLETE POPPET FOR FR

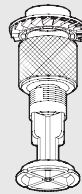


Code	Description
9250905	Spares OTFR 1/8 1/4 BIT 5 (yellow)
9250906	Spares OTFR 1/8 1/4 BIT 20 (white)
9250907	Spares OTFR 1/8 1/4 BIT 50 (blue)

NOTES

SPARE PARTS FOR SERIES F bit FOR WATER

FILTER ELEMENT



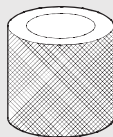
Code	Description
9251709	Spares FP 1/8-1/4 BIT 20 (white)

SPRING FOR REG F, FR F



Code	Description
9250610	Spares MO 02 BIT
9250611	Spares MO 04 BIT
9250612	Spares MO 08 BIT
9250613	Spares MO 012 BIT

FILTER CARTRIDGE



Code	Description
9251809	Spares filter cartridge BIT 20 (white)

NOTES